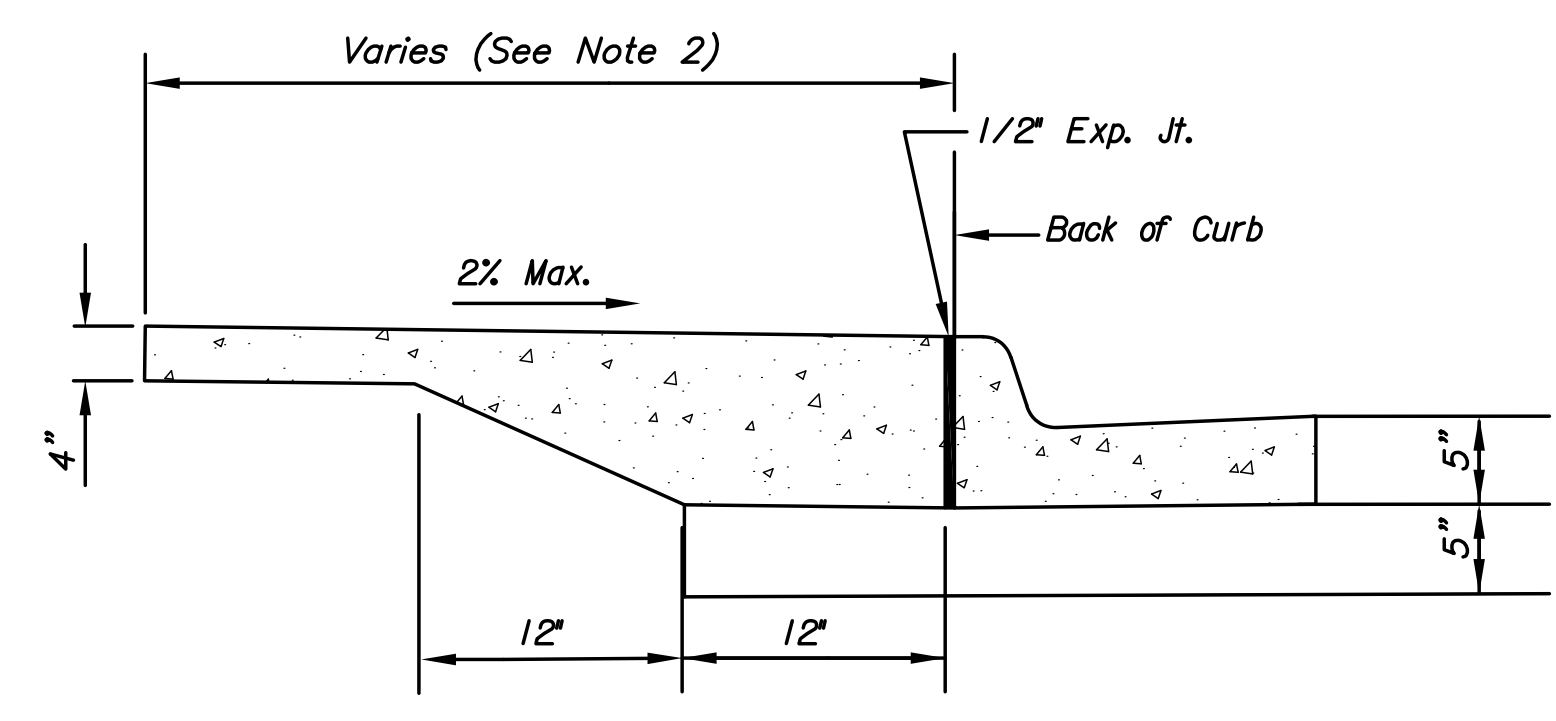


©2015 MKEC Engineering All Rights Reserved  
 These drawings and their contents, including, but not limited to, all concepts, designs, & ideas are the exclusive property of MKEC Engineering (MKEC), and may not be used or reproduced in any way without the express consent of MKEC.

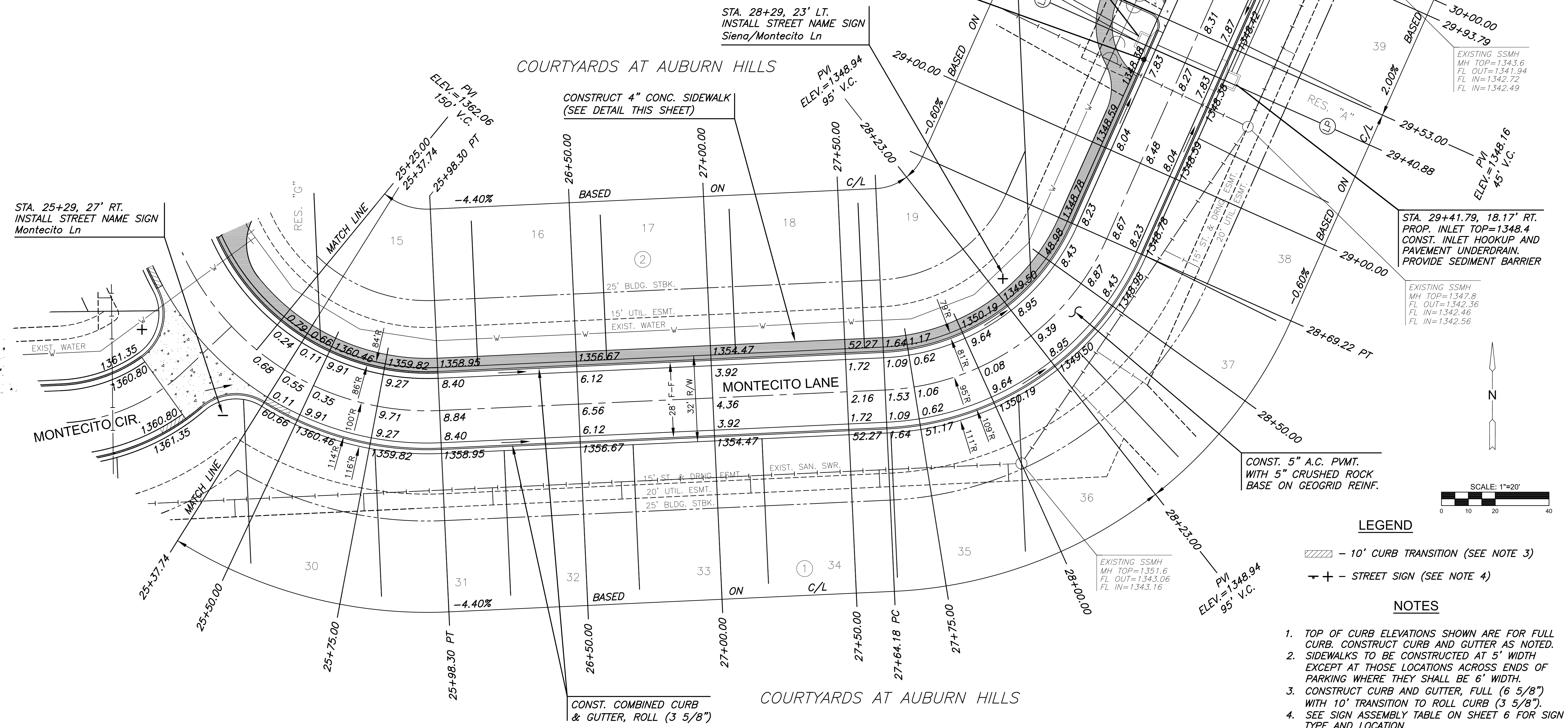
**MONTECITO LANE & SIENA**

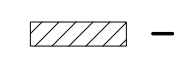

PROJECT NO.	472-85129	
DATE	JULY 2015	
SCALE	1" = 20'	
DESIGNED	DRAWN	CHECKED
DFL	JWC	GJA

NO.	REVISION	DATE



**SIDEWALK SECTION AT BACK-OF-CURB**  
 Note: All Sidewalk at Back of Curb Shall Conform to this Detail.  
 Cost of Thicking Sidewalk Subsidiary to "Concrete Sidewalk, 4"



- LEGEND**
-  - 10' CURB TRANSITION (SEE NOTE 3)
  -  - STREET SIGN (SEE NOTE 4)

- NOTES**
1. TOP OF CURB ELEVATIONS SHOWN ARE FOR FULL CURB. CONSTRUCT CURB AND GUTTER AS NOTED.
  2. SIDEWALKS TO BE CONSTRUCTED AT 5' WIDTH EXCEPT AT THOSE LOCATIONS ACROSS ENDS OF PARKING WHERE THEY SHALL BE 6' WIDTH.
  3. CONSTRUCT CURB AND GUTTER, FULL (6 5/8") WITH 10' TRANSITION TO ROLL CURB (3 5/8").
  4. SEE SIGN ASSEMBLY TABLE ON SHEET 6 FOR SIGN TYPE AND LOCATION.

J:\PROJECTS\2015\1301010292\_PERFECTION\_COURTYARDS\_AT\_AUBURNHILLS\CADD\PAVPHASE 2\10292\_EP-02.DWG  
 PLOTTED: Wednesday, July 29, 2015 @ 10:55AM