

PRIVATE WATER DISTRIBUTION SYSTEM IMPROVEMENTS

TO SERVE

CORNERSTONE OFFICE ADD.

PROJECT NO. 1736PPW

THE CITY OF ANDOVER, BUTLER COUNTY, KANSAS

OCA NO. 607853

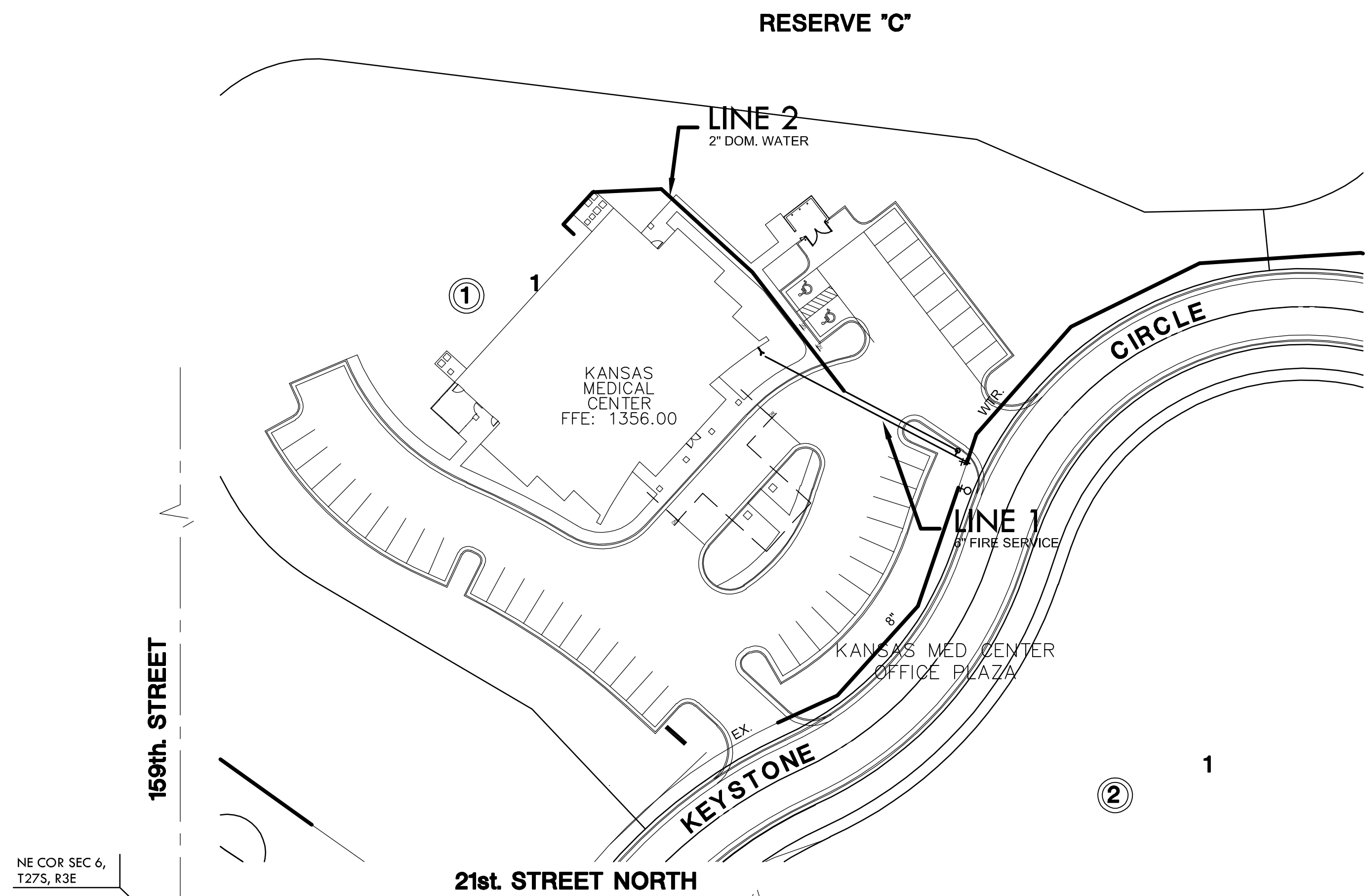
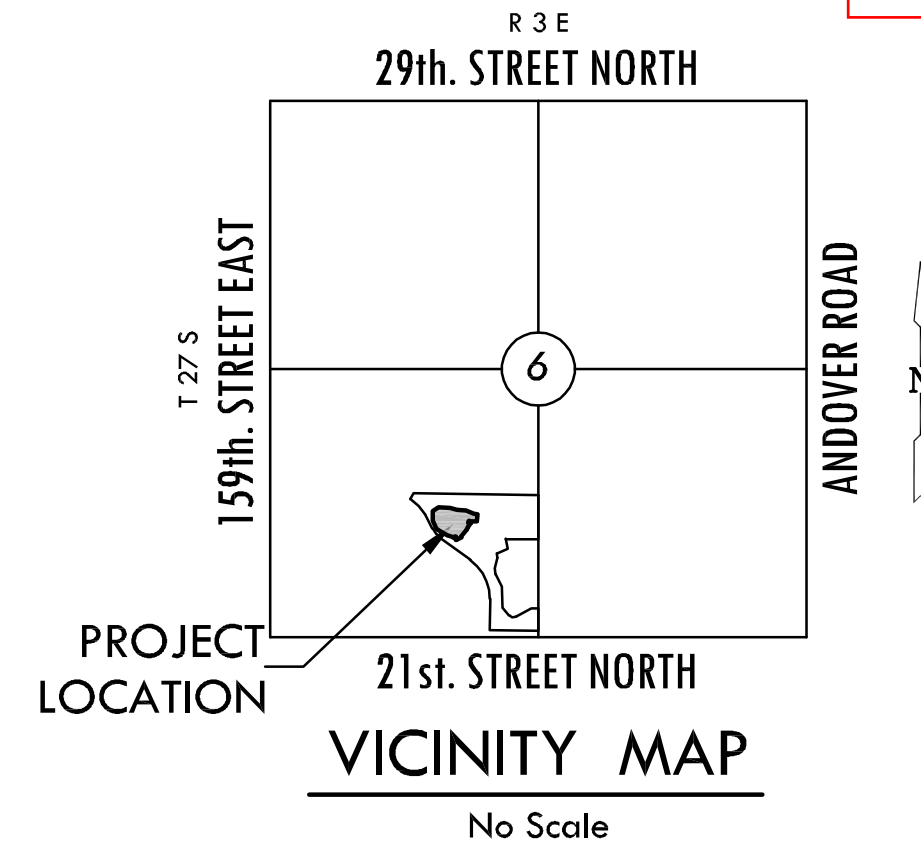
NOT AN AS-BUILT
PROJECT INSTALLED WITHOUT INSPECTION
CONTRACTOR NOT KNOWN

GENERAL NOTES

- ALL WATER MAINS AND APPURTENANCES SHALL BE INSTALLED IN ACCORDANCE WITH CITY OF WICHITA, KANSAS STANDARD SPECIFICATIONS FOR WATER MAIN INSTALLATIONS.
- CONTRACTOR WILL BE REQUIRED TO PROVIDE A MINIMUM ADVANCE NOTICE OF SEVENTY-TWO (72) HOURS TO UTILITY COMPANIES PRIOR TO STARTING ANY EXCAVATION AS FOLLOWS:
KANSAS ONE-CALL OR LOCAL (WICHITA) 1-800-344-7233 687-2470
THE CONTRACTOR MUST NOTIFY THE FOLLOWING IN CASE OF EMERGENCY:
COX COMMUNICATIONS (CABLE) 262-0661
WESTAR (ELECTRIC) 383-8600
KANSAS GAS SERVICE (GAS) 832-3101
SBC (TELEPHONE) 800-870-8390
CITY OF WICHITA WATER & SEWER 262-6000
BLACK HILLS ENERGY (GAS) 800-303-0337
- THE WATER MAIN SHALL BE CONSTRUCTED ON THE ALIGNMENT SHOWN ON THE PLANS. TREES AND SHRUBS IN PUBLIC RIGHT OF WAY WHICH ARE IN DIRECT CONFLICT WITH PROPOSED NEW CONSTRUCTION SHALL BE REMOVED BY THE CONTRACTOR WITH THE ENGINEER'S APPROVAL, AND SHALL BE INCLUDED IN THE PRICE BID FOR THE INSTALLED WATER PIPE. TREES AND SHRUBS WHICH ARE NOT IN DIRECT CONFLICT WITH PROPOSED CONSTRUCTION SHALL BE SAVED AND PROTECTED FROM DAMAGE.
- OPENING AND CLOSING WATER VALVES SHALL BE DONE SLOWLY TO PREVENT DAMAGE TO THE WATER DISTRIBUTION SYSTEM FROM WATER HAMMER. ALL VALVES CLOSED BY THE CONTRACTOR MUST BE REOPENED AS NEW CONSTRUCTION PERMITS. PROJECT INSPECTOR MUST ASCERTAIN THAT ANY VALVE CLOSED BY THE CONTRACTOR IS REOPENED. CONTRACTOR WILL BE PERMITTED TO OPERATE WATER VALVES ONLY WHEN THE PROJECT INSPECTOR ASSIGNED TO THE PROJECT IS PRESENT.
- CONTRACTOR SHALL NOT START WORK ON THE PROJECT UNTIL THE PROJECT INSPECTOR IS ASSIGNED TO THE PROJECT AND IS PRESENT ON THE SITE. ANY WORK DONE WITHOUT INSPECTION WILL BE REQUIRED TO BE UNCOVERED FOR INSPECTION.
- UNDERGROUND UTILITY SERVICE LINES AND OVERHEAD UTILITY POLE LINES ARE TO BE ADJUSTED AS NECESSARY BY OTHERS PRIOR TO CONSTRUCTION UNLESS THE PLANS SPECIFICALLY CALL FOR THEIR ADJUSTMENT BY THE CONTRACTOR. EXISTING UTILITIES AND THEIR LOCATION, AS SHOWN ON THE PLANS, REPRESENT THE BEST INFORMATION OBTAINABLE FOR DESIGN. LOCATION INFORMATION HAS BEEN OBTAINED FROM THE VARIOUS UTILITY COMPANIES AND IS EITHER FROM COMPANY RECORD DRAWINGS OR COMPANY PROVIDED FIELD LOCATIONS. THE CONTRACTOR WILL BE REQUIRED TO WORK AROUND EXISTING UTILITIES WITHIN THE RIGHT-OF-WAY WHICH DO NOT CONFLICT WITH PROPOSED CONSTRUCTION.
- THE CONTRACTOR SHALL GIVE ALL PROPERTY OWNERS AND/OR TENANTS OF DEVELOPED PROPERTY DIRECTLY ADJACENT TO CONSTRUCTION OF THIS PROJECT A MINIMUM OF TEN (10) DAYS NOTICE PRIOR TO START OF CONSTRUCTION.
- THE CONTRACTOR SHALL BE RESPONSIBLE FOR PRESERVING PROPERTY IRONS. THE CONTRACTOR WILL BE REQUIRED TO RE-ESTABLISH ANY PROPERTY IRONS WHICH ARE DAMAGED OR DESTROYED BY HIS CONSTRUCTION OPERATIONS. SUCH IRONS SHALL BE RE-ESTABLISHED BY A LICENSED LAND SURVEYOR IN ACCORDANCE WITH STATE LAWS. ALL COSTS FOR THIS WORK SHALL BE SUBSIDIARY TO SITE RESTORATION.
- THE CONTRACTOR SHALL RESTORE ALL DITCHES, SWALES, ROAD SHOULDERS, ENTRANCES AND BANK LINES TO THEIR ORIGINAL SLOPES AND GRADES EXCEPT AS SHOWN OTHERWISE.
- NO SERVICES WILL BE INSTALLED AS PART OF THIS PROJECT.
- INTERURBAN TRAFFIC GENERATED OUTSIDE THE PROJECT AREA, AND LOCAL BUSINESS OR RESIDENTIAL TRAFFIC GENERATED WITHIN THE PROJECT AREA ARE TO BE CARRIED THROUGH CONSTRUCTION AS FURTHER PROMULGATED BY PROJECT SPECIAL PROVISIONS.
- RUBBLE FROM THE REMOVAL OF MISCELLANEOUS STRUCTURES INCLUDING ANY TREES REMOVED AND TREE TRIMMINGS SHALL BE DISPOSED OF ON SITES TO BE PROVIDED BY THE CONTRACTOR. THESE SITES SHALL BE APPROVED BY THE ENGINEER AS TO SUITABILITY, APPEARANCE AND SITE LOCATION. LOCATIONS THAT, IN THE OPINION OF THE ENGINEER, WILL LEAVE AN UNSIGHTLY APPEARANCE WILL NOT BE APPROVED. ALL DISPOSAL SITES MUST BE APPROVED BY THE KANSAS DEPARTMENT OF HEALTH AND ENVIRONMENT. MATERIAL EITHER STOCKPILED OR DISPOSED OF IN A FLOOD PLAIN WOULD REQUIRE A KANSAS STATE BOARD OF AGRICULTURE PERMIT. ANY MATERIAL DUMPED IN WATERS OF THE UNITED STATES OR WETLANDS IS SUBJECT TO U.S. CORPS OF ENGINEERS PERMITTING REGULATIONS. ANY MATERIAL BURIED OR STOCKPILED BEYOND APPROVED CONSTRUCTION LIMITS WOULD REQUIRE ADDITIONAL ARCHAEOLOGICAL INVESTIGATIONS UNLESS BURIED IN A PREVIOUSLY APPROVED BORROW LOCATION.
- ALL DISTURBED AREAS TO BE SEEDED WITH RYE GRASS AT A RATE OF 200 LBS. PER ACRE WITHIN 10 DAYS OF CONSTRUCTION. CONTRACTOR TO PREPARE GROUND PER CITY SPECIFICATIONS. COST IS SUBSIDIARY TO SITE PREPARATION AND RESTORATION.
- THE CONTRACTOR SHALL LAY A TRACER WIRE & SET TEST STATIONS ALONG ALL WATER LINE PIPE INSTALLED IN ACCORDANCE WITH CITY OF WICHITA SPECIFICATIONS & TRACER WIRE DETAIL ON DETAIL SHEET. COST IS SUBSIDIARY TO PIPE INSTALLATION.
- CONTRACTOR TO COORDINATE CONSTRUCTION OF WATERLINE WITH OTHER CONSTRUCTION ACTIVITIES ON SITE. THIS INCLUDES SANITARY SEWER AND MASS GRADING PROJECTS.
- WORK DONE UNDER THIS PROJECT IS SUBJECT TO THE CITY OF WICHITA REQUIREMENTS FOR "CONSTRUCTION OF INFRASTRUCTURE IMPROVEMENTS BY PRIVATE CONTRACT." THE CONTRACTOR SHALL BE FAMILIAR AND COMPLY WITH ALL OF THE REQUIREMENTS, INCLUDING BONDING, INSPECTION, TESTING, NOTIFICATION, PROVIDING AS-BUILT DRAWINGS, PAYING FOR ALL NECESSARY CONNECTIONS AND/OR STREET REPAIR FEES AND PROVIDING PIPE MATERIAL AND OTHER CERTIFICATIONS.

INDEX TO DRAWINGS

SHEET NO.	DESCRIPTION
1	TITLE SHEET
2	WATER DETAILS
3	WATER LINE PLAN & PROFILE



APPROVED AS NOTED
BY CITY ENGINEER OF WICHITA,
BY WICHITA WATER & SEWER DEPARTMENT,
& BY WICHITA FIRE DEPARTMENT

Water Mains (Public Works) *Julianne Kallman 4-18-13*

Water Mains (Water & Sewer Dept.) *Flaeg Tolly 4-18-13*

Fire Prot. Line (Fire Dept.) *N/A*

NOTE TO CONTRACTORS

Public Property:
Inspection and testing for the waterline is to be provided by a Licensed Consulting Engineering Firm under contract with the Owner/Developer. Said inspection to be in accordance with the City of Wichita Standard Construction Engineering Practices and certified by a Professional Engineer licensed in the state of Kansas. No work shall be performed in dedicated easements or public rights-of-way by the Contractor without such inspection, nor shall any work be commenced without written authorization by the City Engineer. All construction and materials shall comply with the City of Wichita Specifications and Standards (on file and available in the City Engineer's Office).

Private Property:
Installation and testing for the fire protection line is to be performed by a City of Wichita Licensed Fire Protection Contractor in accordance with the fire codes as adopted by the City of Wichita. All materials and construction practices for the fire protection line shall comply with the fire codes as adopted by the City of Wichita (available from the City of Wichita Fire Department). The Contractor shall not commence work without notification to and approval of the Wichita Fire Department. Inspection of the fire protection line is to be provided by a licensed engineering firm under contract with the Owner/Developer and the Fire Department. The contractor shall not start work until the project inspector is assigned to the project and present on the site. Any work done without inspection will be required to be uncovered for inspection.

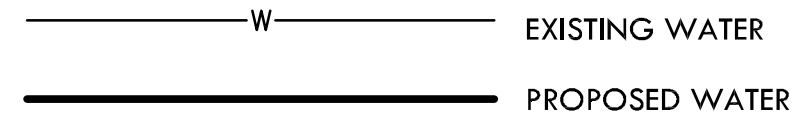
LOT 1 LEGAL DESCRIPTION

LOT 1, BLOCK 1, CORNERSTONE OFFICE PARK FINAL P.L.D. AN ADDITION TO BUTLER COUNTY, KANSAS.

BENCHMARKS

- BM #1 CHISELED SQUARE ON TOP OF EAST CURB OF KEYSTONE PARKWAY NEAR SOUTH LIGHT POLE OF 3 LIGHT POLES, 560' +/- NORTH OF CENTERLINE OF 21ST STREET. ELEV.=1352.63 NGVD 29
- BM #2 CHISELED SQUARE ON TOP OF EAST CURB OF KEYSTONE PARKWAY NEAR MIDDLE LIGHT POLE OF 3 LIGHT POLES, 560' +/- NORTH & 543' +/- NORTHWESTERLY OF CENTERLINE OF 21ST STREET. ELEV.=1352.89 NGVD 29

LEGEND



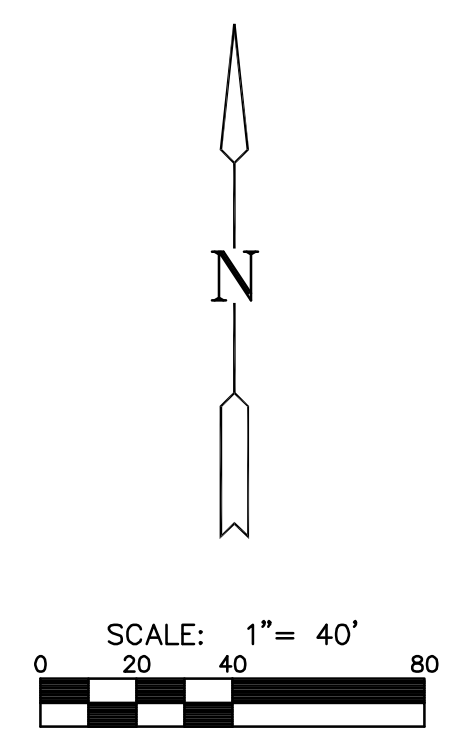
NOTE: ALL LINES TO BE INSTALLED BY OTHERS ARE SUBJECT TO OCI REVIEW

NOTE: CONTRACTOR TO VERIFY DEPTH AND LOCATION OF EXISTING UTILITIES PRIOR TO CONSTRUCTION.

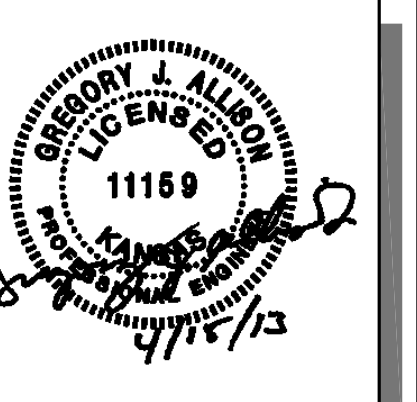
CONTROL POINTS

CP #	NORTHING	EASTING	DESC.
CP #1	1700164.77	1704633.64	1/2" BAR W/ PEC CAP
CP #2	1701432.36	1704604.98	60D NAIL W/ PEC CAP IN HEDGE STUMP
CP #3	1701007.43	1703702.99	5/8" BAR W/ PEC CAP
CP #4	1700816.78	1703984.63	1/2" BAR W/ PEC CAP
CP #5	1700454.98	1704177.98	5/8" BAR W/ PEC CAP

NOTE:
WATER LINE VALVES TO BE OPERATED BY CONTRACTOR ONLY IF WATER INSPECTOR IS ON SITE.



MKEC
ENGINEERING
CONSULTANTS, INC.
411 N. WEBB ROAD
WICHITA, K.S. 67206
316-684-9600



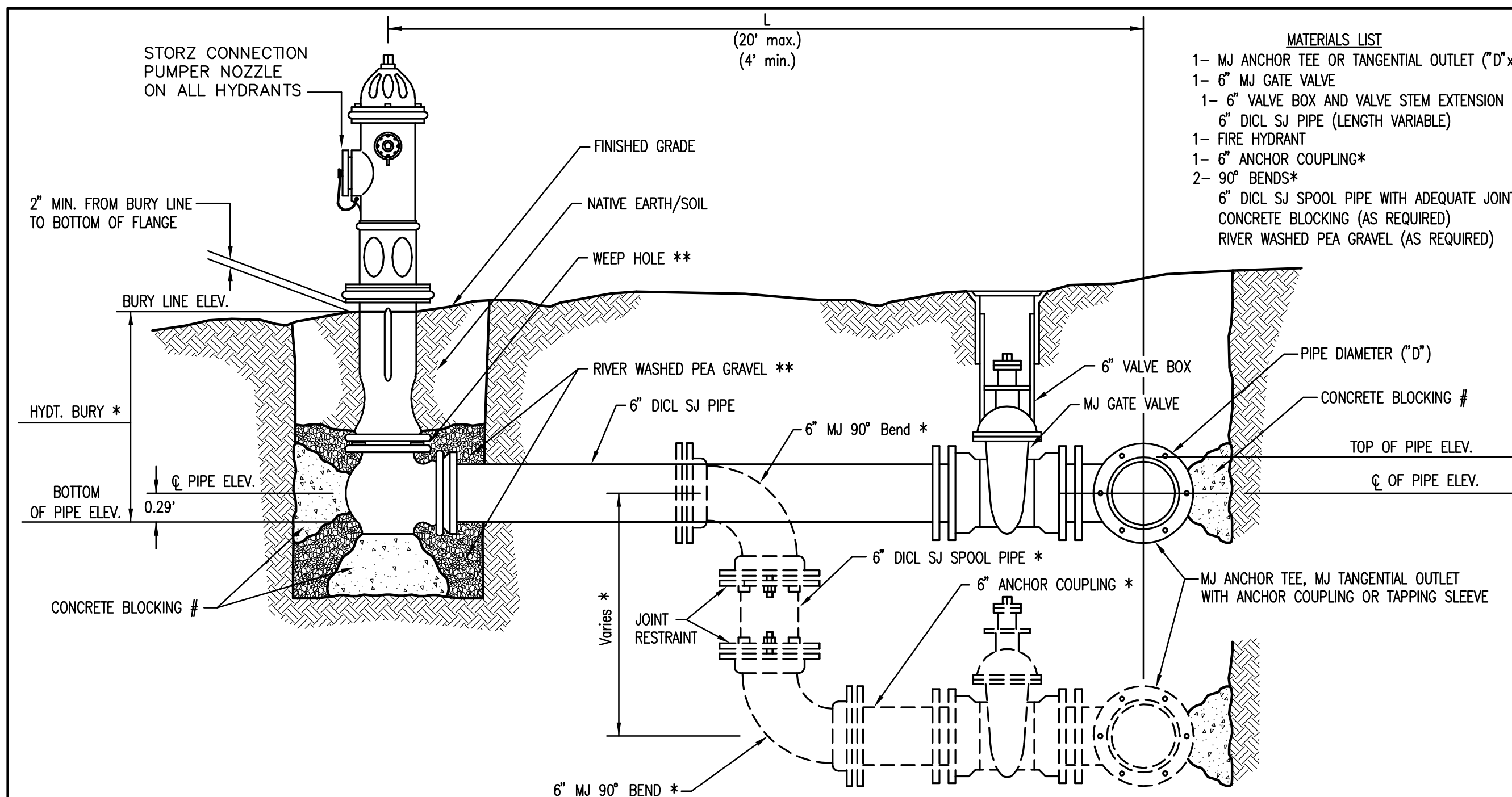
PRIVATE WATER DISTRIBUTION PLANS FOR
CORNERSTONE OFFICE ADD.
KANSAS MEDICAL CENTER

TITLE SHEET
SHEET TITLE
1736PPW
PROJECT NUMBER

SPE	SPE	GJA
DESIGNED	DRAWN	CHECKED

ISSUED
April 2013
REVISED

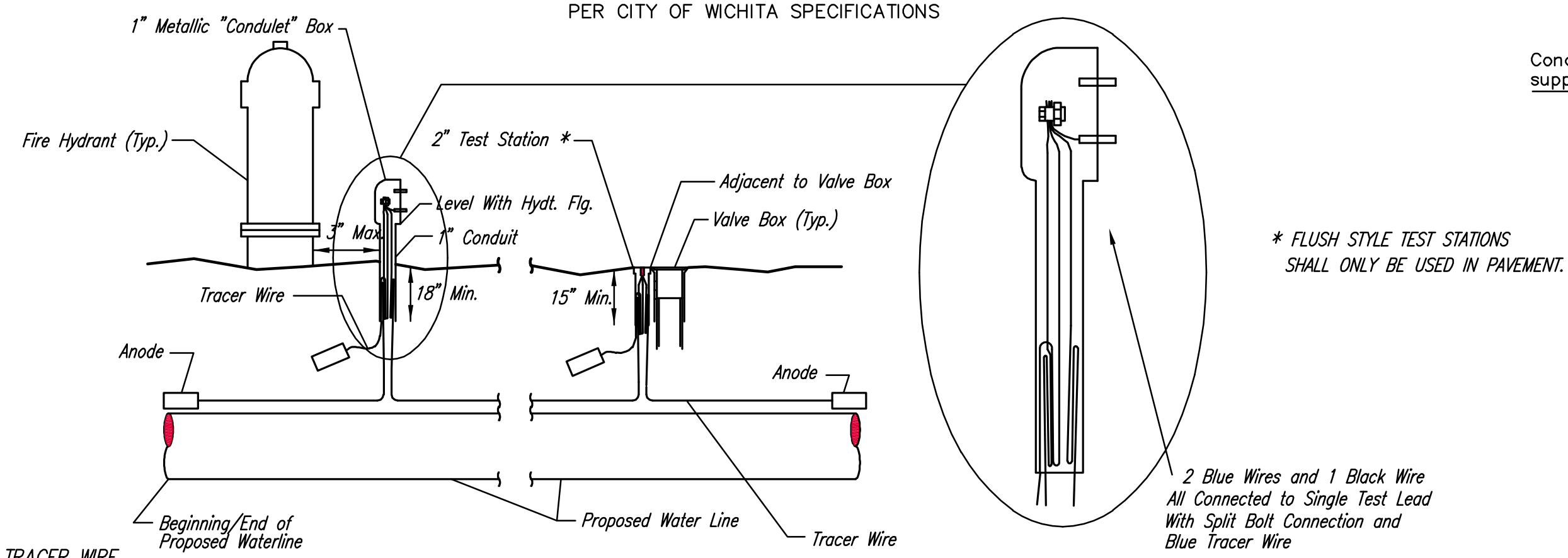
SHEET NO.
1 of 3



- MATERIALS LIST**
- 1- MJ ANCHOR TEE OR TANGENTIAL OUTLET (6" x 6")
 - 1- 6" MJ GATE VALVE
 - 1- 6" VALVE BOX AND VALVE STEM EXTENSION IF REQUIRED *
 - 6" DI CL SJ PIPE (LENGTH VARIABLE)
 - 1- FIRE HYDRANT
 - 1- 6" ANCHOR COUPLING*
 - 2- 90° BENDS*
 - 6" DI CL SJ SPOOL PIPE WITH ADEQUATE JOINT RESTRAINT *
 - CONCRETE BLOCKING (AS REQUIRED)
 - RIVER WASHED PEA GRAVEL (AS REQUIRED)

- * IF THE REQUIRED HYDRANT BURY IS IN EXCESS OF 5', BUT LESS THAN 7', CONTRACTOR SHALL USE STANDARD 5' HYDRANT BURY AND HYDRANT BARREL EXTENSIONS AS NECESSARY. IF THE REQUIRED HYDRANT BURY IS GREATER THAN 7', CONTRACTOR SHALL USE 5' HYDRANT BURY, 2-MJ 90° BENDS, 6" ANCHOR COUPLING AND 6" DI CL SPOOL PIPE AS NECESSARY FOR VERTICAL ADJUSTMENT. THE CONTRACTOR SHALL PROVIDE ADEQUATE THRUST BLOCKING AT HYDRANT AND MEGALUGS, ROD AND LUG OR SIMILAR RESTRAINT BETWEEN 90° BENDS TO SECURE ALL FITTINGS DURING TESTING AND OPERATION. THE CONTRACTOR SHALL PROVIDE A VALVE STEM EXTENSION PER DETAIL THIS SHEET.
- ** CAUTION WEEP HOLES TO BE KEPT CLEAR DURING CONSTRUCTION AND BACKFILL. CONCRETE FOR THRUST BLOCKING SHALL NOT OBSTRUCT WEEP HOLES. PLACE 1 CUBIC FOOT OF RIVER WASHED PEA GRAVEL AROUND EACH WEEP HOLE.
- # CONCRETE THRUST BLOCKING SHALL BE KEPT CLEAR OF BOLTS, NUTS, AND MJ ACCESSORIES.

FIRE HYDRANT ASSEMBLY
PER CITY OF WICHITA SPECIFICATIONS



TRACER WIRE
Conductive type pipe locator/tracer wire shall be installed to locate all waterline pipe regardless of pipe material. The wire shall extend the entire length of the proposed pipe. The wire shall be taped to the waterline and pulled with the pipe. Split-bolt connectors shall be used at splice locations. Electrical tape shall cover all splices so no bare wire is exposed. Test stations shall be installed adjacent to all fire hydrants along the waterline and at blowoffs or valves near the ends of the waterlines. Any exceptions to the location of test stations shall be approved by the engineer. At each test station, the tracer wire shall be connected to a 3 lb. Zinc or magnesium anode. Anodes shall also be attached to the tracer wire at both the beginning and the end of the proposed waterline. A typical layout of the tracer wire and test station is provided in the above figure.

WIRE
The tracer wire shall be Blue No. 12 THHN annealed soft copper wire with thermal plastic insulation or Blue No. 12 AWG CCS with 30 mil HDPE insulation. The insulation shall be heat, oil, and gasoline resistant as manufactured by Temple Electric or approved equal. To allow for grade adjustment, a minimum of 12" of excess wire shall be coiled at the bottom of the test station for all wires. The insulation sheathing shall be removed such that 1" bare copper wire at all points of connection. Contractor shall attach wire being installed with proposed water main to any tracer wire installed with adjacent waterline projects.

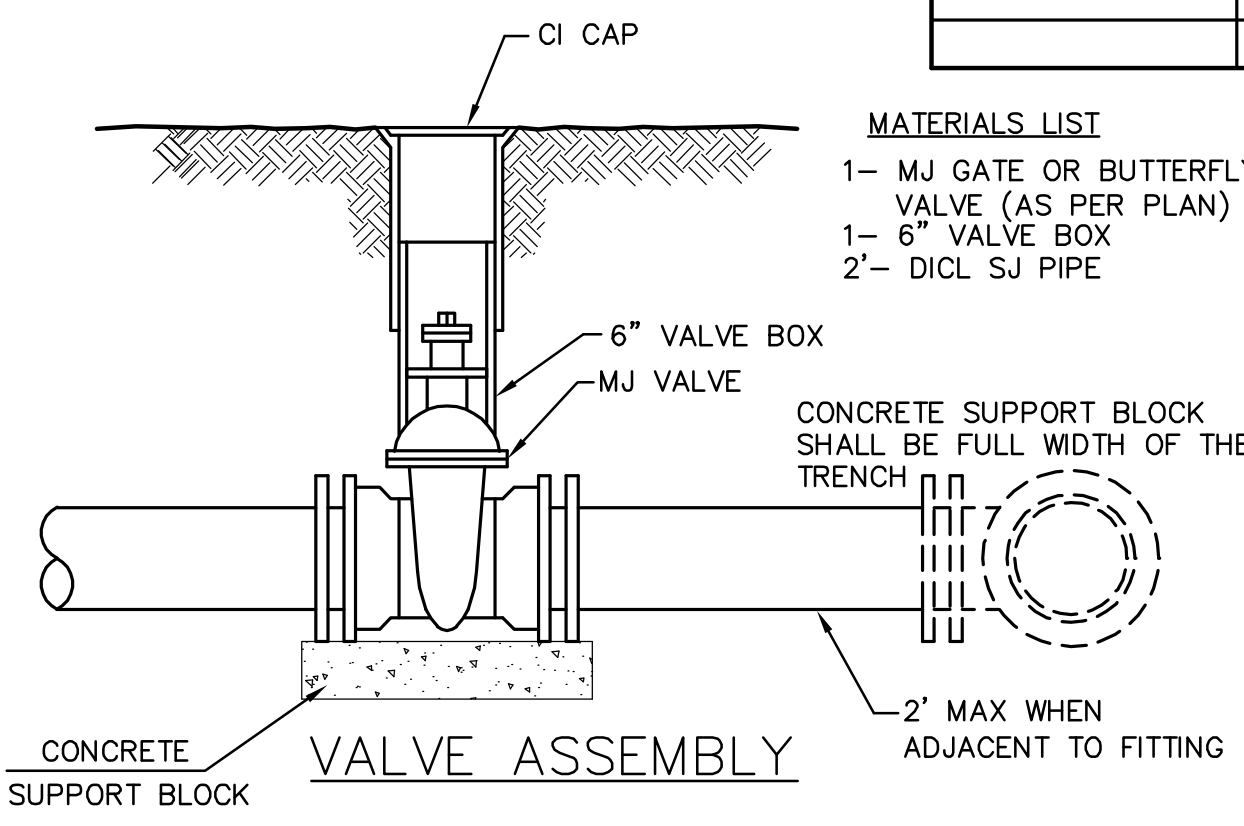
TEST STATIONS
The test station for fire hydrant applications shall be a 1 inch galvanized "condulet" style test station as manufactured by AGRA Industries with a removable solid cover having two leads extending from the face or approved equal. The test station for valve applications shall be 2 inch flush style test station T2PS3B as manufactured by HANDLEY Industries or approved equal. The "condulet" style test station shall be attached to a 1 inch rigid galvanized conduit with a minimum length of 36" and plastic end bushing. The flush style shall have the word "WATER" stamped or molded into the lid. All test stations shall be manufactured using molded blue tops or sufficiently coated with blue enamel paint. The tracer wire and the anode wire shall be installed to allow 10 inches of wire within the test station. In concrete environments such as sidewalks or in the downtown area the contractor shall use the flush style test station. The location of all test stations shall be approved by the engineer, recorded, and shown in the as-built drawings.

ANODES
The anodes shall be 3 lb. bare zinc or magnesium. The anodes shall be buried at the same elevation as the waterline at each test station. The anodes shall be connected to Black No. 12 THHN annealed soft copper wire which shall be extended to the test station.

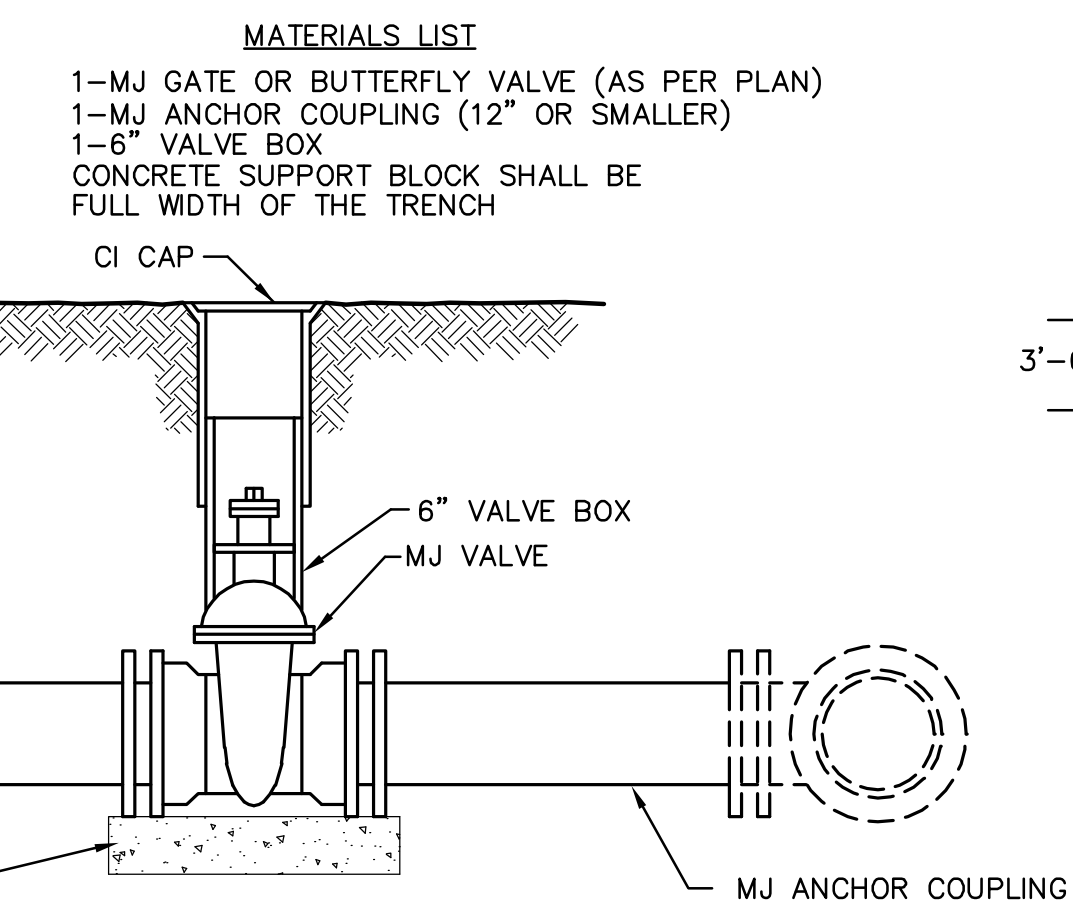
TRACER WIRE DETAIL
COST IS SUBSIDIARY TO PIPE INSTALLATION

FIRE HYDRANTS REQUIRED

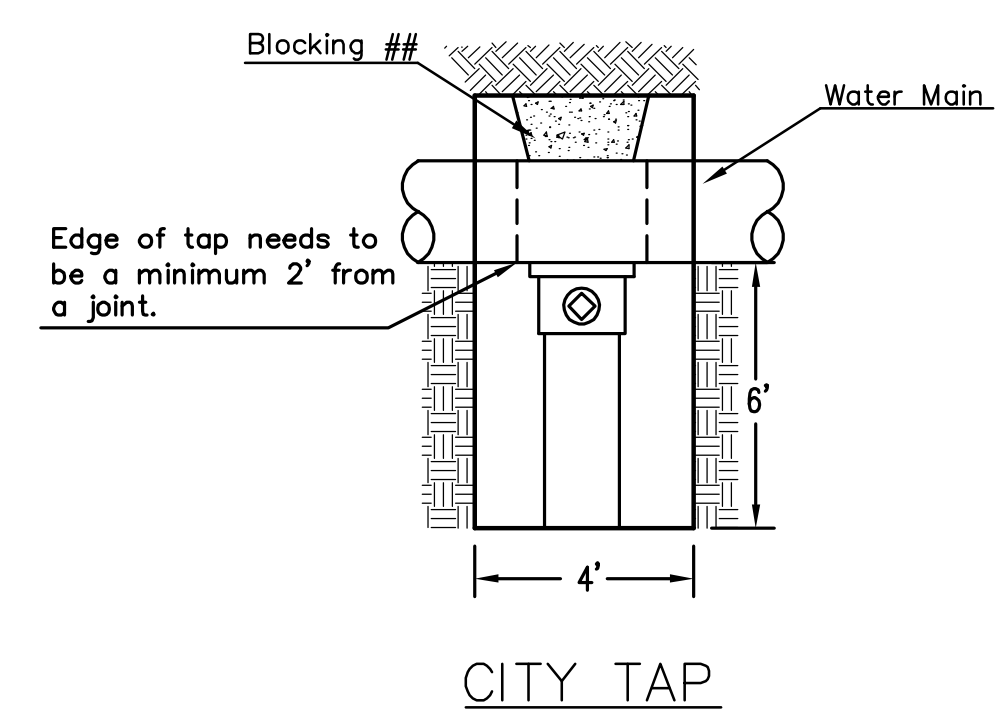
STATION	BURY LINE ELEVATION	TOP OF PIPE ELEVATION	FIRE HYDRANT BURY REQUIRED*	VALVE STEM EXT. REQUIRED (ft)*



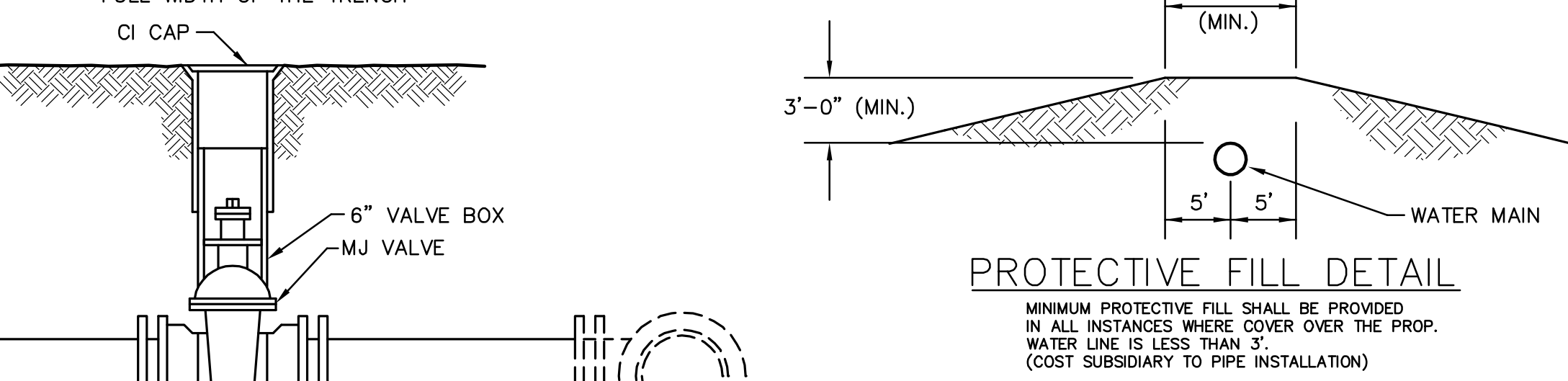
- MATERIALS LIST**
- 1- MJ GATE OR BUTTERFLY VALVE (AS PER PLAN)
 - 1- 6" VALVE BOX
 - 2- DI CL SJ PIPE



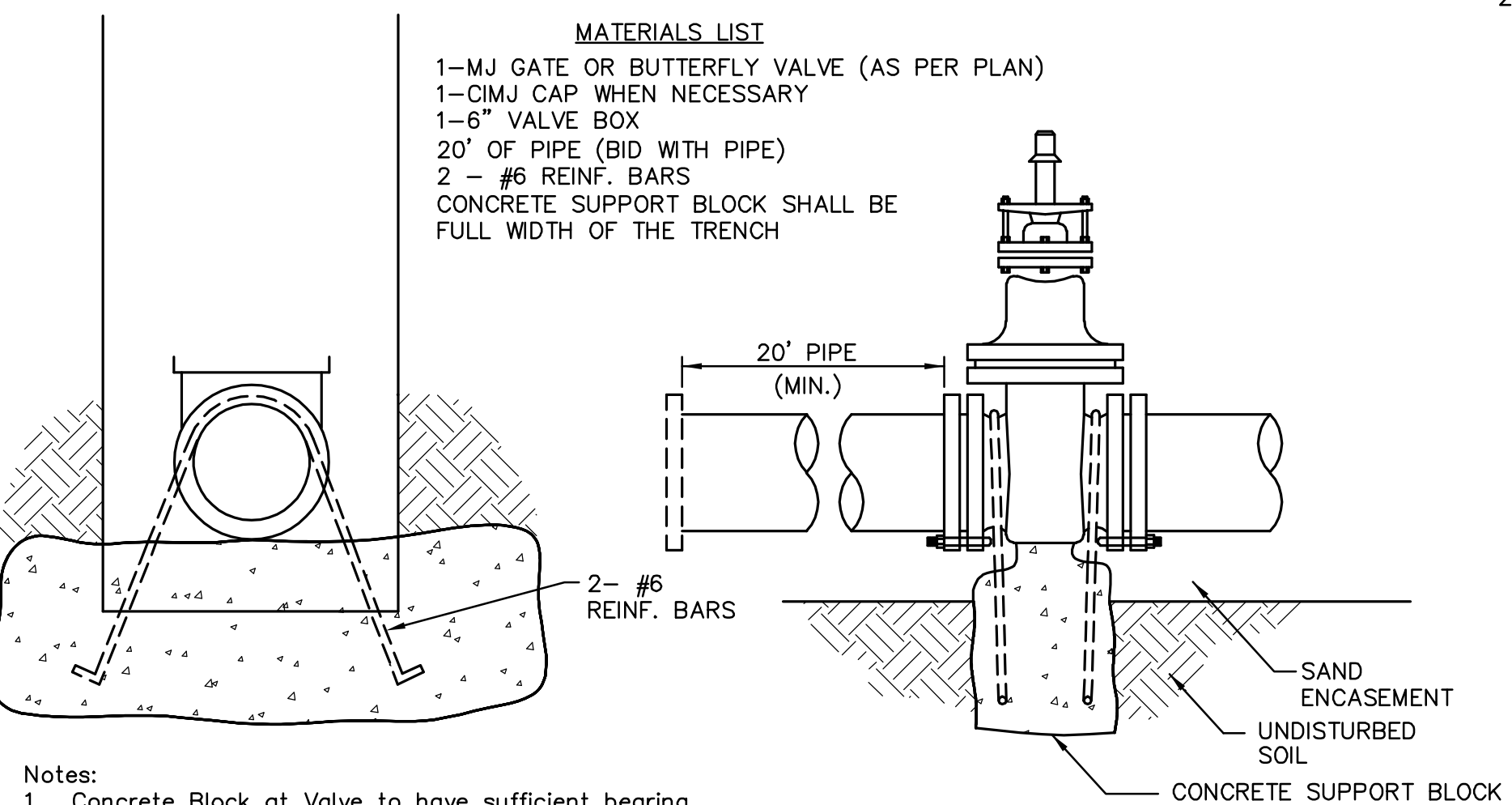
- MATERIALS LIST**
- 1-MJ GATE OR BUTTERFLY VALVE (AS PER PLAN)
 - 1-MJ ANCHOR COUPLING (12" OR SMALLER)
 - 1-6" VALVE BOX
 - CONCRETE SUPPORT BLOCK SHALL BE FULL WIDTH OF THE TRENCH



When the City of Wichita makes tap, blocking is to be done by Contractor



ANCHORED VALVE ASSEMBLY, SPECIAL

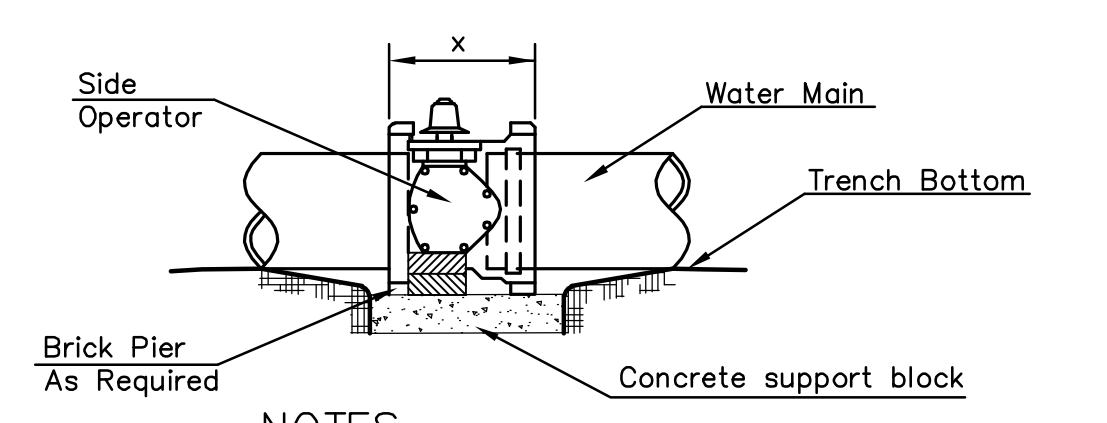


- MATERIALS LIST**
- 1-MJ GATE OR BUTTERFLY VALVE (AS PER PLAN)
 - 1-CIMJ CAP WHEN NECESSARY
 - 1-6" VALVE BOX
 - 20' OF PIPE (BID WITH PIPE)
 - 2- #6 REINF. BARS
 - CONCRETE SUPPORT BLOCK SHALL BE FULL WIDTH OF THE TRENCH

Notes:
1. Concrete Block at Valve to have sufficient bearing in undisturbed soil to prevent thrust movement as shown in table at right. Field Engineer to determine thrust loading of undisturbed soil and final size of thrust block.
2. The thrust block shall be constructed such that bolts, nuts, and other MJ accessories are kept clear of concrete.
3. All valves at dead ends and at other locations as called out on the plans shall be blocked as shown here.

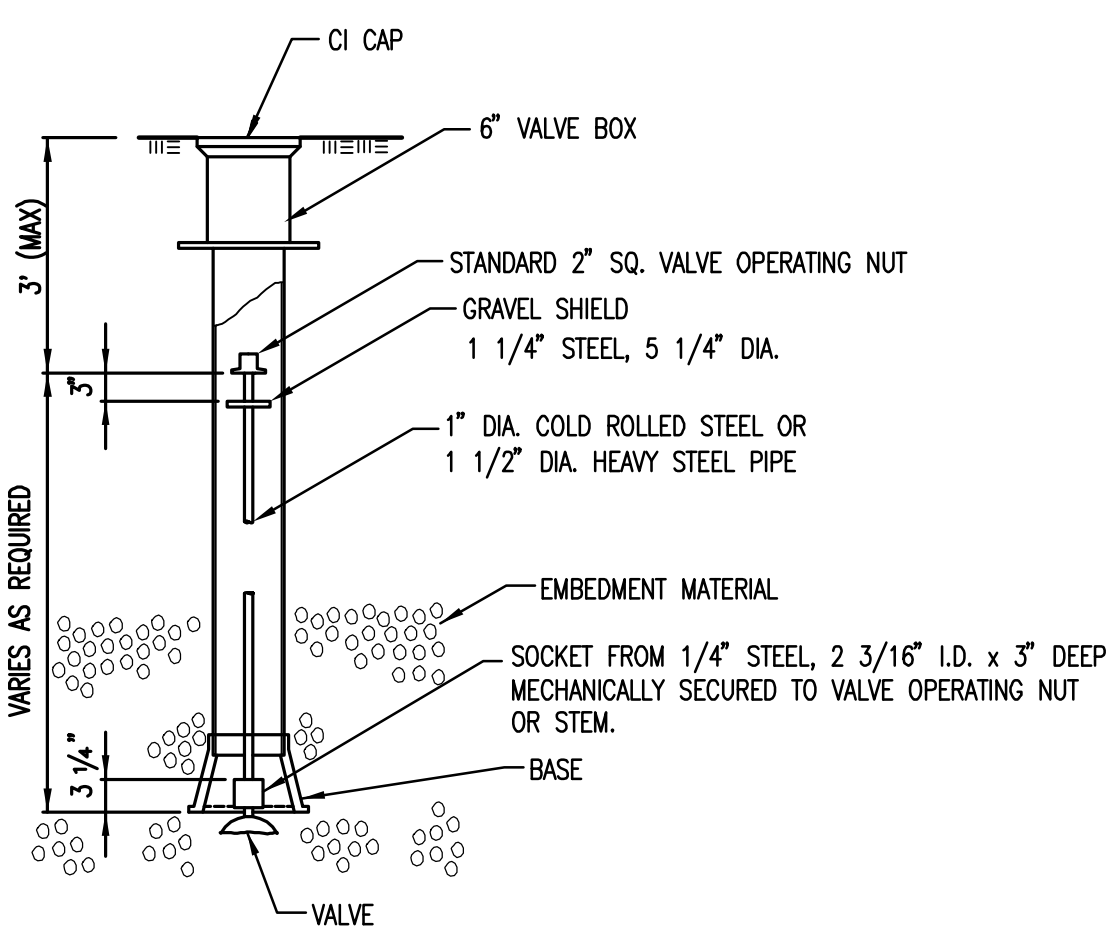
THRUST AT VALVES

VALVE	THRUST AT 150 #/in ²
4"	1809 lbs.
6"	4245 lbs.
8"	7540 lbs.
12"	16965 lbs.

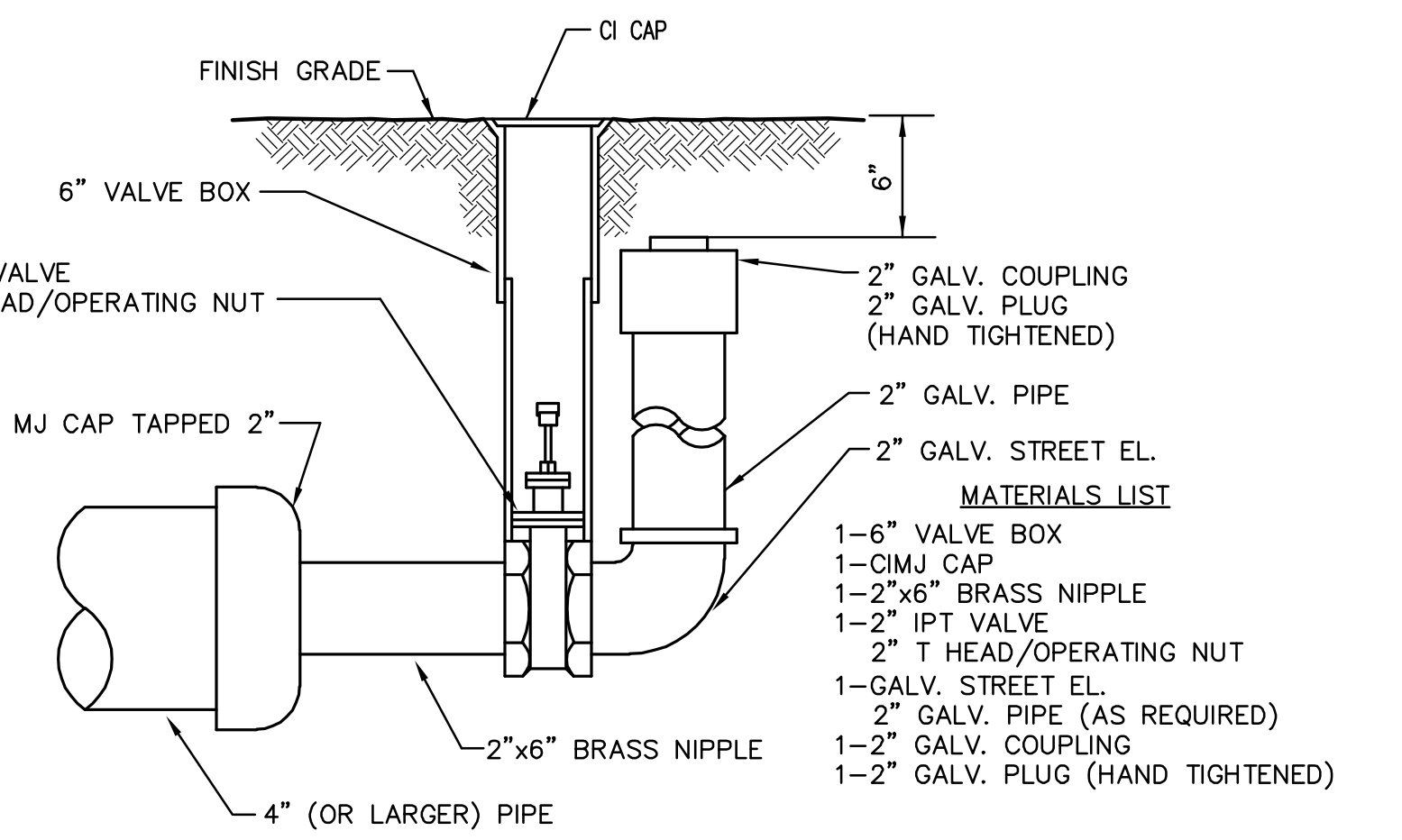


CONCRETE SUPPORT BLOCKING FOR BUTTERFLY VALVE INSTALLATION

NOTES
1. This detail covers Butterfly Valve installation, inclusive, regardless of type of pipe or joint used. 24" and larger lines to be detailed on plans.
2. 6" Valve Box and Cover required per City of Wichita Std. Specifications.
3. Conc. Support Block to be full width of trench.



VALVE STEM EXTENSION DETAIL
NOTE: ONE VALVE STEM EXTENSION FOR EACH VALVE BURIED GREATER THAN 5'.



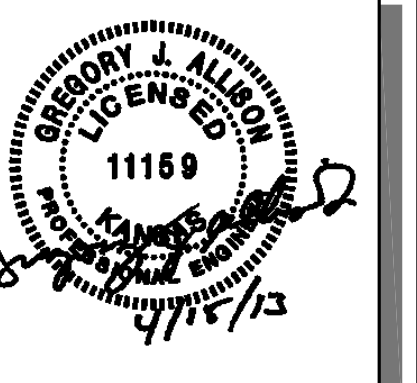
- MATERIALS LIST**
- 1-6" VALVE BOX
 - 1-CIMJ CAP
 - 1-2"x6" BRASS NIPPLE
 - 1-2" IPT VALVE
 - 2" T HEAD/OPERATING NUT
 - 1-GALV. STREET EL.
 - 2" GALV. PIPE (AS REQUIRED)
 - 1-2" GALV. COUPLING
 - 1-2" GALV. PLUG (HAND TIGHTENED)

2" BLOWOFF ASSEMBLY

CITY OF WICHITA
PUBLIC WORKS & UTILITIES ENGINEERING DIVISION

STANDARD WATER ASSEMBLY DETAIL
CITY ENGINEER
GARY JANZEN, P.E.

PROJECT NUMBER 1736PPW	OCA NUMBER 607853	DATE 08/2012
CITY ENGINEER'S OFFICE CITY HALL - SEVENTH FLOOR 455 NORTH MAIN STREET WICHITA, KANSAS 67202-1620 (316) 268-4501		DESIGN DRAWN
SHEET		2 of 3



PRIVATE WATER DISTRIBUTION PLANS FOR
CORNERSTONE OFFICE ADD.
KANSAS MEDICAL CENTER

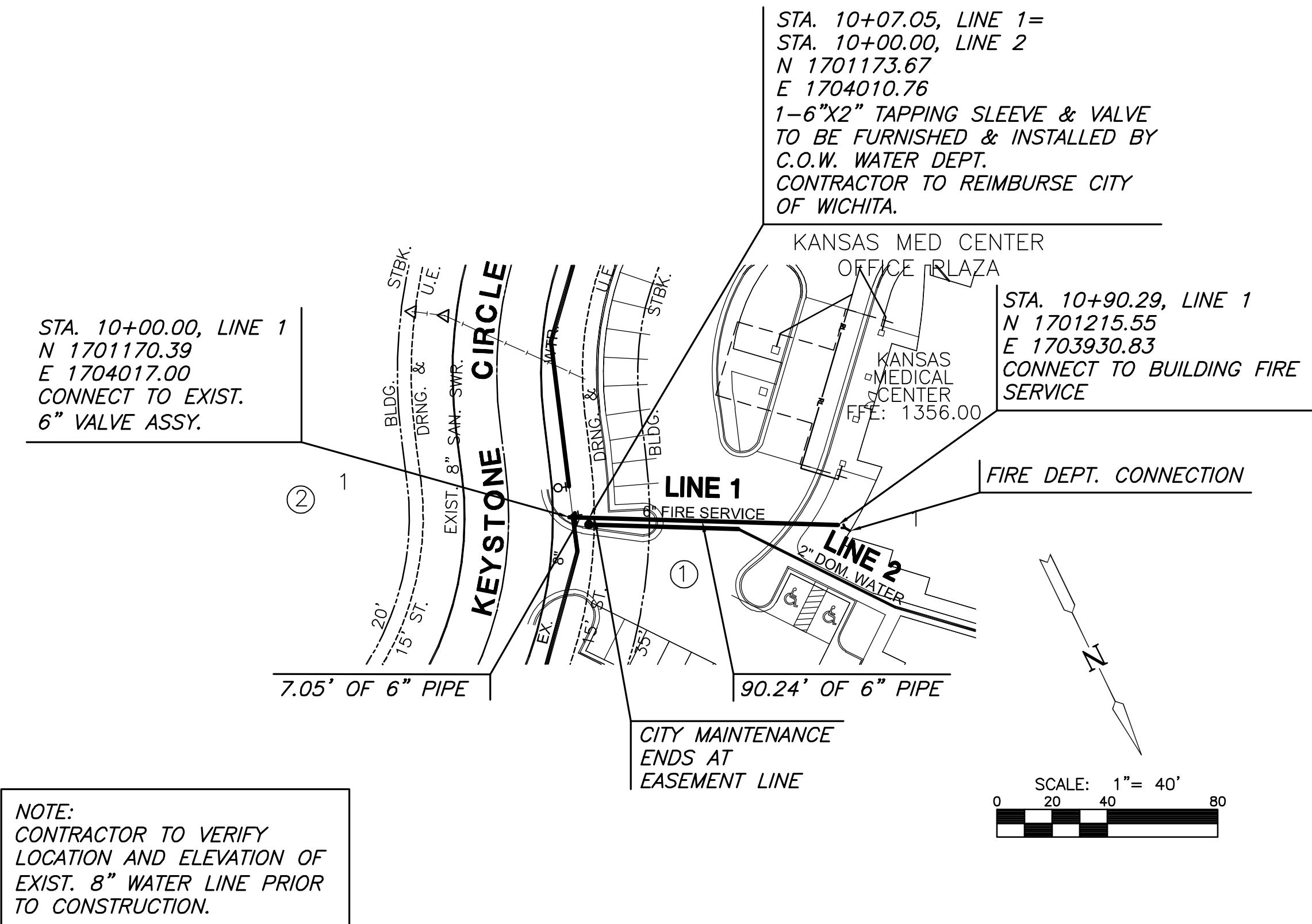
**WATER LINE
PLAN & PROFILE**

SHEET TITLE
1736PPW
PROJECT NUMBER

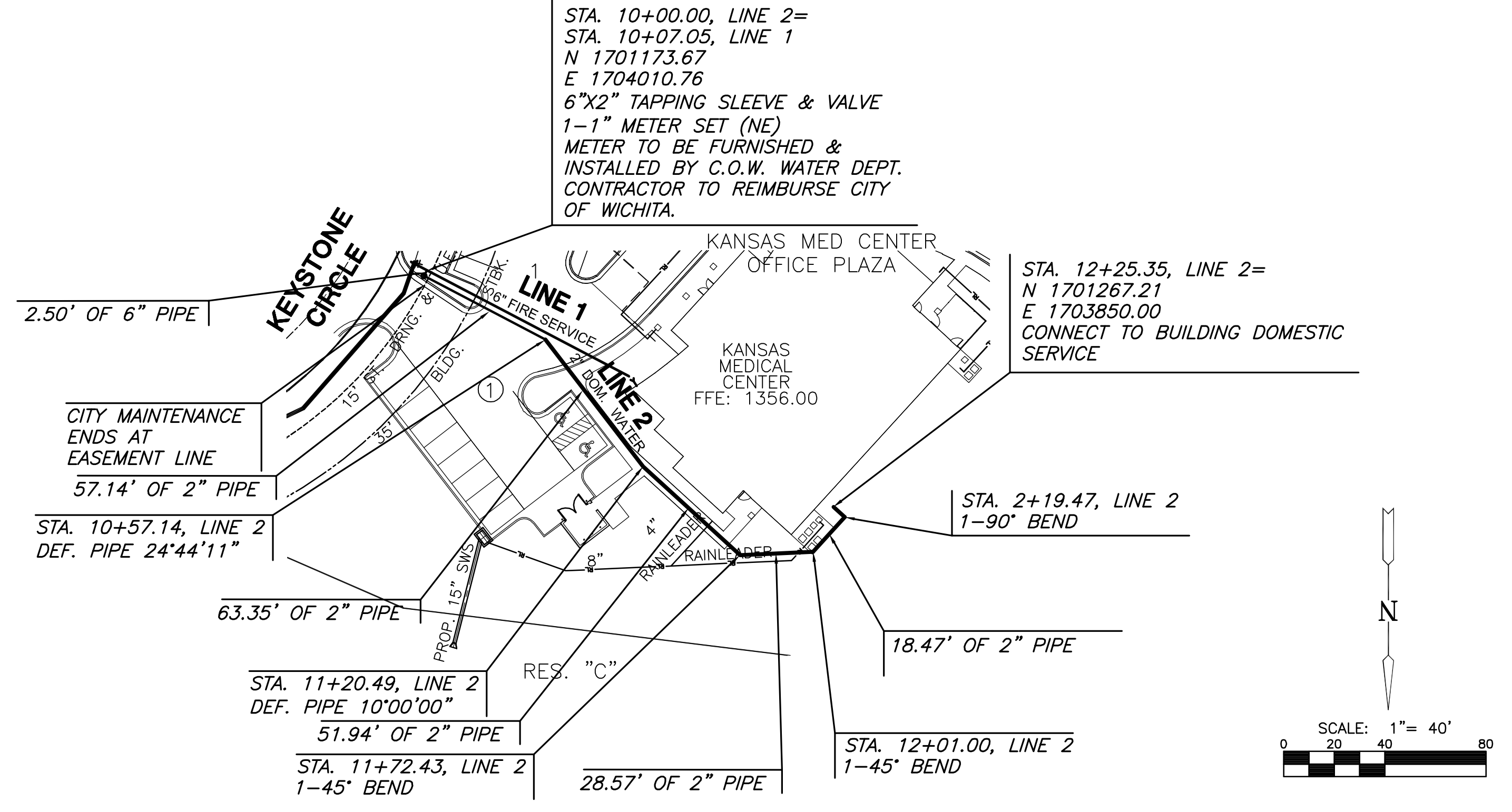
SPE | SPE | G/A
DESIGNED | DRAWN | CHECKED

ISSUED
April 2013
REVISED

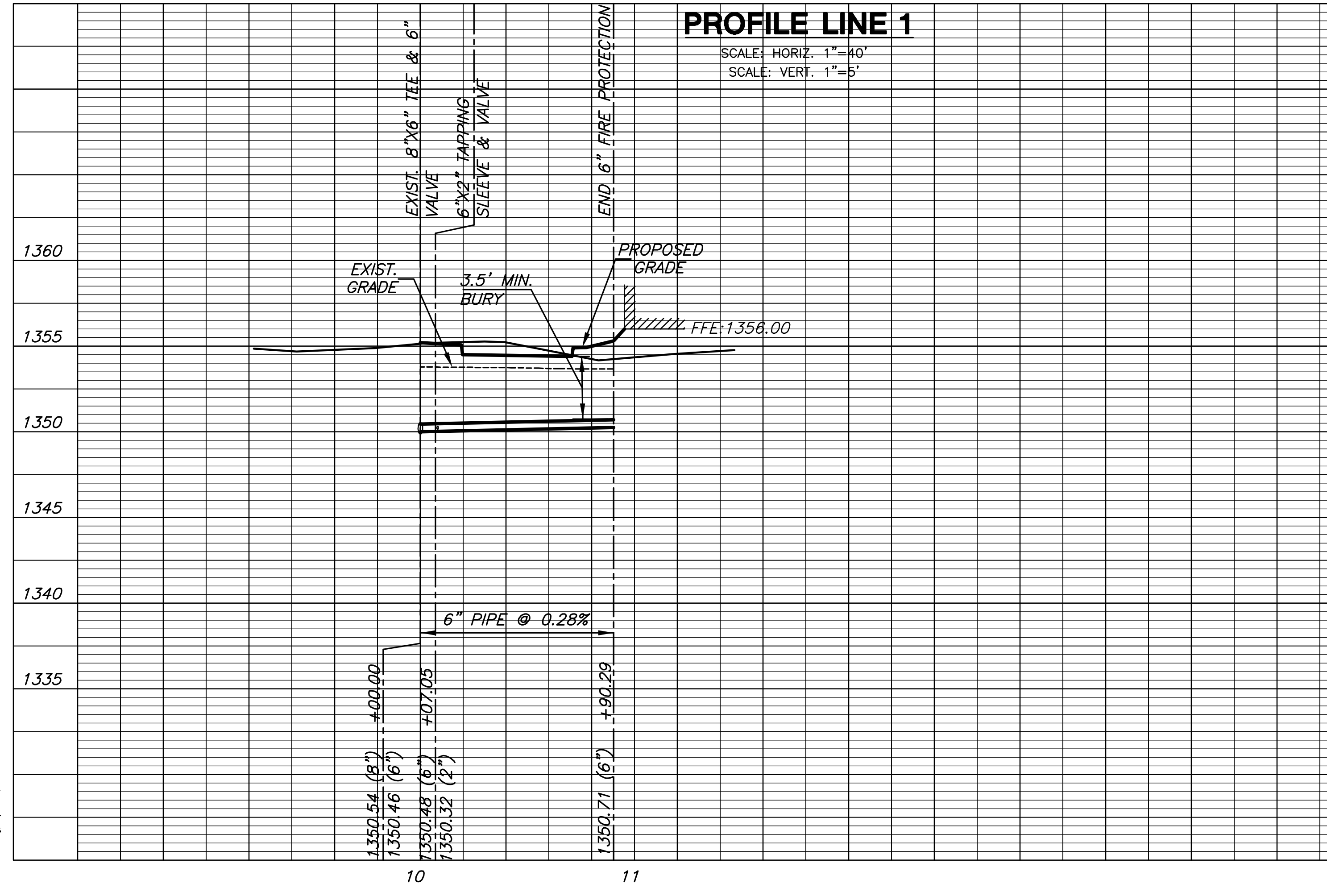
SHEET NO.
3 of 3



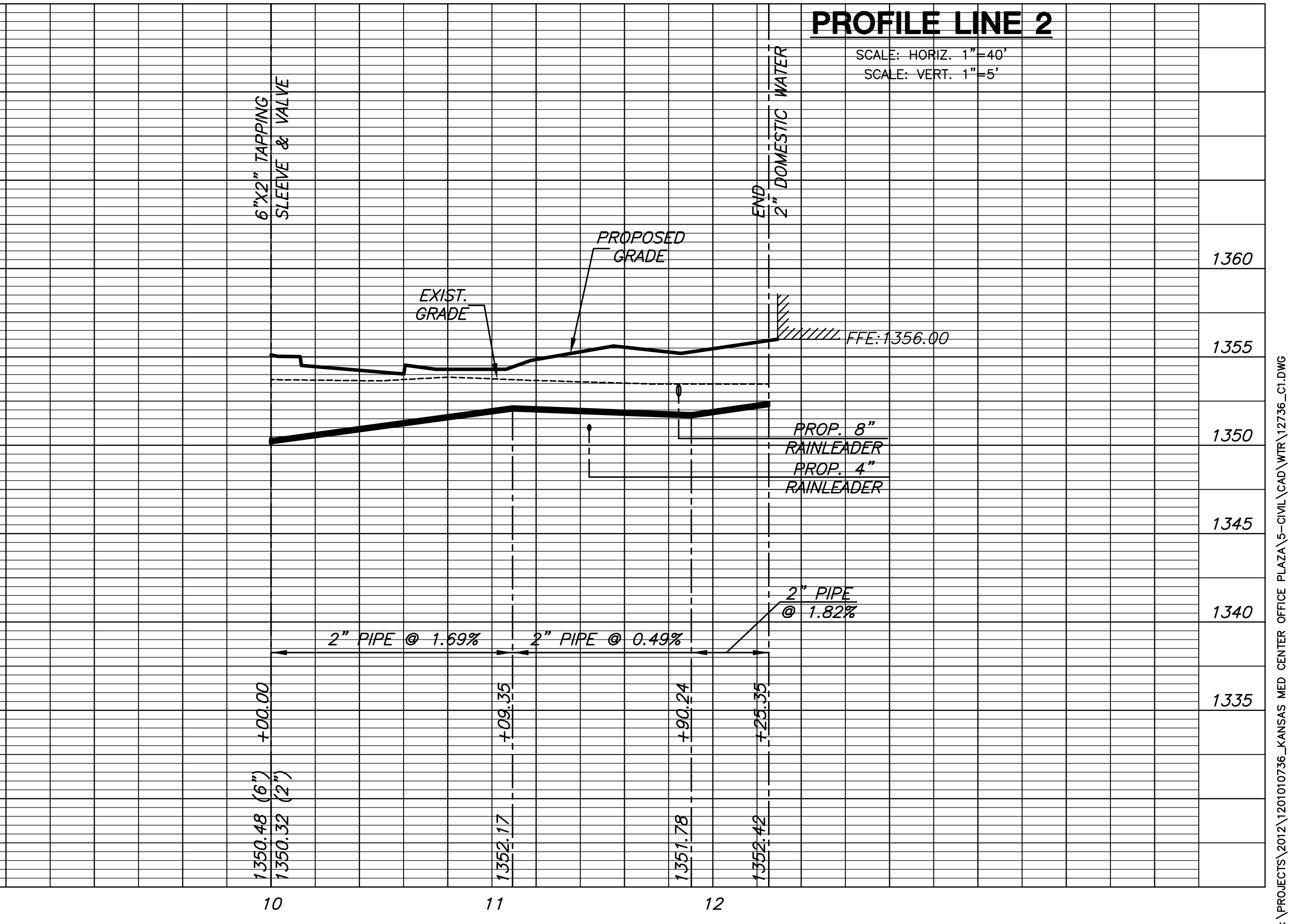
PLAN LINE 1



PLAN LINE 2



PROFILE LINE 1



PROFILE LINE 2

PLOTTED: Monday, April 15, 2013 @ 03:48PM

J:\PROJECTS\2012\1201010736_KANSAS MED CENTER OFFICE PLAZA\5-CIVIL\CAD\WIR\1736_C1.DWG