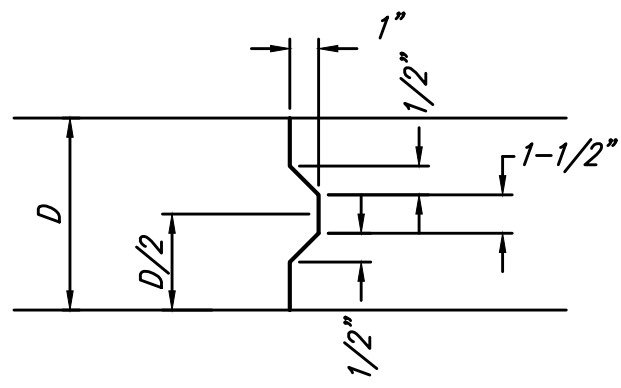
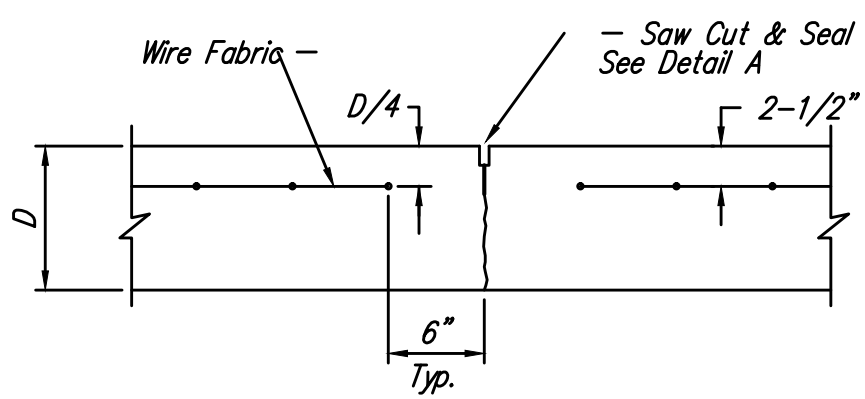


**EXPANSION JOINT (E.J.)**

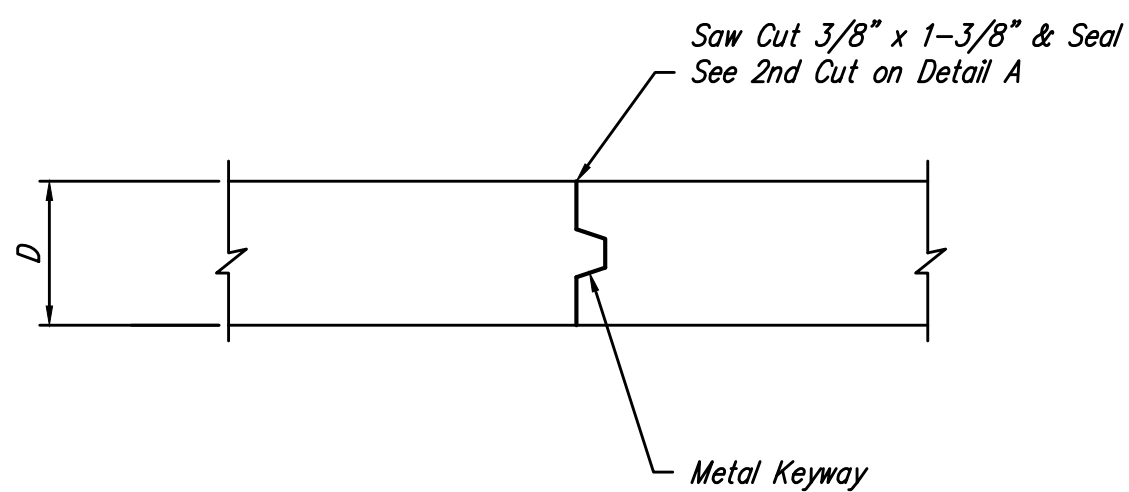
NOTE: Extra Thickness to be Subsidiary to Price of Square Yards Pavement



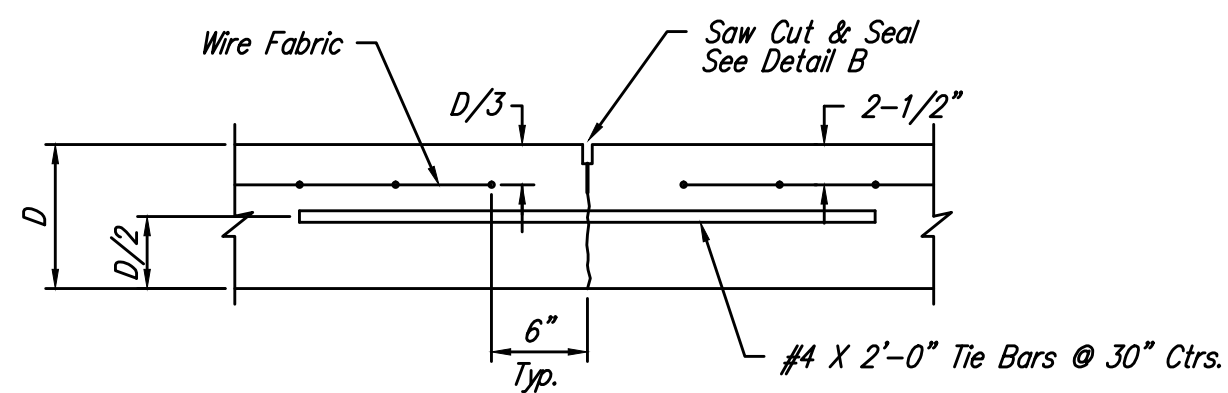
**KEYWAY DETAIL**



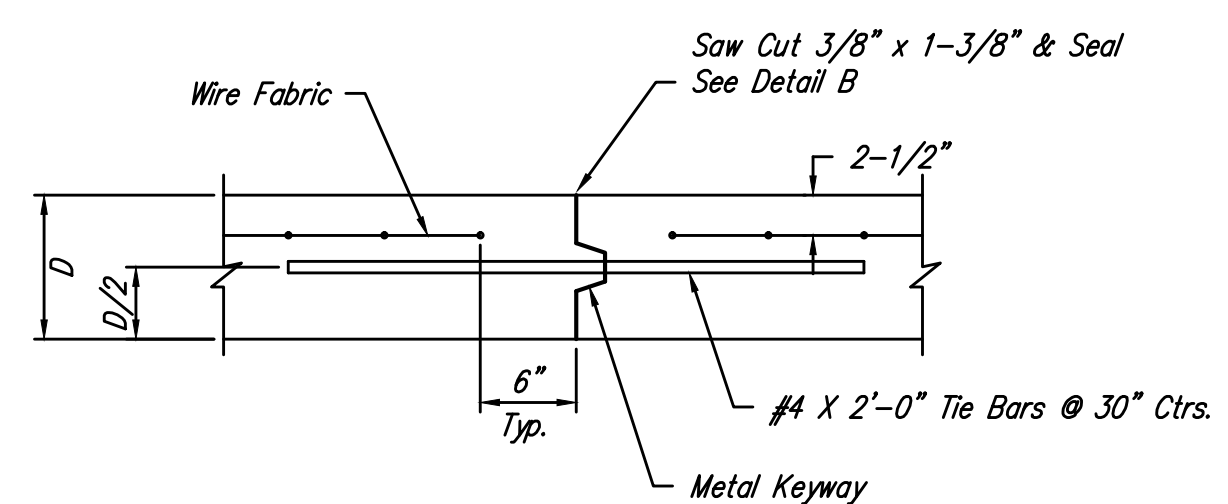
**CONTRACTION JOINT DETAIL (C.J.)**



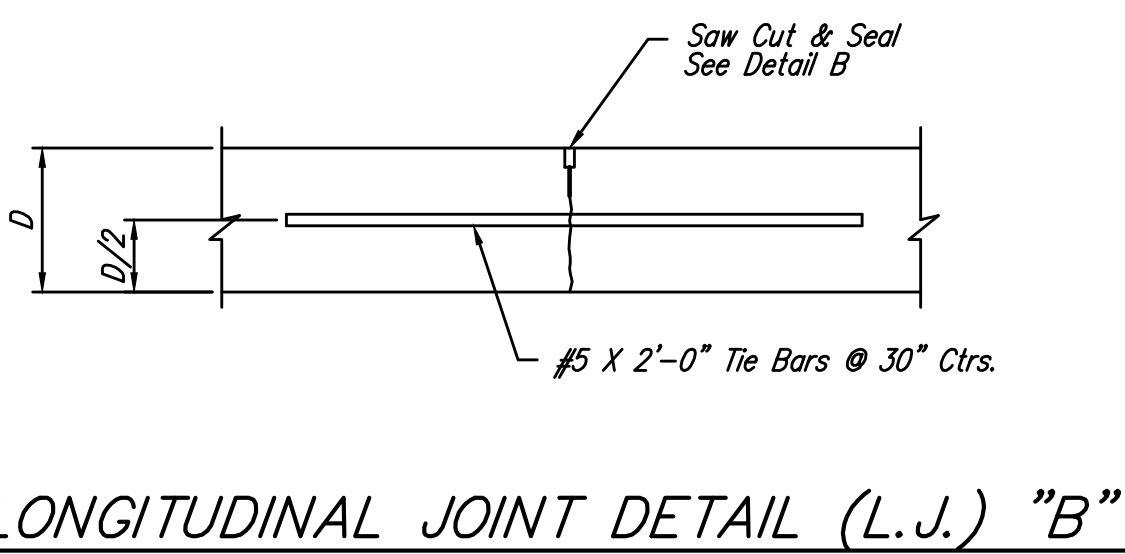
**LONGITUDINAL JOINT DETAIL (L.J.) "A"**



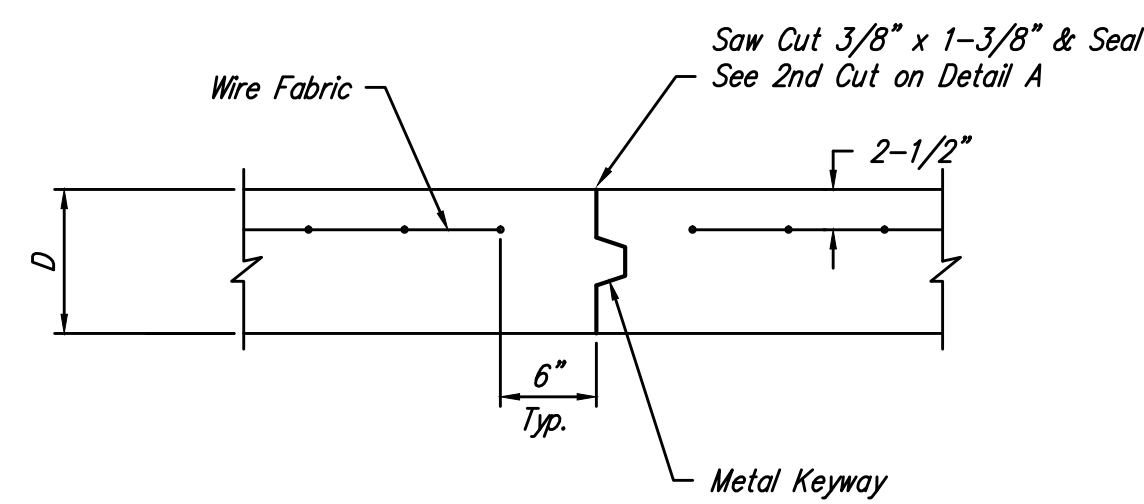
**LONGITUDINAL JOINT DETAIL (L.J.)**



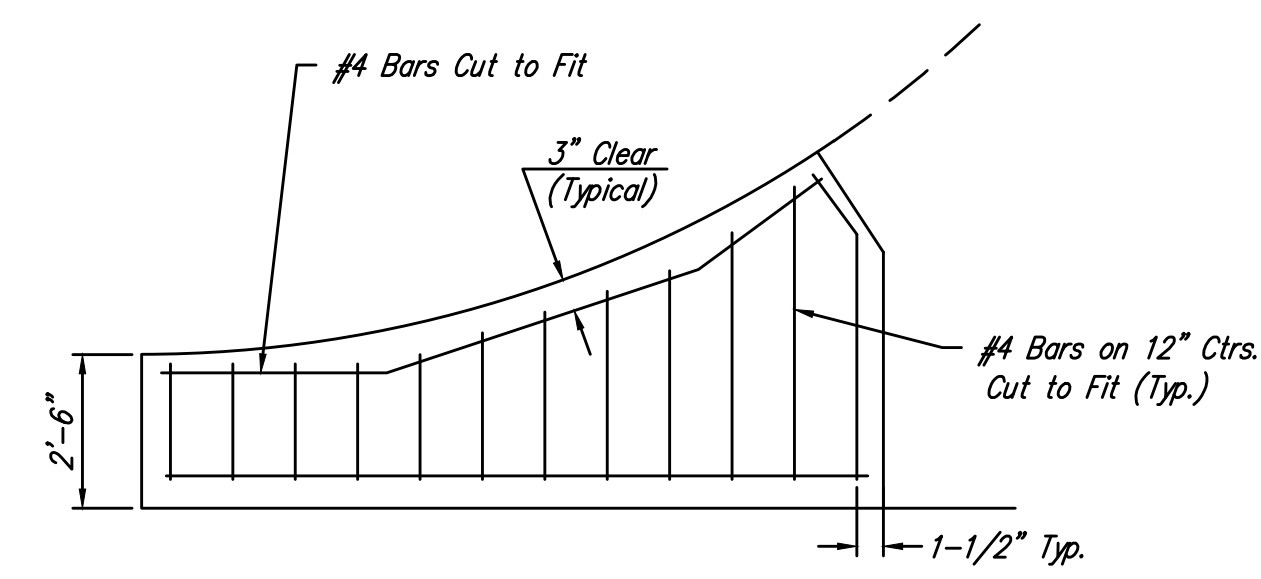
**OPTIONAL LONGITUDINAL JOINT DETAIL (L.J.) (CONSTRUCTION JOINT)**



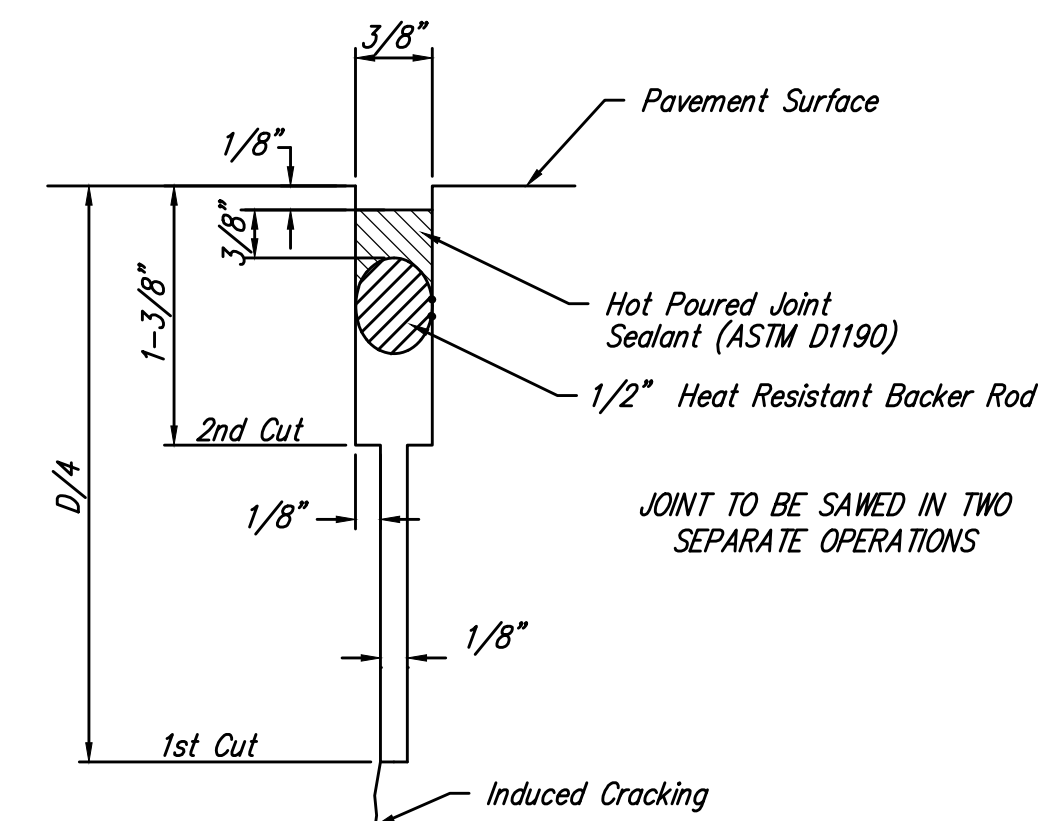
**LONGITUDINAL JOINT DETAIL (L.J.) "B"**



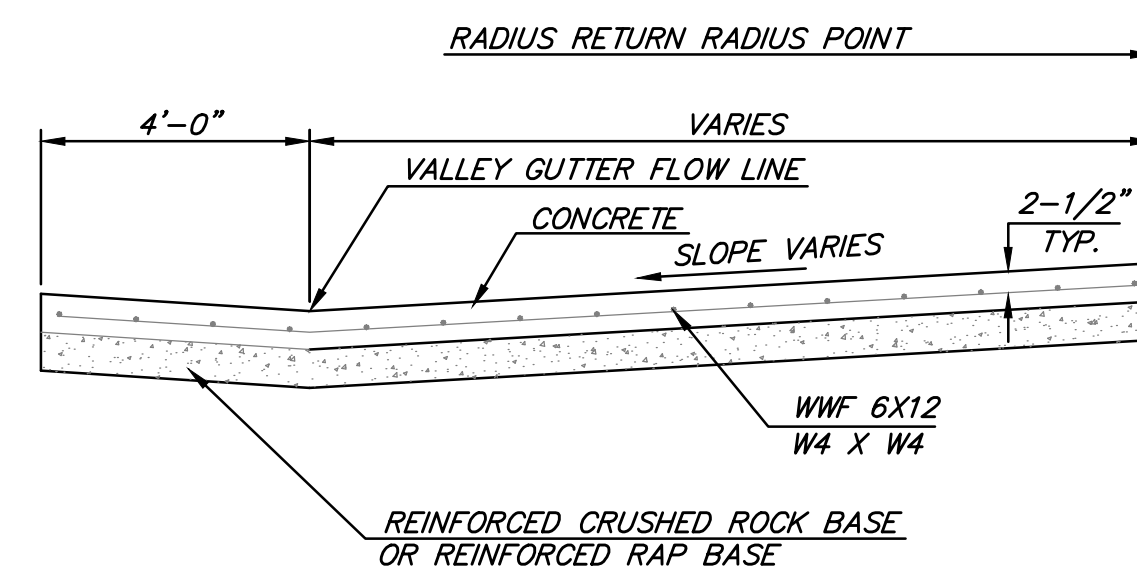
**OPTIONAL CONTRACTION JOINT (CONSTRUCTION JOINT)**



**WING REINFORCING DETAIL**

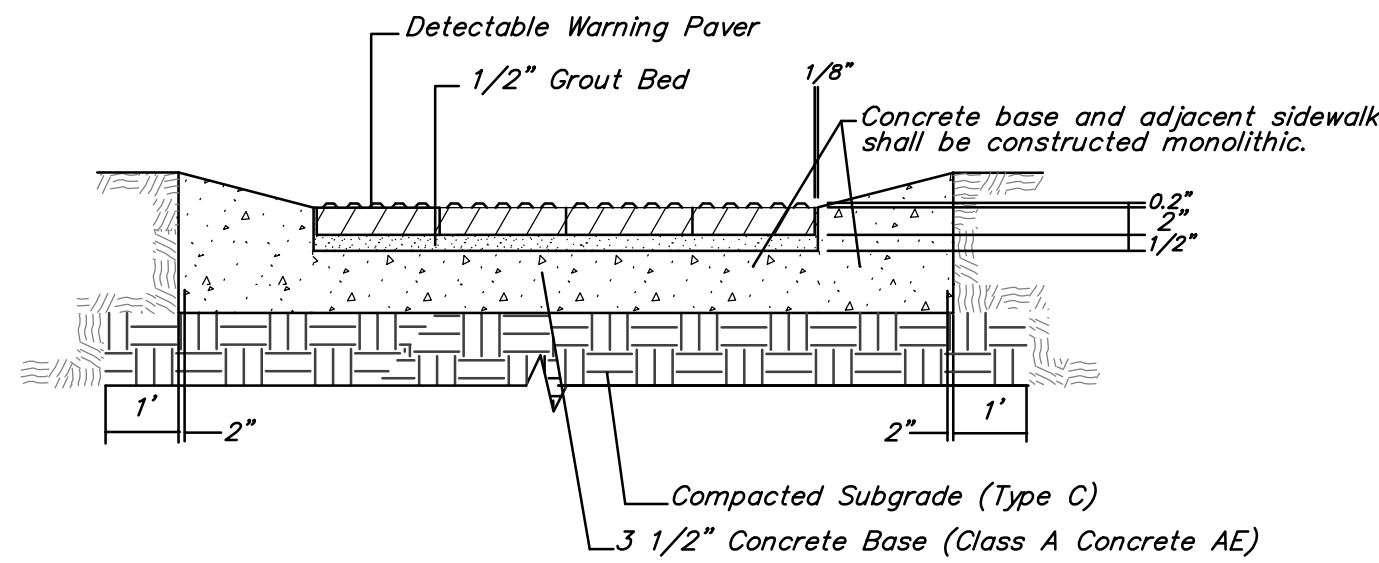
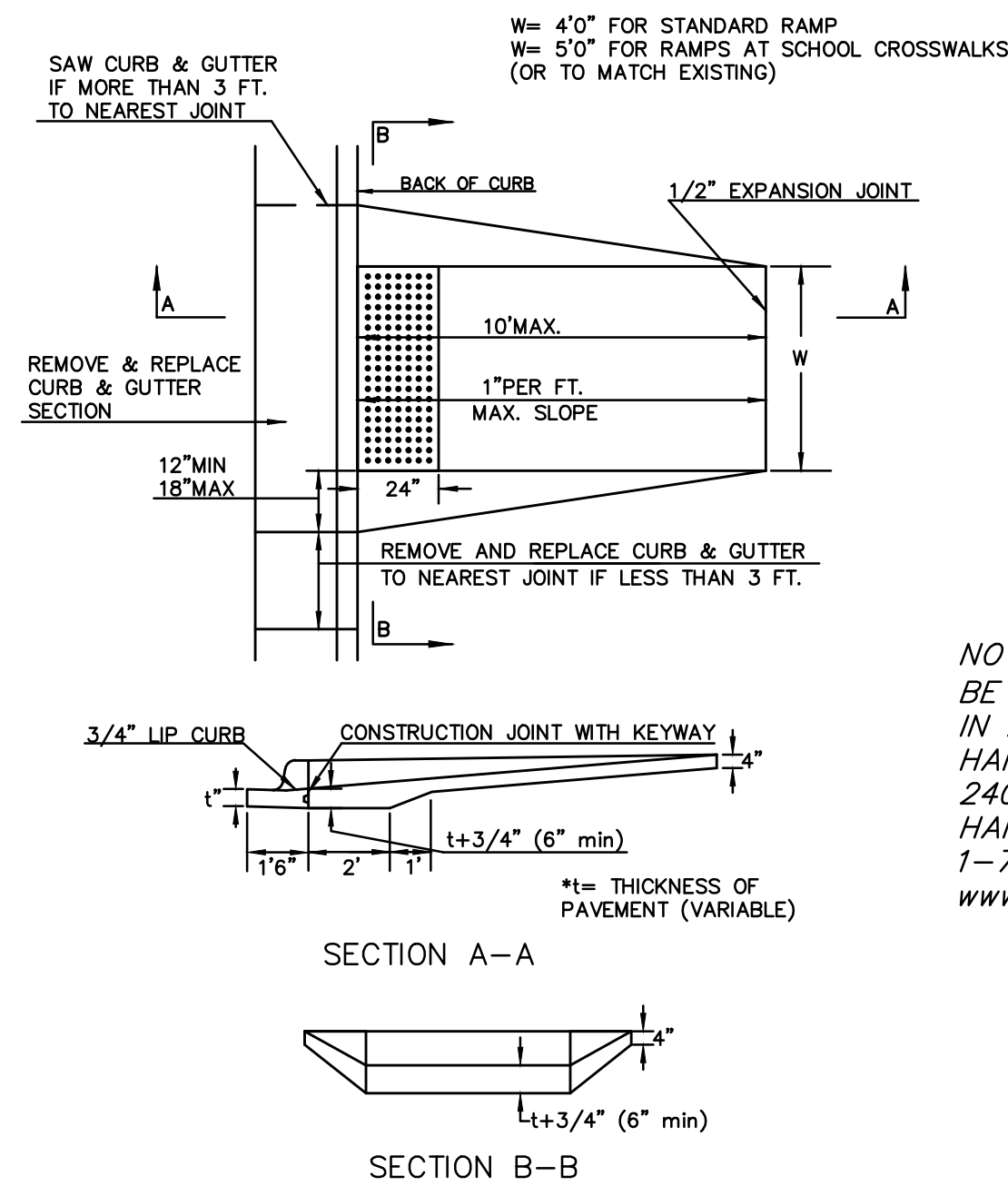


**SAW JOINT DETAIL**



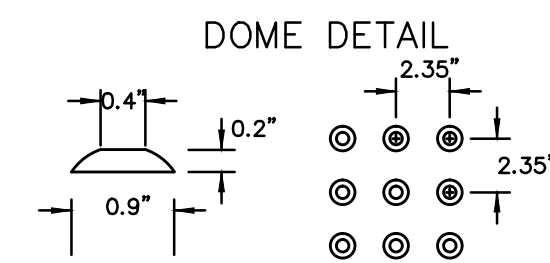
**SECTION A-A**

**STANDARD WHEELCHAIR RAMP CONSTRUCTION DETAIL FOR STREETS WITH COMBINED CURB & GUTTER (TYPE A)**

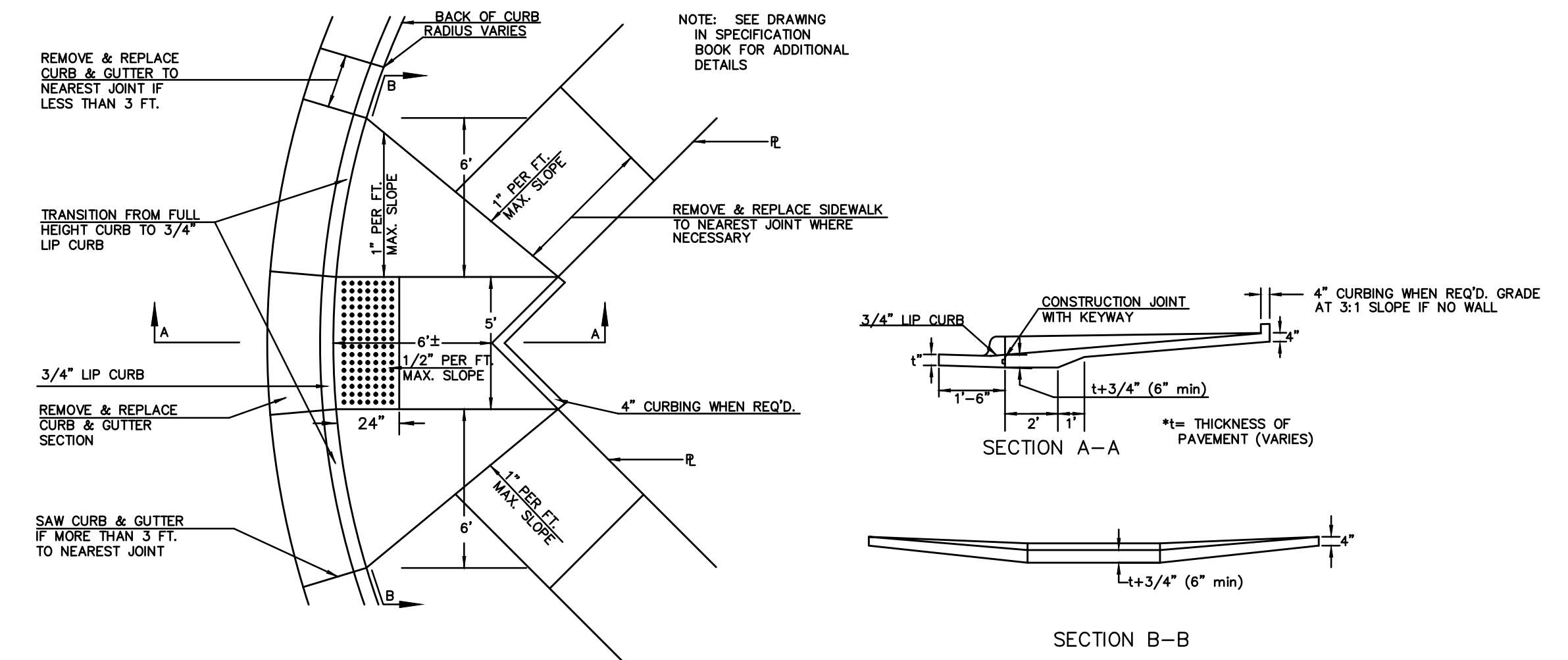


**TYPICAL SECTION DETECTABLE WARNING PAVER SECTION A-A**

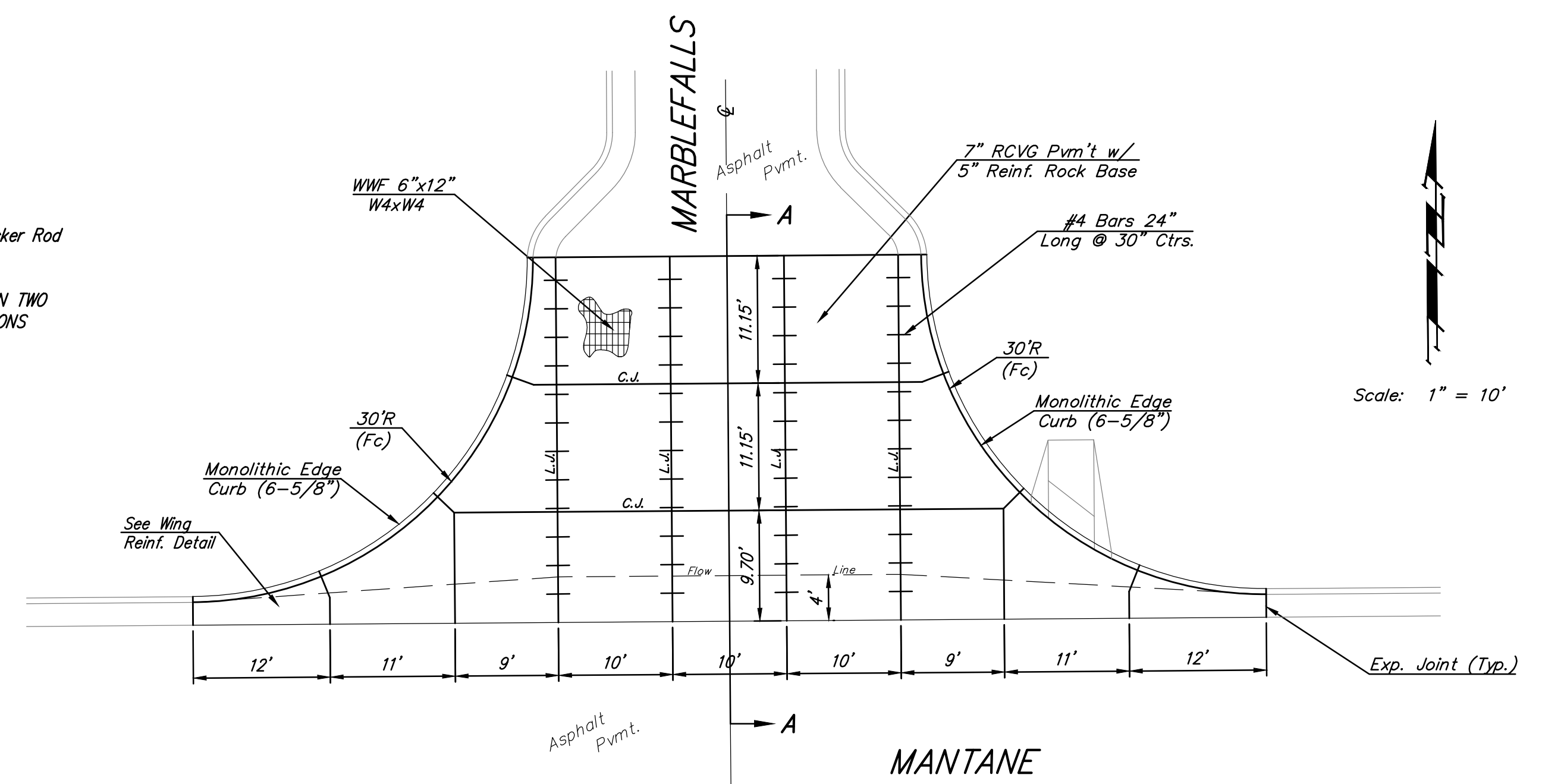
NOTE: HANOVER DETECTABLE WARNING PAVERS (OR AN APPROVED ALTERNATE) SHALL BE USED IN ALL WHEELCHAIR RAMP. THE 11 3/4" RED 15' PAVER SHALL BE USED IN ALL APPLICATIONS.  
HANOVER ARCHITECTURAL PRODUCTS  
240 BENDER ROAD  
HANOVER, PA 17331  
1-717-637-0500  
www.hanoverpavers.com



**STANDARD WHEELCHAIR RAMP CONSTRUCTION DETAIL FOR STREET WITH COMBINED CURB AND GUTTER ON RADIUS WITH 6'± FROM BACK OF CURB TO PROPERTY CORNER (TYPE C)**



**WHEELCHAIR RAMP DETAILS**



**REINFORCED VALLEY GUTTER DETAIL**

6" x 12" W4XW4 WIRE FABRIC REINFORCING SHALL BE PLACED SUCH THAT THE WIRES WITH THE 6" SPACING WILL RUN PARALLEL WITH THE LONGITUDINAL JOINT.

<b>Baughman</b>		Falcon Falls 2nd Addition - Phase 3B <b>VALLEY GUTTER DETAILS</b> <b>WHEELCHAIR RAMP</b> <b>DETAILS</b>	
Baughman Company, P.A. 315 Ellis St. Wichita, KS 67211 P 316-262-7271 F 316-262-0149 ENGINEERING   SURVEYING   PLANNING   LANDSCAPE ARCHITECTURE			
PROJECT NUMBER 472-85106	DESIGN AEG	DRAWN JAK	
REVISIONS:	APPROVED	DATE 8/14	
	SCALE 1" = 20'	SHEET	5 OF 28