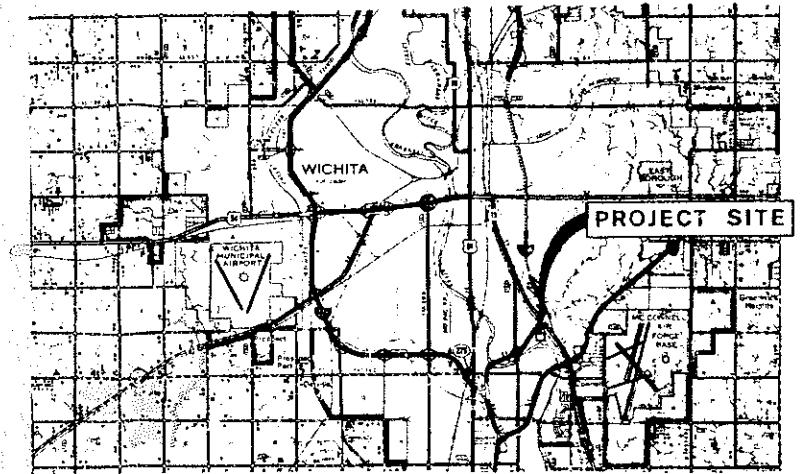


WICHITA, KANSAS

PLANT NO. 1 PUMPING STATION

I PA PROJECT NO. C200-513-01



PROJECT LOCATION

SCALE: 1" = 2 MILES

INDEX TO DRAWINGS

SHEET NO.

DESCRIPTION

SHEET NO.	DESCRIPTION
GENERAL	
101	COVER SHEET, LOCATION MAP AND INDEX TO DRAWINGS
102	SITE PREPARATION LAYOUT (REMOVAL ITEMS)
103	SITE PLAN
104	DIGESTER GAS PIPING LAYOUT
105	UTILITY LAYOUT
106	GRADING, LANDSCAPING AND PAVING PLAN
107	LIST OF PLANT MATERIALS AND PLANTING DETAILS
108	PAVEMENT AND MISCELLANEOUS DETAILS
109	STORM DRAIN INLET DETAIL
110	MISCELLANEOUS DETAILS

ARCHITECTURAL

201	PUMP LEVEL FLOOR PLAN
202	INTERMEDIATE LEVEL FLOOR PLAN
203	OPERATIONS LEVEL FLOOR PLAN
204	MEZZANINE LEVEL FLOOR PLAN
205	MEZZANINE LEVEL ROOF PLAN AND FINISH SCHEDULE
206	BUILDING ELEVATIONS
207	BUILDING SECTIONS
208	BUILDING SECTIONS
209	EXTERIOR WALL SECTIONS
210	EXTERIOR WALL SECTIONS
211	EXTERIOR WALL SECTIONS
212	INTERIOR WALL SECTIONS
213	DOOR, WINDOW AND LOUVER DETAILS AND SCHEDULE
214	STAIR DETAILS
215	ELEVATOR AND MISCELLANEOUS DETAILS
216	SIGN AND MISCELLANEOUS DETAILS

SHEET NO.

DESCRIPTION

SHEET NO.	DESCRIPTION
STRUCTURAL	
301	PUMP LEVEL FRAMING PLAN
302	INTERMEDIATE LEVEL FRAMING PLAN
303	OPERATIONS LEVEL FRAMING PLAN
304	MEZZANINE LEVEL AND ROOF FRAMING PLAN
305	MEZZANINE ROOF FRAMING PLAN AND SECTION
306	BUILDING SECTION AND DETAILS
307	BUILDING SECTION
308	BUILDING SECTIONS
309	BUILDING SECTION AND DETAILS
310	STAIR AND ELEVATOR SECTIONS AND DETAILS
311	BUILDING SECTION
312	BEAM AND COLUMN SCHEDULE
313	INLET TUNNEL AND OVERFLOW STRUCTURE
314	INLET TUNNEL AND OVERFLOW STRUCTURE SECTIONS
315	GRIT BASIN FACILITY DETAILS
316	GRIT BASIN FACILITY DETAILS
317	GRIT BASIN FACILITY DETAILS
318	GRIT BASIN FACILITY DETAILS
319	EFFLUENT FLUME

ENVIRONMENTAL

401	INLET TUNNEL AND OVERFLOW STRUCTURE
402	HEADWORKS STRUCTURE - OPERATIONS LEVEL
403	HEADWORKS STRUCTURE - PUMP LEVEL
404	PUMP PIT - PLAN
405	PUMP PIT - ELEVATION
406	PUMP PIT AND MET WELL - ELEVATION
407	GRIT BASIN FACILITY - PLAN

SHEET NO.

DESCRIPTION

408	GRIT BASIN FACILITY - SECTIONS
409	GRIT BASIN FACILITY - INTERMEDIATE LEVEL PIPING
410	GRIT BASIN FACILITY - TYPICAL BASIN DETAIL
411	MEZZANINE LEVEL PLAN AND GRIT Dewatering EQUIPMENT
412	SEPTIC TANK DUMP PIT DETAILS
413	SEWER AND FLUME PROFILES
414	MANHOLE A
415	MANHOLE DETAILS
416	MANHOLE DETAILS
417	MANHOLE DETAILS
418	MISCELLANEOUS DETAILS
419	MISCELLANEOUS DETAILS
420	MISCELLANEOUS DETAILS
421	EQUIPMENT, VALVE AND GATE SCHEDULES

MECHANICAL

501	PLUMBING PLAN PUMP LEVEL
502	PLUMBING PLAN INTERMEDIATE LEVEL
503	PLUMBING PLAN OPERATIONS LEVEL
504	PLUMBING PLAN MEZZANINE LEVEL
505	RISER DIAGRAMS AND DETAILS
506	HVAC PLAN PUMP LEVEL
507	HVAC PLAN INTERMEDIATE LEVEL
508	HVAC PLAN OPERATIONS LEVEL
509	HVAC PLAN MEZZANINE LEVEL
510	VENTILATION EQUIPMENT PLAN
511	HVAC DETAILS
512	PIPING SCHEMATICS
513	HVAC SCHEDULES
514	CONTROL DIAGRAMS
515	FUEL OIL STORAGE TANK AND MISCELLANEOUS DETAILS
516	PIPING SCHEMATICS

SHEET NO.

DESCRIPTION

SHEET NO.	DESCRIPTION
ELECTRICAL	
601	LIGHTING - PUMP LEVEL
602	LIGHTING - INTERMEDIATE LEVEL
603	LIGHTING - OPERATIONS LEVEL
604	LIGHTING - MEZZANINE LEVEL
605	POWER - PUMP LEVEL
606	POWER - INTERMEDIATE LEVEL
607	POWER - OPERATIONS LEVEL
608	POWER - MEZZANINE LEVEL
609	POWER - ONE LINE DIAGRAM
610	POWER - ONE LINE DIAGRAM
611	POWER - ONE LINE DIAGRAM
612	LEGEND, SCHEDULE AND DIAGRAMS
613	DIAGRAMS AND DETAILS



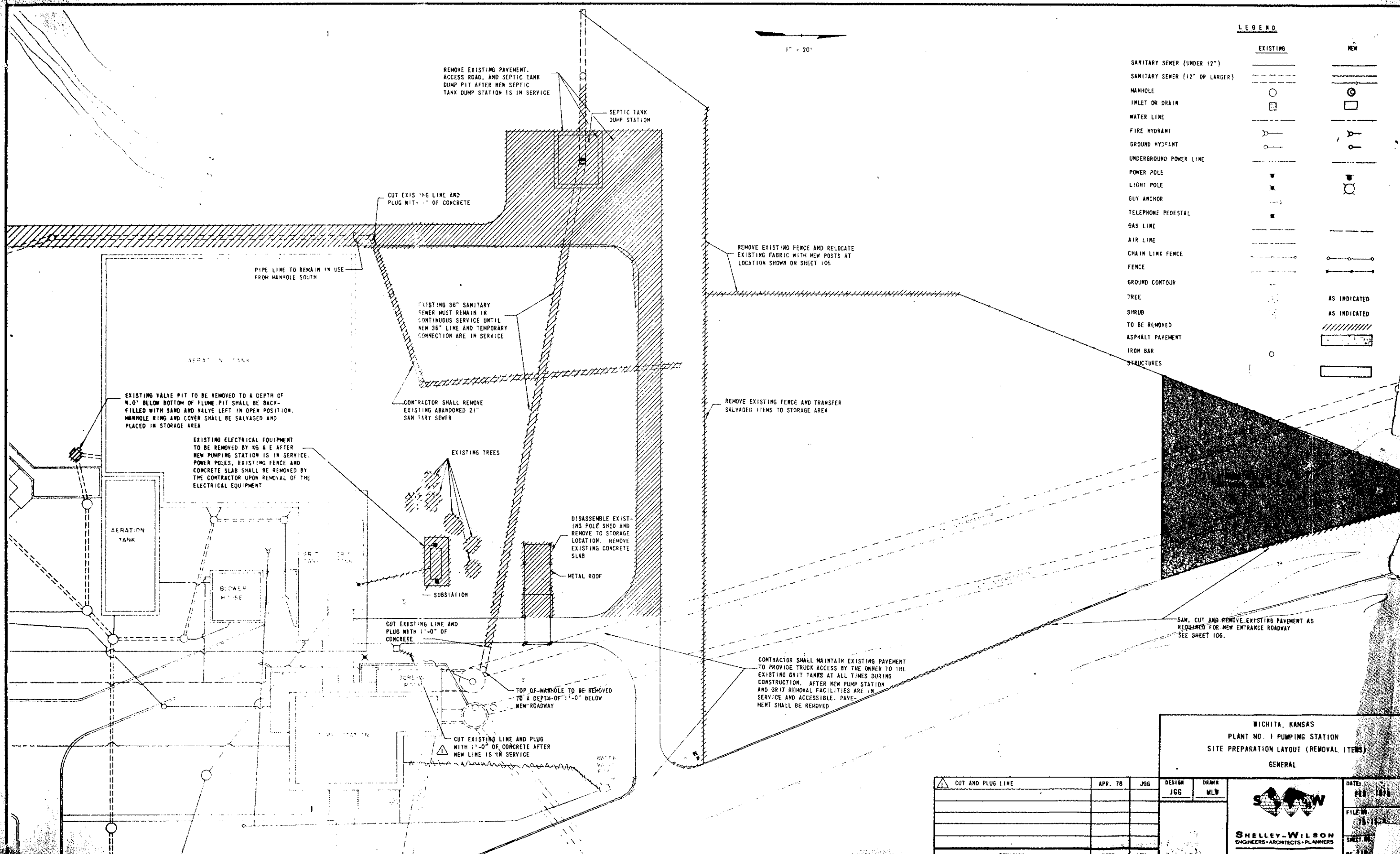
SHELLEY-WILSON
ENGINEERS-ARCHITECTS-PLANNERS

211 LAURA • WICHITA, KANSAS 67211

1" = 20'

LEGEND

	EXISTING	NEW
SANITARY SEWER (UNDER 12")	--- ---	--- ---
SANITARY SEWER (12" OR LARGER)	--- ---	--- ---
MANHOLE	○	⊙
INLET OR DRAIN	□	⊞
WATER LINE	--- ---	--- ---
FIRE HYDRANT	⊙	⊙
GROUND HYDRANT	⊙	⊙
UNDERGROUND POWER LINE	--- ---	--- ---
POWER POLE	⊙	⊙
LIGHT POLE	⊙	⊙
GUY ANCHOR	⊙	⊙
TELEPHONE PEDESTAL	⊙	⊙
GAS LINE	--- ---	--- ---
AIR LINE	--- ---	--- ---
CHAIN LINK FENCE	--- ---	--- ---
FENCE	--- ---	--- ---
GROUND CONTOUR	--- ---	--- ---
TREE	○	AS INDICATED
SHRUB	○	AS INDICATED
TO BE REMOVED	///	///
ASPHALT PAVEMENT	▨	▨
IRON BAR	○	○
STRUCTURES	▭	▭



REMOVE EXISTING PAVEMENT, ACCESS ROAD, AND SEPTIC TANK DUMP PIT AFTER NEW SEPTIC TANK DUMP STATION IS IN SERVICE

SEPTIC TANK DUMP STATION

CUT EXIST'G LINE AND PLUG WITH 1'-0" OF CONCRETE

PIPE LINE TO REMAIN IN USE FROM MANHOLE SOUTH

EXISTING 36" SANITARY SEWER MUST REMAIN IN CONTINUOUS SERVICE UNTIL NEW 36" LINE AND TEMPORARY CONNECTION ARE IN SERVICE

REMOVE EXISTING FENCE AND RELOCATE EXISTING FABRIC WITH NEW POSTS AT LOCATION SHOWN ON SHEET 105

EXISTING VALVE PIT TO BE REMOVED TO A DEPTH OF 4'-0" BELOW BOTTOM OF FLUME. PIT SHALL BE BACK-FILLED WITH SAND AND VALVE LEFT IN OPEN POSITION. MANHOLE RING AND COVER SHALL BE SALVAGED AND PLACED IN STORAGE AREA

CONTRACTOR SHALL REMOVE EXISTING ABANDONED 21" SANITARY SEWER

REMOVE EXISTING FENCE AND TRANSFER SALVAGED ITEMS TO STORAGE AREA

EXISTING ELECTRICAL EQUIPMENT TO BE REMOVED BY KG & E AFTER NEW PUMPING STATION IS IN SERVICE. POWER POLES, EXISTING FENCE AND CONCRETE SLAB SHALL BE REMOVED BY THE CONTRACTOR UPON REMOVAL OF THE ELECTRICAL EQUIPMENT

EXISTING TREES

DISASSEMBLE EXISTING POLE SHED AND REMOVE TO STORAGE LOCATION. REMOVE EXISTING CONCRETE SLAB

METAL ROOF

CUT EXISTING LINE AND PLUG WITH 1'-0" OF CONCRETE

TOP OF MANHOLE TO BE REMOVED TO A DEPTH OF 1'-0" BELOW NEW ROADWAY

CUT EXISTING LINE AND PLUG WITH 1'-0" OF CONCRETE AFTER NEW LINE IS IN SERVICE

CONTRACTOR SHALL MAINTAIN EXISTING PAVEMENT TO PROVIDE TRUCK ACCESS BY THE OWNER TO THE EXISTING GRIT TANKS AT ALL TIMES DURING CONSTRUCTION. AFTER NEW PUMP STATION AND GRIT REMOVAL FACILITIES ARE IN SERVICE AND ACCESSIBLE, PAVEMENT SHALL BE REMOVED

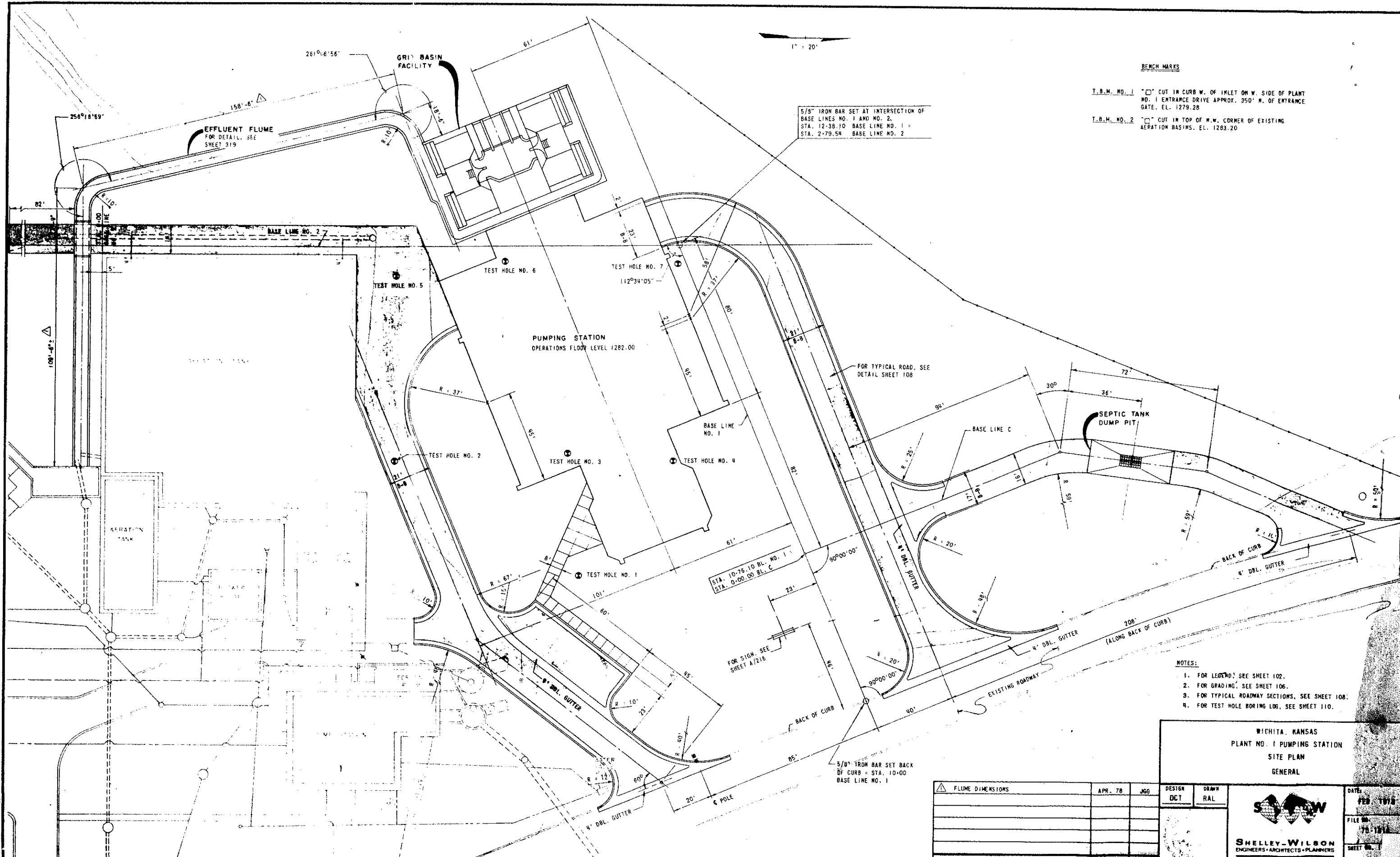
SAW, CUT AND REMOVE EXISTING PAVEMENT AS REQUIRED FOR NEW ENTRANCE ROADWAY SEE SHEET 106.

WICHITA, KANSAS
PLANT NO. 1 PUMPING STATION
SITE PREPARATION LAYOUT (REMOVAL ITEMS)
GENERAL

△ CUT AND PLUG LINE	APR. 78	JGG	DESIGN JGG	DRAWN MLW	DATE: FEB 1978
					FILE NO: 78-117
					SHEET NO: 09 OF 11



SHELLEY-WILSON
ENGINEERS-ARCHITECTS-PLANNERS
214 KANSAS ST. WICHITA, KANSAS 67211



1" = 20'

BENCH MARKS

- T.B.M. NO. 1 " " CUT IN CURB W. OF INLET ON W. SIDE OF PLANT NO. 1 ENTRANCE DRIVE APPROX. 350' N. OF ENTRANCE GATE. EL. 1279.28
- T.B.M. NO. 2 " " CUT IN TOP OF N.W. CORNER OF EXISTING AERATION BASINS. EL. 1283.20

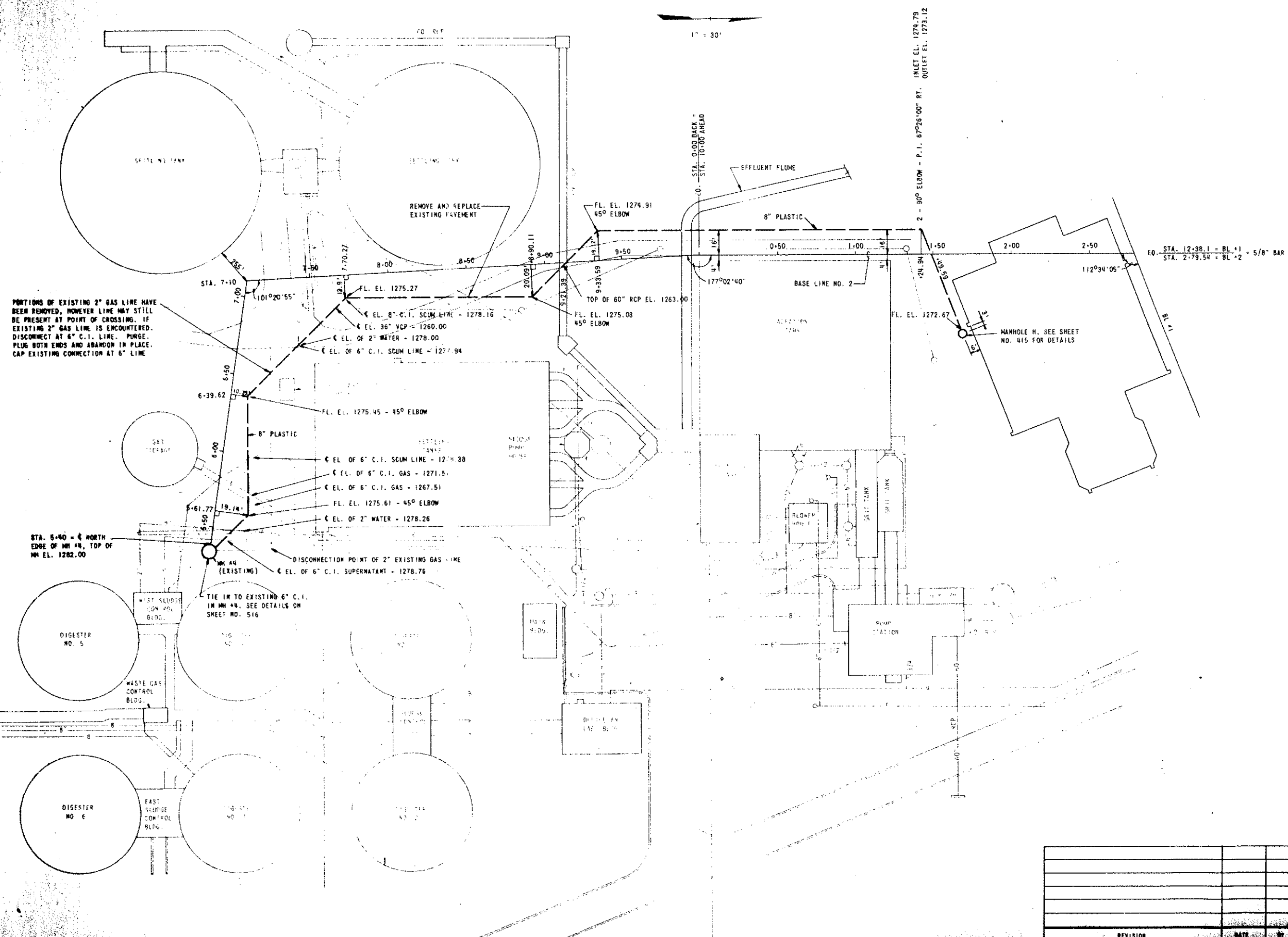
5/8" IRON BAR SET AT INTERSECTION OF BASE LINES NO. 1 AND NO. 2. STA. 12+38.10 BASE LINE NO. 1 = STA. 2+79.54 BASE LINE NO. 2

- NOTES:**
1. FOR LEGEND, SEE SHEET 102.
 2. FOR GRADING, SEE SHEET 106.
 3. FOR TYPICAL ROADWAY SECTIONS, SEE SHEET 108.
 4. FOR TEST HOLE BORING LOGS, SEE SHEET 110.

WICHITA, KANSAS
PLANT NO. 1 PUMPING STATION
 SITE PLAN
 GENERAL

DESIGN	APR. 78	JGG	DRAWN	DATE	FEB 1978
DCT			RAL	FILE NO.	75-1512
			SHELLEY-WILSON ENGINEERS-ARCHITECTS-PLANNERS		
			<small>224 LANAR • WICHITA, KANSAS 67211</small>		
REVISION	DATE	BY			

FLUME DIMENSIONS	DATE	BY	REVISION



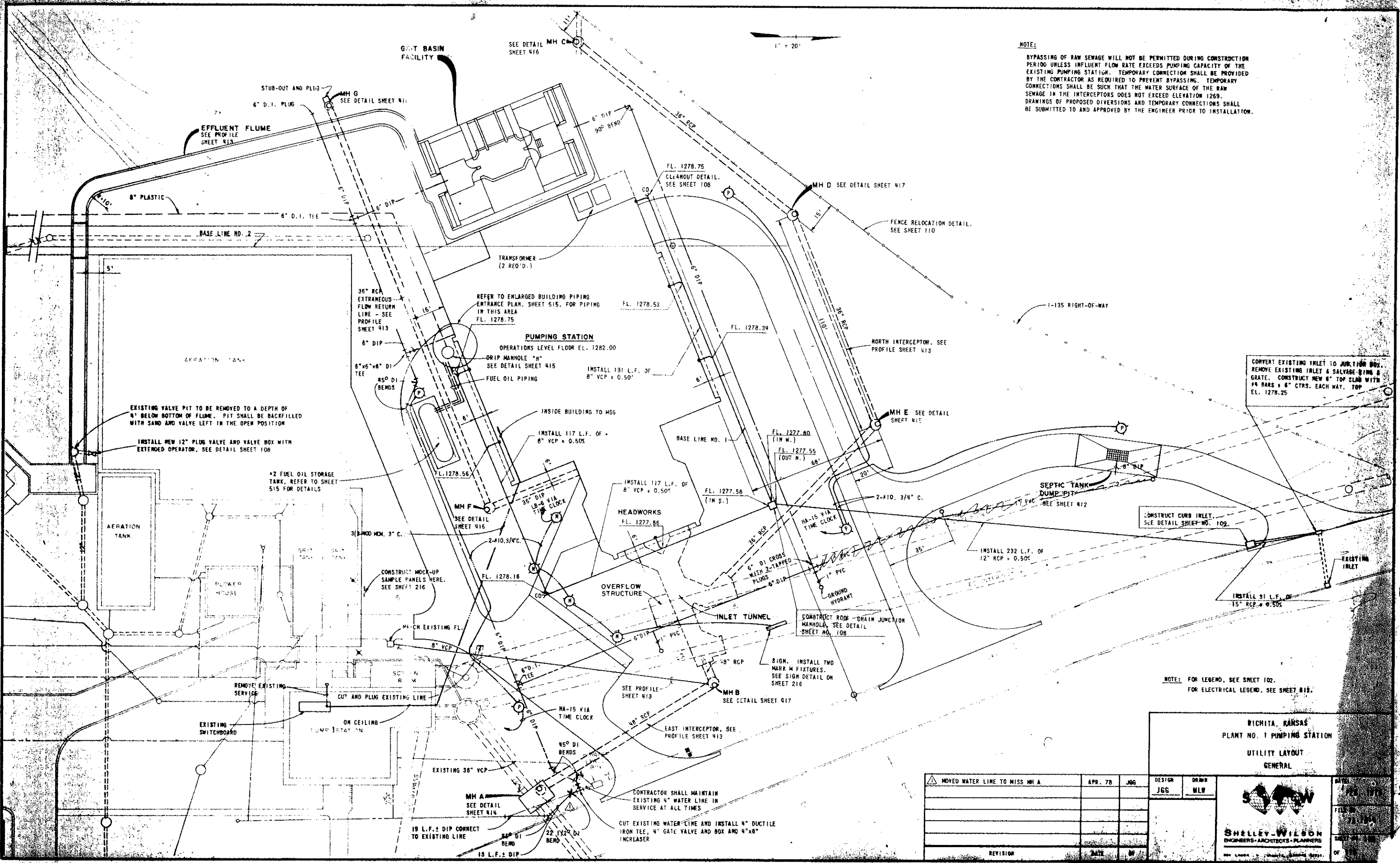
PORTIONS OF EXISTING 2" GAS LINE HAVE BEEN REMOVED, HOWEVER LINE MAY STILL BE PRESENT AT POINT OF CROSSING. IF EXISTING 2" GAS LINE IS ENCOUNTERED, DISCONNECT AT 6" C.I. LINE. PURGE, PLUG BOTH ENDS AND ABANDON IN PLACE. CAP EXISTING CONNECTION AT 6" LINE

- NOTES:**
1. TIE-IN OF THE NEW GAS LINE TO THE EXISTING GAS SYSTEM SHALL BE COORDINATED WITH PLANT NO. 1.
 2. ALL ELEVATIONS OF EXISTING UNDERGROUND PIPING ARE APPROXIMATE. LOCATION AND DEPTH SHALL BE DETERMINED BEFORE EXCAVATION BEGINS.

NOTE: FOR LEGEND, SEE SHEET 102.

WICHITA, KANSAS
PLANT NO. 1 PUMPING STATION
DIGESTER GAS PIPING LAYOUT
GENERAL

DESIGN GDS	DRAWN RLI		DATE FEB 1970												
<table border="1" style="width: 100%; border-collapse: collapse;"> <tr><td>REVISION</td><td>DATE</td><td>BY</td></tr> <tr><td> </td><td> </td><td> </td></tr> <tr><td> </td><td> </td><td> </td></tr> <tr><td> </td><td> </td><td> </td></tr> </table>		REVISION	DATE	BY										<p>SHELLEY-WILSON ENGINEERS-ARCHITECTS-PLANNERS</p> <p style="font-size: 8px;">204 LEWIS • WICHITA, KANSAS 67201</p>	FILE NO. 75-111 SHEET NO. 11 OF 11
REVISION	DATE	BY													



NOTE:
 BYPASSING OF RAW SEWAGE WILL NOT BE PERMITTED DURING CONSTRUCTION PERIOD UNLESS INFLUENT FLOW RATE EXCEEDS PUMPING CAPACITY OF THE EXISTING PUMPING STATION. TEMPORARY CONNECTION SHALL BE PROVIDED BY THE CONTRACTOR AS REQUIRED TO PREVENT BYPASSING. TEMPORARY CONNECTIONS SHALL BE SUCH THAT THE WATER SURFACE OF THE RAW SEWAGE IN THE INTERCEPTORS DOES NOT EXCEED ELEVATION 1269. DRAWINGS OF PROPOSED DIVERSIONS AND TEMPORARY CONNECTIONS SHALL BE SUBMITTED TO AND APPROVED BY THE ENGINEER PRIOR TO INSTALLATION.

CONVERT EXISTING INLET TO JUNCTION BOX. REMOVE EXISTING INLET & SALVAGE 8\" GRATE. CONSTRUCT NEW 8\" TOP SLAB WITH #4 BARS @ 8\" CTRS. EACH WAY. TOP EL. 1278.25

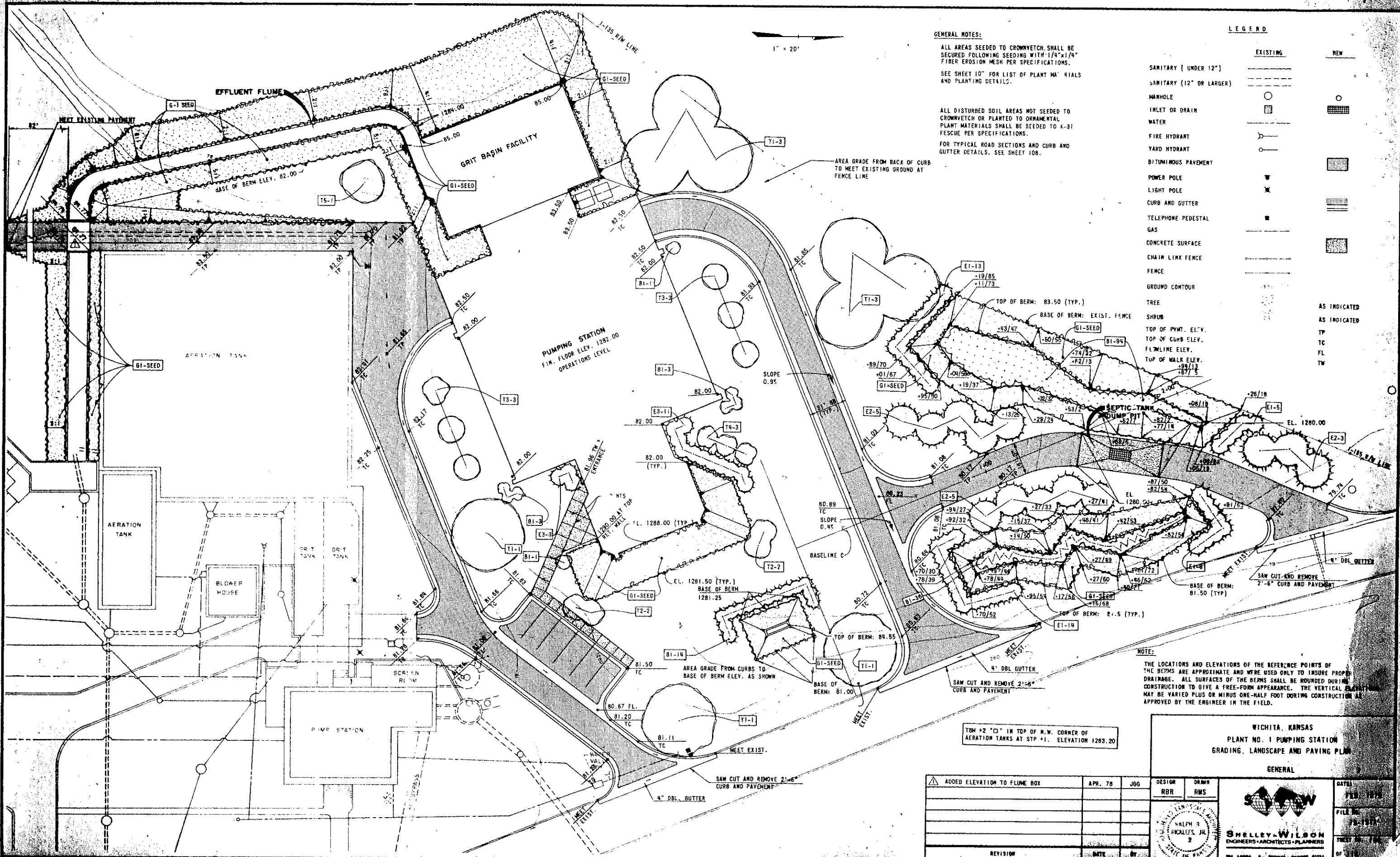
NOTE: FOR LEGEND, SEE SHEET 102.
 FOR ELECTRICAL LEGEND, SEE SHEET 412.

WICHITA, KANSAS
PLANT NO. 1 PUMPING STATION
UTILITY LAYOUT
GENERAL

NO.	REVISION	DATE	BY	DESIGN	DRAWN
1	MOVED WATER LINE TO MISS MH A	APR. 78	JGG	JGG	MLW



DATE: APR 78
 FILE NO: 78-100
 SHEET NO: 101
 OF 111



GENERAL NOTES:
 ALL AREAS SEEDED TO CROWNVECH SHALL BE SECURED FOLLOWING SEEDING WITH 1/4"x1/4" FIBER EROSION MESH PER SPECIFICATIONS.
 SEE SHEET 10" FOR LIST OF PLANT MATERIALS AND PLANTING DETAILS.
 ALL DISTURBED SOIL AREAS NOT SEEDED TO CROWNVECH OR PLANTED TO ORNAMENTAL PLANT MATERIALS SHALL BE SEEDED TO K-31 FESCUE PER SPECIFICATIONS.
 FOR TYPICAL ROAD SECTIONS AND CURB AND GUTTER DETAILS. SEE SHEET 10B.

LEGEND

	EXISTING	NEW
SANITARY (UNDER 12")	---	---
SANITARY (12" OR LARGER)	---	---
MANHOLE	○	○
INLET OR DRAIN	□	□
WATER	---	---
FIRE HYDRANT	⊕	⊕
YARD HYDRANT	⊕	⊕
BITUMINOUS PAVEMENT	---	---
POWER POLE	⊕	⊕
LIGHT POLE	⊕	⊕
CURB AND GUTTER	---	---
TELEPHONE PEDESTAL	⊕	⊕
GAS	---	---
CONCRETE SURFACE	---	---
CHAIN LINK FENCE	---	---
FENCE	---	---
GROUND CONTOUR	---	---
TREE	---	AS INDICATED
SHRUB	---	AS INDICATED
TOP OF PYMT. ELEV.		TP
TOP OF CURB ELEV.		TC
FLWLINE ELEV.		FL
TOP OF WALK ELEV.		TW

NOTE:
 THE LOCATIONS AND ELEVATIONS OF THE REFERENCE POINTS OF THE BERMS ARE APPROXIMATE AND WERE USED ONLY TO INSURE PROPER DRAINAGE. ALL SURFACES OF THE BERMS SHALL BE ROUNDED DURING CONSTRUCTION TO GIVE A FREE-FORM APPEARANCE. THE VERTICAL PLANTING MAY BE VARIED PLUS OR MINUS ONE-HALF FOOT DURING CONSTRUCTION AS APPROVED BY THE ENGINEER IN THE FIELD.

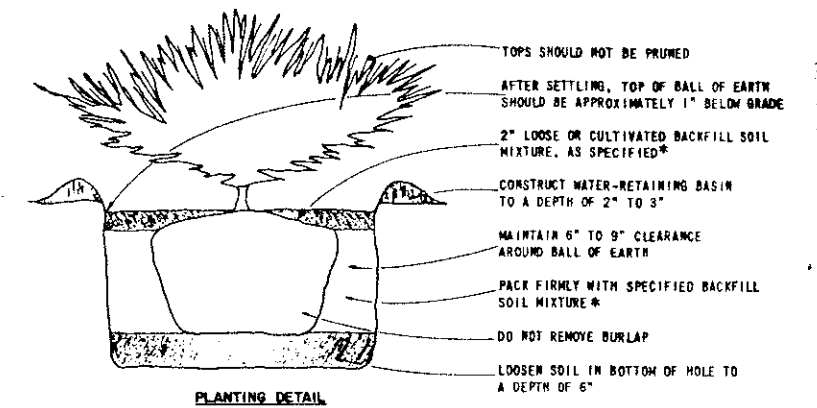
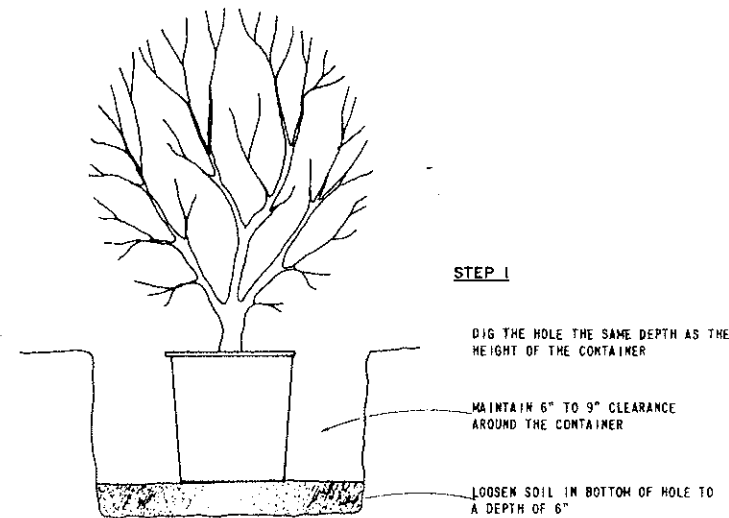
TBM #2 "O" IN TOP OF N.W. CORNER OF AERATION TANKS AT STP #1. ELEVATION 1283.20

WICHITA, KANSAS
PLANT NO. 1 PUMPING STATION
GRADING, LANDSCAPE AND PAVING PLAN

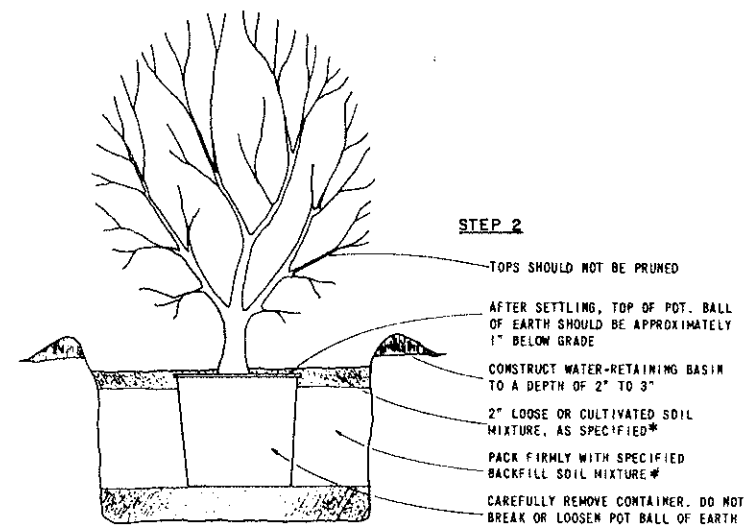
GENERAL		DATE	FILE NO.
DESIGN	RBR	APR. 78	78-1074
DRAWN	RMS		
SHELLEY WILSON ENGINEERS-ARCHITECTS-PLANNERS 200 S. WASHINGTON ST., WICHITA, KANSAS 67202			
REVISION	DATE	BY	SHEET NO. 104 OF 114

LIST OF PLANT MATERIALS

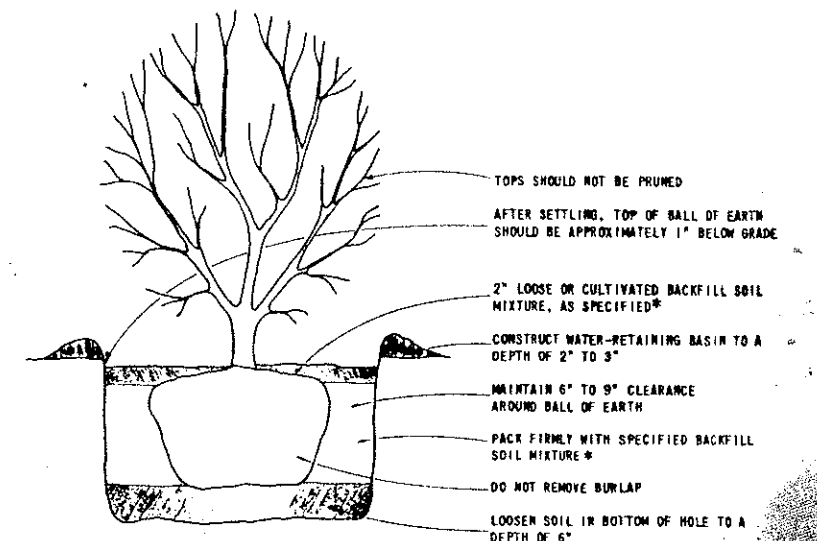
KEY NO.	QUANTITY	COMMON NAME	BOTANICAL NAME	SIZE	SPECIFICATION
CONIFEROUS EVERGREENS:					
E1	56	Tamarix Savin Juniper	Juniperus sibirica lamerscifolia	30-36 IN.	B & B
E2	13	Austrian Pine	Pinus nigra	9-10 FT.	B & B
E3	19	Golden Pfitzers Juniper	Juniperus chinensis, cv. Golden Pfitzer	30-36 IN.	B & B
BROADLEAVED EVERGREENS:					
B1	137	Lalanda Firethorn	Pyracantha coccinea laevis	30-36 IN.	5 GALLON CONTAINER
B2	1	Dreongrape	Mahonia aquifolium	30-36 IN.	B & B
SHADE AND ORNAMENTAL TREES:					
T1	9	Shademaster Honeylocust	Gleditsia triacanthos inermis, cv. Shademaster	1-1 1/2" CAL.	B & B
T2	4	Radiant Flowering Crabapple	Malus spp., cv. Radiant	6-8 FT.	B & B
T3	6	Goldenraintree	Koelreuteria paniculata	6-8 FT.	B & B
T4	3	Purple Leaf Plum	Prunus blireana	6-8 FT.	B & B
T5	1	Sweetgum	Liquidambar styraciflua	1-1 1/2" CAL.	B & B
GROUNDCOVER:					
G1	n.a.	Pennigitt Crownvetch Coronilla	Coronilla varia, cv. Pennigitt	n.a.	SEEDED PER SPECIFICATIONS



BALLED AND BURLAPPED EVERGREENS
NOT TO SCALE

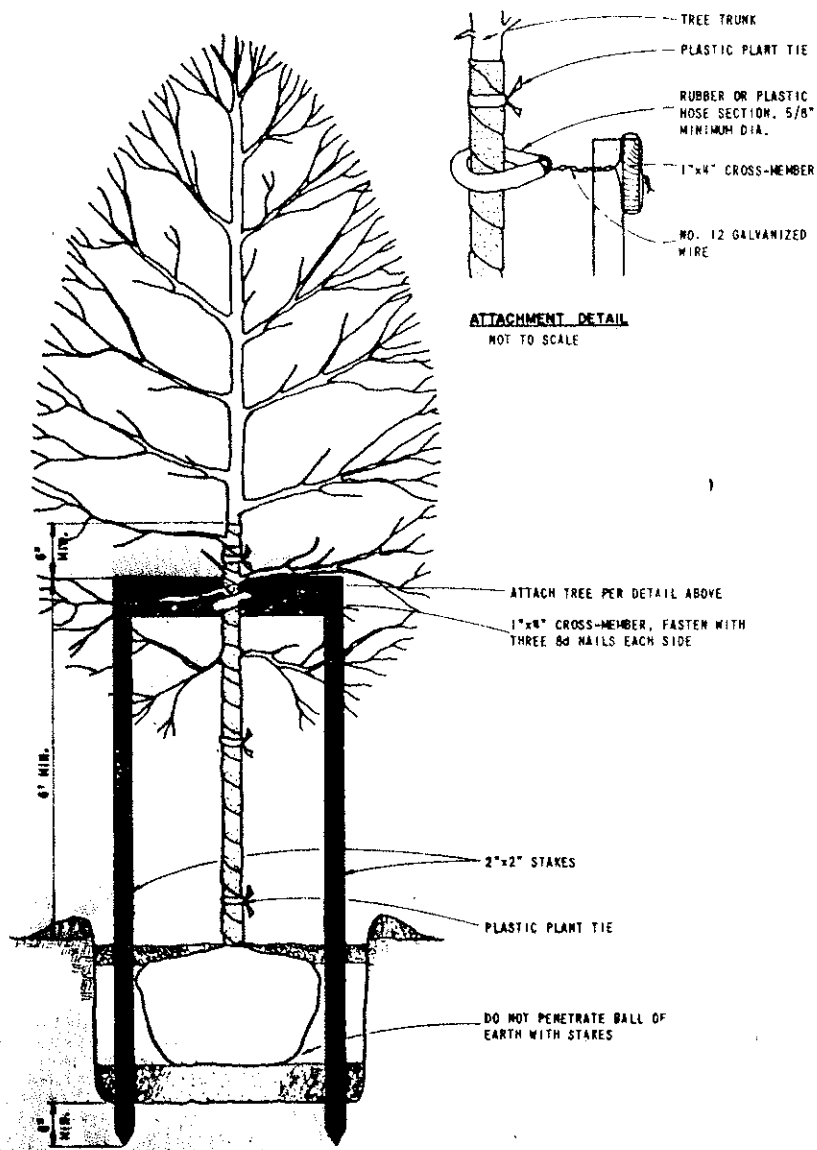


CONTAINER GROWN NURSERY STOCK
NOT TO SCALE

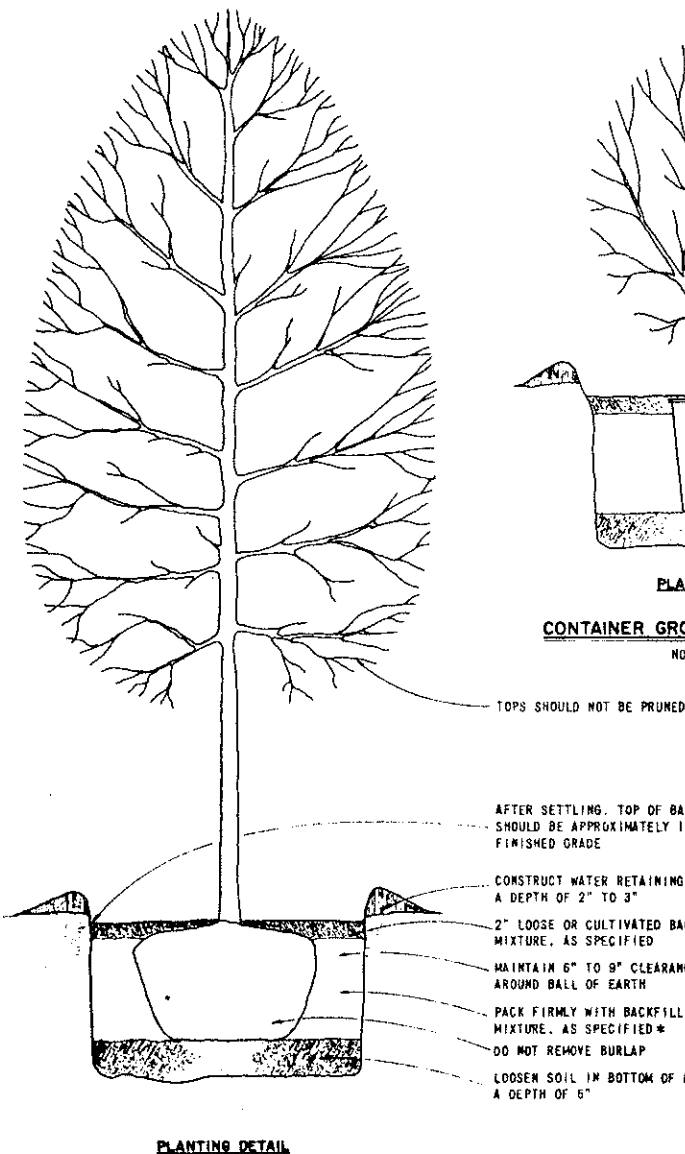


BALLED AND BURLAPPED DECIDUOUS AND BROADLEAVED EVERGREEN SHRUBS
NOT TO SCALE

*BACKFILL SOIL MIXTURE SHALL CONSIST OF ONE PART HORTICULTURAL PEATMOSS TO TEN PARTS SOIL

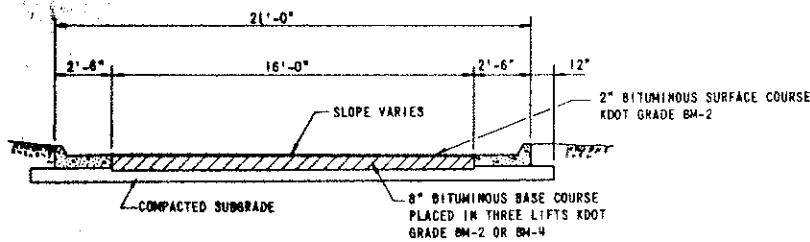


BALLED AND BURLAPPED SHADE AND ORNAMENTAL TREES
NOT TO SCALE

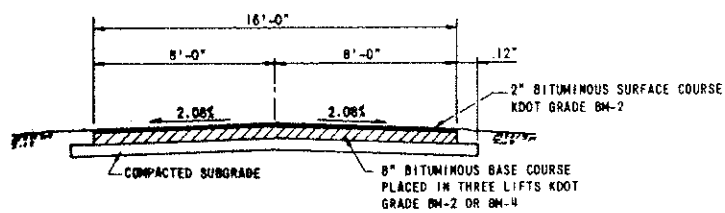


PLANTING DETAIL

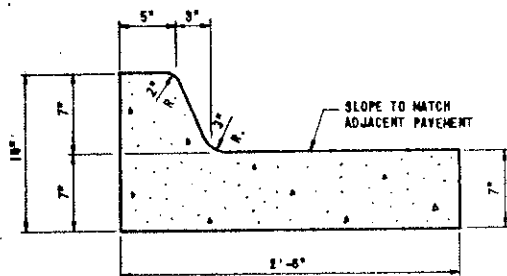
WICHITA, KANSAS		PLANT NO. 1 PUMPING STATION		LIST OF PLANT MATERIALS AND PLANTING DETAILS		GENERAL	
DESIGN	DRW	DATE	FILE NO.	SHELLEY-WILSON		ENGINEERS-ARCHITECTS-PLANNERS	
RBR	RWS	FEB 1971	11111	200 LAUREL		WICHITA, KANSAS 67201	
REVISION		DATE	BY	STATE OF KANSAS		SHEET NO. 10	



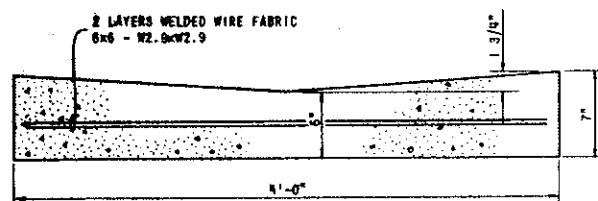
TYPICAL CURBED SECTION
1/4" = 1'-0"



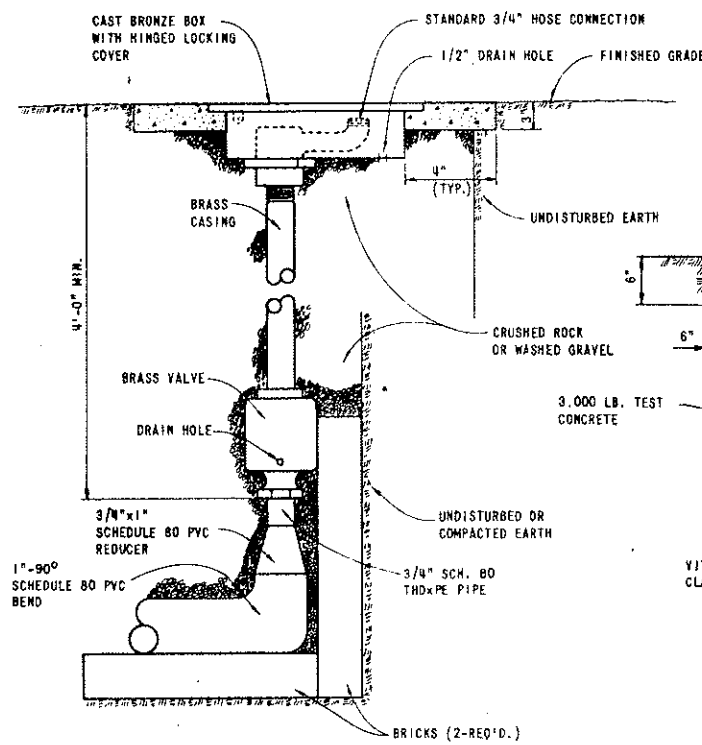
DUMP PIT ROAD SECTION
1/4" = 1'-0"



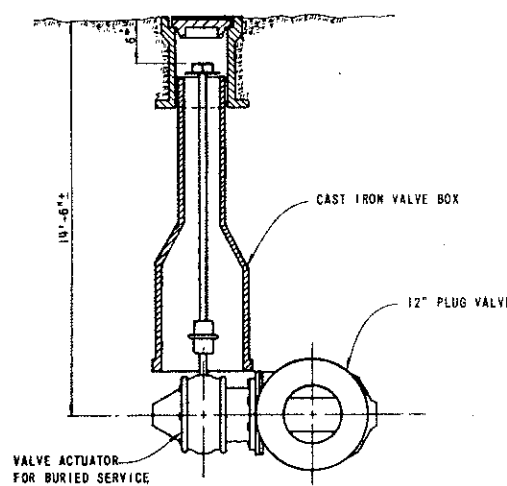
CURB AND GUTTER DETAIL
1 1/2" = 1'-0"



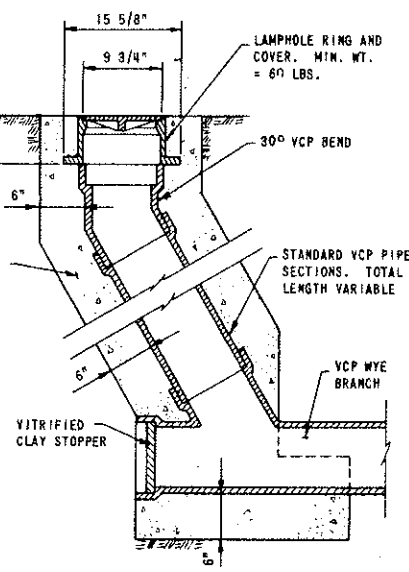
STANDARD 4' DOUBLE GUTTER
1 1/2" = 1'-0"



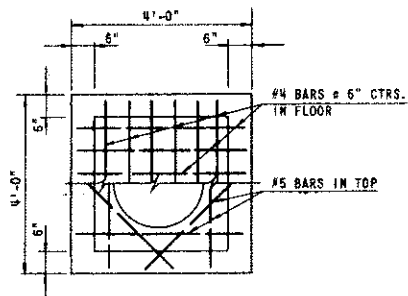
NON-FREEZE GROUND HYDRANT DETAIL
NO SCALE
(SIMILAR TO SMITH MODEL NO. 5811)



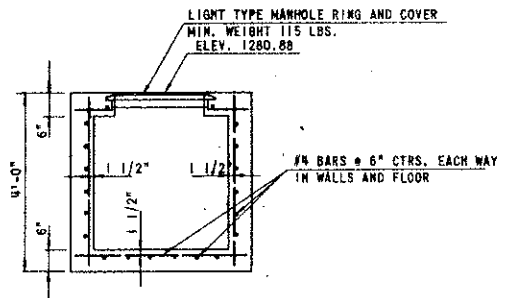
PLUG VALVE AND BOX DETAIL
NOT TO SCALE



CLEANOUT
NOT TO SCALE

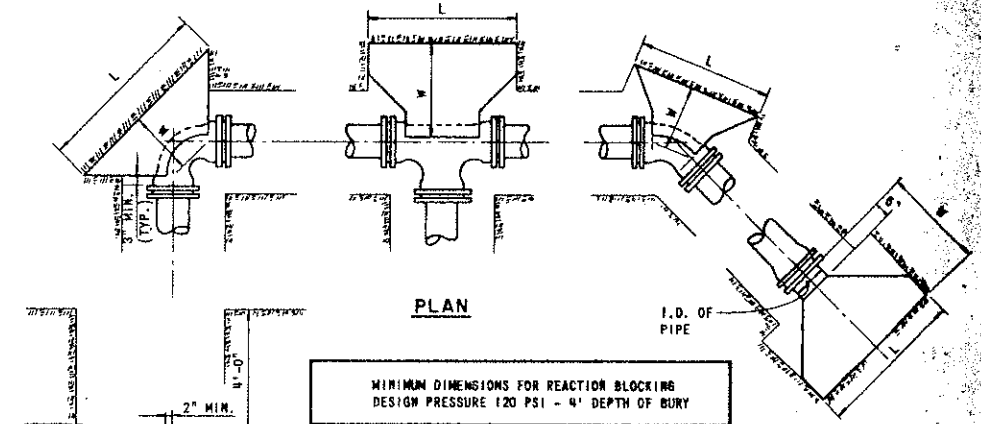


PLAN



SECTION

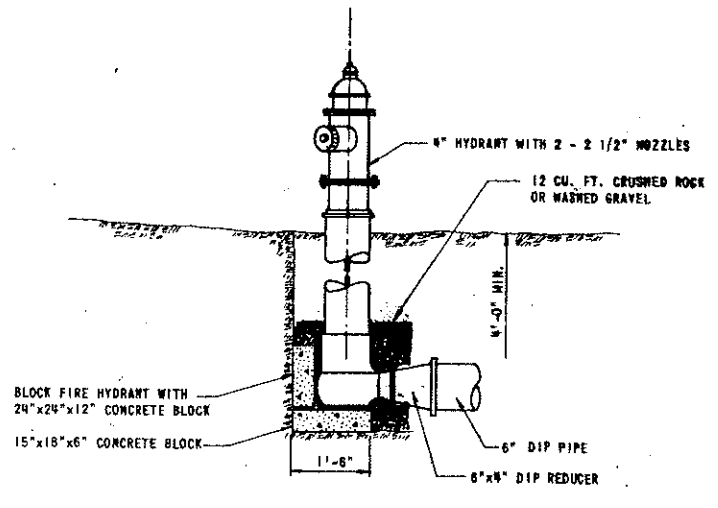
ROOF DRAIN JUNCTION MANHOLE



MINIMUM DIMENSIONS FOR REACTION BLOCKING
DESIGN PRESSURE 120 PSI - 4' DEPTH OF BURY

FITTING	LENGTH (L)	WIDTH (W)	HEIGHT (H)
6" - 90° BEND	2.0	1.5	2.0
6" - 45° BEND	1.0	1.0	1.0
6" TEE	1.5	1.0	1.5
6" PLUG	1.5	1.0	1.5

TYPICAL BLOCKING DETAIL FOR CAST IRON FITTING
NOT TO SCALE



TYPICAL FIRE HYDRANT SETTING
NOT TO SCALE



REVISION	DATE	BY

WICHITA, KANSAS
PLANT NO. 1 PUMPING STATION
PAVEMENT AND MISCELLANEOUS DETAILS
GENERAL

DESIGN: JGG
DRAWN: OFP
DATE: FEB 1971
FILE NO: 107017
SHELLY-WILSON
ENGINEERS-ARCHITECTS-PLANNERS
7547
1001 S. W. 10TH ST. WICHITA, KANSAS 67202

GENERAL NOTES

CONCRETE

REFER TO SPECIFICATIONS

CAST IRON

ALL EXPOSED CAST IRON SURFACES NOT SUBJECT TO TRAFFIC, SHALL RECEIVE ONE COAT OF A ZINC DUST PAINT APPLIED EITHER IN THE SHOP OR IN THE FIELD, AND TWO COATS OF ALUMINUM PAINT, APPLIED IN THE FIELD.

REINFORCING STEEL

ALL DIMENSIONS RELATIVE TO REINFORCING STEEL ARE TO THE CENTER OF BARS UNLESS OTHERWISE NOTED ON THE PLANS.
 REINFORCING STEEL SHALL BE #4 BARS AT 6" CENTERS AND SHALL BE 1 1/2" CLEAR DISTANCE FROM SLAB SURFACES, UNLESS OTHERWISE SHOWN ON THE PLANS.
 ALL REINFORCING STEEL SHALL BE PLACED WITHIN 1/4" OF PLAN DIMENSION

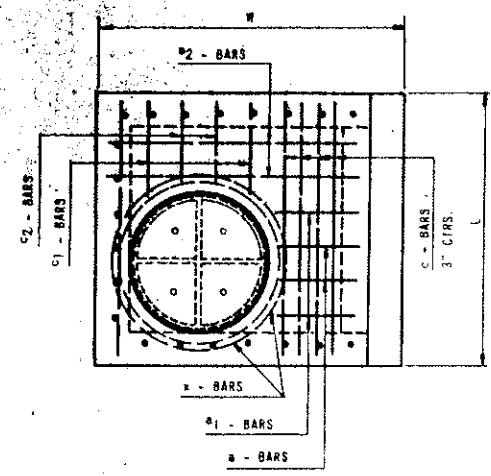
REINFORCING STEEL SHALL BE BENT AROUND ALL PIPES UNLESS OTHERWISE DIRECTED BY THE ENGINEER.

MISCELLANEOUS

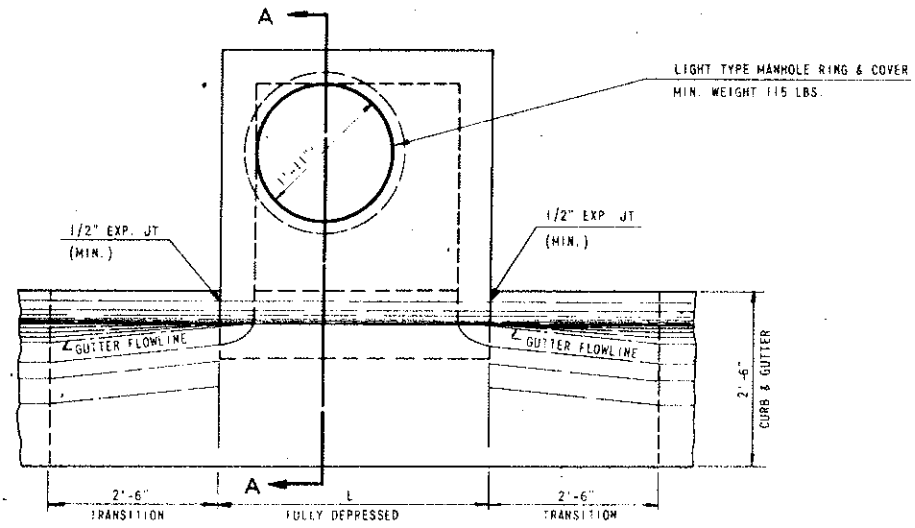
EXPANSION JOINT MATERIAL SHALL BE EITHER TOUNED JOINT SEALING COMPOUND (HOT OR COLD) OR PRE-MOLDED JOINT FILLER (NON-EXTRUDING TYPE B).

THIS DRAWING IS ADAPTED FROM KANSAS DEPARTMENT OF TRANSPORTATION CURB INLET TYPE 22, STANDARD DRAWING NO. 646.

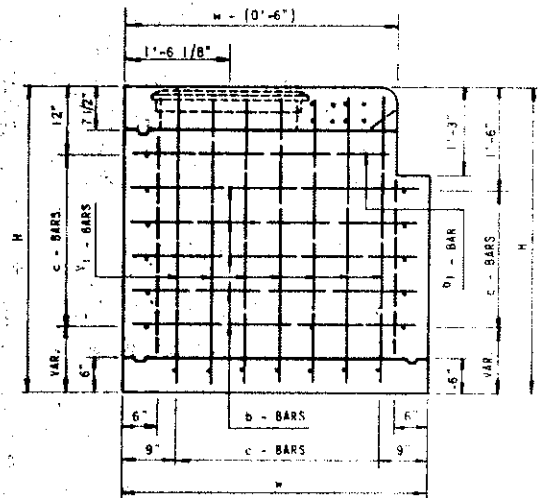
L = 4'-0"
 W = 4'-0"
 H = 3'-9"



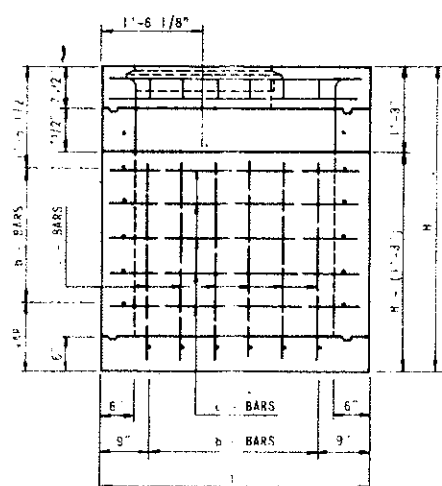
TOP VIEW



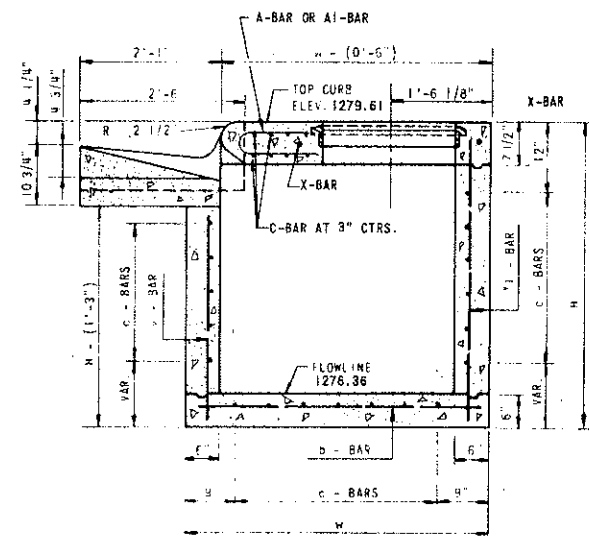
PLAN



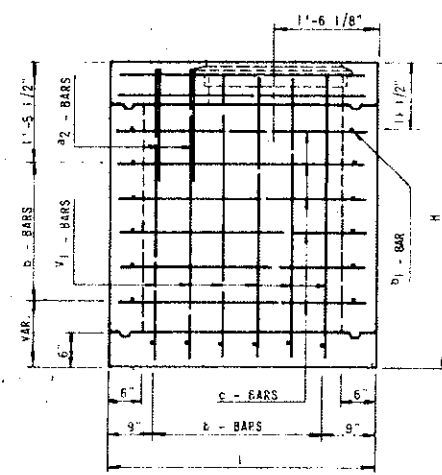
SIDE VIEW



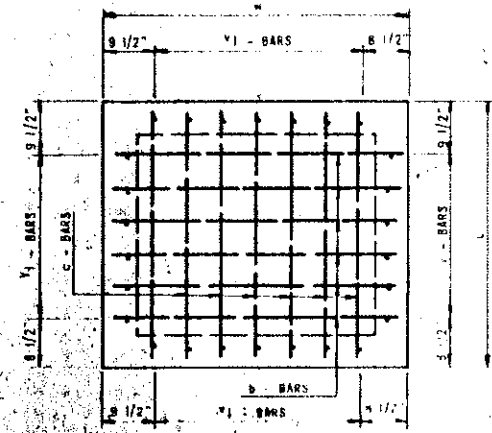
FRONT VIEW



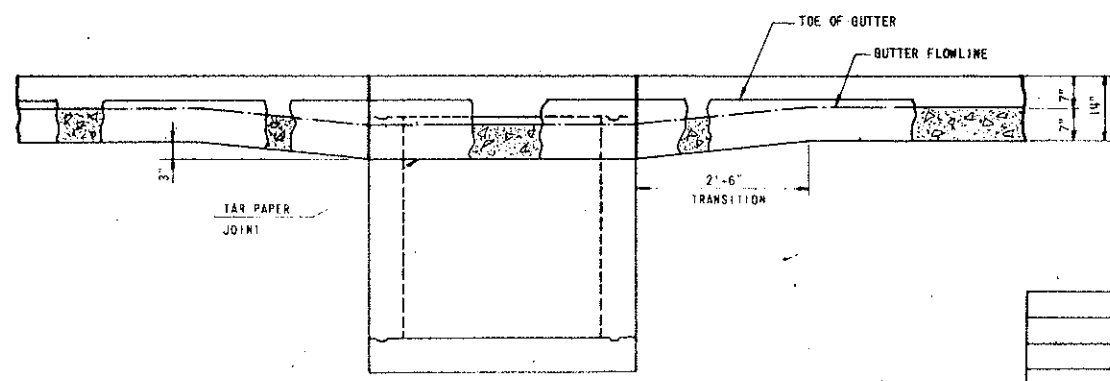
SECTION A-A



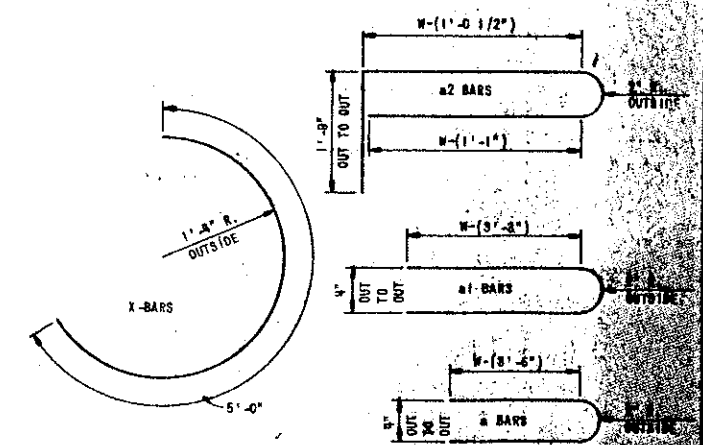
REAR VIEW



BOTTOM VIEW



GUTTER TRANSITION



BENDING DIAGRAMS

NO SCALE

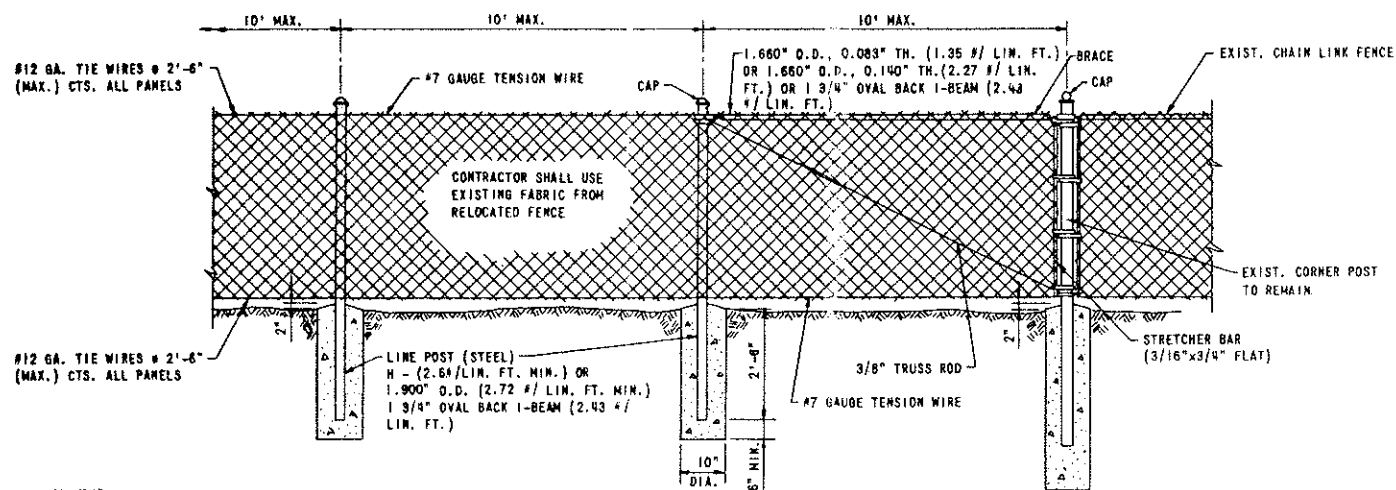
WICHITA, KANSAS
 PLANT NO. 1 PUMPING STATION
 STORM DRAIN INLET DETAIL
 GENERAL

DESIGN DCT	DRAW RAL
5294	

SHELLEY-WILSON
 ENGINEERS-ARCHITECTS-PLANNERS

REVISION	DATE	BY

DATE	
FILE NO.	
SHEET NO.	
OF	



GENERAL NOTE:
ALL CONCRETE USED IN FENCE INSTALLATION SHALL CONFORM TO THE REQUIREMENTS OF THE SPECIFICATIONS.

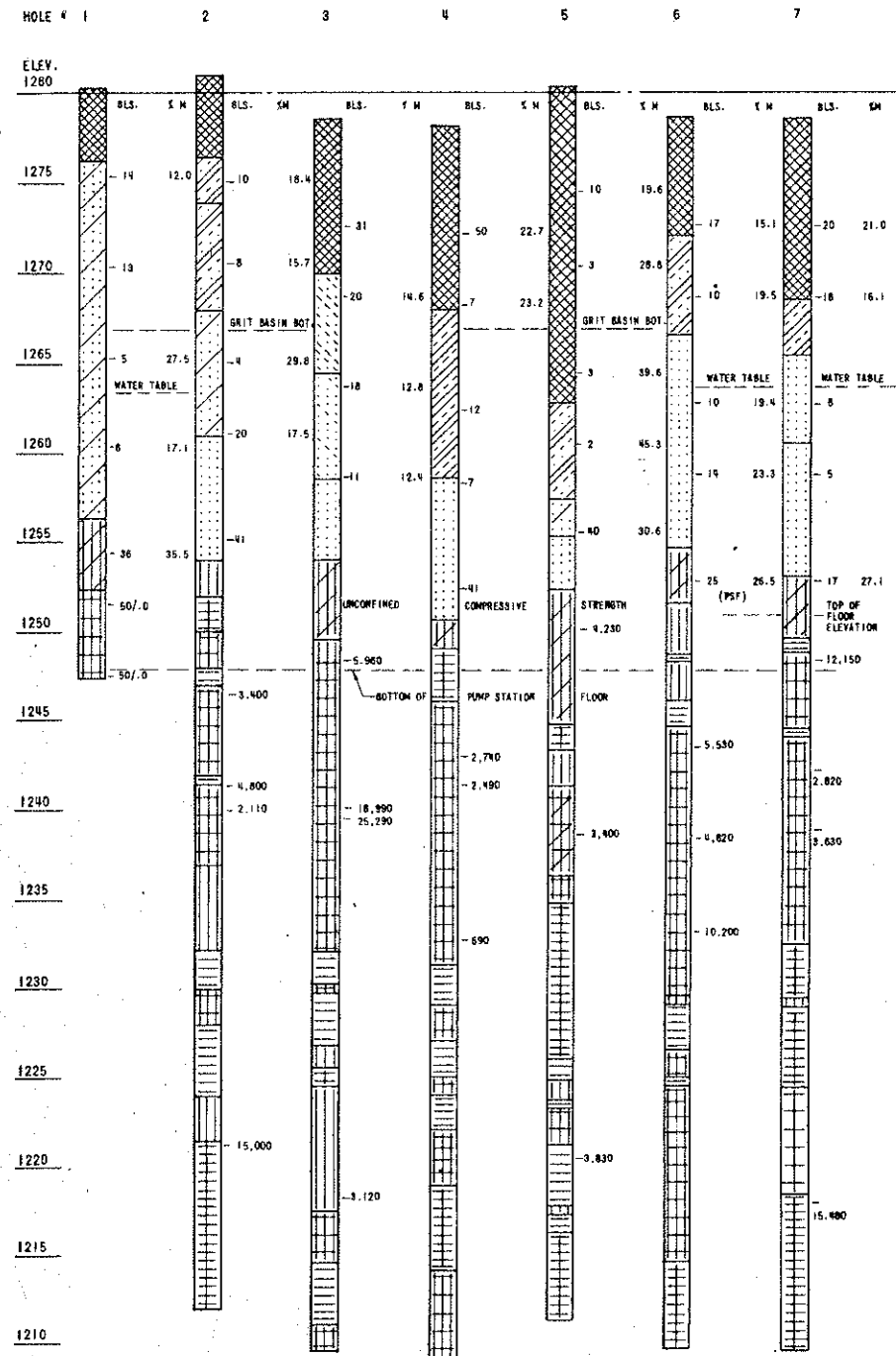
ALL STEEL POSTS, AND HARDWARE SHALL BE GALVANIZED.
OUTSIDE DIAMETERS SHOWN FOR TUBULAR STEEL POSTS AND BRACING ARE NOMINAL.

CHAIN LINK FENCE

NO SCALE

(ADAPTED FROM KANSAS DEPARTMENT OF TRANSPORTATION STANDARD NO. 670)

TEST HOLE BORING LOG



LEGEND

- FILL
- SILTY CLAY
- SANDY SILT
- SILTY SANDY CLAY
- SAND WITH CLAY LAYERS
- SILTY SAND
- SAND
- CLAYEY SHALE
- SHALE
- CLAYEY SHALE WITH GYPSUM SEAMS
- SHALE WITH GYPSUM SEAMS
- GYPSUM WITH SHALE SEAMS
- GYPSUM

NOTE:

COMPLETE COPIES OF THE SOILS REPORT CAN BE INSPECTED AT ANY OF THE FOLLOWING LOCATIONS:

WILSON & COMPANY ENGINEERS & ARCHITECTS
631 EAST CRAWFORD
SALINA, KANSAS

WILSON & COMPANY ENGINEERS & ARCHITECTS
218 NORTH WACO
WICHITA, KANSAS

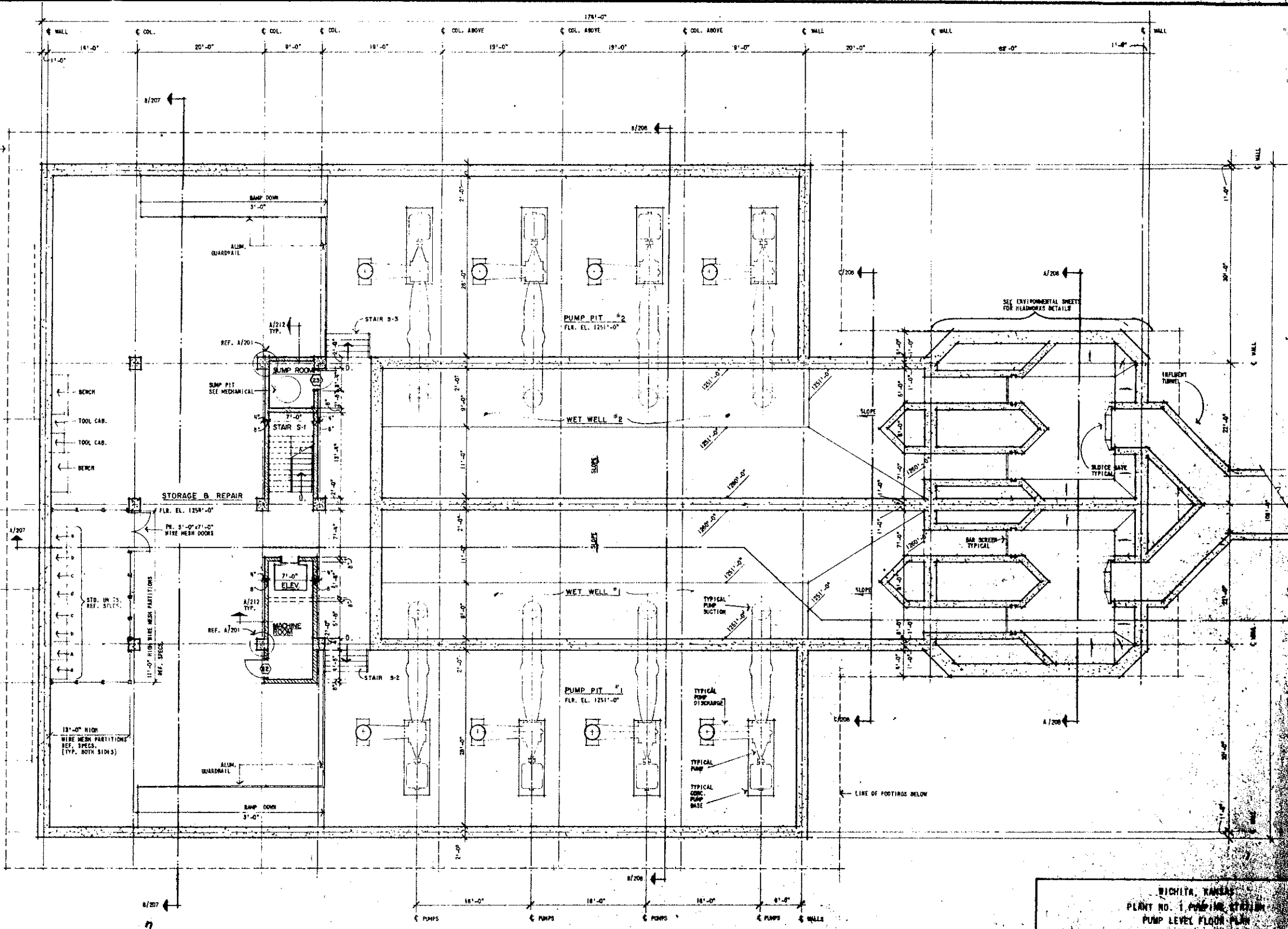
WILSON & COMPANY ENGINEERS & ARCHITECTS
719 STATE
KANSAS CITY, KANSAS



NOTE - SOILS REPORT	APR. 78	JGG
DESIGN	JGG	DRAWN
		RAL
REVISION	DATE	BY

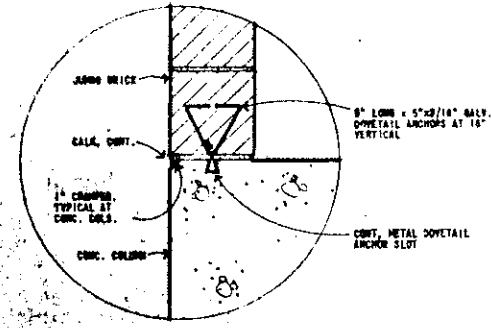
WICHITA, KANSAS
PLANT NO. 1 PUMPING STATION
MISCELLANEOUS DETAILS
GENERAL

DATE: APR. 78	FILE NO: 7-1512
SHELLEY-WILSON ENGINEERS-ARCHITECTS-PLANNERS	
124 CADDO & BENTON, KANSAS CITY, MISSOURI	



PUMP LEVEL FLOOR PLAN
1/8" = 1'-0"

- NOTES TO PLAN**
1. REF. SHEET NO. 214 FOR HANDRAIL AND GUARDRAIL DETAILS.
 2. REF. SHEET NO. 202 FOR BUILDING MATERIAL AND SYMBOLS KEY.
 3. REF. SPECIFICATIONS FOR FURNITURE AND EQUIPMENT.

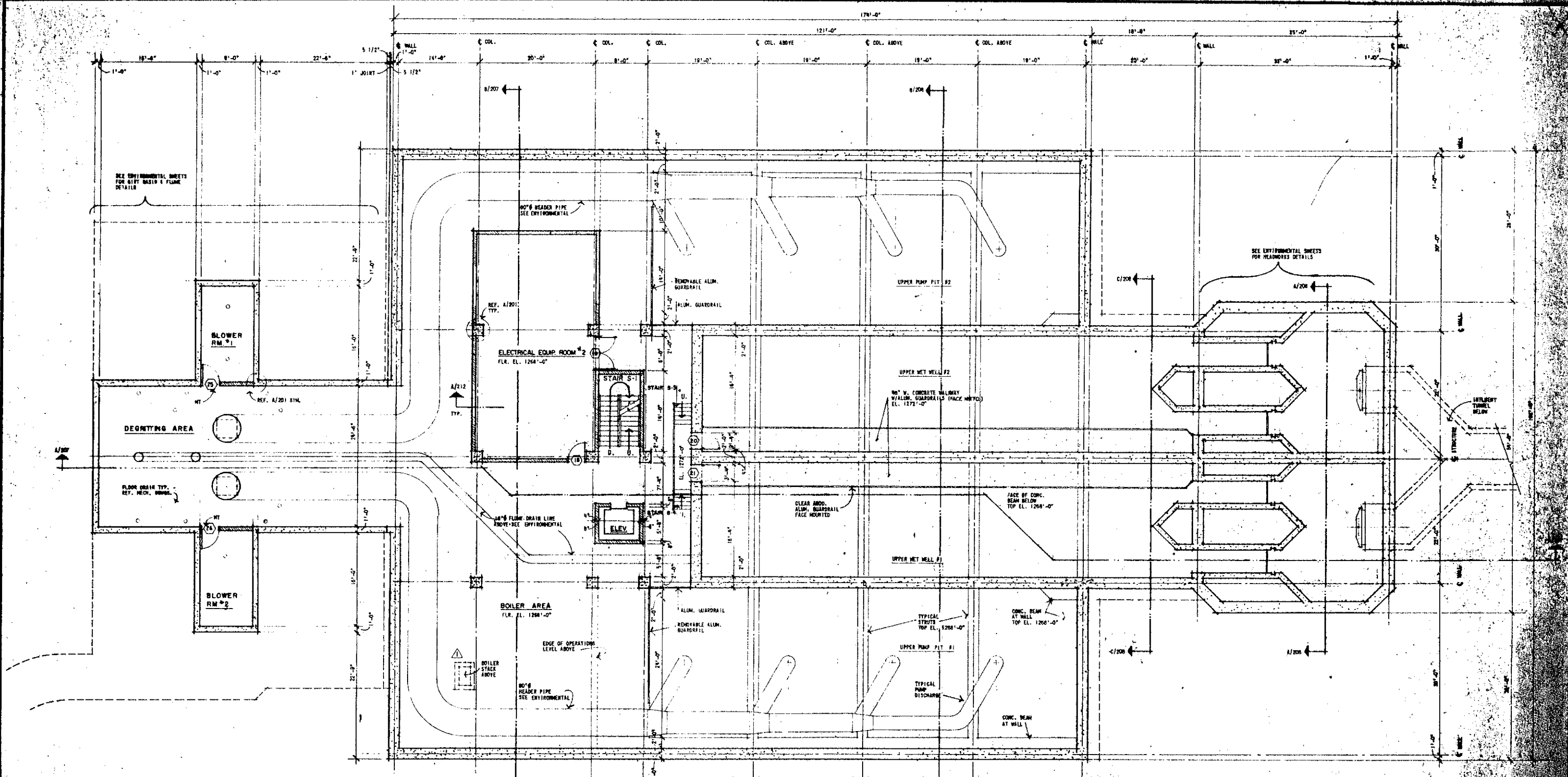


A TYPICAL BRICK ANCHORAGE / JOINT TREATMENT of CONC. COL.
1/8" = 1'-0"

NICHITA, KANSAS
PLANT NO. 1 PUMPING STATION
PUMP LEVEL FLOOR PLAN
ARCHITECTURAL

NO.	REVISION	DATE	BY	CHKD.	APP'D.	DESIGN	DRWN
						REV.	REV.





BUILDING MATERIAL KEY

	CONCRETE SECTION		WOOD BLOCKING		METAL STUD		RIGID INSUL.
	BRICK		QUARRY TILE		METAL		INSUL. CONC.

INTERMEDIATE LEVEL FLOOR PLAN
1/8" = 1'-0"

NOTES TO PLAN
1. REF. SHEET NO. 214 FOR HARDRAIL AND GUARDRAIL DETAILS.

SYMBOLS KEY

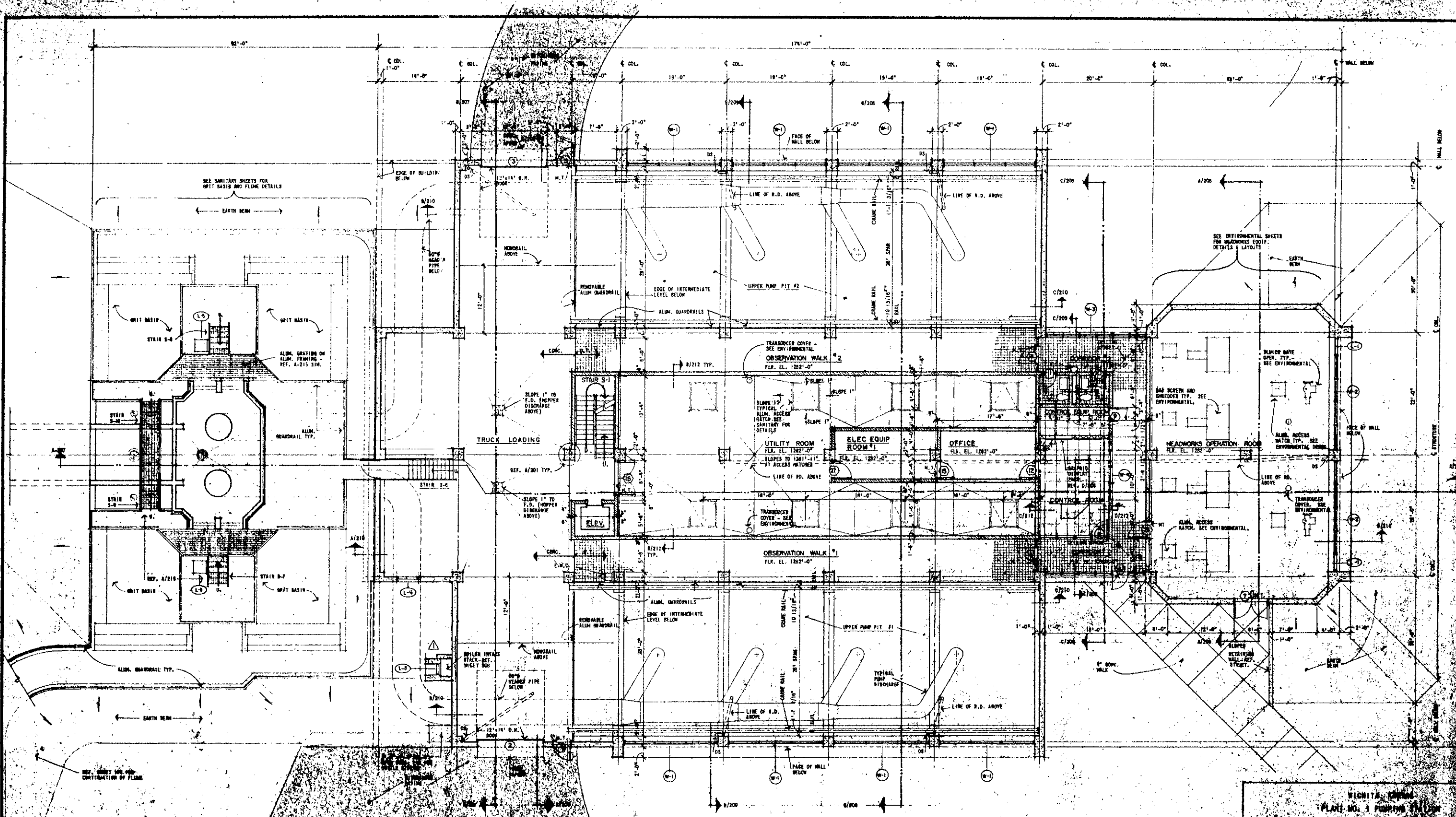
- REFER SECTION A, SHEET 000 FOR SECTION INDICATED
- DOOR MARK
- WINDOW (LOUVER) MARK
- POINT ELEVATION

REMOVED BOILER STACK	APR. 78	JOB	DESIGN	DRW
REVISION				

WICHITAZ RANGAS
PLANT NO. 1 PUMPING STATION
INTERMEDIATE LEVEL FLOOR PLAN
ARCHITECTURAL

WARDY COOPER
1959

DATE



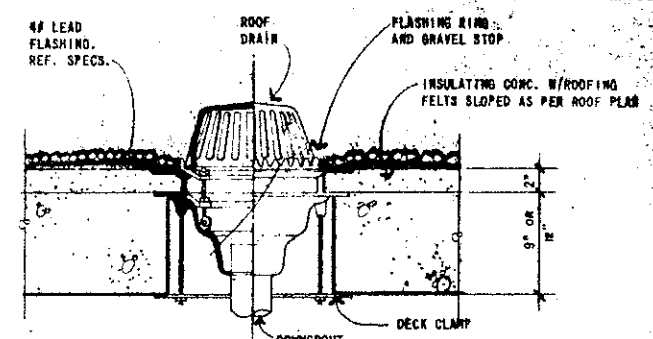
OPERATIONS LEVEL FLOOR PLAN

1/8" = 1'-0"

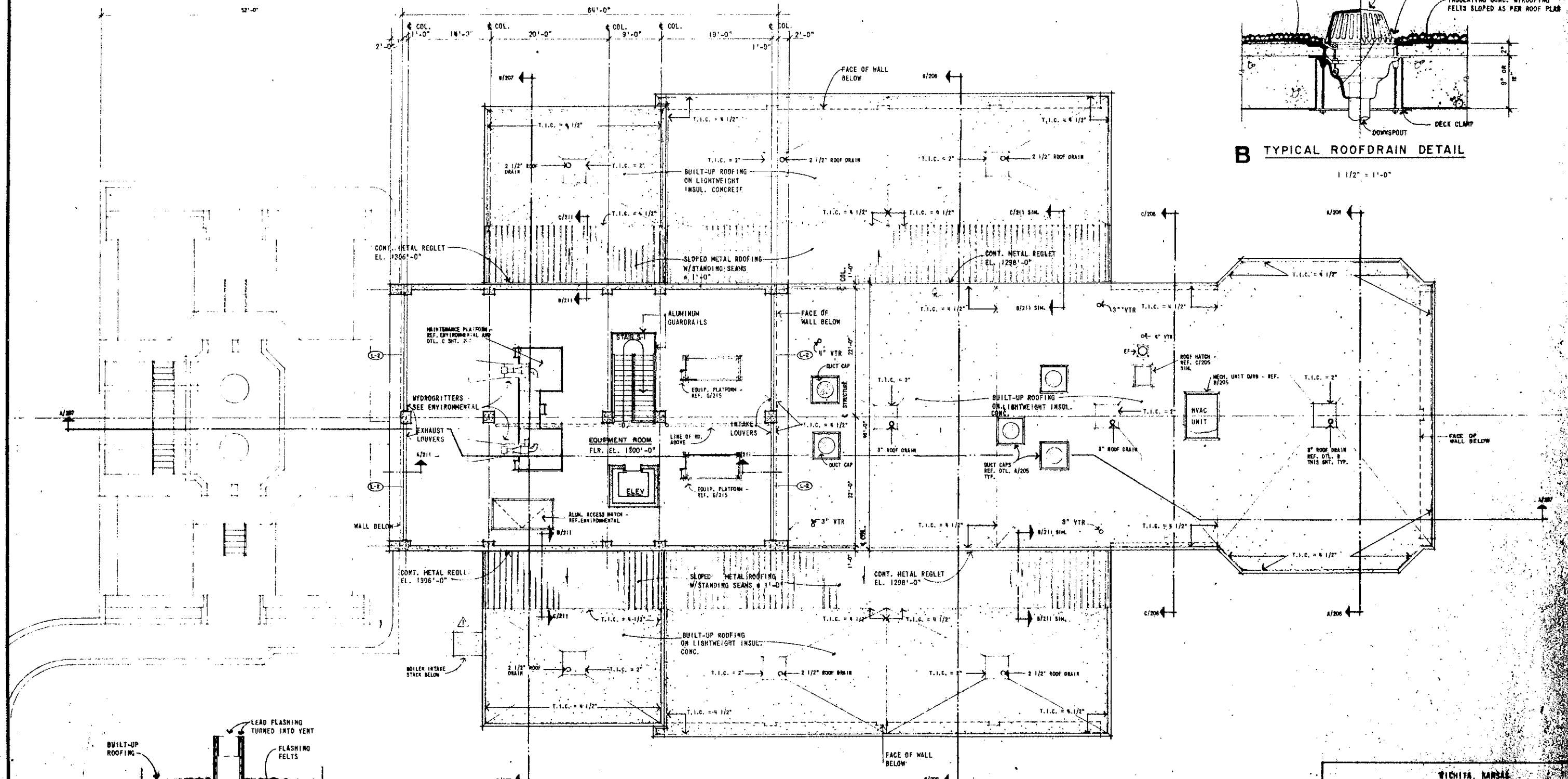
- NOTES TO PLAN
- REF. SHEET NO. 214 FOR HANDRAIL AND GUARDRAIL DETAILS.
 - REF. SHEET NO. 202 FOR BUILDING MATERIAL AND SYMBOLS KEY.
 - FOR POSITIVE LOCATED IN OFFICE AND CONTROL ROOM, REF. SPECIFICATIONS.

REMOVED BOILER STACK	APR. 78	JMS	REV.	DATE	BY

WICHITA COUNTY
PLANT NO. 1 PUMPING STATION
OPERATIONS LEVEL FLOOR PLAN
ARCHITECTURAL

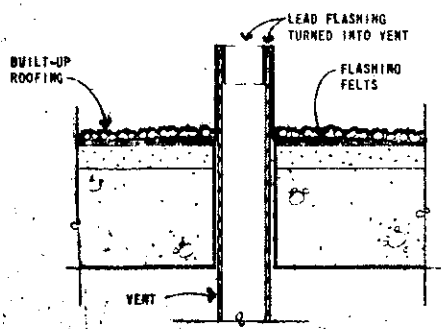


B TYPICAL ROOFDRAIN DETAIL
1 1/2" = 1'-0"



MEZZANINE LEVEL FLOOR PLAN
1/8" = 1'-0"

- NOTES TO PLAN
1. REF. SHEET 214 FOR HANDRAIL AND GUARDRAIL DETAILS.
 2. REF. SHEET 215 FOR ALUMINUM GRATINGS DETAILS.
 3. "T.I.C." DENOTES "THICKNESS OF INSULATING CONCRETE".
 4. "V.T.R." DENOTES "VENT THROUGH ROOF". REF. DTL. A THIS SRT.
 5. "E.F." DENOTES "EXHAUST FAN". REF. DTL. C/205.



A PLUMBING VENT DETAIL
1 1/2" = 1'-0"

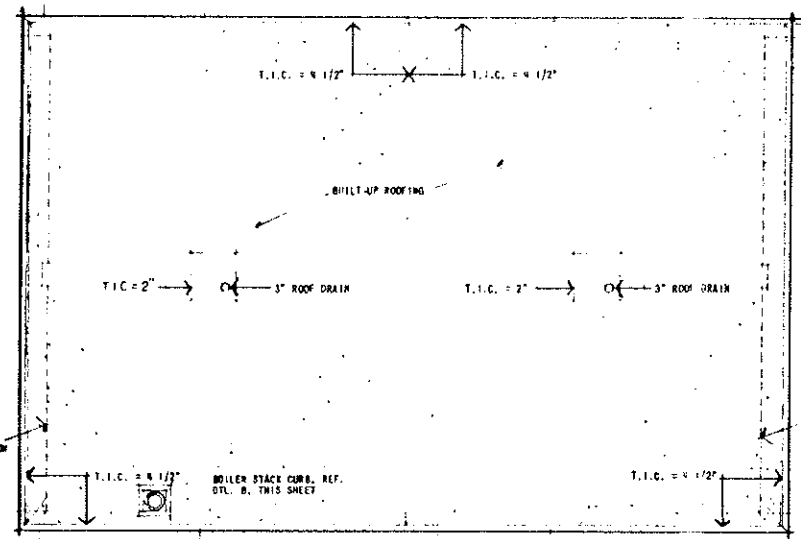
WICHITA, KANSAS
PLANT NO: 4 PUMPING STATION
MEZZANINE LEVEL FLOOR PLAN
ARCHITECTURAL

REMOVED BOILER STACK	APR. 78	JGG	DESIGN	DRAWN
			ENVY	ENVY

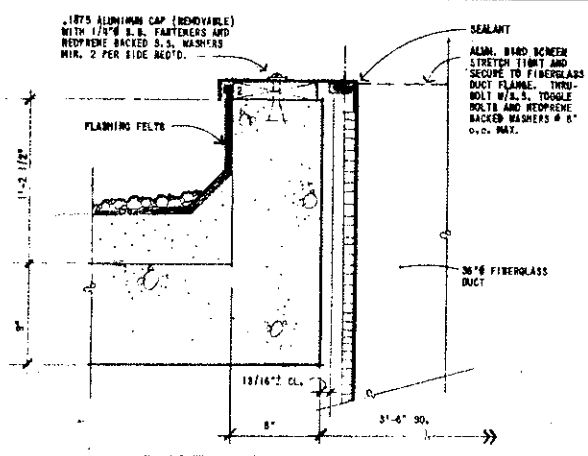
WARD & COOPER
1988

ROOF BELOW - SEE MEZZANINE LEVEL PLAN ON SHEET 20*

ROOF BELOW - SEE MEZZANINE LEVEL PLAN ON SHEET 20*



MEZZANINE ROOF PLAN
1/8" = 1'-0"

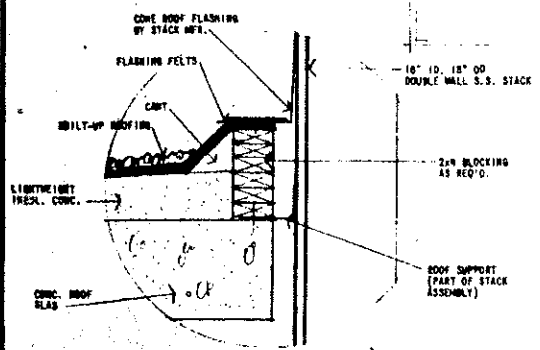


A DUCT CAP DETAIL
1 1/2" = 1'-0"

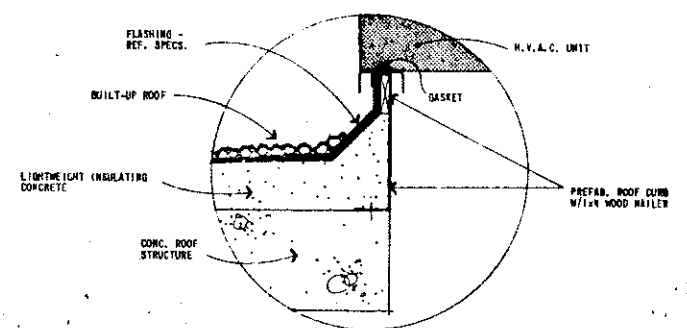
FINISH SCHEDULE						
ROOM NAME	FLOOR	BASE	WALLS	CEILING	CLG. HT.	REMARKS
PUMP WELL #1 AND 2	CONC.	-	CONC.	CONC.	(2)	
STORAGE & REPAIR	CONC.	-	CONC. BRICK	CONC.	(2)	
MACHINES ROOM	CONC.	-	CONC./BRICK	CONC.	(2)	
BLMP ROOM	CONC.	-	CONC./BRICK	CONC.	(2)	
BOILER AREA	CONC.	-	CONC. BRICK	CONC.	(2)	
ELECTRICAL EQUIP. RM. #2	CONC.	-	CONC./BRICK	CONC.	(2)	
DEBITTING AREA	CONC.	-	CONC.	CONC.	(2)	
BLOWER ROOM 1 AND 2	CONC.	-	CONC.	CONC.	(2)	
HEADWORKS OPERATION RM.	CONC.	-	CONC.	CONC.	(2)	
CORRIDOR #1 AND 2	O.T.	-	CONC. BRICK	AC. TILE	CLG. HT. 8'-0" AND 10'-0"	
OFFICE	V.A.T.	-	BRICK	AC. TILE	8'-0"	
CONTROL ROOM	V.A.T. ON ACCESS FLR.	-	V.C.G.W.B. CONC. BRICK	AC. TILE	8'-0"	
CONTROL EQUIP. ROOM	V.A.T. ON ACCESS FLR.	-	V.C.G.W.B./BRICK	AC. TILE	8'-0"	
WOMEN'S TOILET	O.T.	-	BRICK	AC. TILE	8'-0"	
MEN'S TOILET	O.T.	-	BRICK	AC. TILE	8'-0"	
ELECTRICAL EQUIP. RM. #1	CONC.	-	CONC./BRICK	CONC.	(2)	
UTILITY ROOM	CONC.	-	CONC.	CONC.	(2)	FLOOR SLOPED TO DRAIN
OBSERVATION MALE #1 & 2	O.T.	-	CONC. BRICK	CONC.	(2)	
TRUCK LOADING AREA	CONC.	-	CONC. BRICK	CONC.	(2)	
EQUIPMENT ROOM	CONC.	-	CONC. BRICK	CONC.	(2)	
STAIR S-1	CONC.	-	CONC. BRICK	CONC.	(2)	

NOTES:

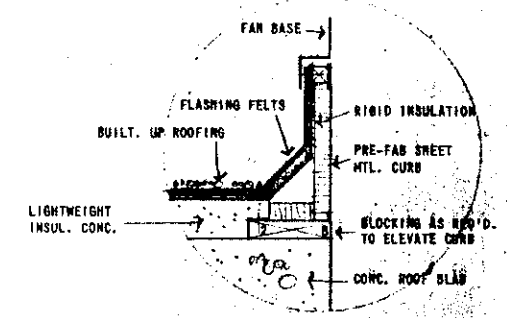
- BRICK AS SCHEDULED INDICATES 8" JUNBO BRICK. SEE SPECS.
 - CLG. HT. VARIES AS STRUCTURED.
 - ABBREVIATIONS:
 - AC. - ACOUSTICAL
 - CONC. - CONCRETE
 - FLR. - FLOOR
- V.A.T. - VINYL ASBESTOS TILE
 V.C.G.W.B. - VINYL COVERED GYPSUM WALLBOARD
 Q.T. - QUARRY TILE



D BOILER STACK FLASHING DETAIL
1 1/2" = 1'-0"



B MECH. UNIT ROOF CURB DETAIL
1 1/2" = 1'-0"



C FAN CURB DETAIL
1 1/2" = 1'-0"

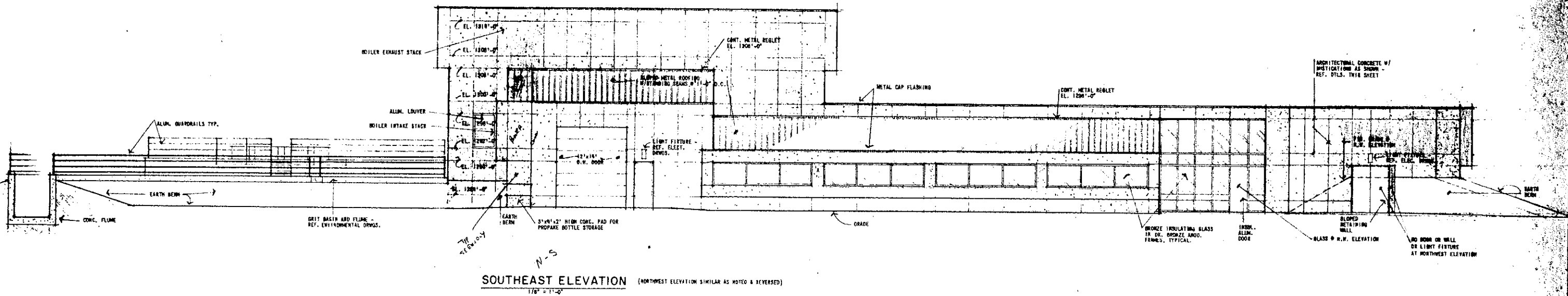
- NOTES TO PLAN**
- "T.I.C." DENOTES "THICKNESS OF LIGHTWEIGHT INSULATING CONCRETE".

REMOVED BOILER STACK	APR. 76	JOB	DESIGN	DATE	BY
			REVISION	DATE	BY

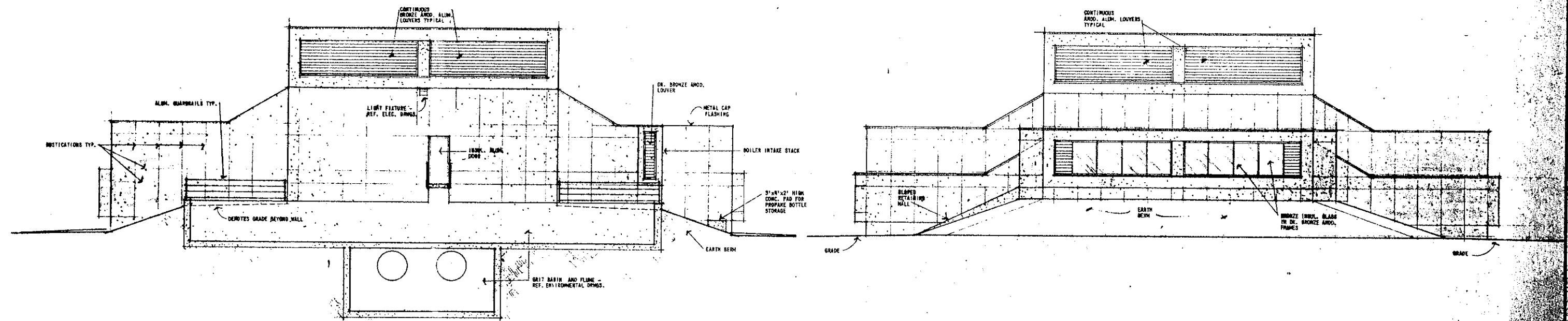
WICHITA, KANSAS
 PLANT NO. 1 PUMPING STATION
 MEZZANINE ROOF PLAN AND FINISH SCHEDULE
 ARCHITECTURAL

WARD H. COOPER
 1959

SHELLEY WILSON
 ENGINEERS-ARCHITECTS-PLANNERS

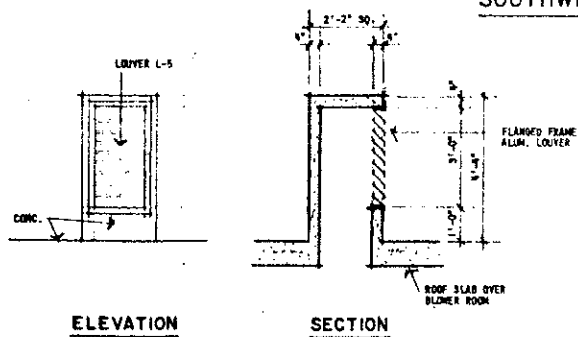


SOUTHEAST ELEVATION (NORTHWEST ELEVATION SIMILAR AS NOTED & REVERSED)
 1/8" = 1'-0"

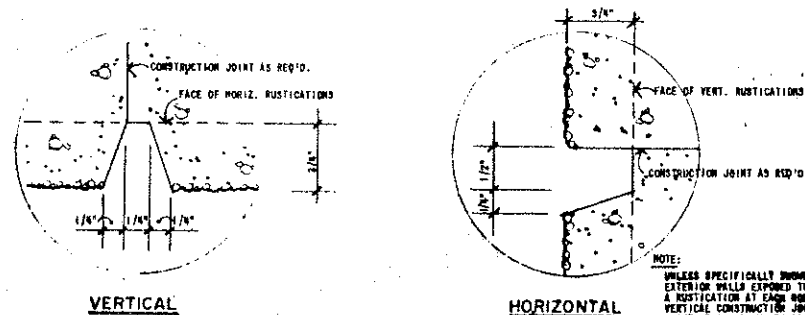


SOUTHWEST ELEVATION
 1/8" = 1'-0"

NORTHEAST ELEVATION
 1/8" = 1'-0"



BLOWER ROOM AIR SHAFT DETAILS
 3/8" = 1'-0"



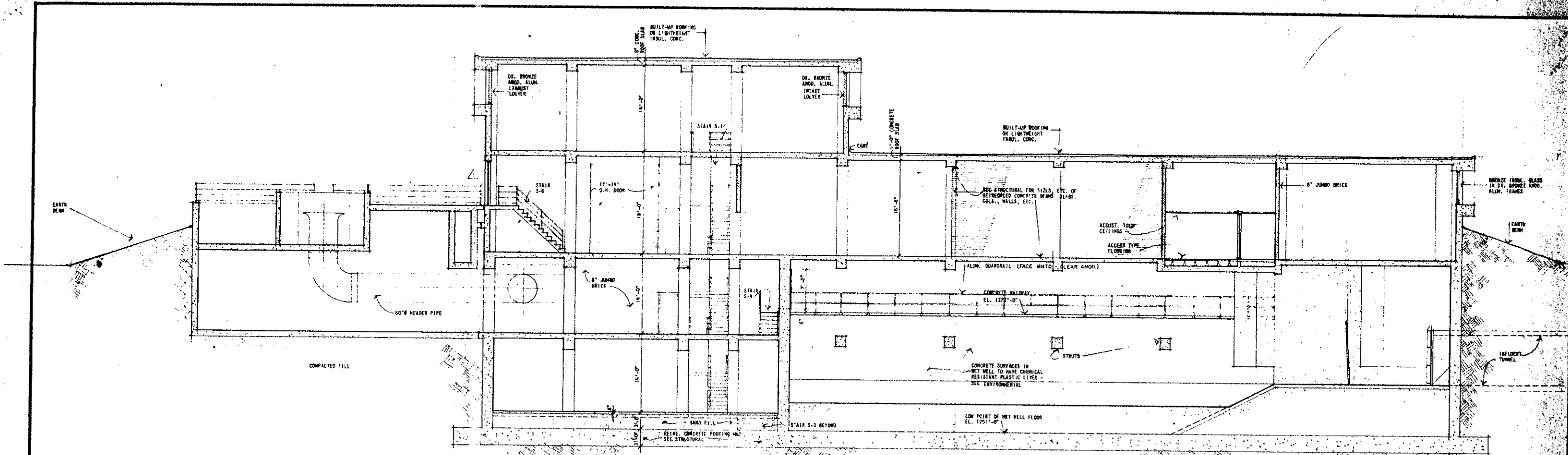
TYPICAL RUSTICATION DETAILS
 FULL SIZE

NOTE:
 UNLESS SPECIFICALLY SHOWN OTHERWISE, INTERIOR AND EXTERIOR WALLS EXPOSED TO VIEW SHALL HAVE A RUSTICATION AT EACH HORIZONTAL AND VERTICAL CONSTRUCTION JOINT. CONSTRUCTION JOINTS SHALL BE RESTRICTED TO THE LOCATION INDICATED. APPROVAL FROM THE ARCHITECT IS NECESSARY FOR USING ADDITIONAL CONSTRUCTION JOINTS.

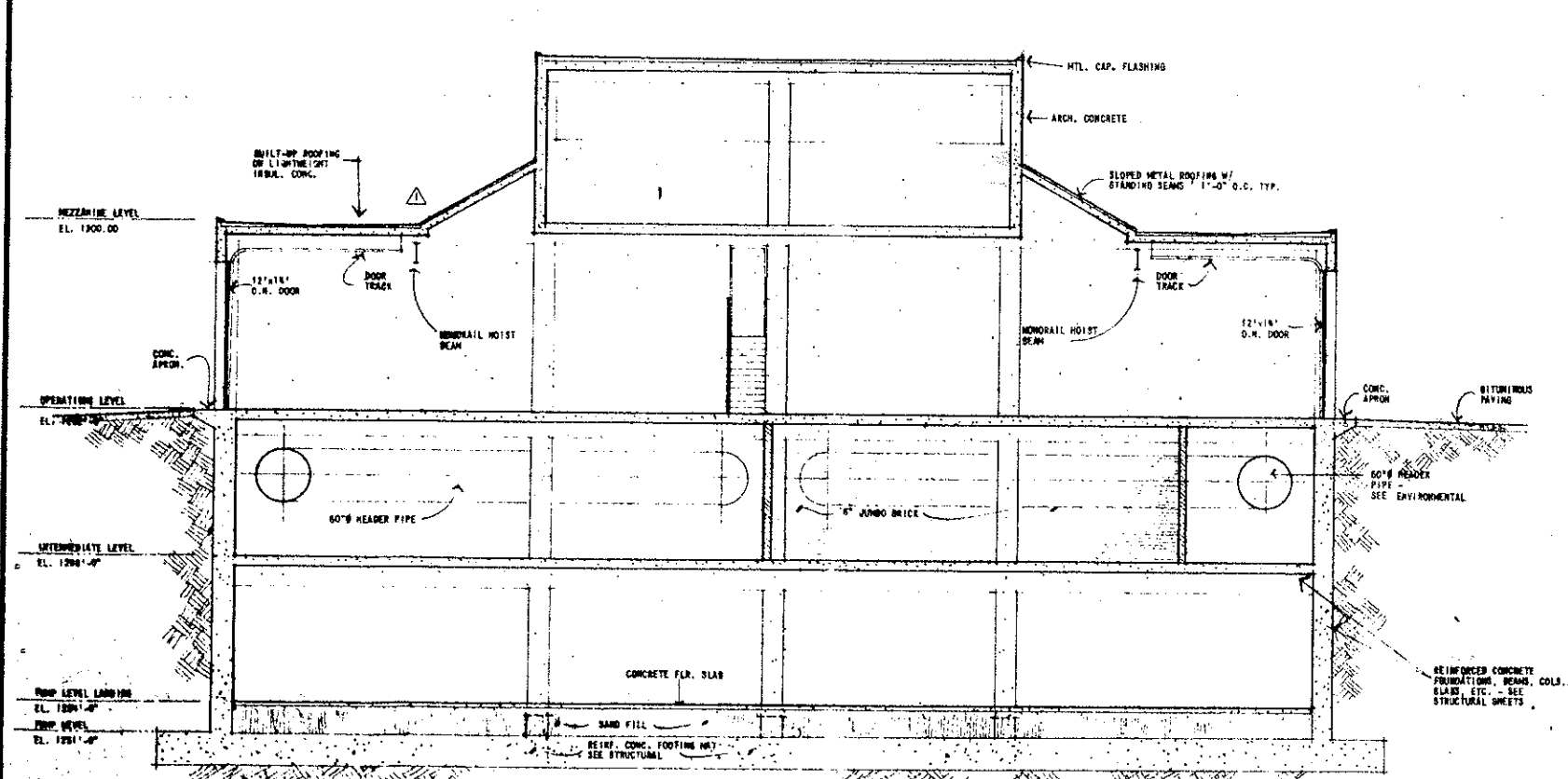
REVISION	DATE	BY

WICHITA, KANSAS
 PLANT NO. 1 PUMPING STATION
 BUILDING ELEVATIONS
 ARCHITECTURAL

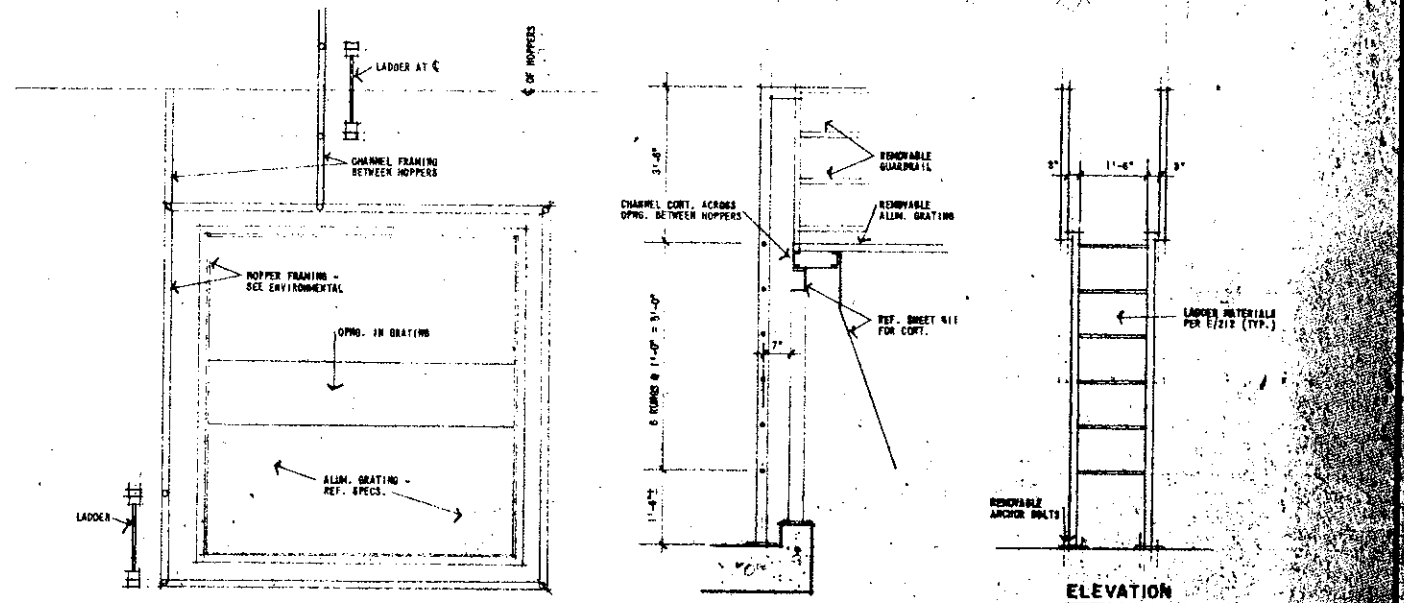
DESIGN RHW	DRAWN RHW	DATE FEB 27 1958



A LONGITUDINAL SECTION
1/8" = 1'-0"



B CROSS SECTION
1/8" = 1'-0"



C MAINTENANCE PLATFORM DETAILS
1/2" = 1'-0"

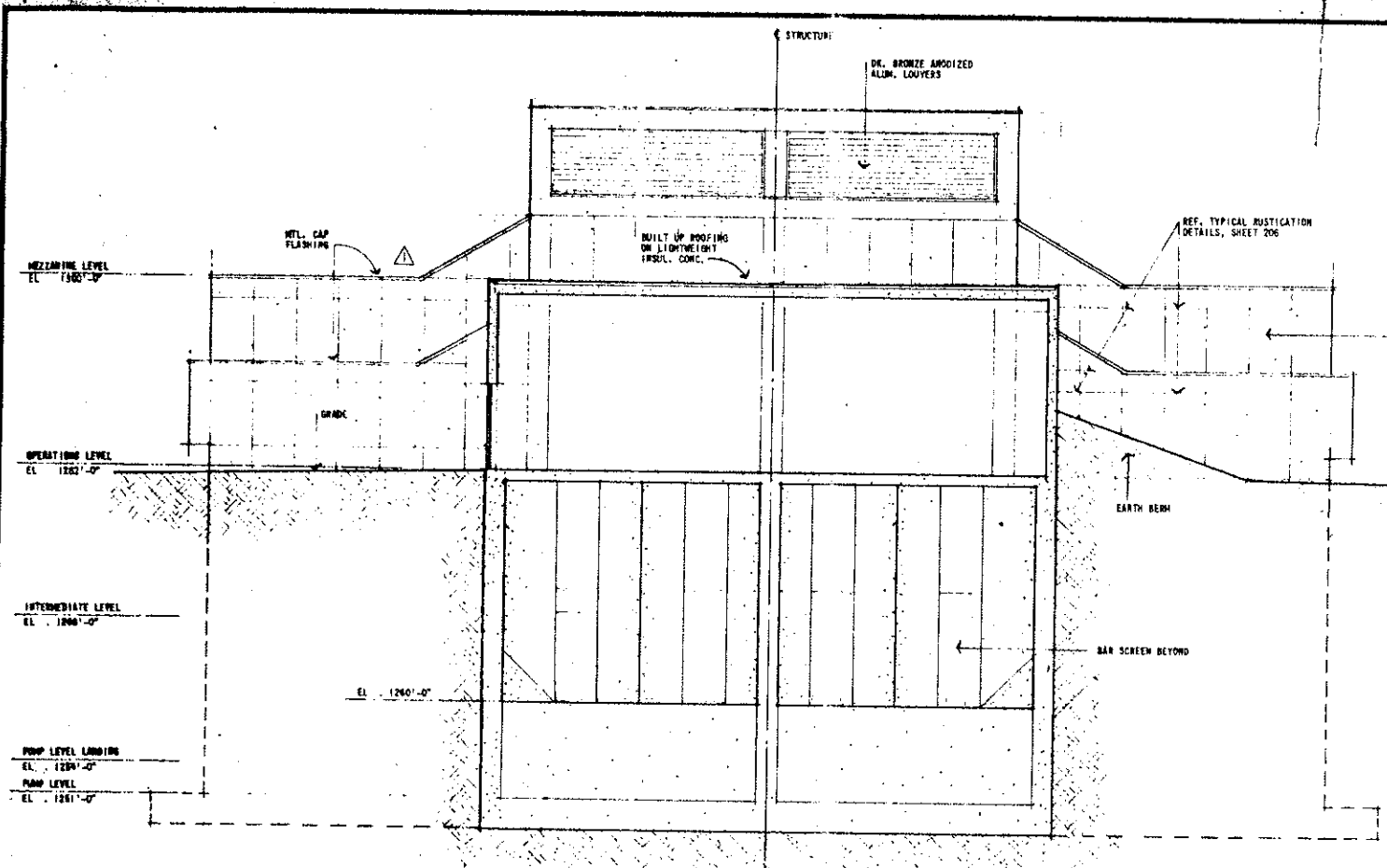
REVISION	DATE	BY

WICHITA, KANSAS
PLANT NO. 1 PUMPING STATION
BUILDING SECTIONS
ARCHITECTURAL

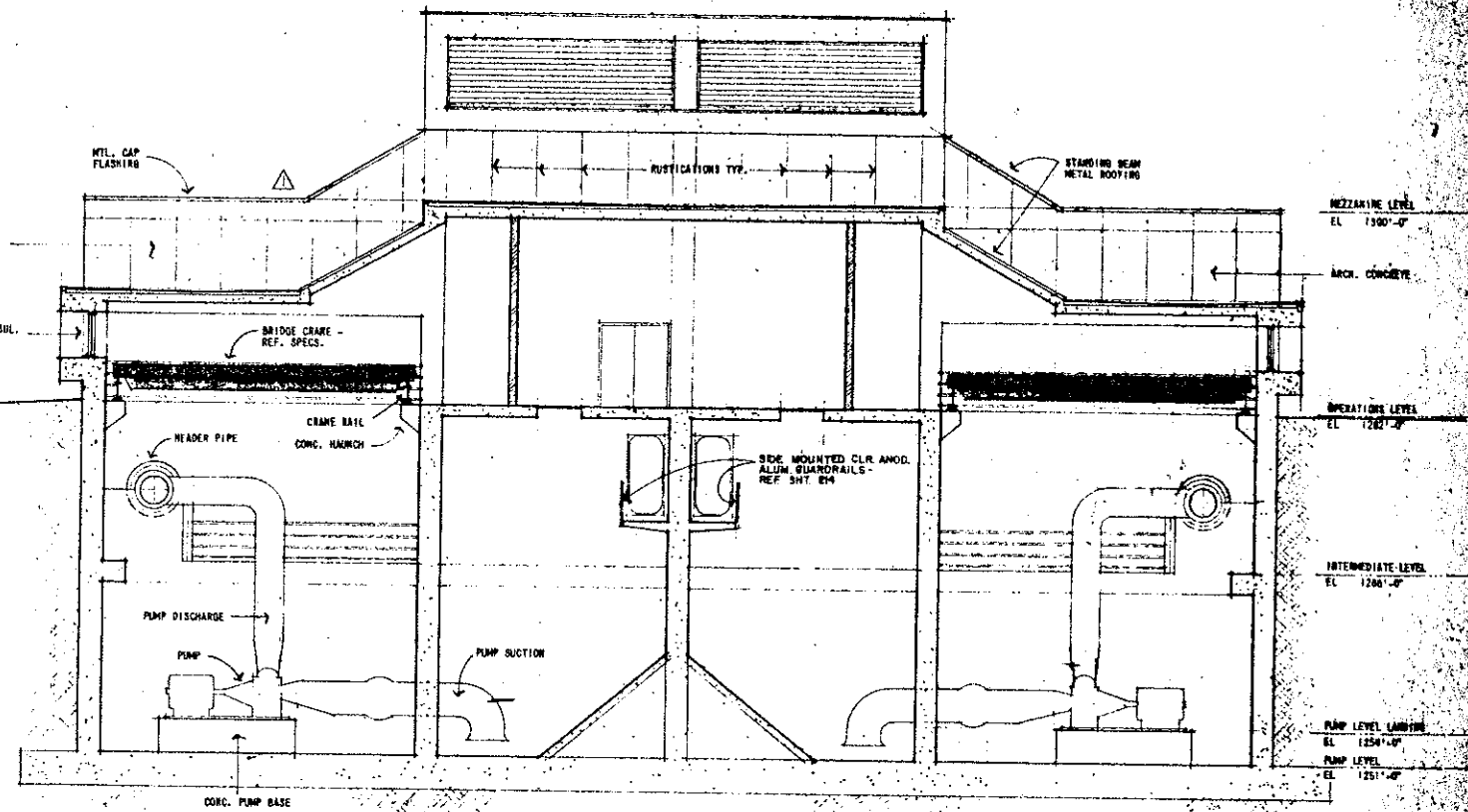
DESIGN: APR. 78
JOB: JGG
BY: RVE
CHECKED: RVE

SHELLEY-WILSON
ENGINEERS-ARCHITECTS-PLANNERS

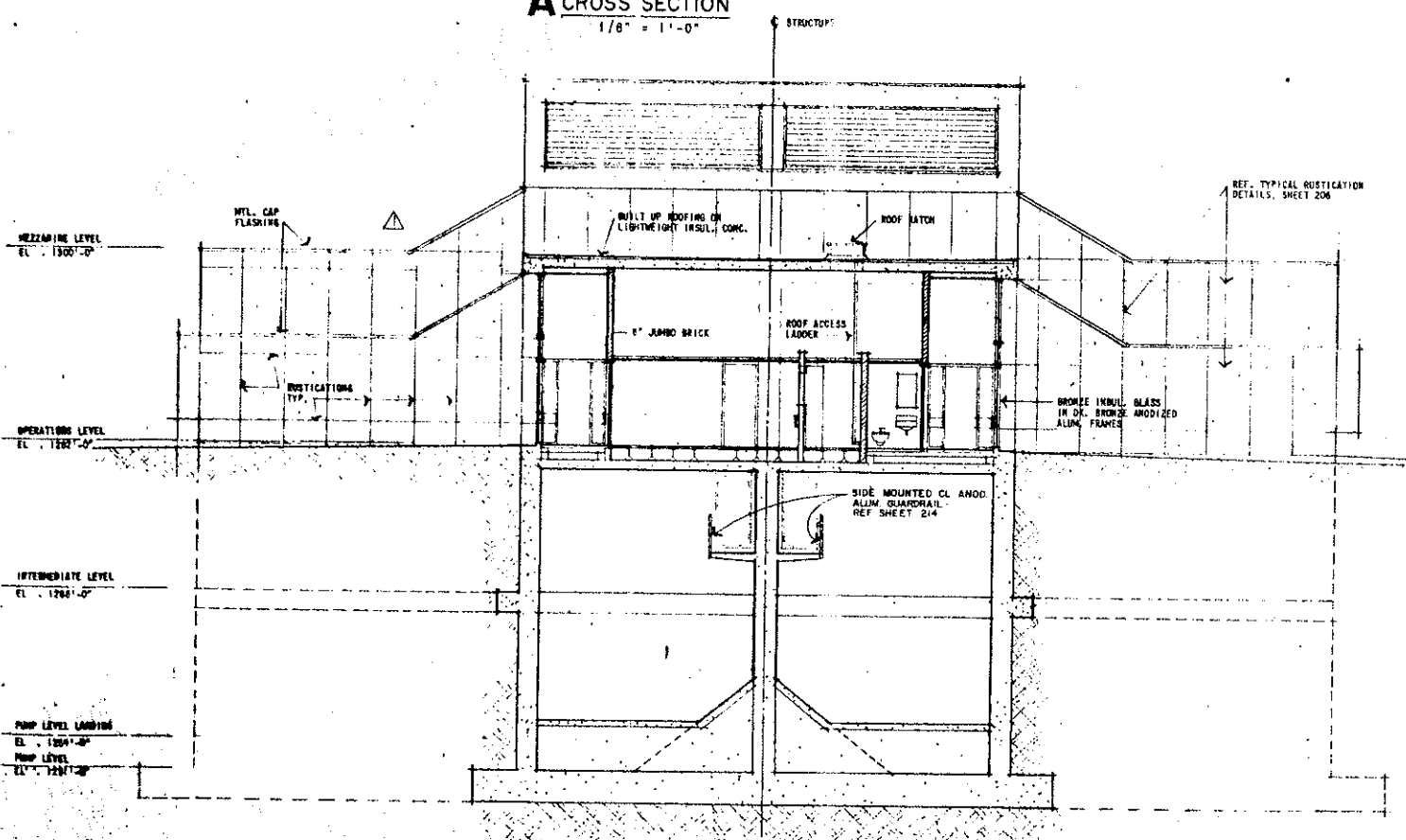
DATE: 4/78
FILE NO.: 1059
SHEET NO.: 11



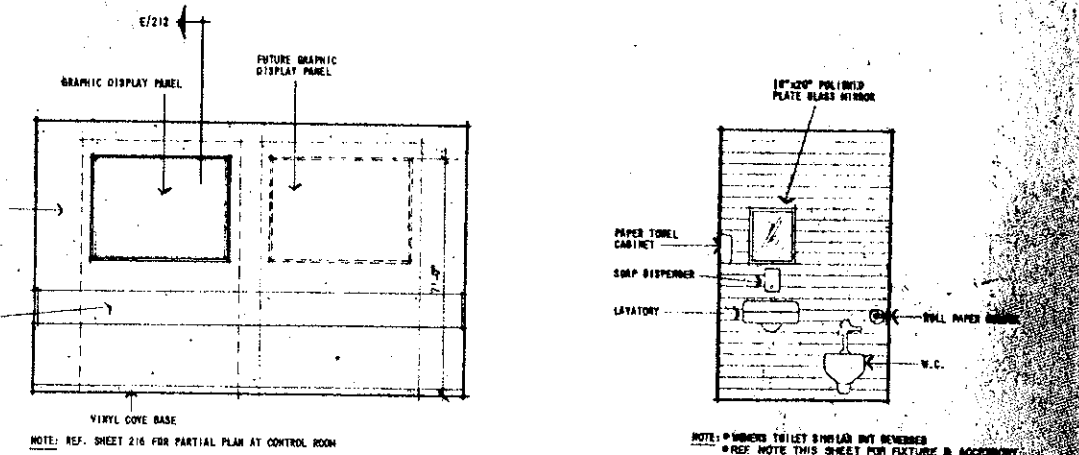
A CROSS SECTION
1/8" = 1'-0"



B CROSS SECTION
1/8" = 1'-0"



C CROSS SECTION
1/8" = 1'-0"



D WALL ELEVATION - CONTROL RM.
3/8" = 1'-0"

E WALL ELEVATION - M.T.
3/8" = 1'-0"

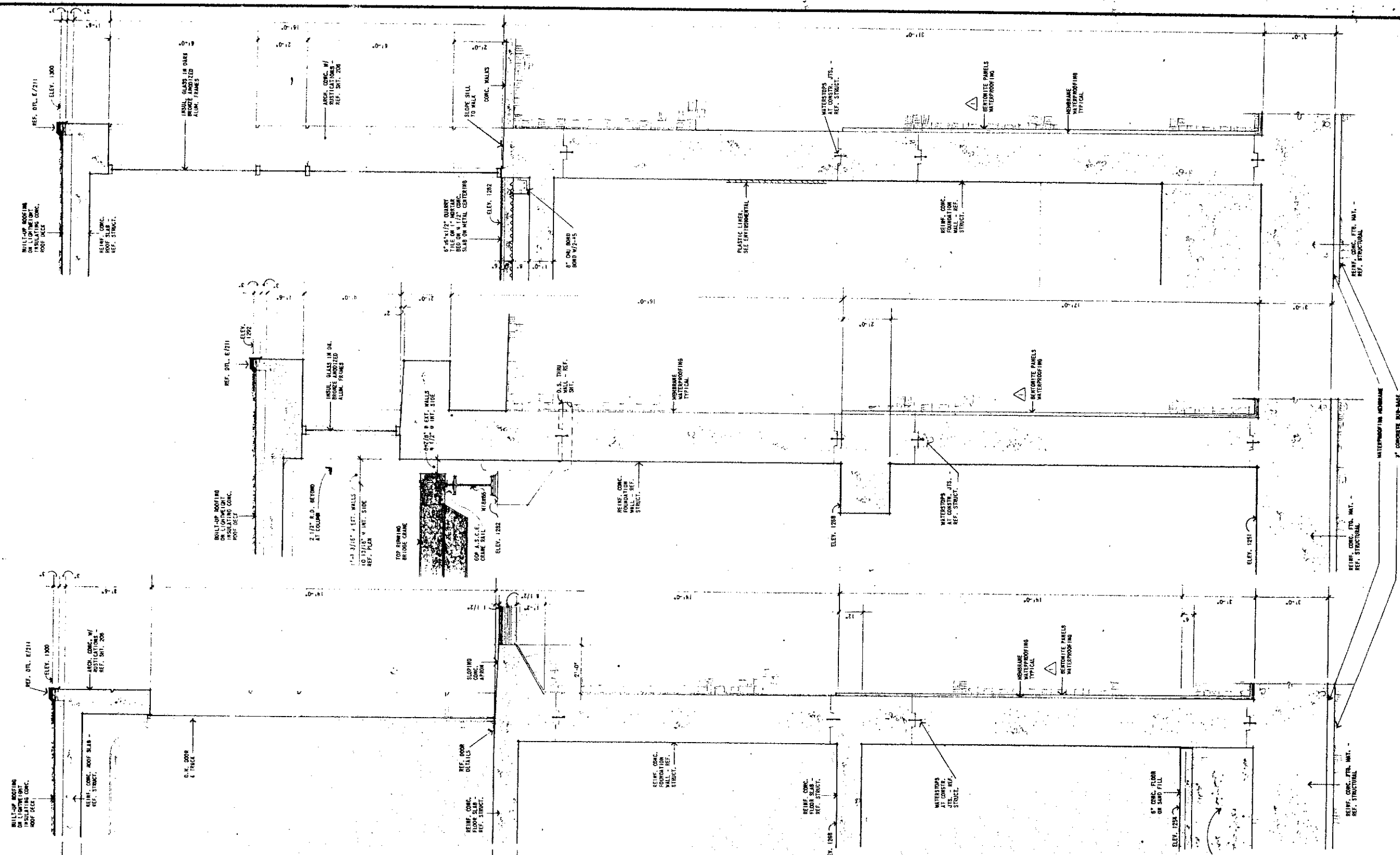
NOTE TO TOILET ROOMS:
TYPICAL FIXTURE AND ACCESSORY MOUNTING HEIGHTS FROM FINISH FLOOR ARE AS FOLLOWS:
LAVATORY 2'-7" TO RIM
SOAP DISPENSER 3'-6" TO CENTER
TOWEL DISPENSER 4'-0" TO BOTTOM
MIRROR 4'-0" TO BOTTOM
ROLL PAPER HOLDER 2'-6" TO CENTER

REMOVED BOILER STACK	APR. 78	JGG	DESIGN	DRAWN
			RNW	RNW
REVISION	DATE	BY		

WICHITA, KANSAS
PLANT NO. 1 PUMPING STATION
BUILDING SECTIONS
ARCHITECTURAL

DATE: FEB 81
FILE NO: 3711
SHEET NO: 11
OF 27

SHELLEY-WILSON
ENGINEERS-ARCHITECTS-PLANNERS




C SECTION
1/2" = 1'-0"

B SECTION
1/2" = 1'-0"

A SECTION
1/2" = 1'-0"

WICHITA, KANSAS
PLANT NO. 1 PUMPING STATION
EXTERIOR WALL SECTIONS

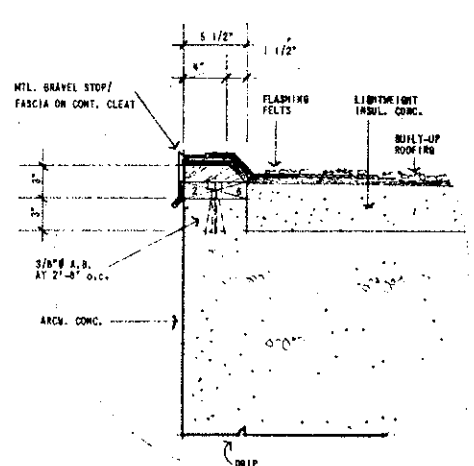
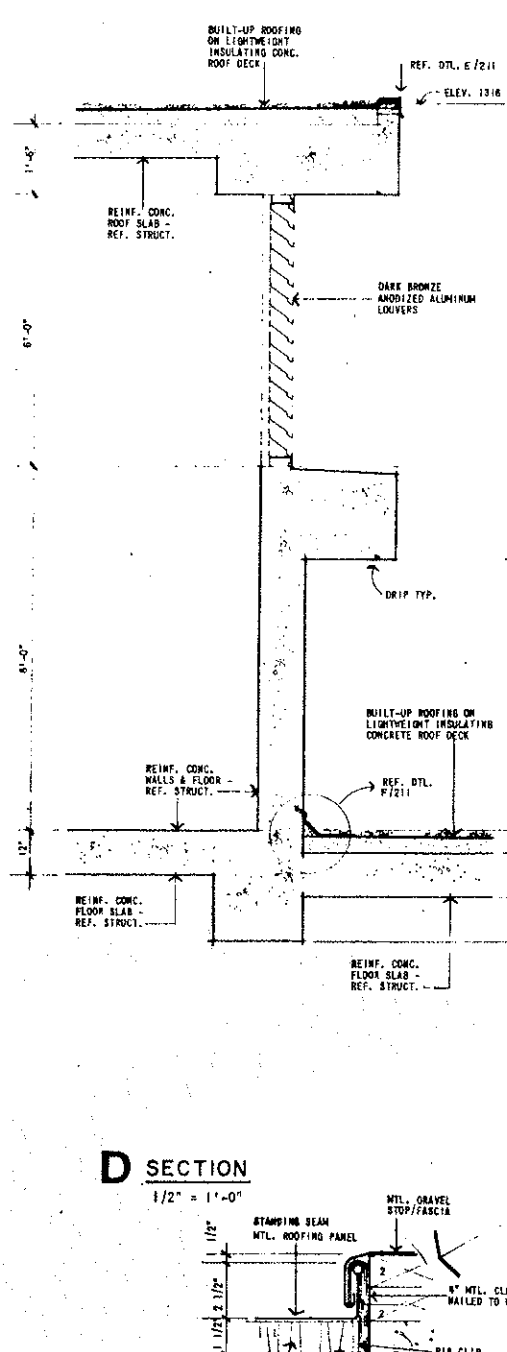
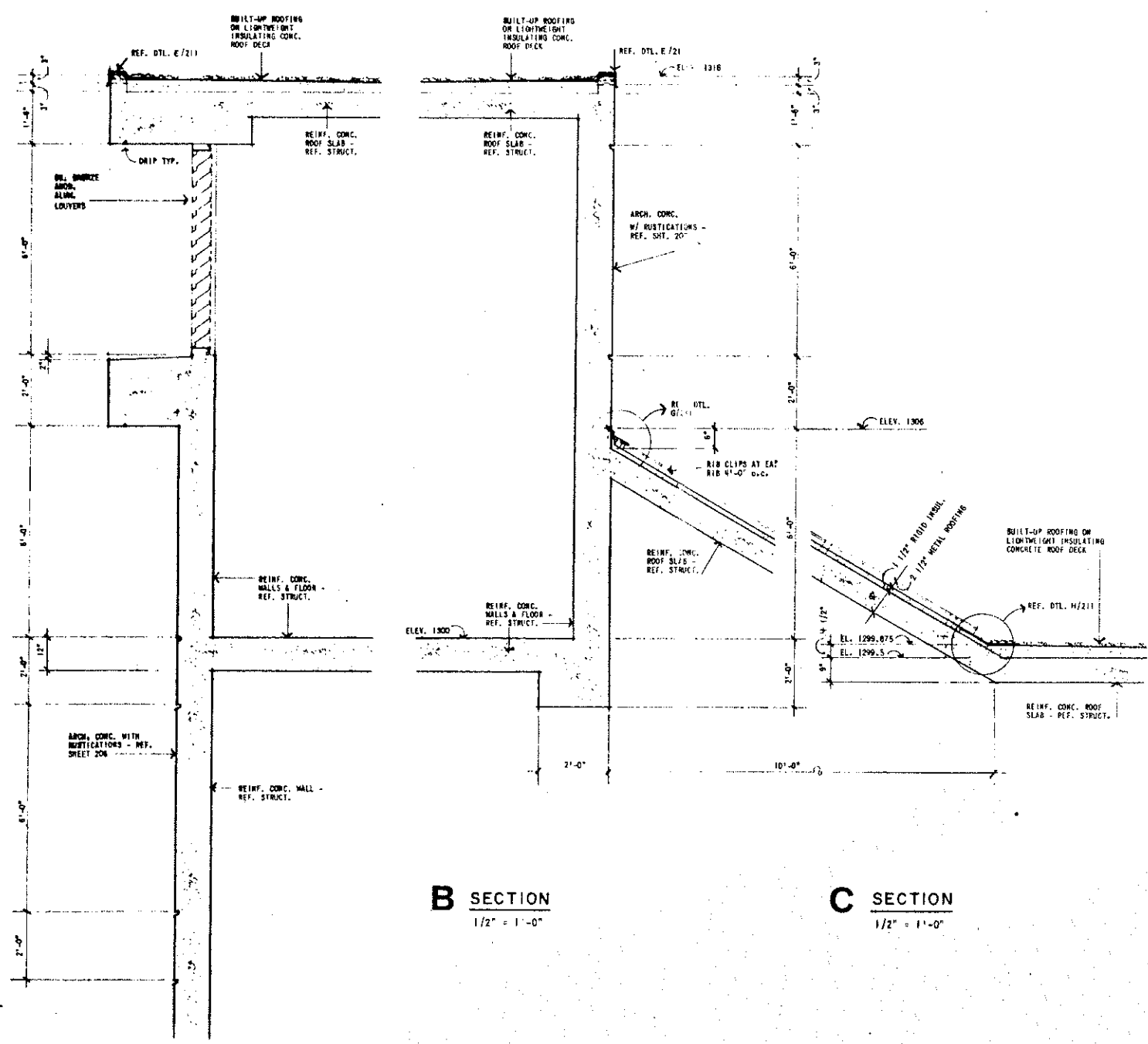
ADD BENTONITE PANELS	APR. 78	JGG	DESIGN WEM	DRAWN WEM	DATE SEP 1 1978
					FILE NO. 78-001
					SHEET NO. 120
					OF 216



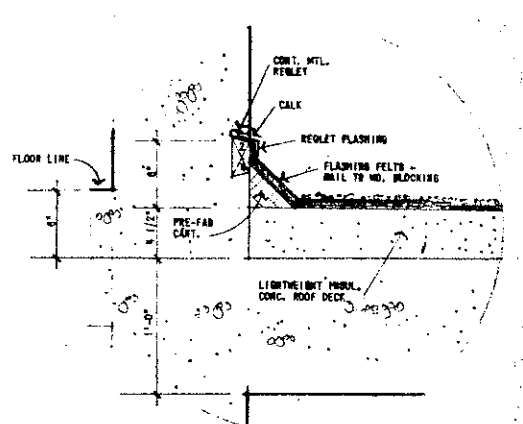
SHELLEY-WILSON
ENGINEERS-ARCHITECTS-PLANNERS

1001 S. W. 10TH ST., WICHITA, KANSAS 67202

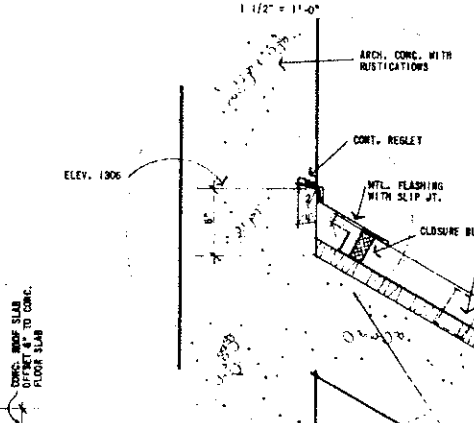
REVISION	DATE	BY



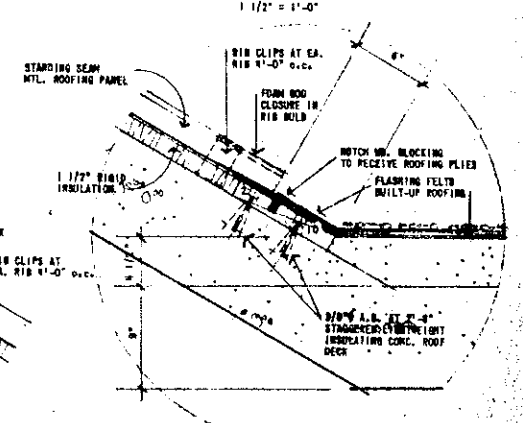
E ROOF EDGE DETAIL
1 1/2" = 1'-0"



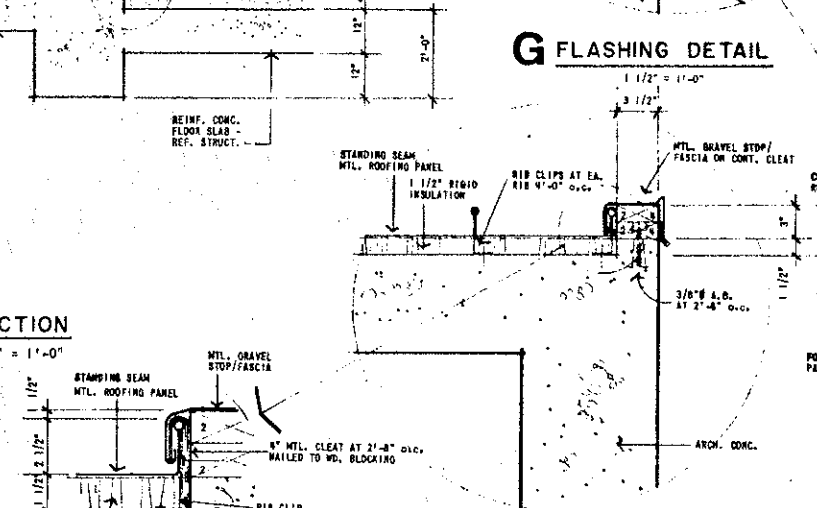
F FLASHING DETAIL
1 1/2" = 1'-0"



G FLASHING DETAIL
1 1/2" = 1'-0"



H FLASHING DETAIL
1 1/2" = 1'-0"



J ROOF EDGE DETAIL
1 1/2" = 1'-0"

A SECTION
1/2" = 1'-0"

B SECTION
1/2" = 1'-0"

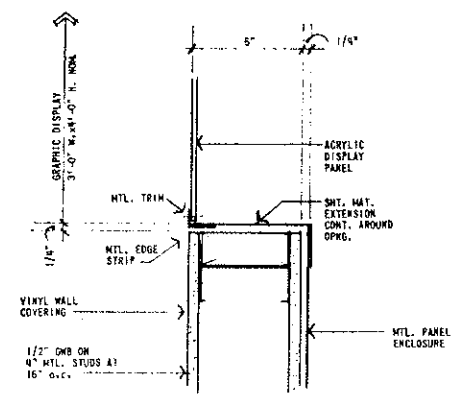
C SECTION
1/2" = 1'-0"

D SECTION
1/2" = 1'-0"

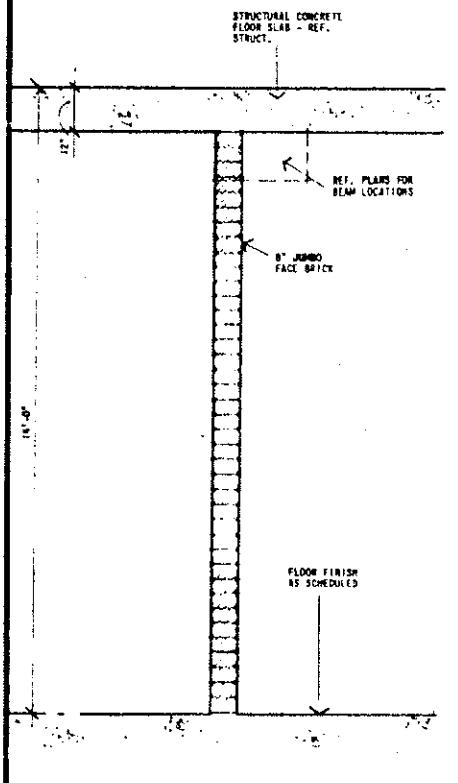
WICHITA, KANSAS
PLANT NO. 1 PUMPING STATION
EXTERIOR WALL SECTIONS

REVISION	DATE	BY

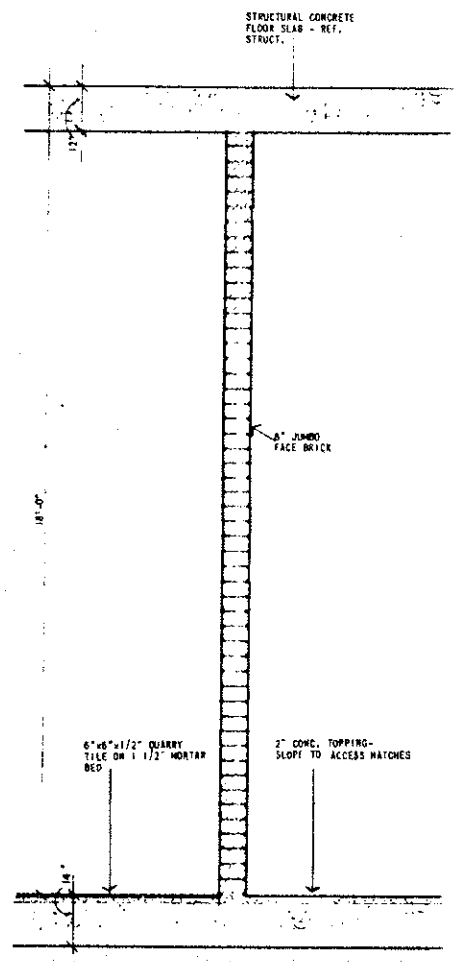
DESIGN WEM	DRAWN WEM	DATE: SEPT. 1971
		FILE NO. 781018
		SHEET NO. 011 OF 210
SHELLEY-WILSON ENGINEERS-ARCHITECTS-PLANNERS		



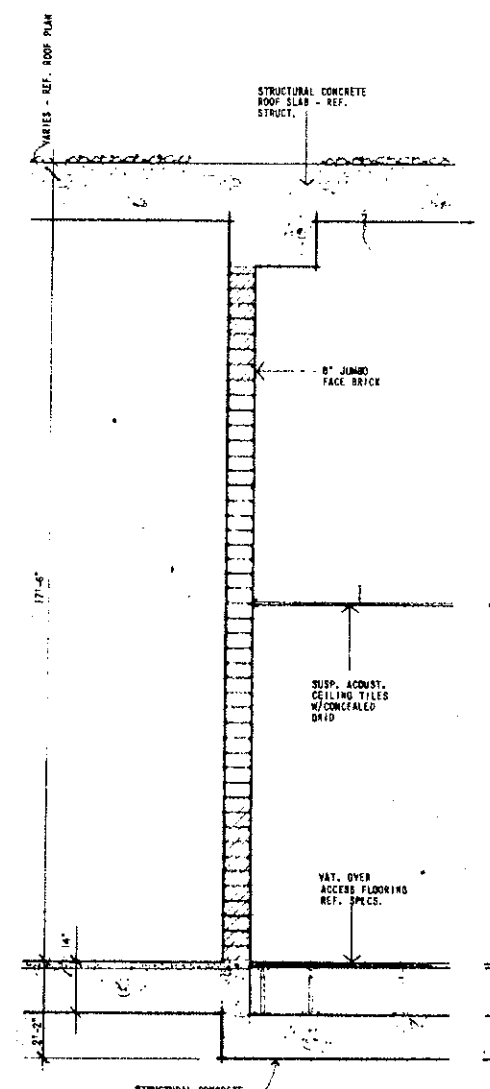
G DETAIL
3" = 1'-0"



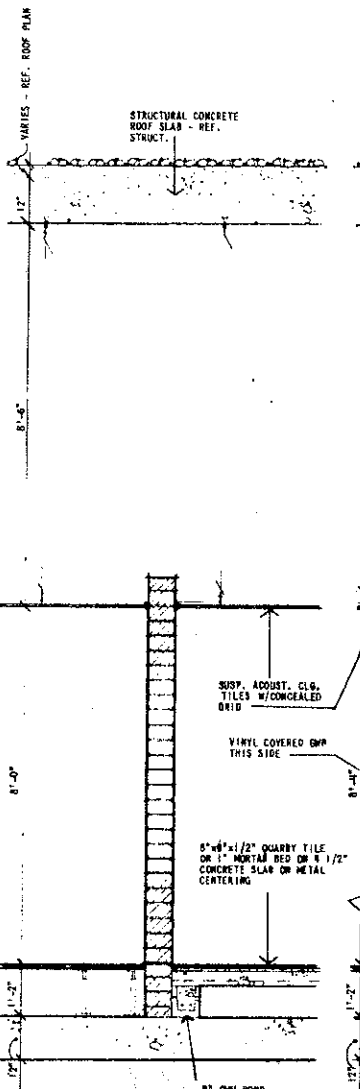
A SECTION
1/2" = 1'-0"



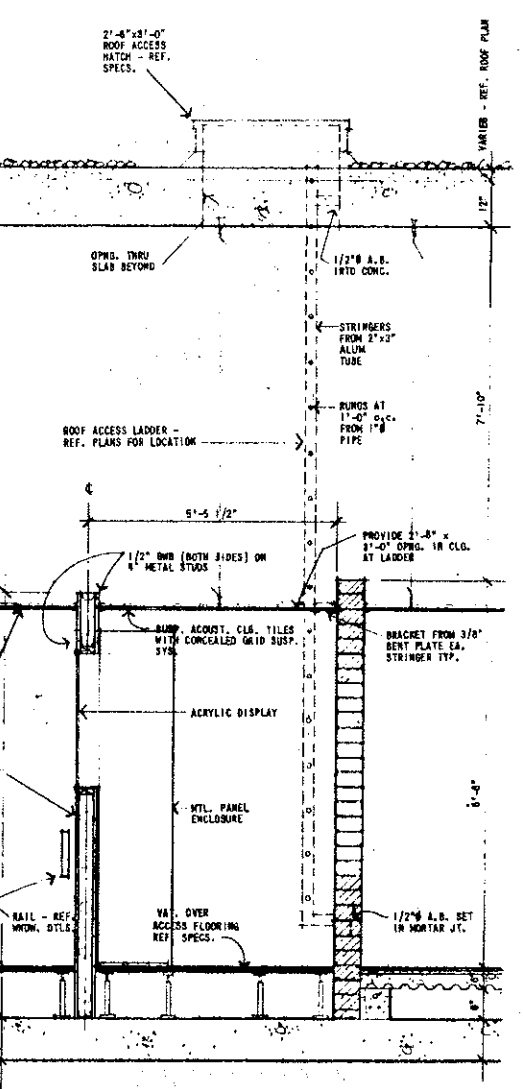
B SECTION
1/2" = 1'-0"



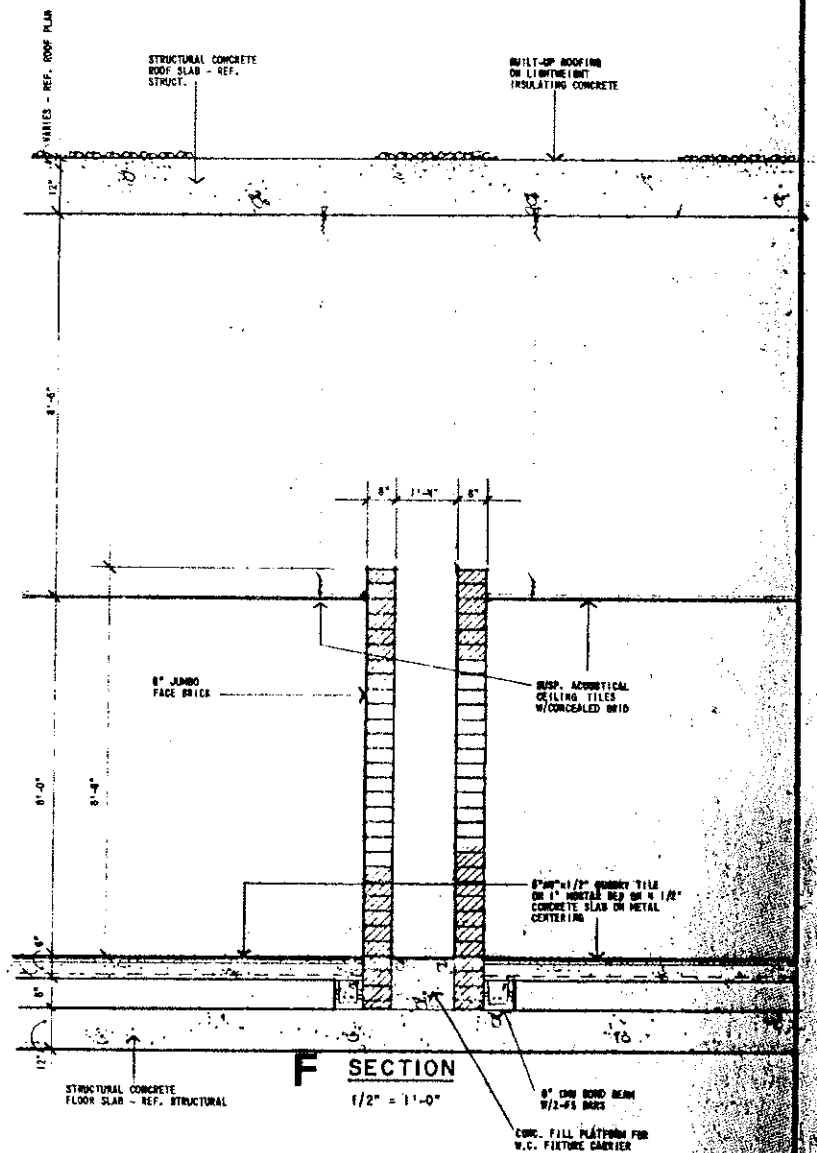
C SECTION
1/2" = 1'-0"



D SECTION
1/2" = 1'-0"




E SECTION
1/2" = 1'-0"

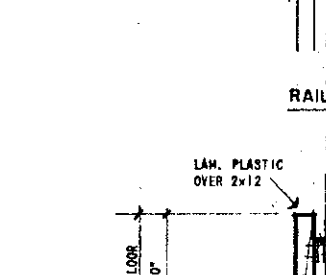
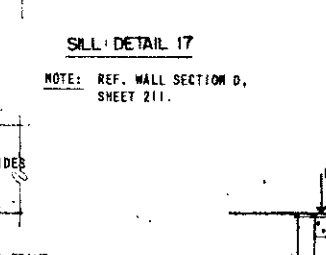
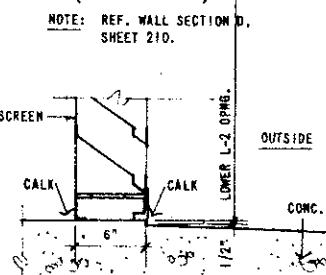
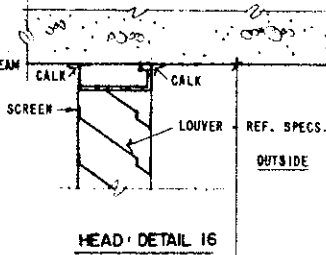
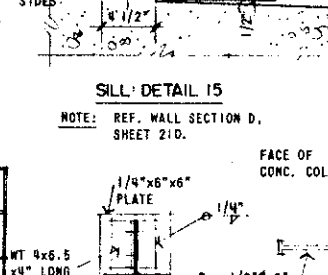
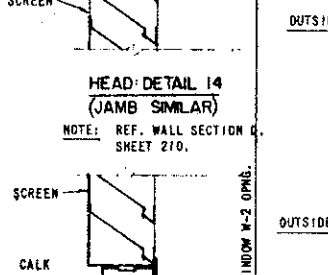
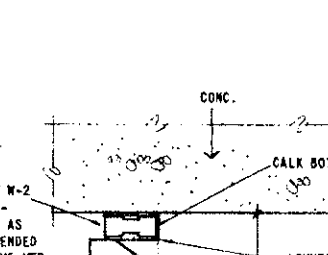
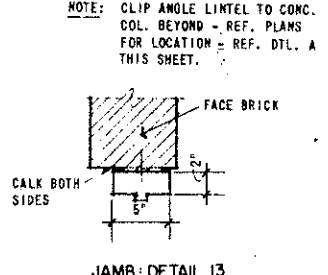
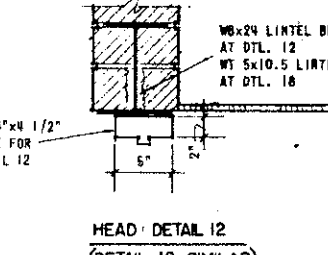
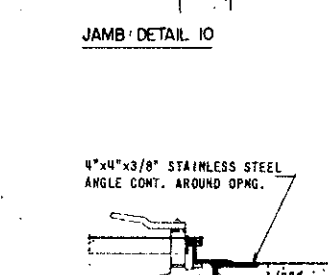
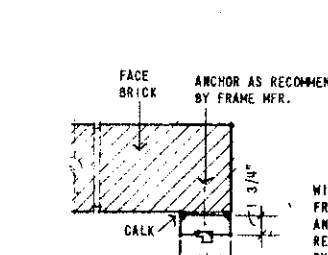
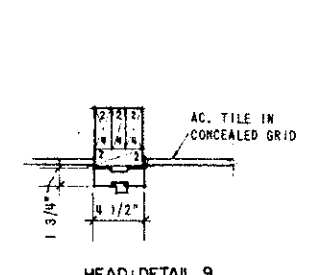
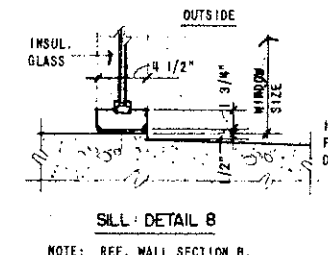
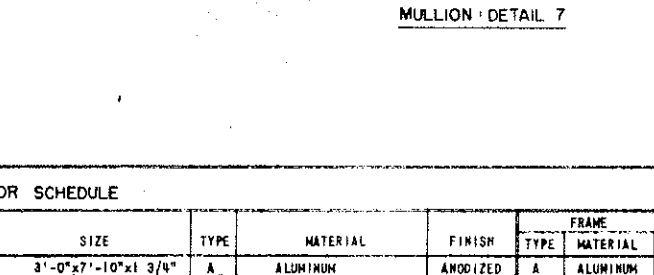
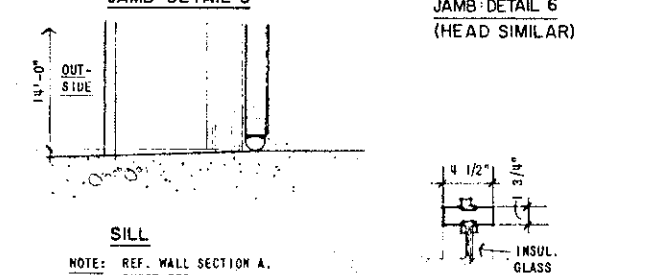
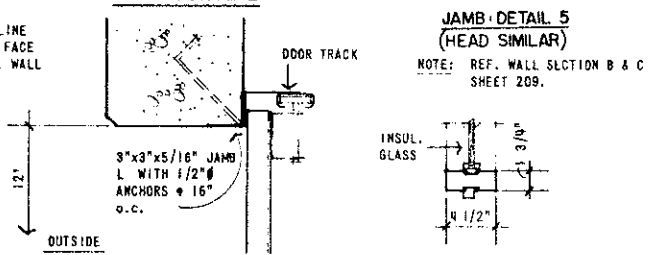
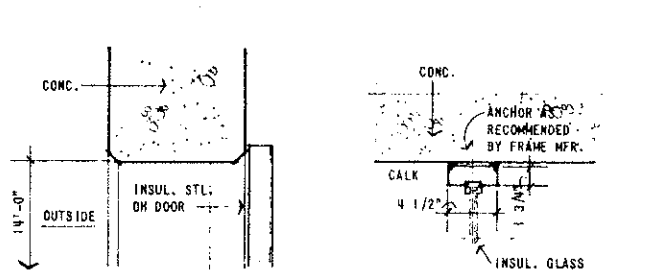
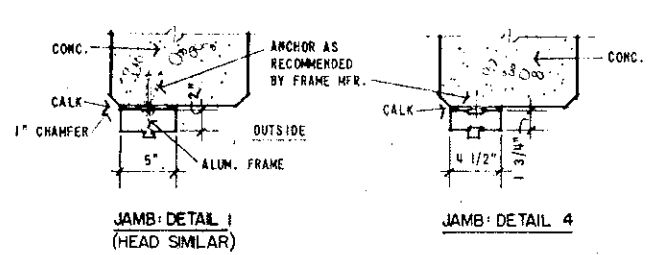
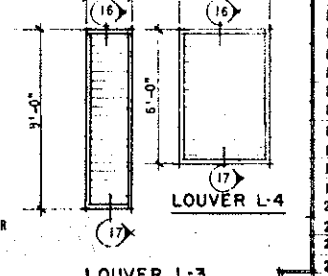
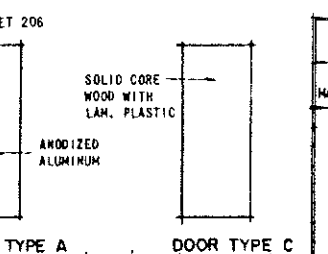
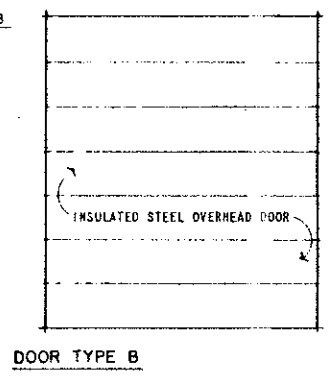
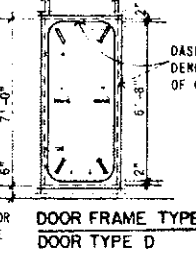
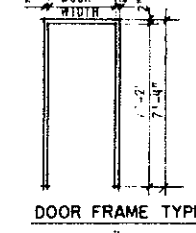
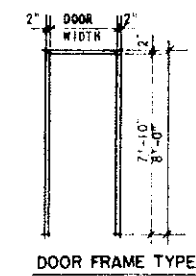
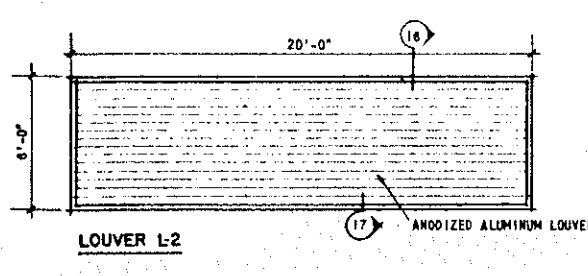
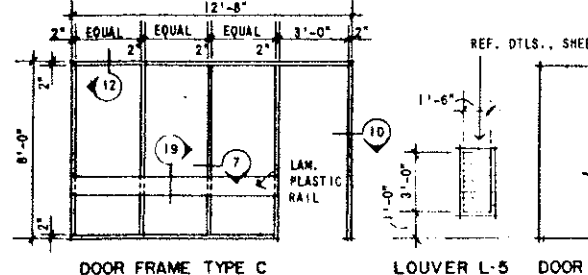
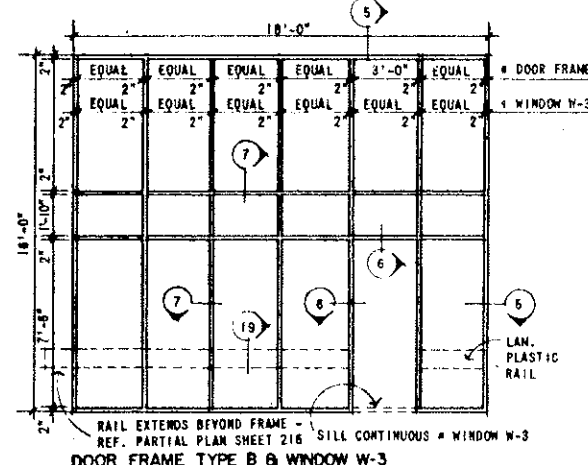
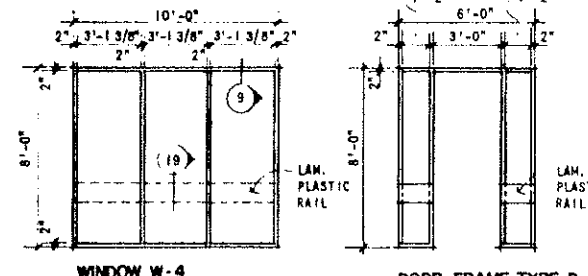
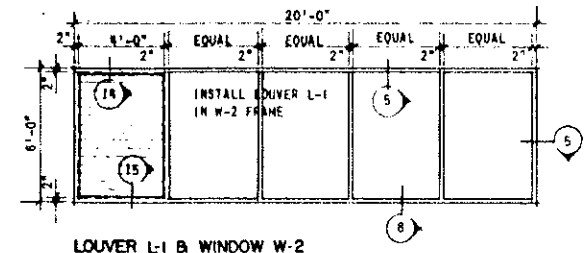
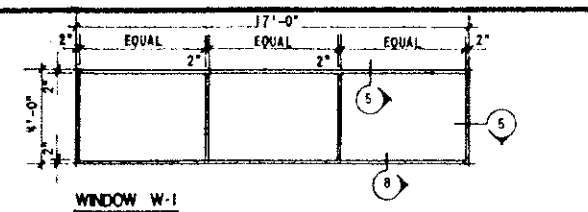


F SECTION
1/2" = 1'-0"

REVISION	DATE	BY

WICHITA, KANSAS
PLANT NO. 1 PUMPING STATION
INTERIOR WALL SECTIONS

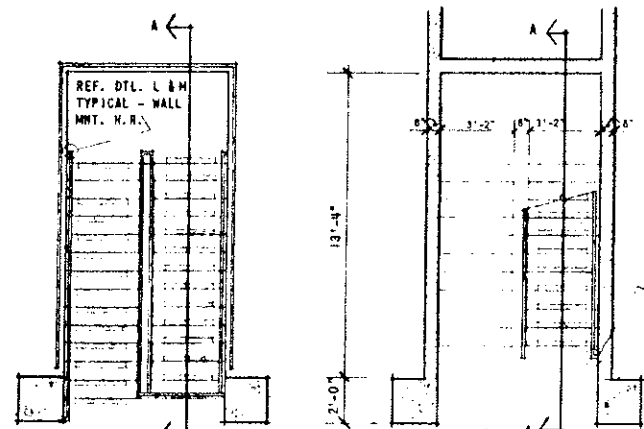
DESIGN MLP	DRAWN MLP	DATE SEPT 1978
		FILE NO. 78-7018
SHELLEY-WILSON ENGINEERS-ARCHITECTS-PLANNERS		SHEET NO. 1/2
<small>1000 W. CENTRAL AVENUE, SUITE 100 WICHITA, KANSAS 67202</small>		OF 20



DOOR SCHEDULE										
MARK	SIZE	TYPE	MATERIAL	FINISH	FRAME		DETAIL		REMARKS	
					TYPE	MATERIAL	HEAD	JAMB		
1	3'-0"x7'-10"x1/2"	A	ALUMINUM	ANODIZED	A	ALUMINUM	1	1	1/2"x5"	
2	14'-0"x12'-0"x2"	B	STEEL	PAINT	-	STEEL	2	3		INSULATED ON DOOR
4	3'-0"x7'-10"x1/2"	A	ALUMINUM	ANODIZED	A	ALUMINUM	1	1	1/2"x5"	
5	3'-0"x7'-10"x1/2"	A	ALUMINUM	ANODIZED	A	ALUMINUM	1	1	1/2"x5"	
6	3'-0"x7'-10"x1/2"	A	ALUMINUM	ANODIZED	B	ALUMINUM	6	6	1/2"x5"	
7	PR. 3'-0"x7'-10"x1/2"	A	ALUMINUM	ANODIZED	A	ALUMINUM	1	1	1/2"x5"	
8	3'-0"x7'-10"x1/2"	C	WOOD	LAM. PLASTIC	C	ALUMINUM	12	6, 10		
9	3'-0"x7'-10"x1/2"	C	WOOD	LAM. PLASTIC	A	ALUMINUM	18	18		UNDERCUT 1"
10	2'-4"x7'-10"x1/2"	C	WOOD	LAM. PLASTIC	A	ALUMINUM	18	18		UNDERCUT 1"
11	2'-4"x7'-10"x1/2"	C	WOOD	LAM. PLASTIC	A	ALUMINUM	18	18		UNDERCUT 1"
12	3'-0"x7'-10"x1/2"	C	WOOD	LAM. PLASTIC	A	ALUMINUM	18	1, 13	1/2"x5"	
13	3'-0"x7'-10"x1/2"	A	ALUMINUM	ANODIZED	D	ALUMINUM	18	9, 10	1/2"x5"	
14	3'-0"x7'-10"x1/2"	A	ALUMINUM	ANODIZED	D	ALUMINUM	18	9, 10	1/2"x5"	
15	3'-0"x7'-10"x1/2"	C	WOOD	LAM. PLASTIC	E	ALUMINUM	18	1, 13	1/2"x5"	WEATHERSTRIP - REF. SPECS
16	PR. 3'-0"x7'-2"x1/2"	A	ALUMINUM	ANODIZED	E	ALUMINUM	18	1, 13	1/2"x5"	
17	PR. 3'-0"x7'-2"x1/2"	A	ALUMINUM	ANODIZED	E	ALUMINUM	1	1	1/2"x5"	
18	3'-0"x7'-2"x1/2"	A	ALUMINUM	ANODIZED	E	ALUMINUM	18	1, 13	1/2"x5"	
19	PR. 2'-10"x7'-2"x1/2"	A	ALUMINUM	ANODIZED	E	ALUMINUM	18	1, 13	1/2"x5"	
20	3'-0"x8'-8"	D	STAINLESS STEEL	-	F	ST. STEEL	11	11		
21	3'-0"x8'-8"	D	STAINLESS STEEL	-	F	ST. STEEL	11	11		
22	3'-0"x7'-2"x1/2"	A	ALUMINUM	ANODIZED	E	ALUMINUM	18	10, 18	1/2"x5"	
23	3'-0"x7'-2"x1/2"	A	ALUMINUM	ANODIZED	E	ALUMINUM	18	1, 13	1/2"x5"	
24 & 27	3'-0"x7'-10"x1/2"	A	ALUMINUM	ANODIZED	A	ALUMINUM	18	13	1/2"x5"	WEATHERSTRIP - REF. SPECS
25 & 26	8'-0"x7'-2"x1/2"	A	ALUMINUM	ANODIZED	E	ALUMINUM	18	1, 13	1/2"x5"	WEATHERSTRIP - REF. SPECS

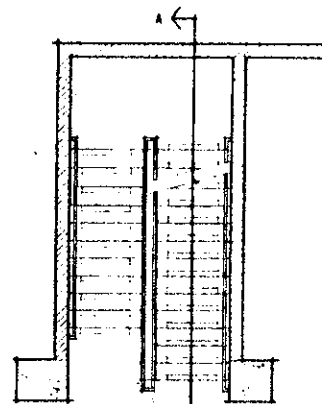
WICHITA, KANSAS.
PLANT NO. 1 PUMPING STATION
DOOR, WINDOW AND LOUVER DETAILS AND SCHEDULE
ARCHITECTURAL

DESIGN RDR	DRAWN RDR	DATE 12-1-71
		SHELLY-WILSON ENGINEERS-ARCHITECTS-PLANNERS 1000 W. 10th St., Wichita, Kansas 67202 TEL. 275-1111

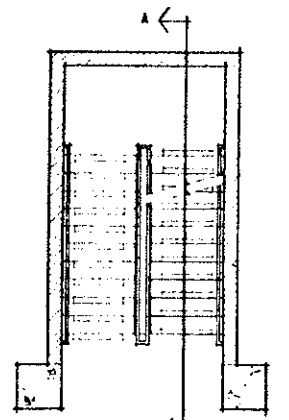


MEZZANINE LEVEL PLAN
1/4" = 1'-0"

PUMP LEVEL PLAN
1/4" = 1'-0"

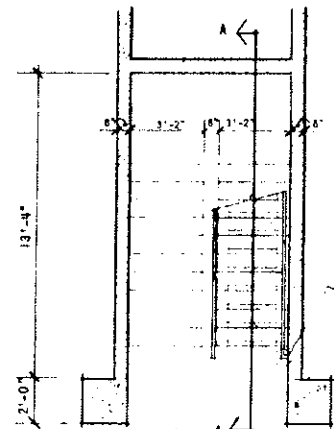


OPERATIONS LEVEL PLAN
1/4" = 1'-0"

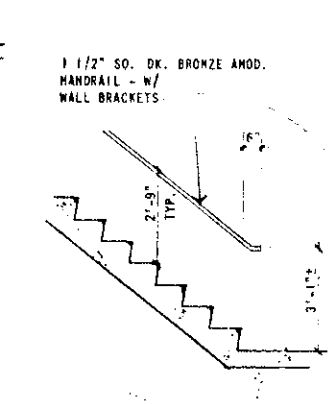


INTERMEDIATE LEVEL PLAN
1/4" = 1'-0"

FLOOR PLANS AT STAIR S-1

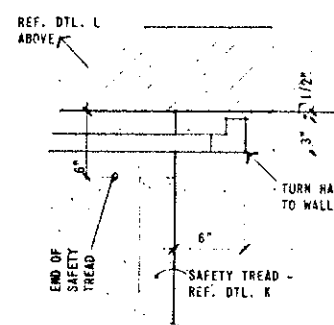


ELEVATION - WALL MNT. H.R.
3/8" = 1'-0"



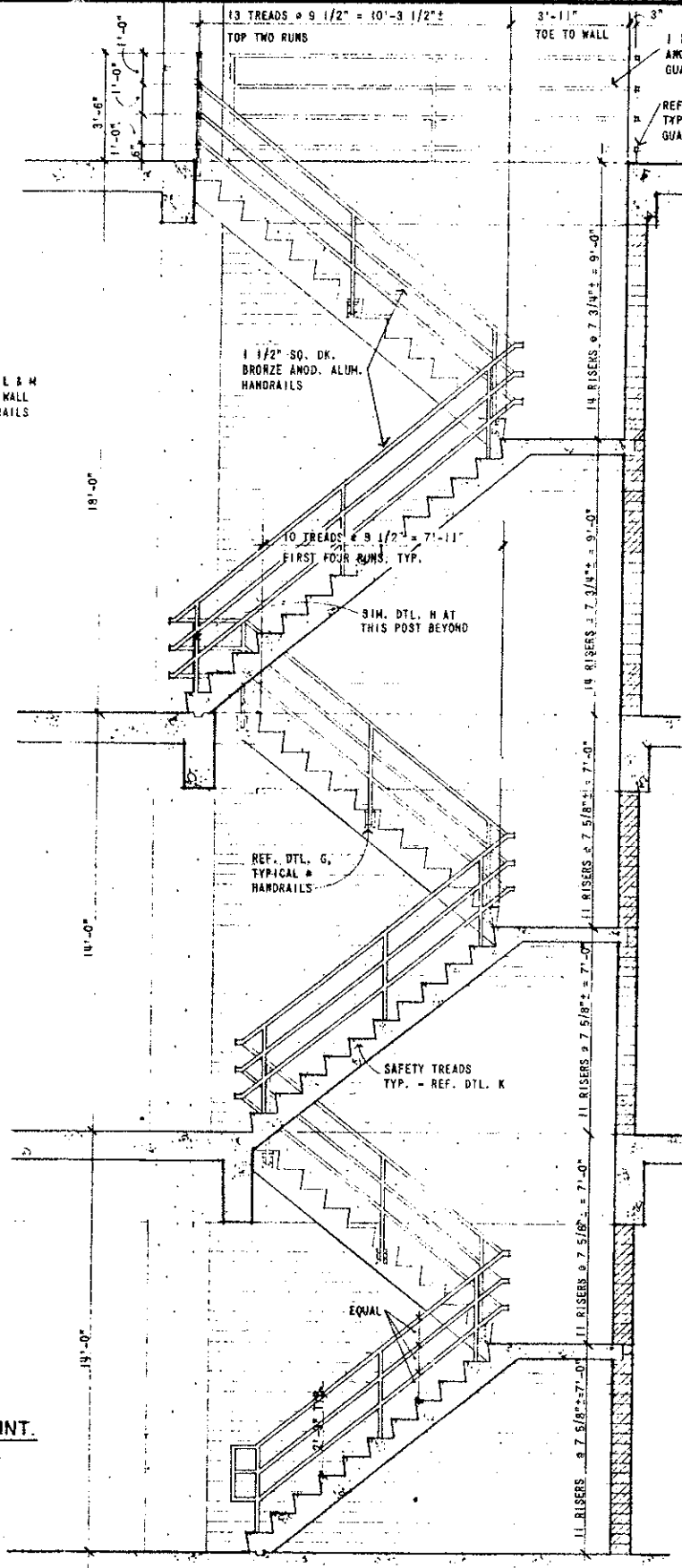
PLAN
1/2" = 1'-0"

HANDRAIL ANCHORAGE - WALL MNT.
(DETAILS L, M)



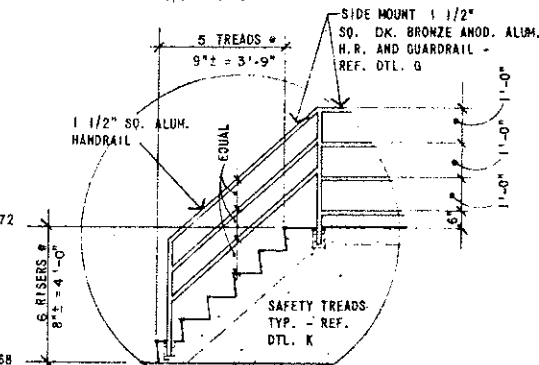
PLAN
1/2" = 1'-0"

HANDRAIL ANCHORAGE - WALL MNT.
(DETAILS L, M)

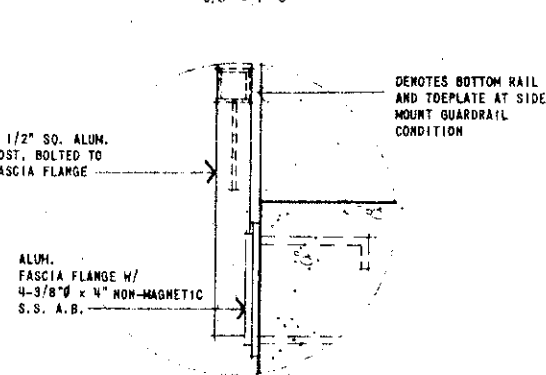


A SECTION AT STAIR S-1
3/8" = 1'-0"

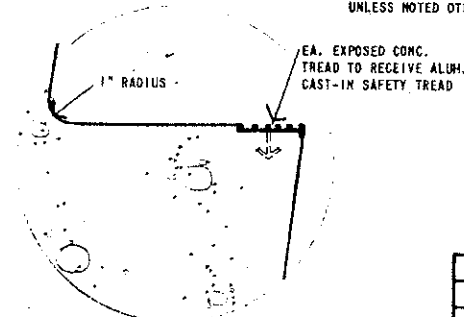
B SECTION AT STAIR S-2
3/8" = 1'-0"



E ELEVATION AT STAIR S-5 (STAIR S-4 OPP. HAND)
3/8" = 1'-0"

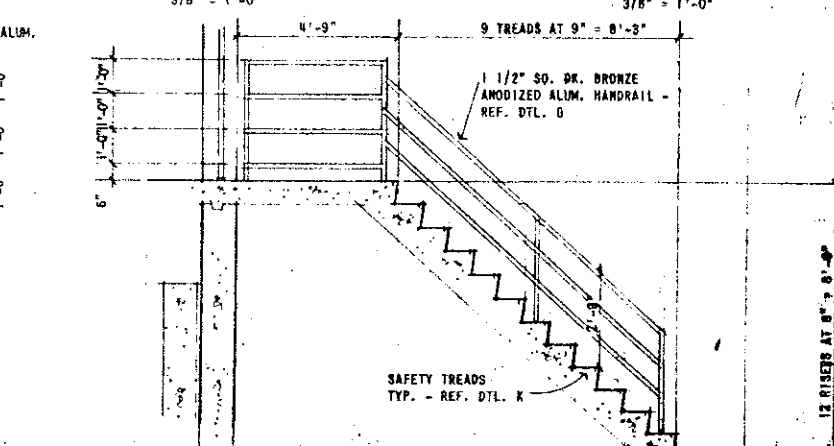


G SIDE MOUNT
(TYPICAL * HANDRAILS - UNLESS NOTED OTHERWISE)

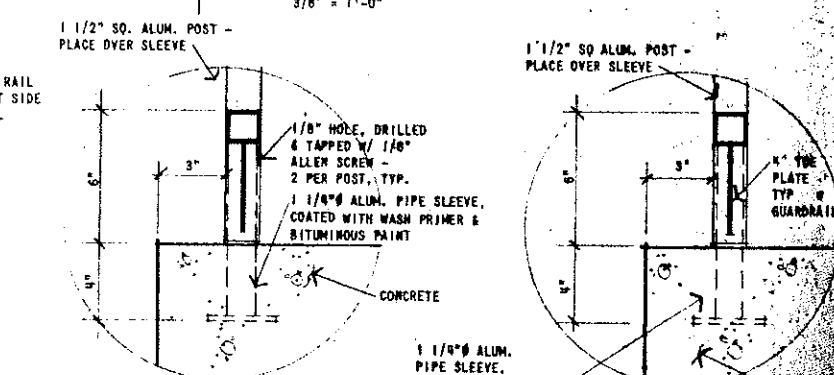


K SAFETY TREAD DETAIL
3" = 1'-0"

C SECTION AT STAIR S-3
3/8" = 1'-0"



F SECTION AT STAIR S-6
3/8" = 1'-0"



H FIXED
(TYPICAL * GUARDRAILS - UNLESS NOTED OTHERWISE)

J REMOVABLE
(AT LOCATIONS MARKED ON FLOOR PLANS)

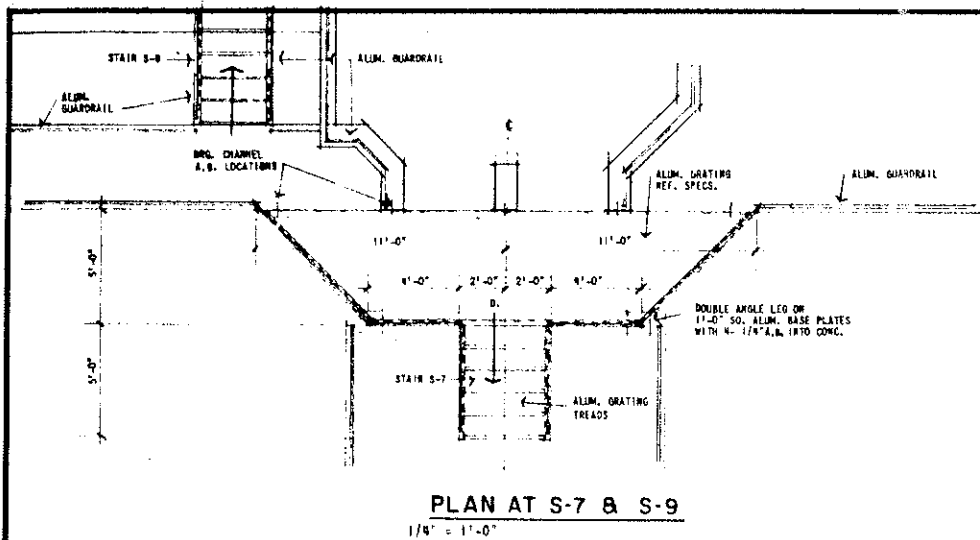
HANDRAIL AND GUARDRAIL ANCHORAGE DETAILS - FLOOR MNT.
(DETAILS G, H, J)
3" = 1'-0"

WICHITA, KANSAS
PLANT NO. 1 PUMPING STATION
STAIR DETAILS
ARCHITECTURAL

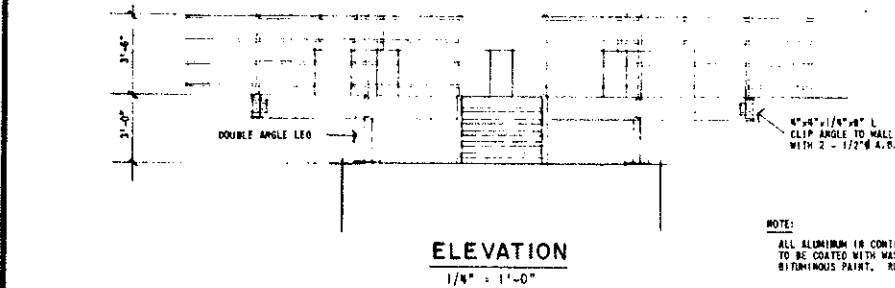
DESIGN MLP
DRAW MLP
DATE: FEB 1974
FILE NO. 74-1974
SHEET NO. 314
OF 278

SHELLEY-WILSON
ENGINEERS-ARCHITECTS-PLANNERS

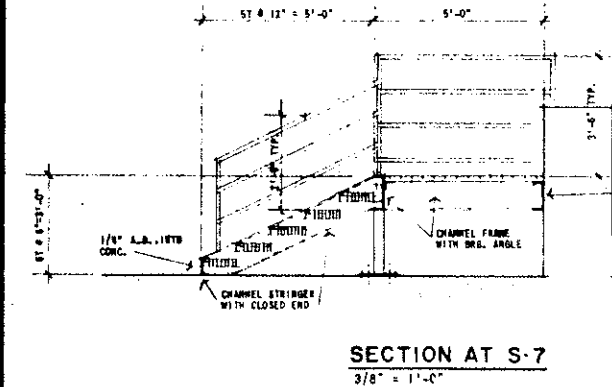
REVISION	DATE	BY



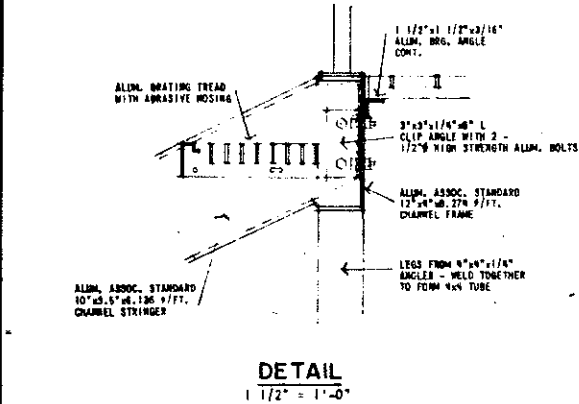
PLAN AT S-7 & S-9
1/4" = 1'-0"



ELEVATION
1/4" = 1'-0"

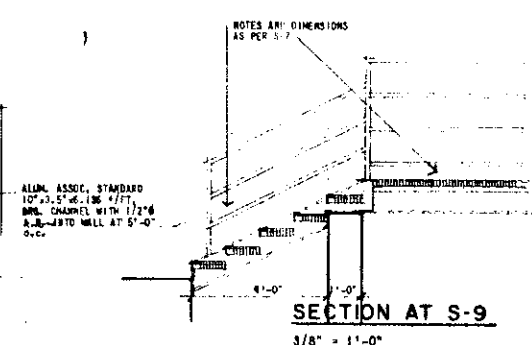


SECTION AT S-7
3/8" = 1'-0"

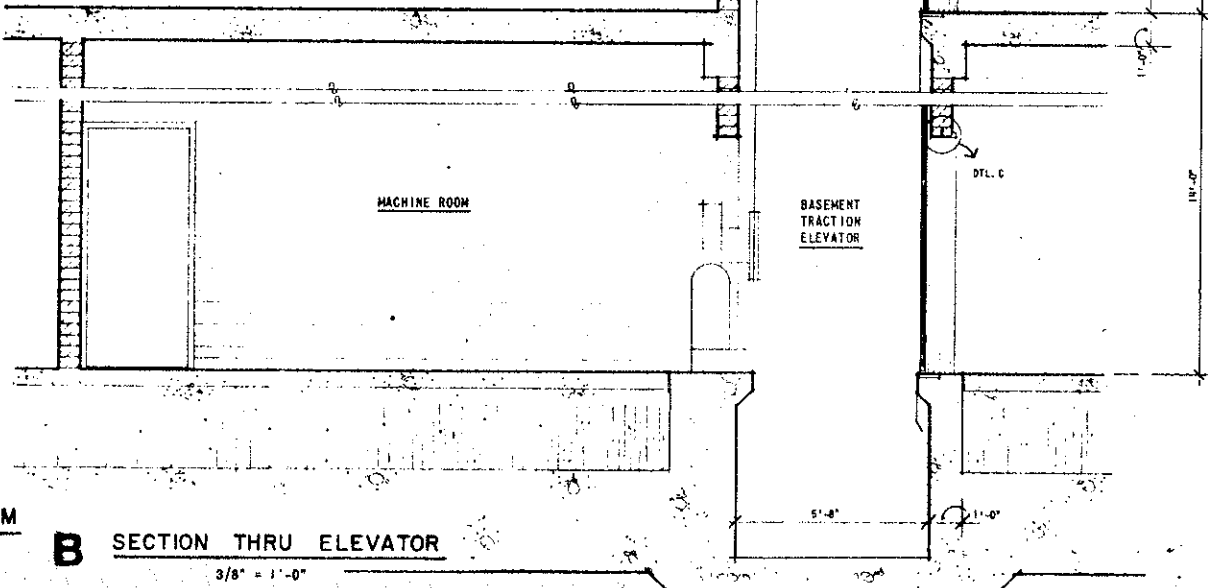


DETAIL
1 1/2" = 1'-0"

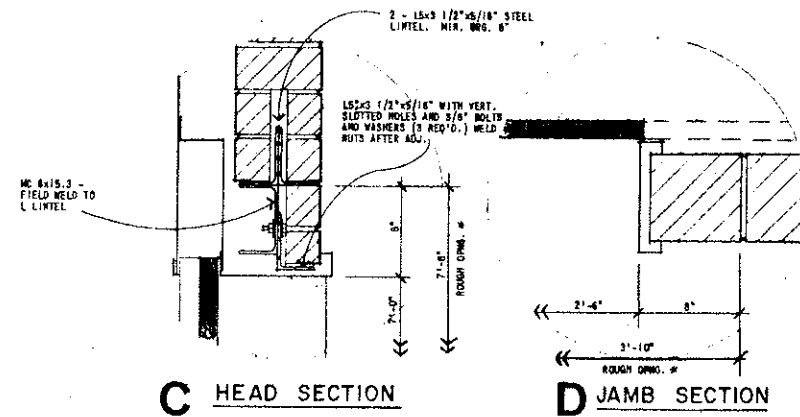
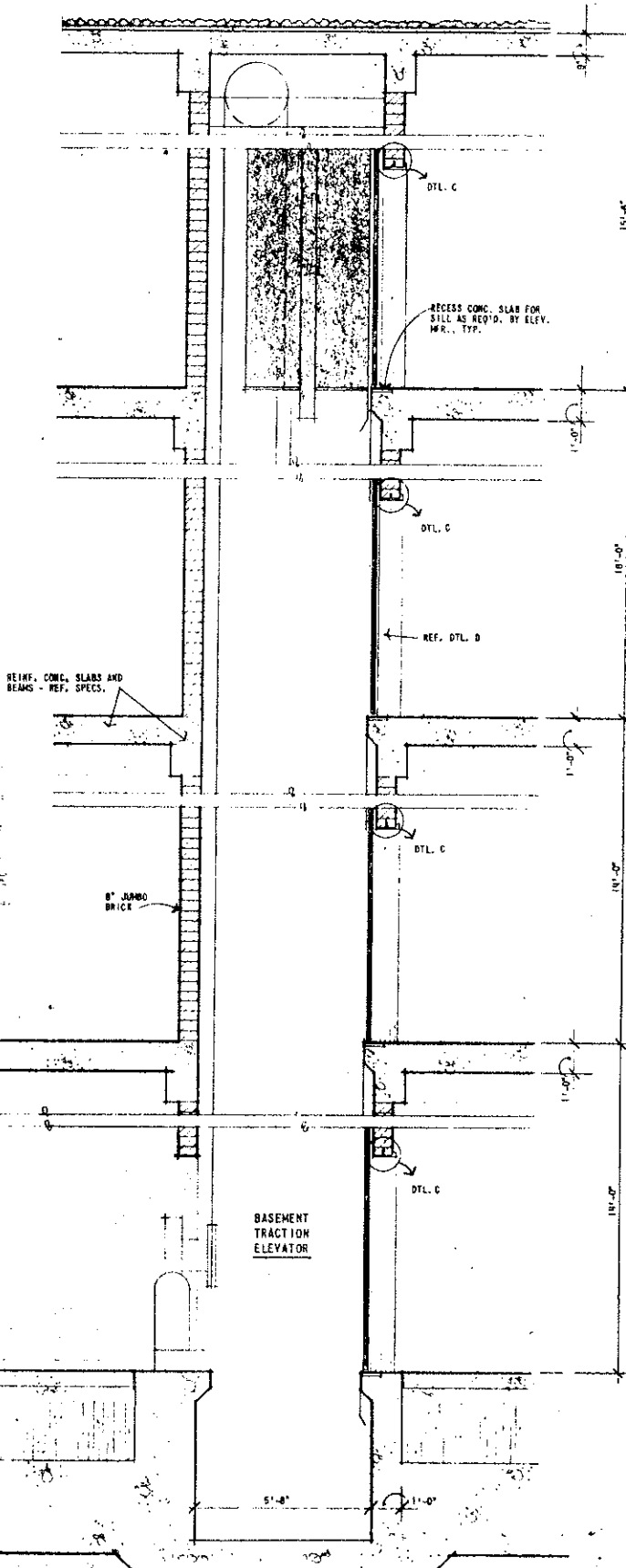
A STAIR S-7 DETAILS S-8, S-9, S-10 SIM
SCALE AS NOTED



SECTION AT S-9
3/8" = 1'-0"

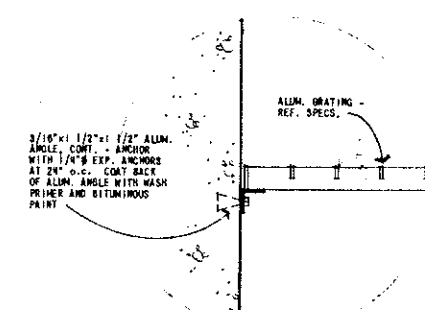


B SECTION THRU ELEVATOR
3/8" = 1'-0"

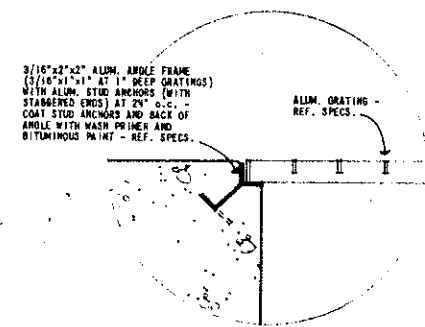


C HEAD SECTION D JAMB SECTION

ELEVATOR DETAILS
1 1/2" = 1'-0"

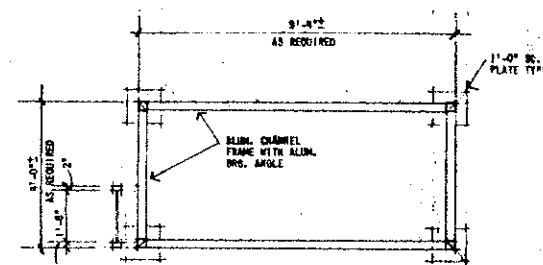


E GRATING BEARING - HIGH WALL
1 1/2" = 1'-0"

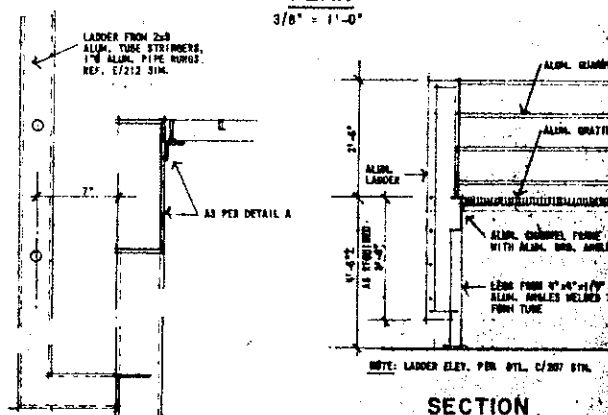


F GRATING BEARING - STD.
1 1/2" = 1'-0"

* NOTE: IF POSSIBLE, HOISTWAY WALLS SHOULD BE ERRECTED AFTER DOOR EQUIPMENT IS INSTALLED (A SINGLE LINTEL - 2 - 15x3 1/2"x5/16" THEN IS REQUIRED). OTHERWISE, ROUGH OPENINGS AND LINTEL REQUIREMENTS SHOWN ABOVE WILL BE REQUIRED. VERIFY ROUGH OPENING DIMENSIONS WITH ELEVATOR MANUFACTURER.



PLAN
3/8" = 1'-0"



SECTION
3/8" = 1'-0"

G MEZZ. EQUIP PLATFORM DETAILS
SCALE AS NOTED

DETAIL
1 1/2" = 1'-0"

WICHITA, KANSAS
PLANT NO. 1 PUMPING STATION
ELEVATOR AND MISCELLANEOUS DETAILS
ARCHITECTURAL

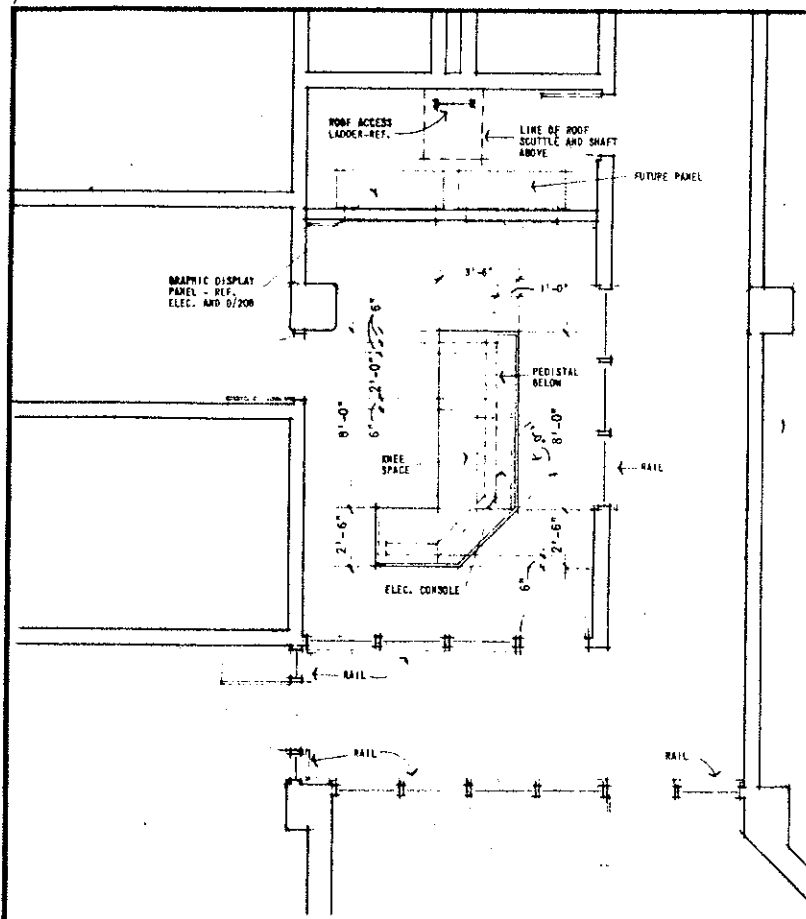
DESIGN	MLP	DATE	
DRAWN	MLP	DATE	
REVISION	DATE	BY	

WICHITA, KANSAS
PLANT NO. 1 PUMPING STATION
ELEVATOR AND MISCELLANEOUS DETAILS
ARCHITECTURAL

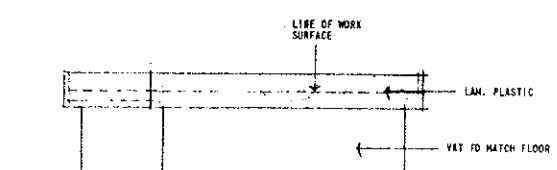
DESIGN MLP DATE
DRAWN MLP DATE
REVISION DATE BY

SHELLEY-WILSON
ENGINEERS-ARCHITECTS-PLANNERS

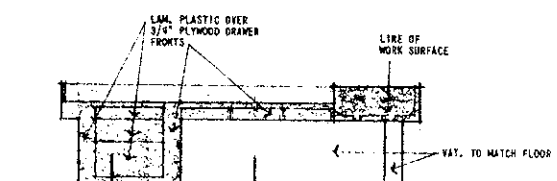
DATE FEB 1971
FILE NO. 78-101
SHEET NO. 111
OF 211



PARTIAL PLAN AT CONTROL ROOM
1/4" = 1'-0"



FRONT ELEVATION
3/8" = 1'-0"

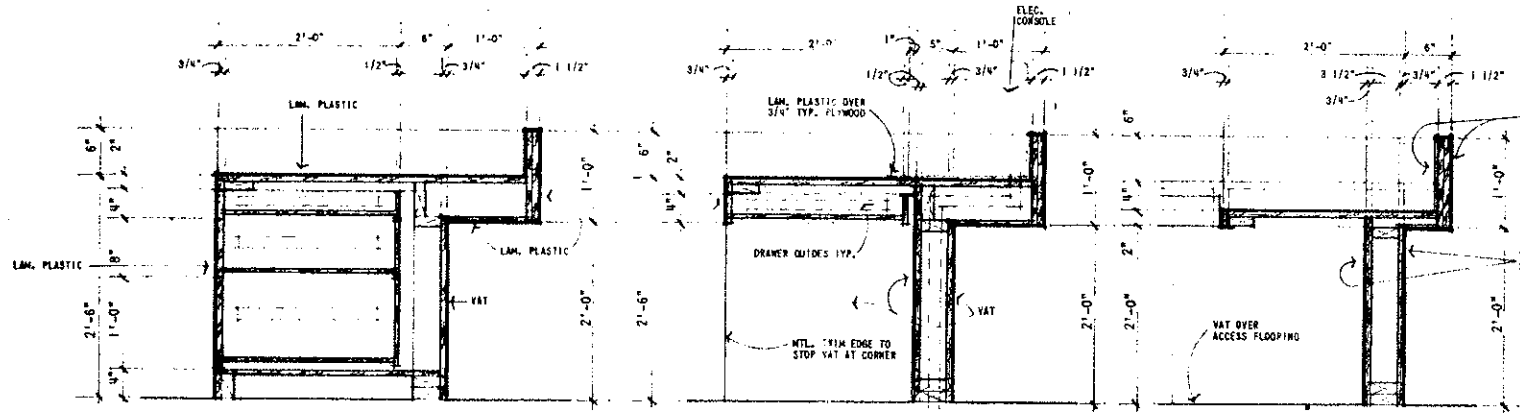


BACK ELEVATION
3/8" = 1'-0"



END ELEVATION
3/8" = 1'-0"

END ELEVATION
3/8" = 1'-0"



a SECTION
1" = 1'-0"

b SECTION
1" = 1'-0"

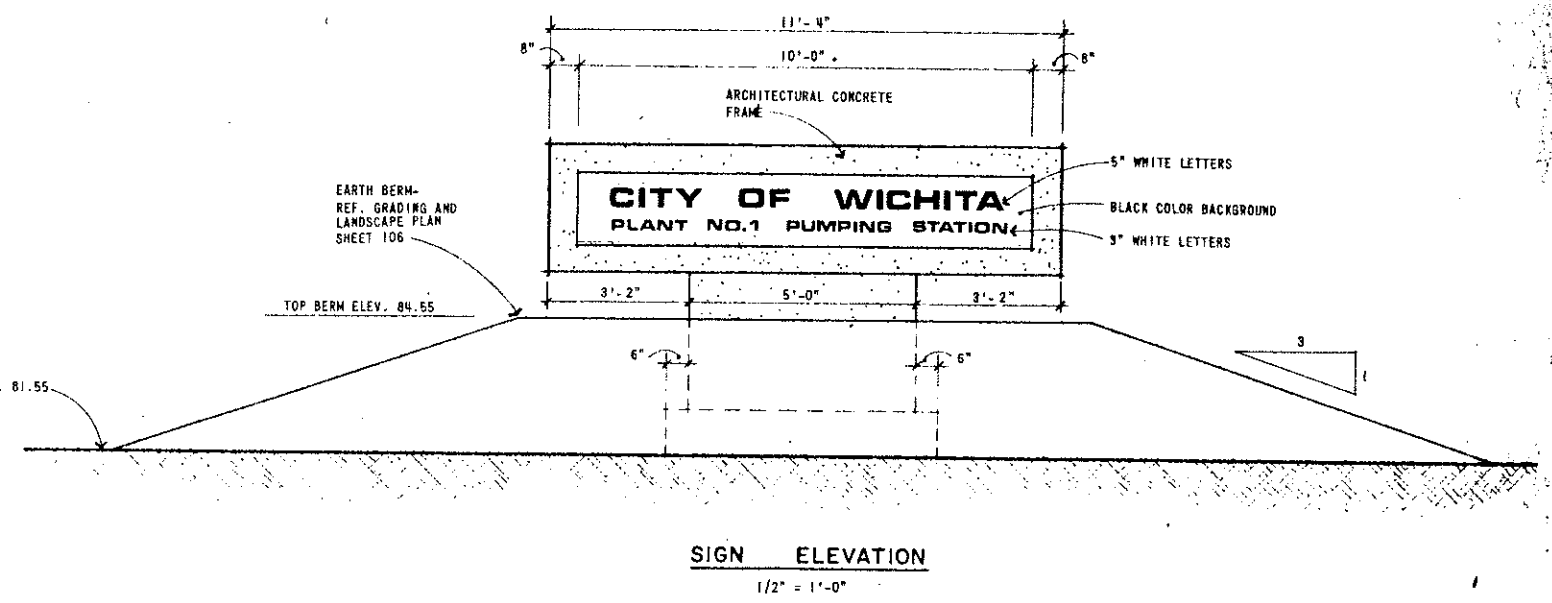
c SECTION
1" = 1'-0"

B CONTROL ROOM CONTROL CONSOLE DETAILS

SCALE AS NOTED

NOTE: DRAWER FRONTS TO BE LAM. PLASTIC OVER 3/4" PLYWOOD WITH RECESSED PULLS. REMAINDER OF DRAWER CONSTRUCTION TO BE 1/2" PLYWOOD. REF. SPECS. FOR PULLS AND GUIDES.

NOTE: DRILL AS REQUIRED TO PROVIDE ELEC. ACCESS TO ELEC. CONSOLE

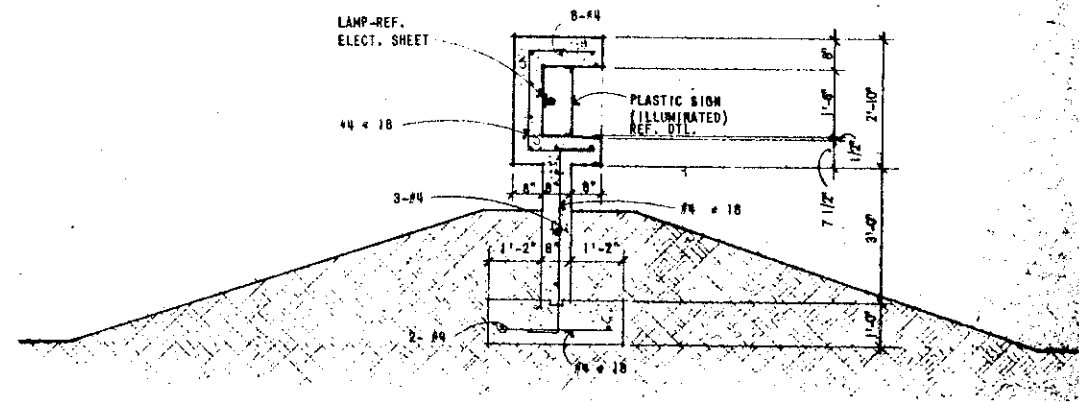


SIGN ELEVATION
1/2" = 1'-0"

EARTH BERM-REF. GRADING AND LANDSCAPE PLAN SHEET 106

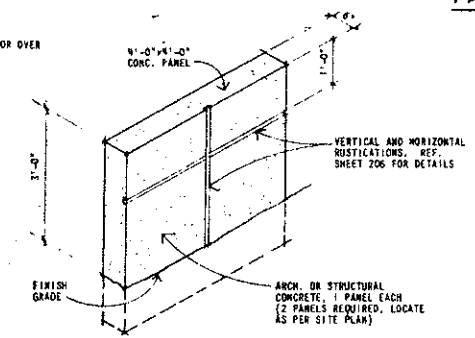
TOP BERM ELEV. 84.55

FIN. GRADE ELEV. 81.55



A SECTION
1/2" = 1'-0"

FACILITY SIGN DETAILS
SCALE AS NOTED



ISOMETRIC OF MOCK-UP SAMPLE PANEL
1/2" = 1'-0"
(2 REQ'D.)

WICHITA, KANSAS
PLANT NO. 1 PUMPING STATION
SIGN AND MISCELLANEOUS DETAILS
ARCHITECTURAL

REVISION	DATE	BY

DESIGN MLP	DRAWN MLP	DATE FEB. 1978
REGISTERED ARCHITECT WARD K. COOPER 1550		FILE NO. 75-1811
SHELLEY-WILSON ENGINEERS-ARCHITECTS-PLANNERS		SHEET NO. 218 OF 218

GENERAL NOTES

1. THE STRUCTURAL DESIGN WAS PREPARED USING THE FOLLOWING DATA:

(A) DESIGN LIVE LOADS

ROOF	30 PSF
	10 TON MONORAIL & CRANE (SEE PLAN FOR LOCATION)
PUMP LEVEL	300 PSF
INTERMEDIATE LEVEL	300 PSF
OPERATIONS LEVEL	300 PSF
TRUCK LOADING	300 PSF
HEADWORKS	300 PSF
CONTROL RM.	200 PSF
UTILITY RM.	100 PSF
MEZZANINE LEVEL	100 PSF
GRIT CHAMBER	100 PSF

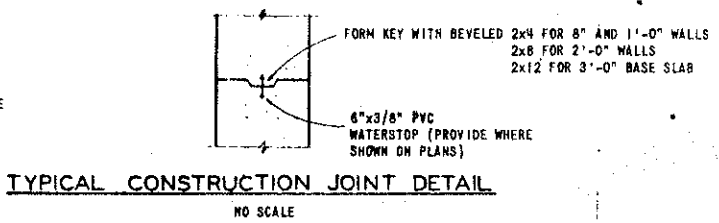
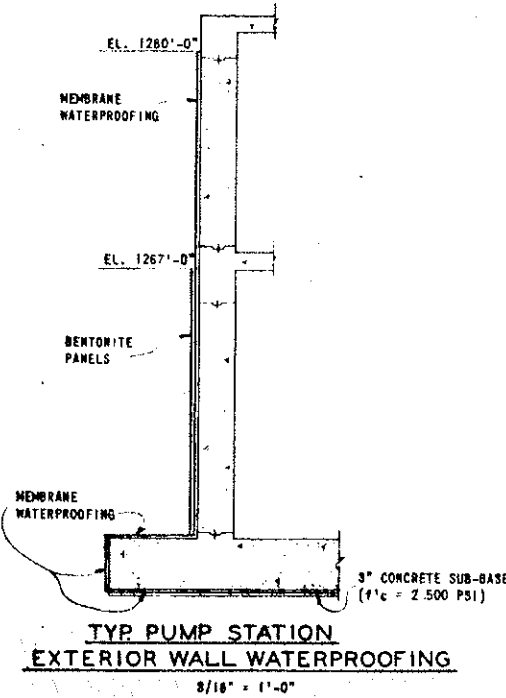
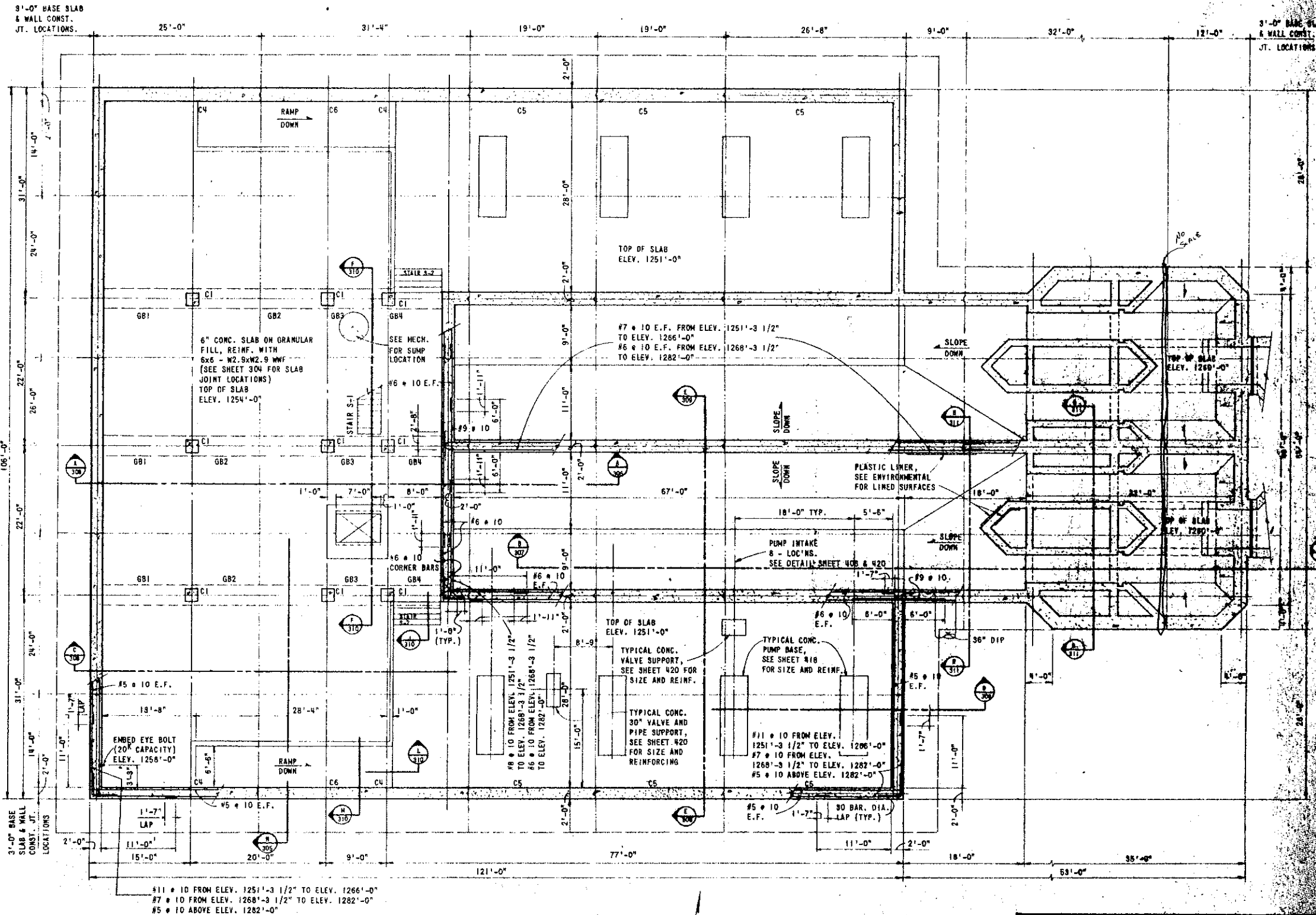
(B) DESIGN STRESSES

CONCRETE	$f'_c = 4,000$ PSI
REINFORCING	$f_y = 60,000$ PSI
STRUCTURAL STEEL	$F_y = 36,000$ PSI

(C) FOUNDATIONS

ALLOWABLE SOIL PRESSURE	2,000 PSF
-------------------------	-----------

- SEE MECHANICAL, ENVIRONMENTAL, AND ELECTRICAL DRAWINGS FOR SLEEVES AND OPENINGS IN FOUNDATION.
- PLACE TWO NUMBER FIVE BARS AROUND WINDOW AND DOOR OPENINGS IN CONCRETE WALLS. EXTEND BARS 2'-0" BEYOND CORNER OF OPENING.
- PUMP LEVEL LANDING SLAB SHALL HAVE A LAYER OF 30 POUND FELT IN JOINTS BETWEEN THE EDGE OF SLAB AND COLUMNS OR FOUNDATION WALLS.
- PROVIDE JOINTS IN PUMP LEVEL LANDING SLAB AS SHOWN ON PLANS.
- SEE ARCHITECTURAL, MECHANICAL, ENVIRONMENTAL, AND ELECTRICAL DRAWINGS FOR EMBEDDED ITEMS AND OPENINGS NOT SHOWN ON STRUCTURAL DRAWINGS.
- SEE MECHANICAL, ENVIRONMENTAL AND ELECTRICAL DRAWINGS FOR OPENINGS IN CONCRETE REQUIRED FOR PIPES AND EQUIPMENT NOT SHOWN ON STRUCTURAL DRAWINGS.
- PROVIDE CONCRETE BASES AS REQUIRED FOR MECHANICAL EQUIPMENT.
- PROVIDE ADDITIONAL REINFORCING AT SIDES OF OPENINGS EQUIVALENT TO REINFORCING INTERRUPTED BY OPENINGS. PROVIDE A MINIMUM OF TWO NUMBER FIVE BARS AT EACH SIDE OF OPENINGS AND EXTEND BARS 3'-0" PAST OPENINGS.
- PROVIDE 2" CLEARANCE FOR ALL REINFORCING UNLESS OTHERWISE SHOWN.
- LAP HORIZONTAL WALL REINFORCING 30 DIAMETERS AT ALL SPLICES UNLESS OTHERWISE SHOWN.
- SEE ENVIRONMENTAL SHEETS FOR CONCRETE PIPE SUPPORTS.



PUMP LEVEL FRAMING PLAN

1/8" = 1'-0"

WICHITA, KANSAS
PLANT NO. 1 PUMPING STATION
PUMP LEVEL FRAMING PLAN
STRUCTURAL

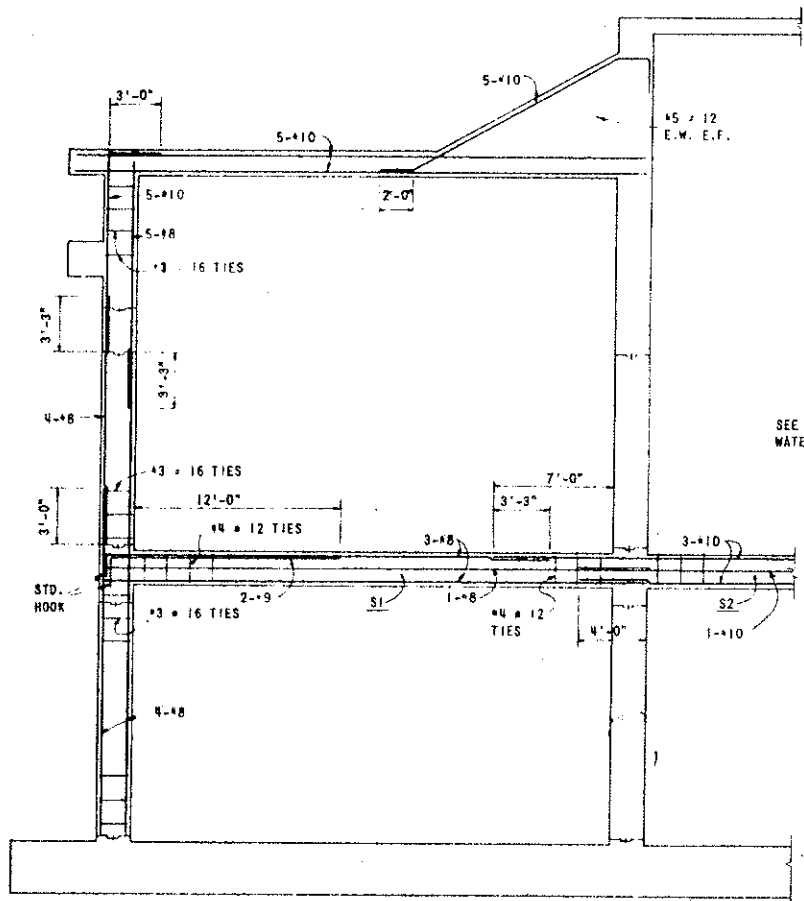
DESIGN	MAR	DRAWN	JWV
DATE	FEB. 1973		
FILE NO.	78-1832		
SHEET NO.	381		
OF	418		

REVISION

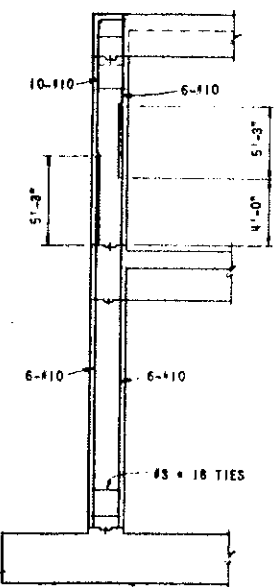
DATE

BY

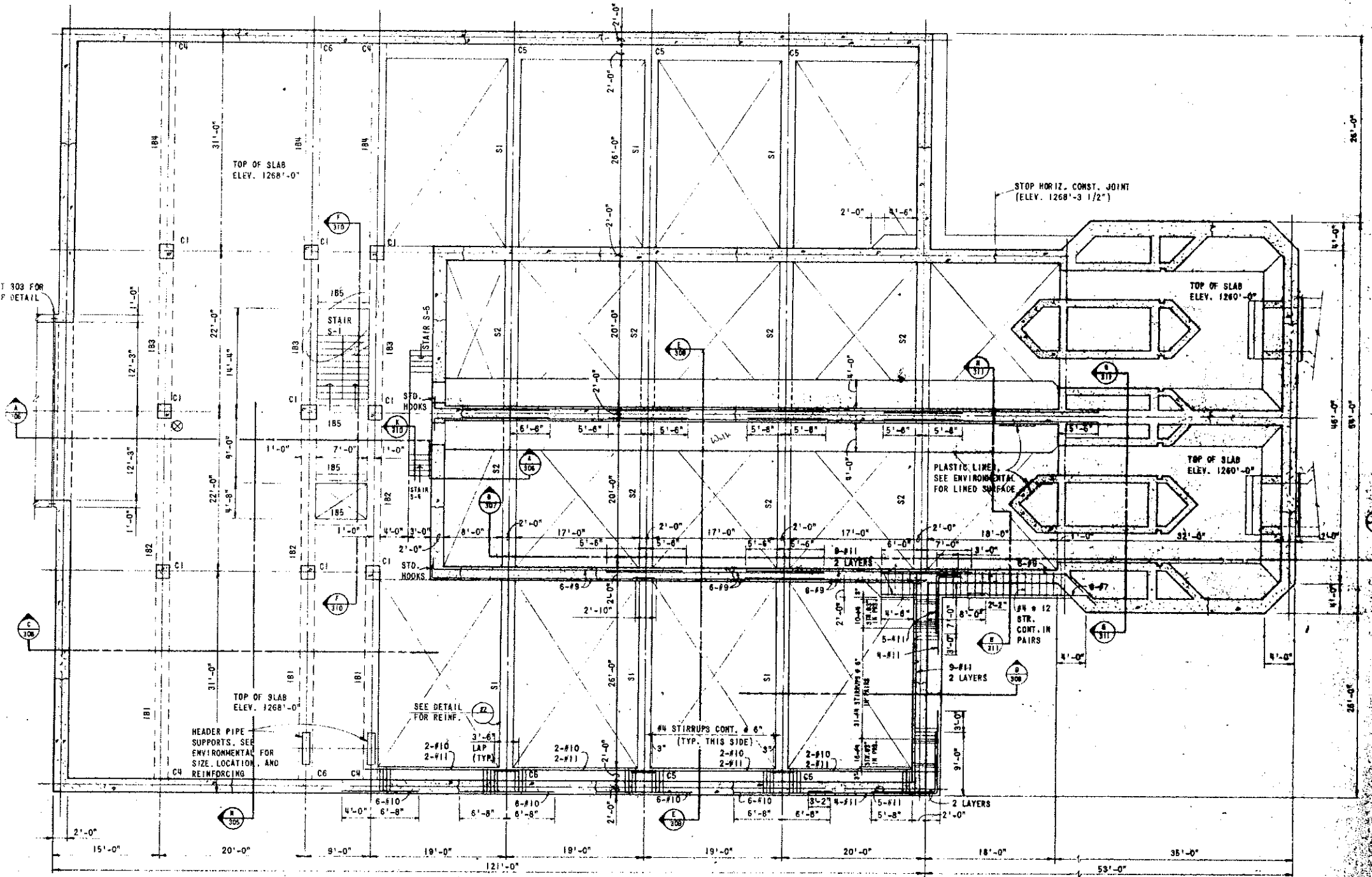
SHELLEY-WILSON
ENGINEERS-ARCHITECTS-PLANNERS



DETAIL Z-Z
3/16" = 1'-0"
307



DETAIL Y-Y
3/16" = 1'-0"
308

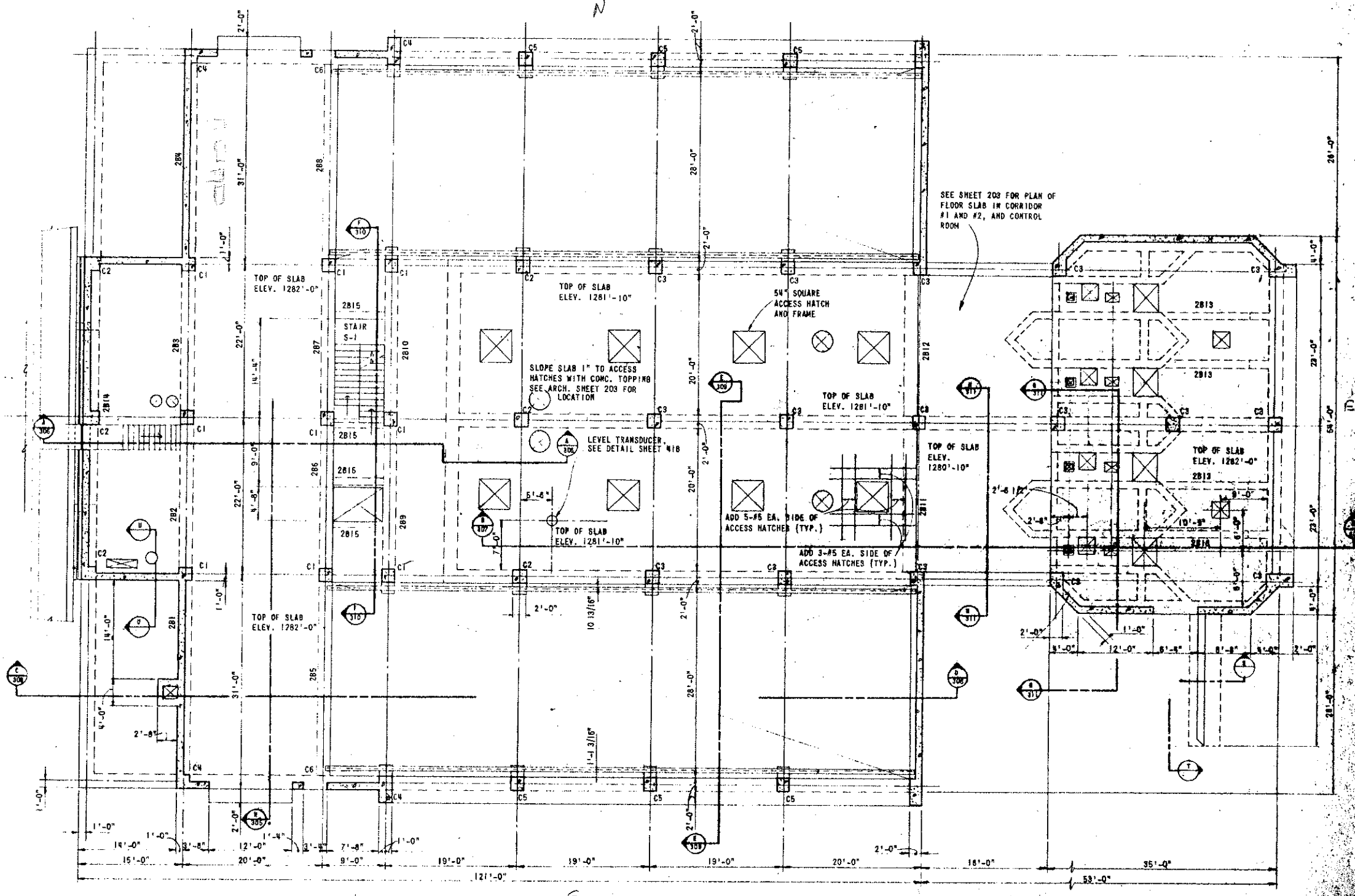
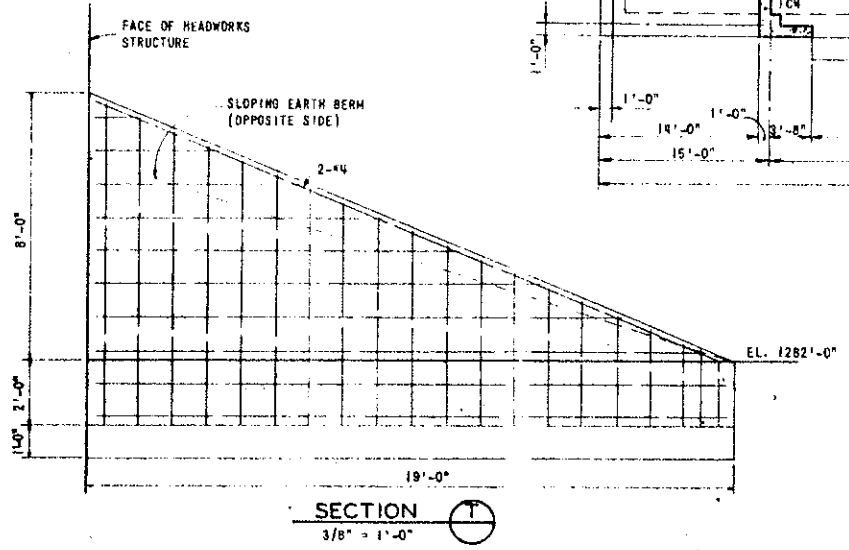
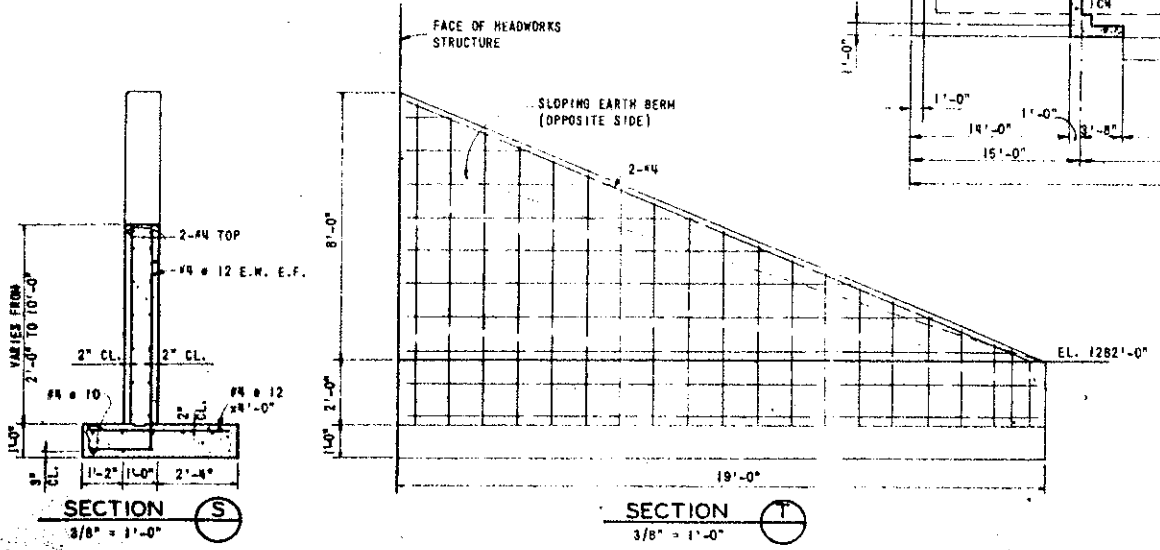
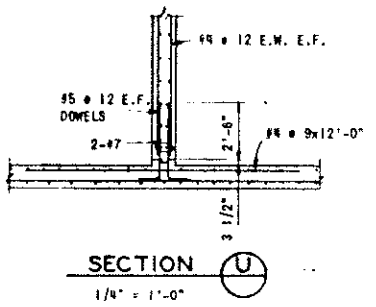
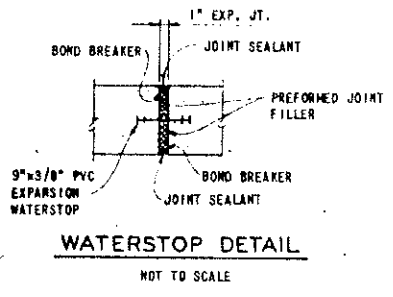


INTERMEDIATE LEVEL FRAMING PLAN
1/8" = 1'-0"

WICHITA, KANSAS
PLANT NO. 1 PUMPING STATION
INTERMEDIATE LEVEL FRAMING PLAN

DESIGN MAR	DRAWN TWS	DATE: FEB. 1974
		FILE NO. 75-181A
		SHEET NO. 302 OF 319

REVISION DATE BY



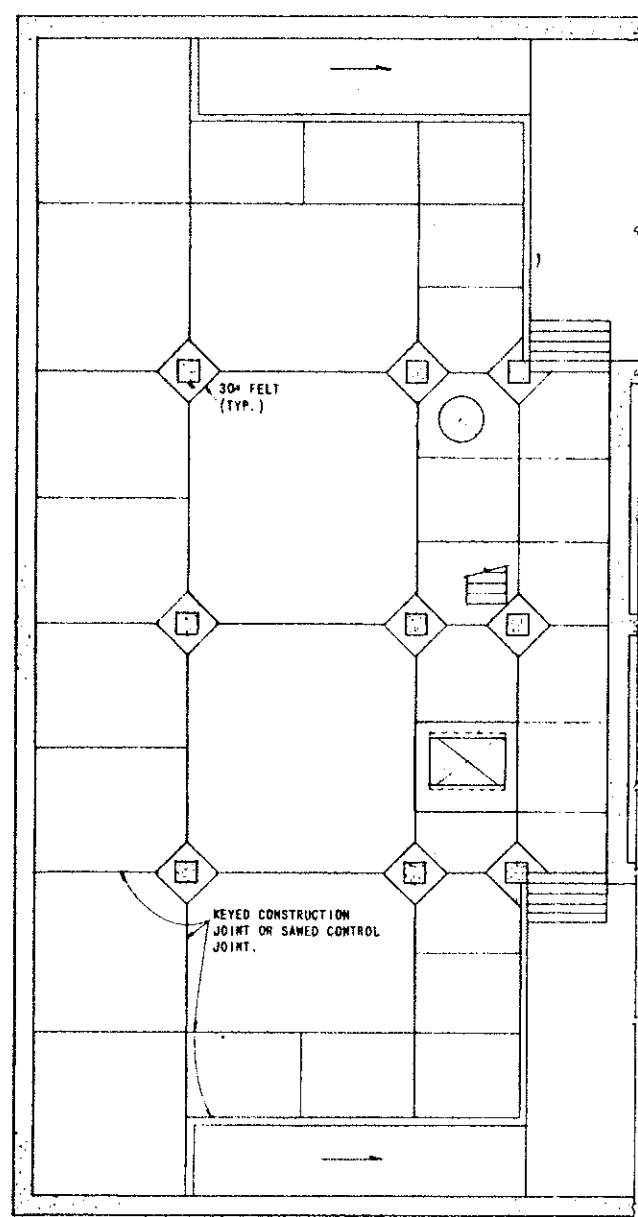
SEE SHEET 203 FOR PLAN OF FLOOR SLAB IN CORRIDOR #1 AND #2, AND CONTROL ROOM

OPERATIONS LEVEL FRAMING PLAN
1/8" = 1'-0"

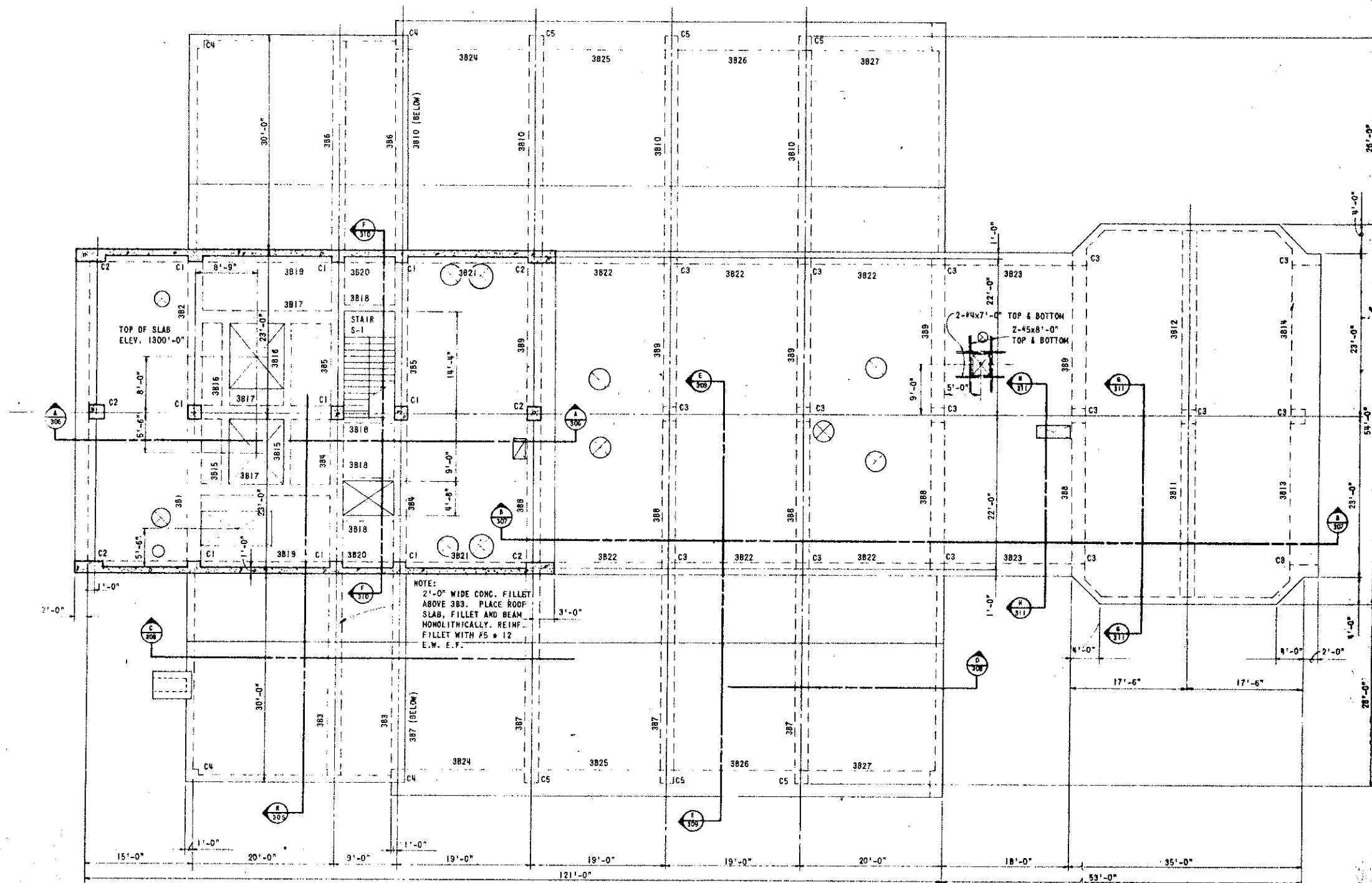
WICHITA, KANSAS
PLANT NO. 1 PUMPING STATION
OPERATIONS LEVEL - FRAMING PLAN
STRUCTURAL

DESIGN MAR	DRAWN MJV	DATE: FEB. 1978
		FILE NO. 75-1014
		SHEET NO. 303 OF 310

REVISION DATE BY



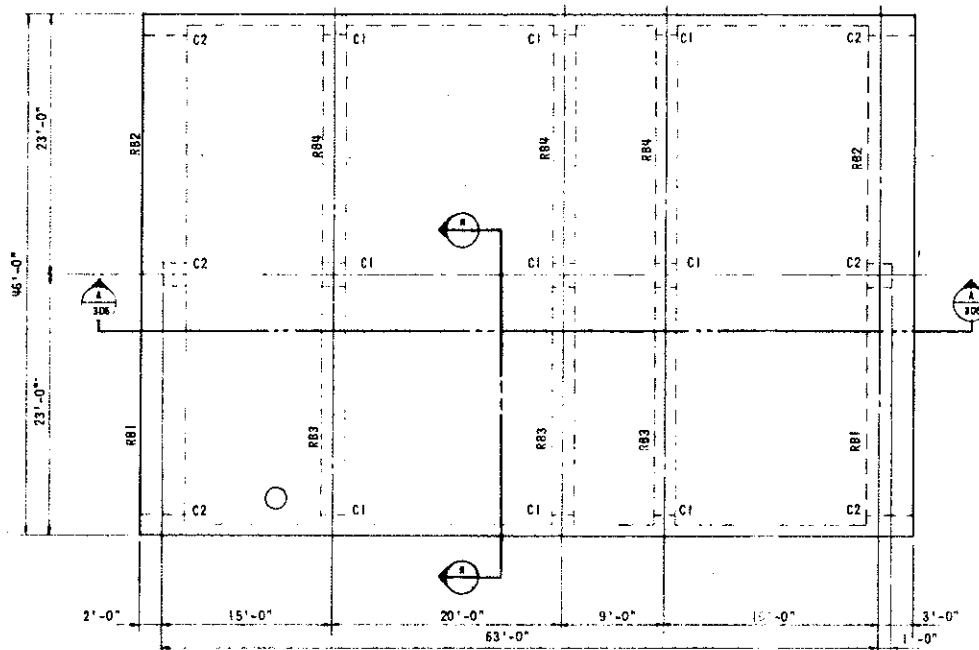
PUMP LEVEL LANDING SLAB JOINT LOCATIONS
1/8" = 1'-0"



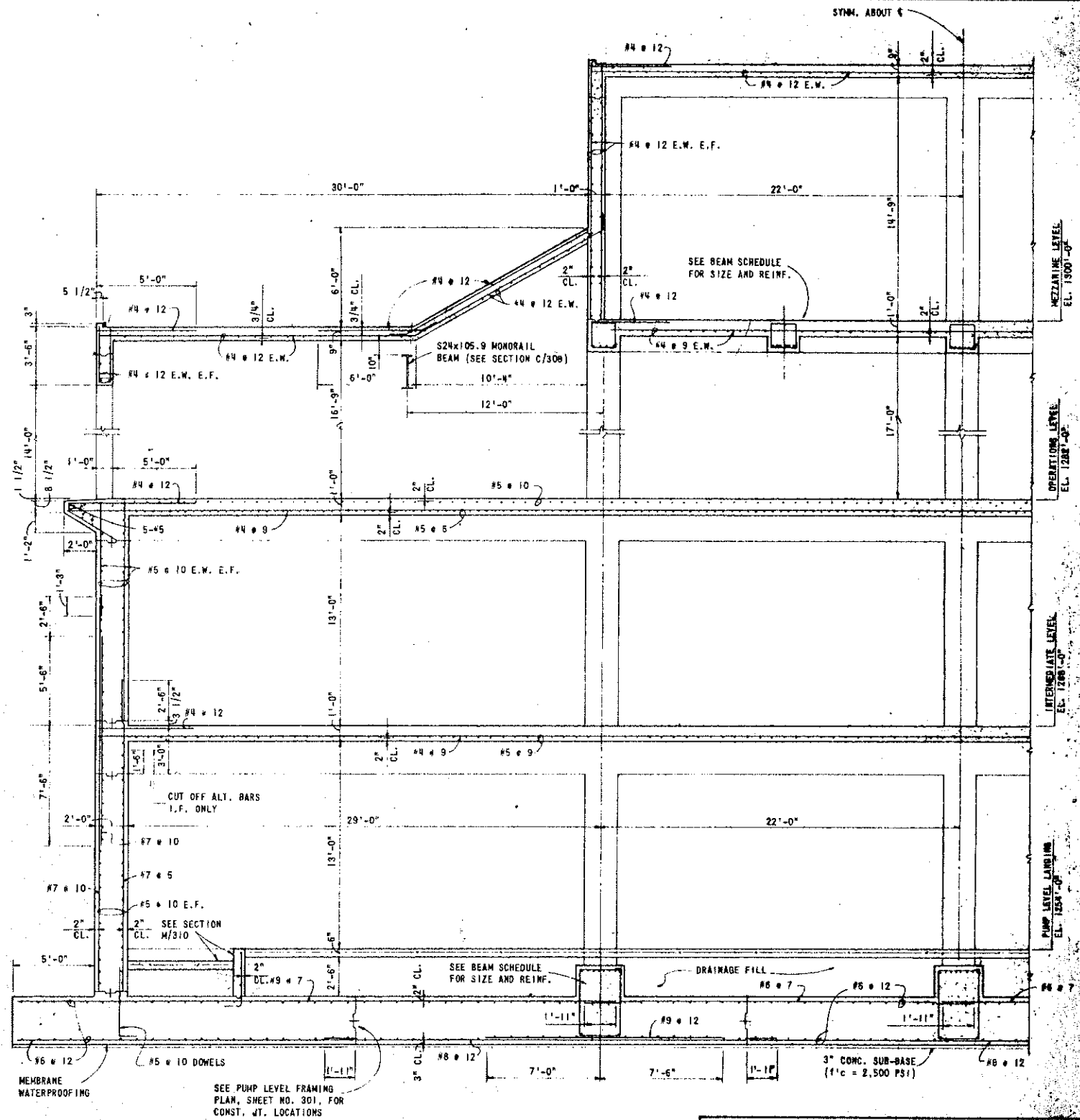
MEZZANINE LEVEL AND ROOF FRAMING PLAN
1/8" = 1'-0"

WICHITA, KANSAS
PLANT NO. 1 PUMPING STATION
MEZZANINE LEVEL AND ROOF FRAMING PLAN
STRUCTURAL

DESIGN MAR	DRAWN MJV	DATE: FEB. 1978
		FILE NO. 75-101A
		SHEET NO. 304 OF 319
REVISION	DATE	BY





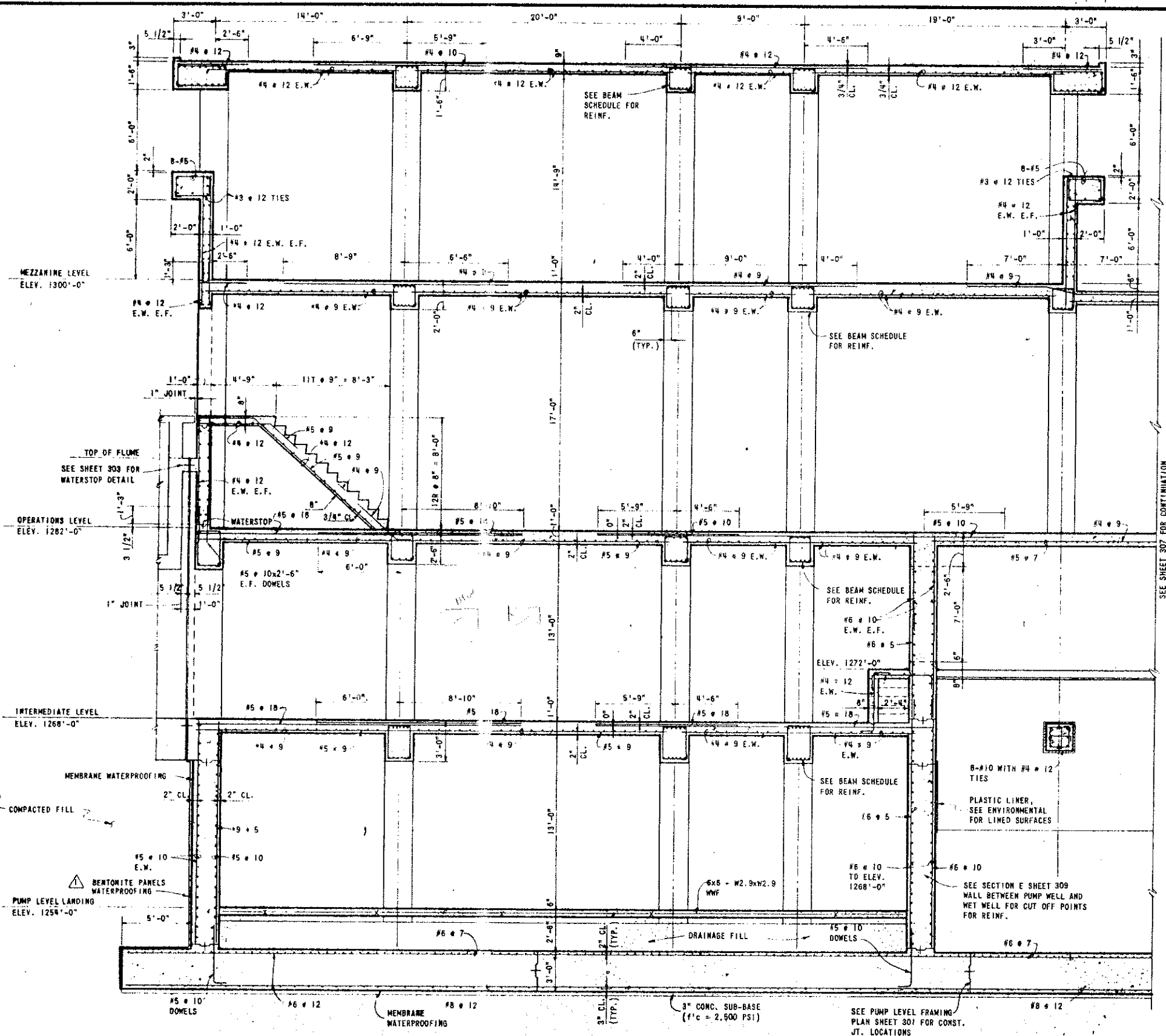
MEZZANINE ROOF FRAMING PLAN
1/8" = 1'-0"



SECTION N
1/4" = 1'-0"

WICHITA, KANSAS
PLANT NO. 1 PUMPING STATION
MEZZANINE ROOF FRAMING PLAN AND SECTION
STRUCTURAL

DESIGNER MAR	DRAWN MJV	DATE SEPT. 1977
		 Shelly Wilson ENGINEERS-ARCHITECTS-PLANNERS <small>300 LAMAR, WICHITA, KANSAS 67201</small>
REVISION DATE BY		FILE NO. 75-101A SHEET NO. 305 OF 318



SEE SHEET 307 FOR CONTINUATION

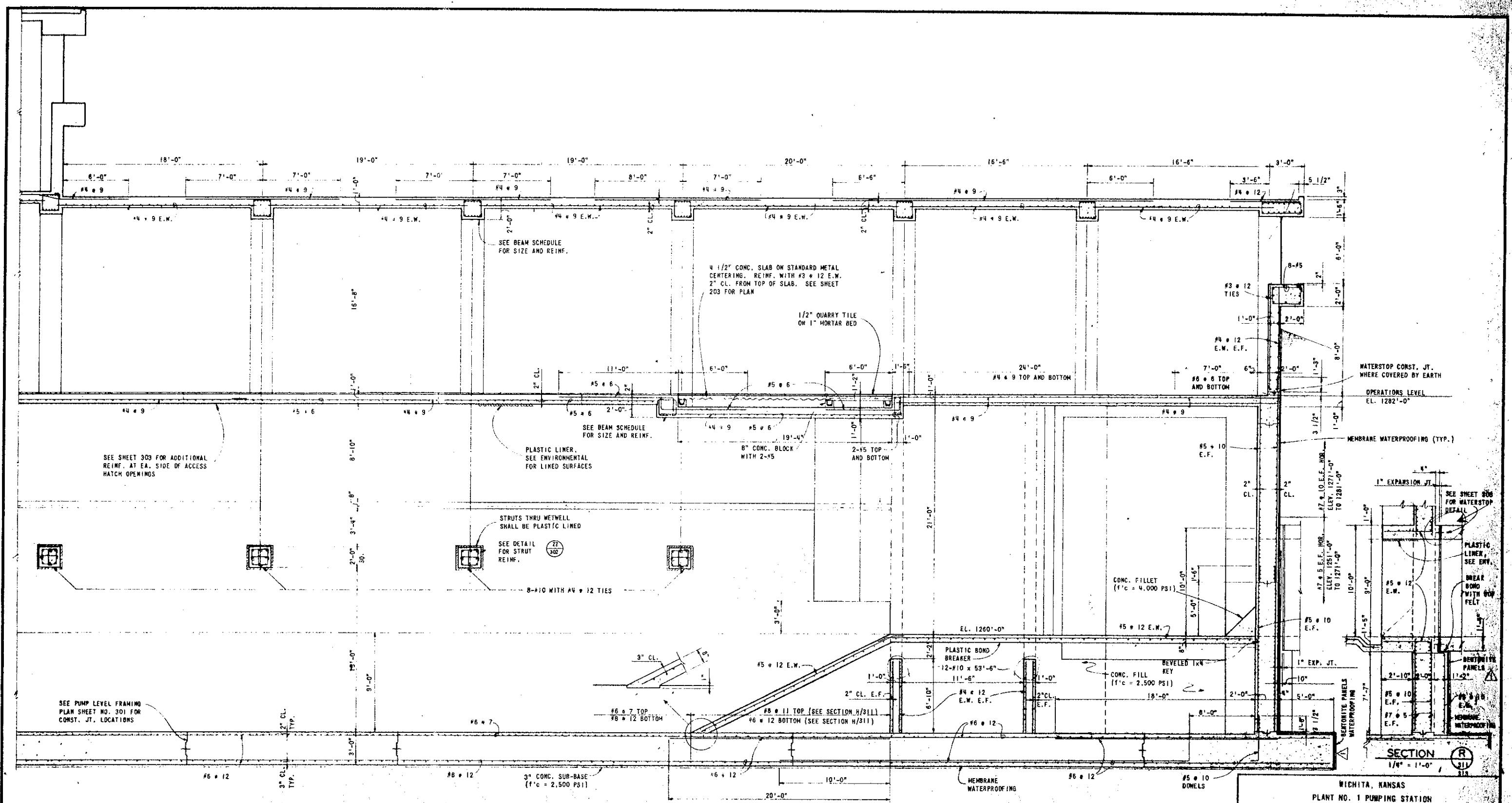
SECTION **A**
 SCALE: 1/4" = 1'-0"
 301
 302
 303
 304
 305

WICHITA, KANSAS
 PLANT NO. 1 PUMPING STATION
 BUILDING SECTION AND DETAILS
 STRUCTURAL

ADD BENTONITE PANELS	APR. 76	JGG	DESIGN MAR	DRAW TWS, RWA	DATE: FEB. 1978
					FILE NO. 75-101A
					SHEET NO. 308
					OF 318

SHELLEY-WILSON
 ENGINEERS-ARCHITECTS-PLANNERS

204 LARCH ST. WICHITA, KANSAS 67201



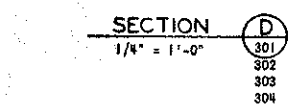
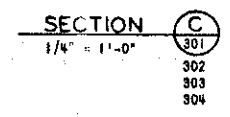
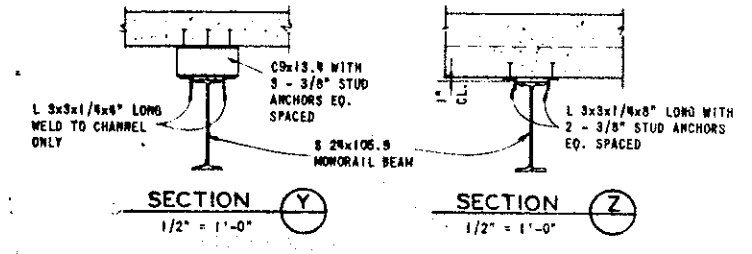
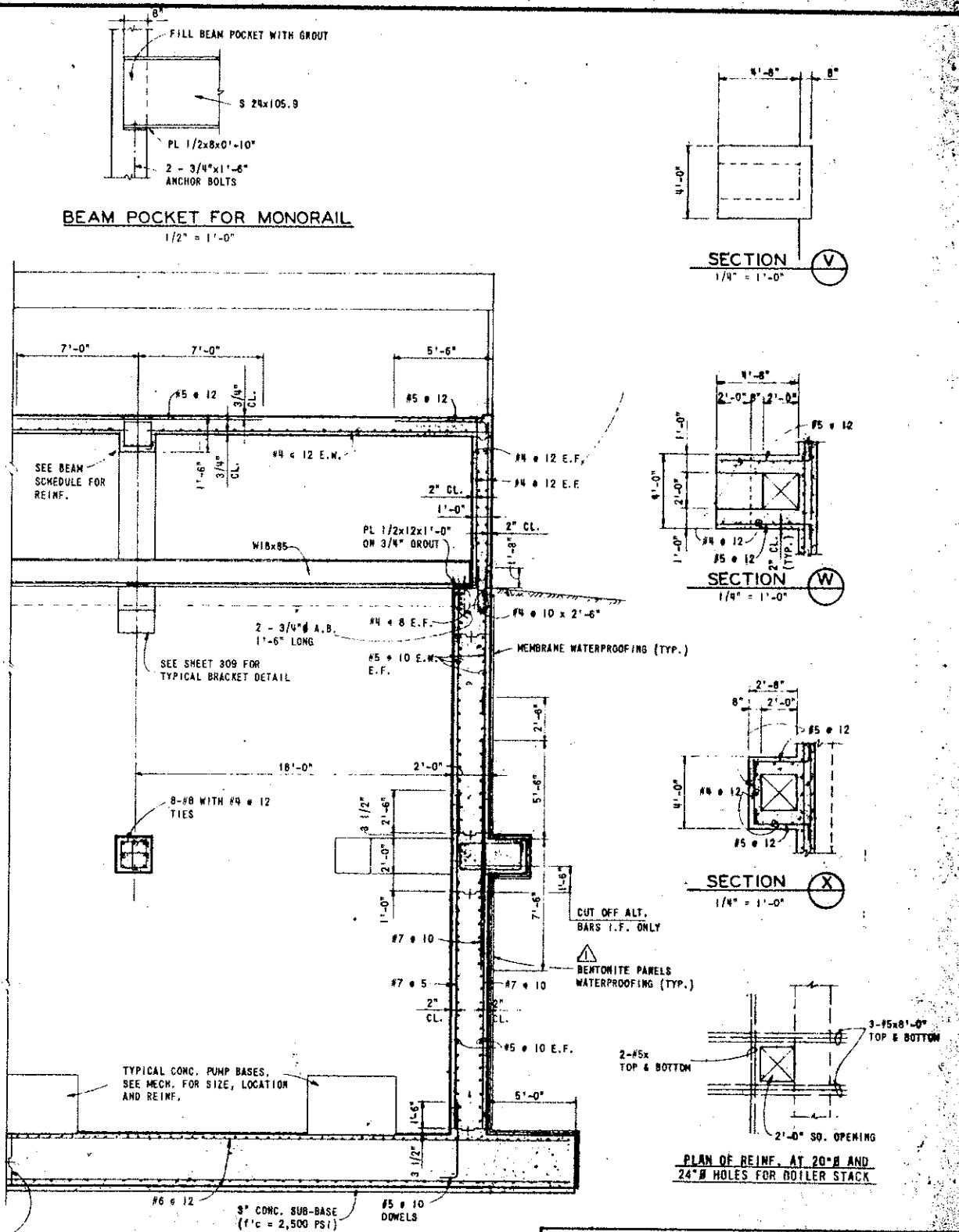
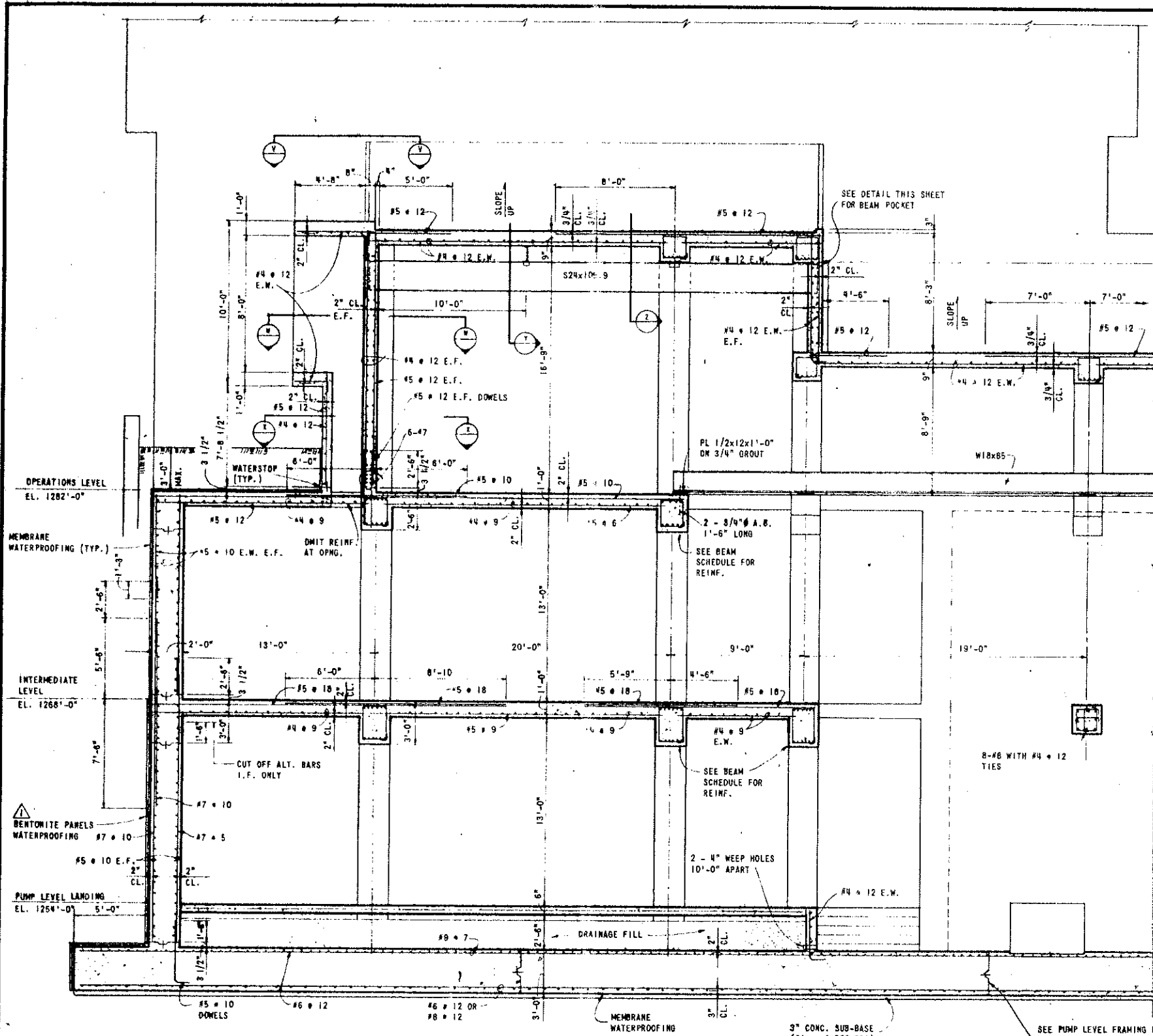
SECTION B
1/4" = 1'-0"

SECTION R
1/4" = 1'-0"

WICHITA, KANSAS
PLANT NO. 1 PUMPING STATION
BUILDING SECTION
STRUCTURAL

REVISION	DATE	BY
ADD BENTONITE PANELS	APR. 78	JBG

DESIGN MAR	DRAWN RWA	DATE FEB. 1978
		FILE NO. 75-187A
SHELLEY-WILSON ENGINEERS-ARCHITECTS-PLANNERS ONE LAUREL - WICHITA, KANSAS 67201		SHEET NO. 307 OF 318



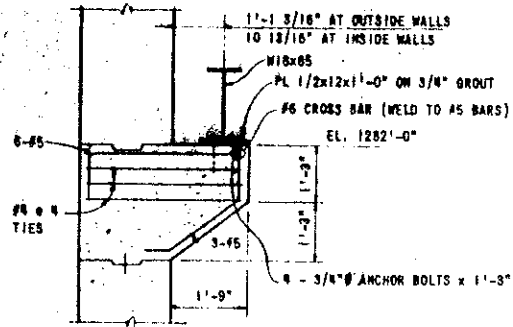
REVISION	DATE	BY
ADD BENTONITE PANELS	APR. 78	JOB

WICHITA, KANSAS
 PLANT NO. 1 PUMPING STATION
 BUILDING SECTIONS
 STRUCTURAL

DESIGN: MAR
 DRAWN: TWS, RWA

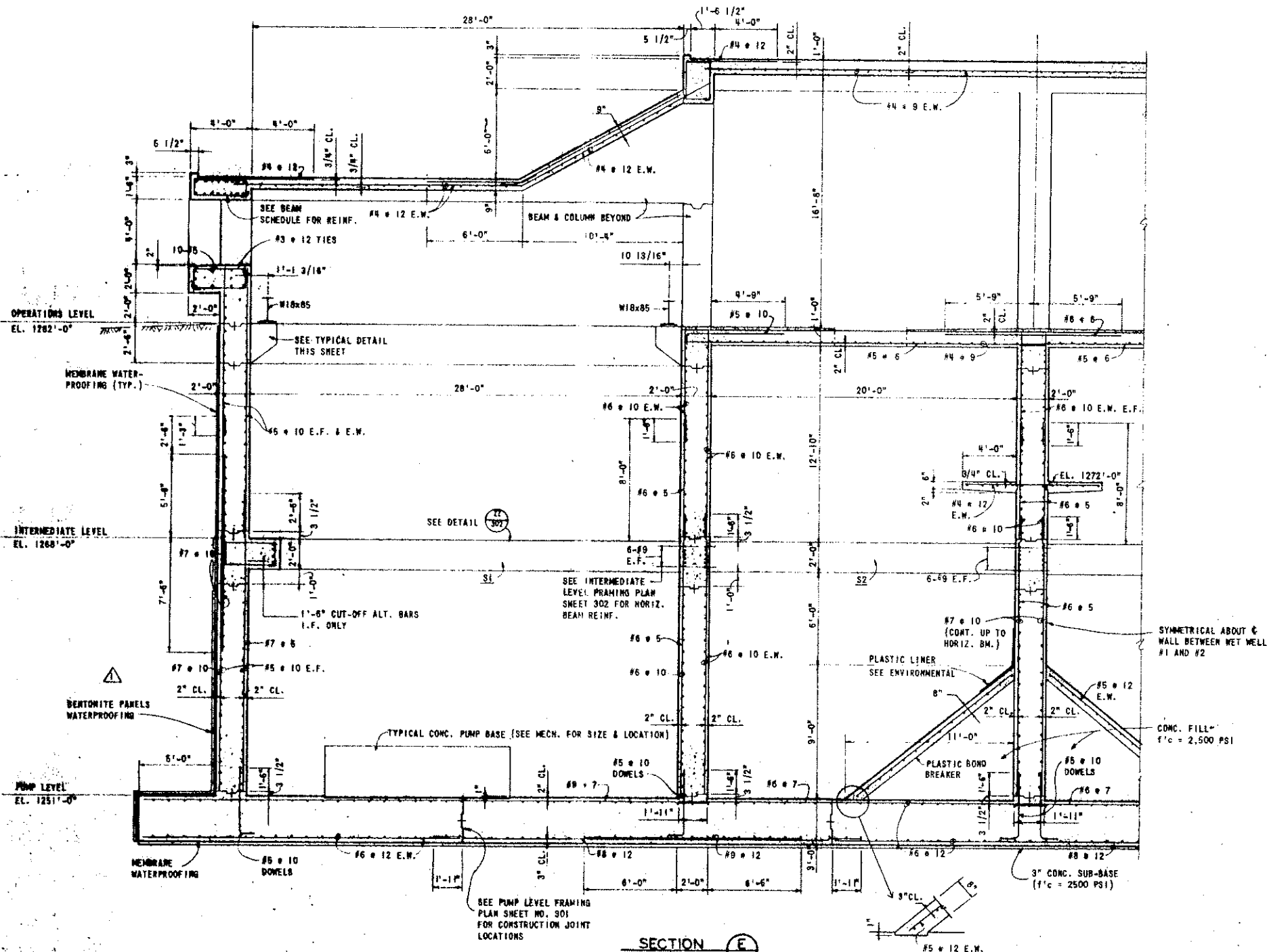
DATE: FEB. 1978
 FILE NO. 75-181A
 SHEET NO. 303
 OF 319

SHILLEY-WILSON
 ENGINEERS-ARCHITECTS-PLANNERS



TYP. DETAIL AT CRANE GIRDER BRACKETS

1/2" = 1'-0"



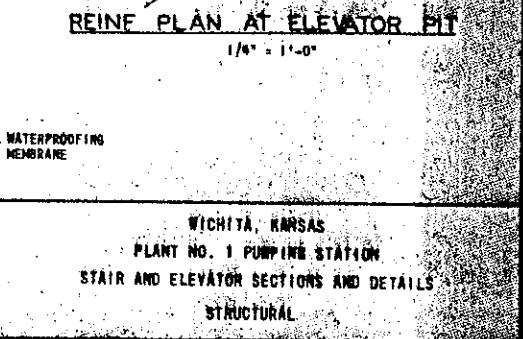
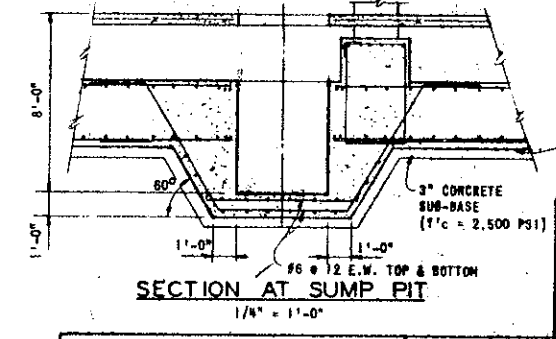
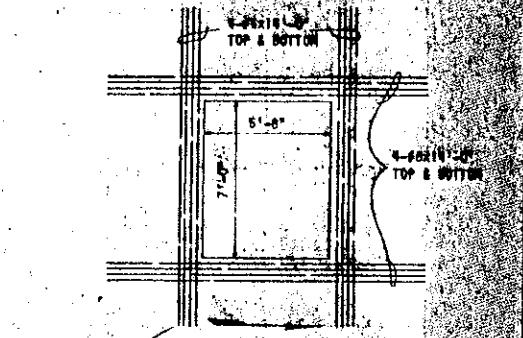
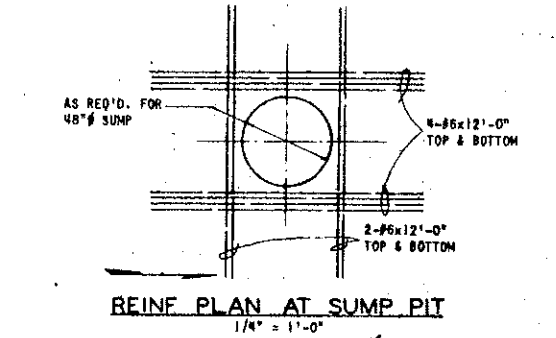
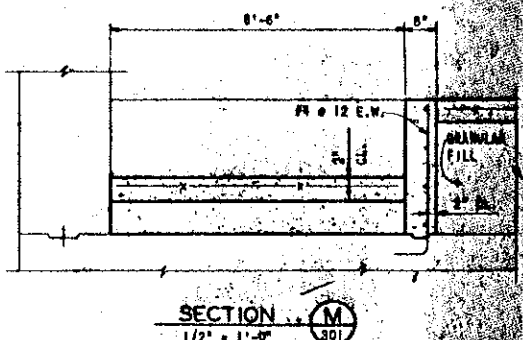
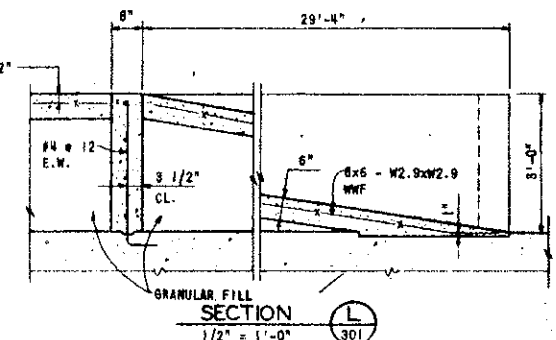
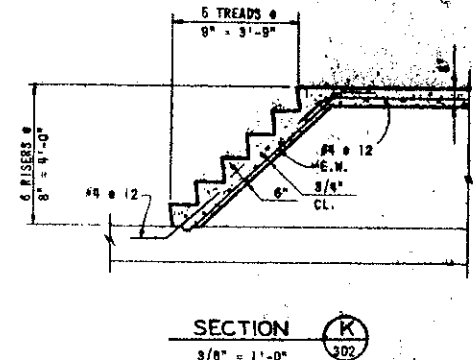
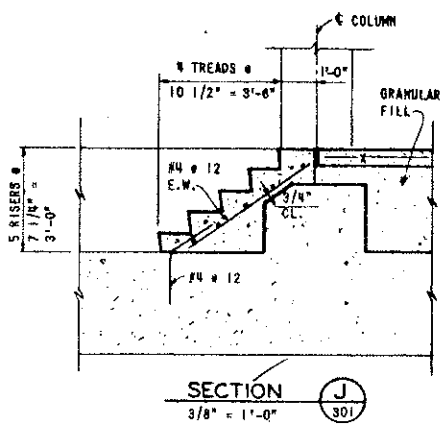
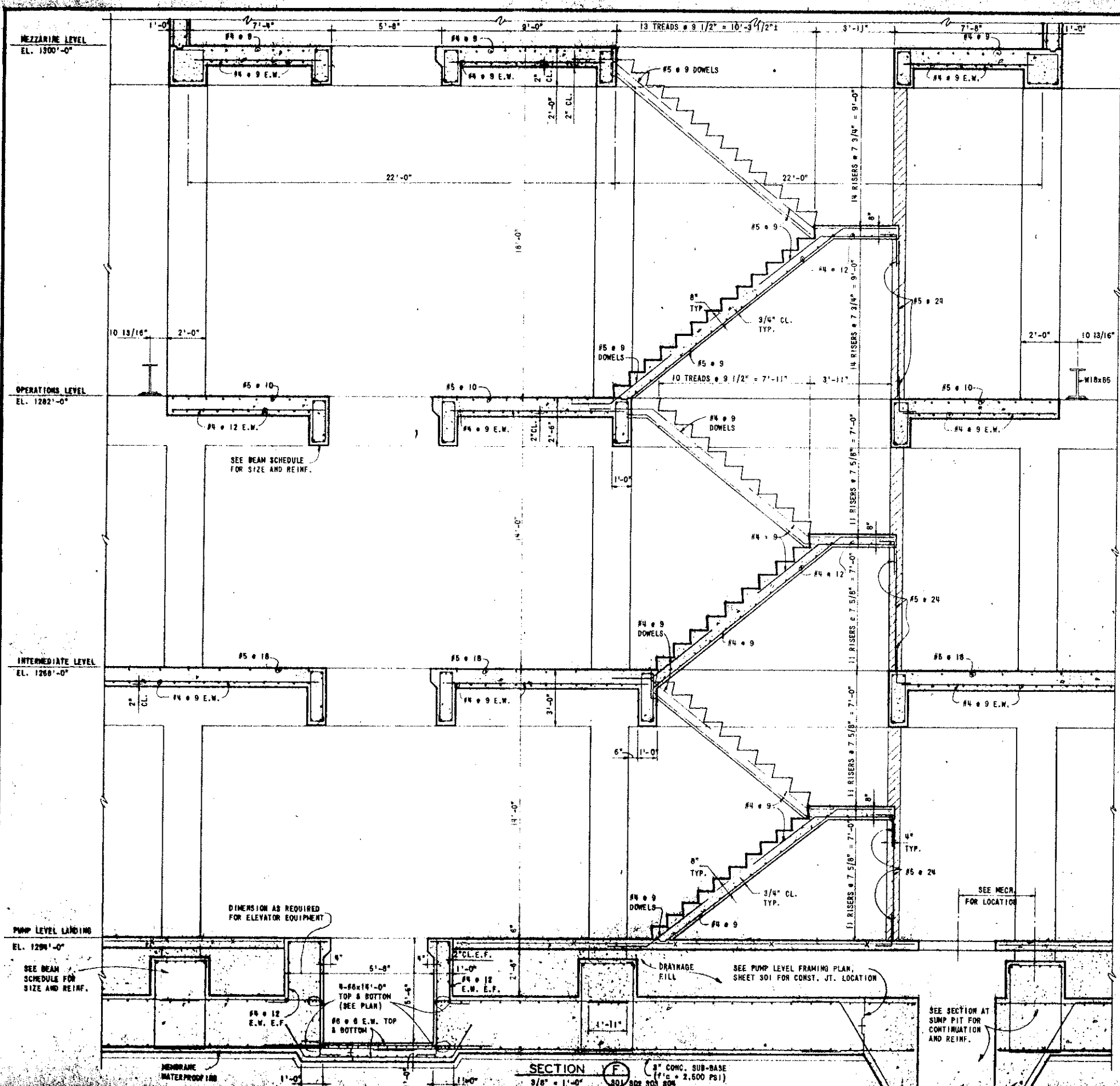
SECTION E
1/4" = 1'-0" 301 302 303 304

WICHITA, KANSAS
PLANT NO. 1 PUMPING STATION
BUILDING SECTION AND DETAILS
STRUCTURAL

DESIGN	DATE	BY	DATE
MAR	APR. 70	JGG	FEB. 1970
DRAWN	FILE NO.		
TVS, RWA	79-101A		
	SHEET NO.		
	OF 8		

SHILLEY-WILSON
ENGINEERS-ARCHITECTS-PLANNERS

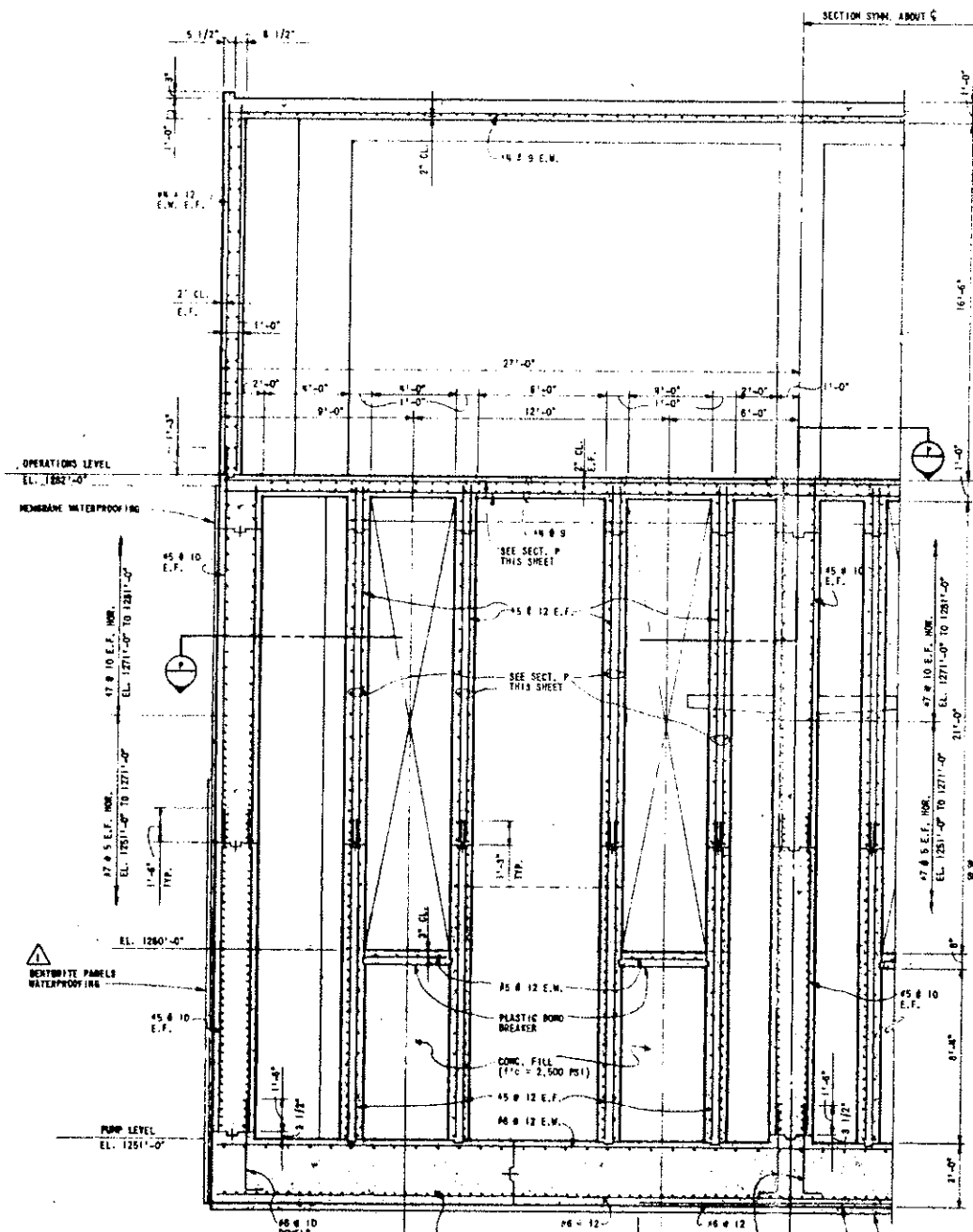
ADD BERTONITE PANELS	APR. 70	JGG
REVISION	DATE	BY



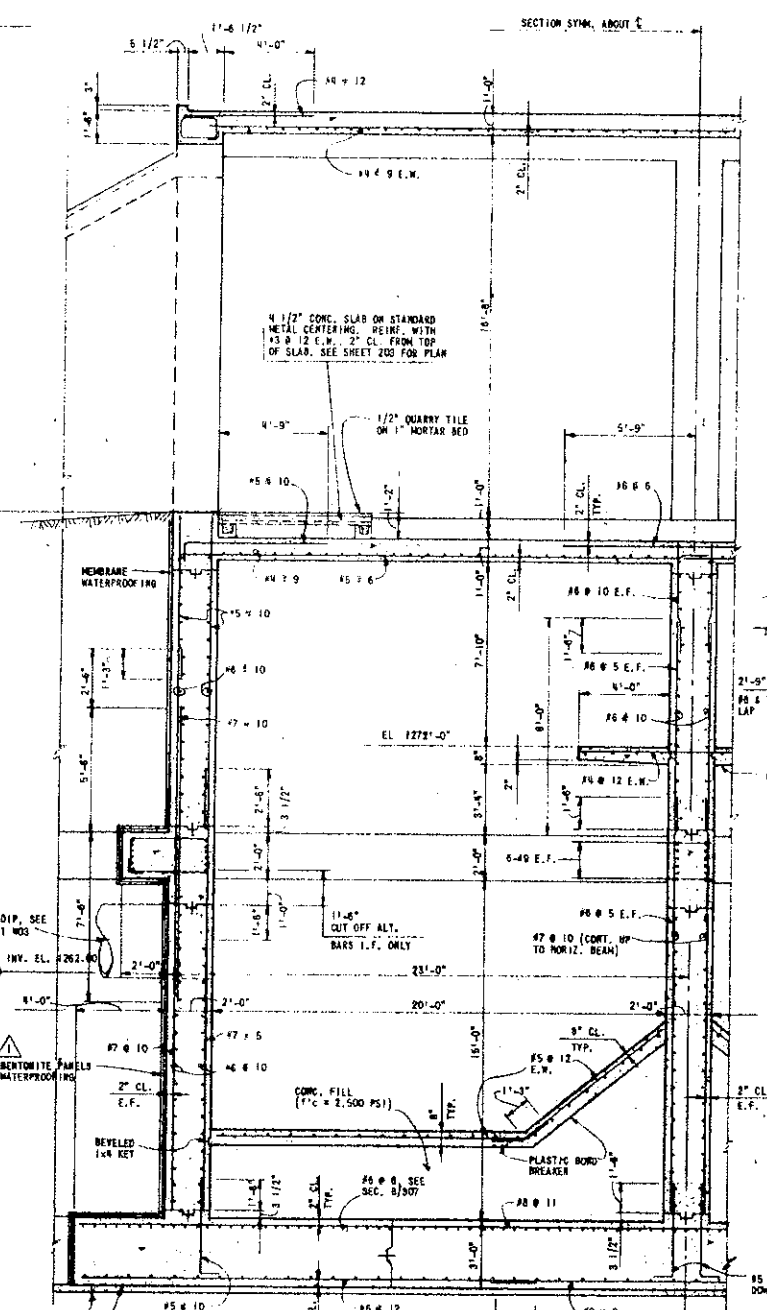
WICHITA, KANSAS
 PLANT NO. 1 PUMPING STATION
 STAIR AND ELEVATOR SECTIONS AND DETAILS
 STRUCTURAL

REVISION	DATE	BY

DESIGN RWA	DRAWN TWS, RWA	DATE FEB 1978
		FILE NO. 75-1813
		SHEET NO. 311
SHELLY-WILSON ENGINEERS-ARCHITECTS-PLANNERS 200 N. W. 10th St., Wichita, Kansas, 67202		OF 310



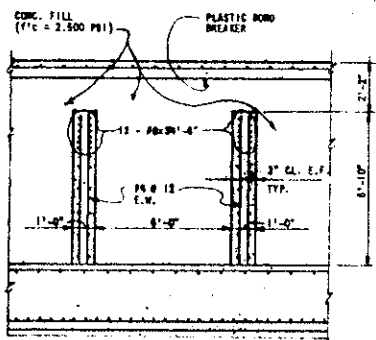
SECTION G
1/4" = 1'-0"



SECTION H
1/4" = 1'-0"



SECTION P
1/4" = 1'-0"



SECTION Q
1/4" = 1'-0"

*BARS: #6 @ 6 EL. 1261'-0" TO 1268'-0"
#6 @ 12 EL. 1268'-0" TO 1281'-0"

- NOTES:
1. REINF. IN 1'-0" WALLS TO HAVE 2" CONC. COVER.
 2. SEE PUMP LEVEL FRAMING PLAN, SHEET 301, FOR CONST. JT. LOCATION.

REVISION	DATE	BY

WICHITA, KANSAS
PLANT NO. 1 PUMPING STATION
BUILDING SECTION
STRUCTURAL

DESIGN MAR	DRAWN MJJ	DATE: FEB. 1978
		FILE NO. 78-371A
SHELLEY-WILSON ENGINEERS-ARCHITECTS-PLANNERS		SHEET NO. 311 OF 318

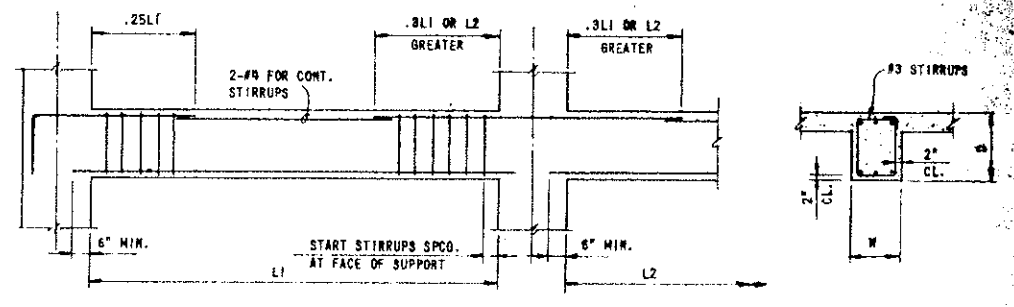
BEAM SCHEDULE

MARK	SIZE W x D	REINFORCING		SKETCH	STIRRUPS	REMARKS
		BOTTOM	TOP			
081	36x60	2-#11 WE. 8-#11 EA.	6-#8		CONT. # 18	STIRRUPS IN PAIRS
082	36x60	6-#10 EA.	6-#10		CONT. # 16	STIRRUPS IN PAIRS
083	36x60	2-#10	6-#8		CONT. # 16	STIRRUPS IN PAIRS
084	36x60	FROM 083	FROM 083		CONT. # 16	STIRRUPS IN PAIRS
181	24x36	6-#8 SO. 6-#10 NO.			5#4, 4#6, 9#12 SO. 5#4, 4#6, 10#12 NO.	
182	24x36	5-#7	3-#10		1#3, 2#6, 7#12 SO. 1#3, 9#12 NO.	
183	24x36	5-#7	6-#10		1#3, 2#6, 7#12 NO.	
184	24x36	6-#8	6-#8		5#4, 4#6, 10#12 SO. 5#4, 4#6, 9#12 NO.	
185	12x36	2-#6	2-#6		CONT. # 10	
281	24x30	5-#10 6-#10 NO.			15#4, 5#6, 2#9, 3#12 E.E.	STIRRUPS IN PAIRS
282	24x30	6-#7	6-#10		11#6, 3#12 E.E.	STIRRUPS IN PAIRS
283	24x30	6-#7	3-#10		11#6, 3#12 E.E.	STIRRUPS IN PAIRS
284	24x30	5-#10	6-#10		15#4, 5#6, 2#9, 3#12 E.E.	STIRRUPS IN PAIRS
285	24x30	5-#7	5-#7 SO. 4-#10 NO.		6#6, 4#9, 8#12 SO. 6#4, 4#6, 9#12 NO.	
286	24x30	5-#7	6-#10		9#4, 4#6, 9#12 NO. 15#3, 6#4, 3#6, 4#12 NO.	
287	24x30	5-#7	4-#10		9#4, 4#6, 9#12 NO. 6#4, 4#6, 9#12 NO.	
288	24x30	5-#7	5-#7 NO.		6#6, 4#9, 8#12 SO.	
289	24x30	6-#5	8-#8 SO. 4-#9 NO.		CONT. # 12	
2810	24x30	6-#5	6-#6		CONT. # 12	
2811	24x24	6-#5	6-#8 SO. 4-#9 NO.		CONT. # 12	
2812	24x24	6-#5	6-#6		CONT. # 12	
2813	12x24	3-#10	3-#10			BARS ARE 24'-0" LG. END 2" FROM EXT. FACE
2814	24x36	2-#11 2-#10	2-#11 2-#10		CONT. # 12	
2815	12x30	2-#6	2-#6		CONT. # 10	

NOTE: BAR LENGTHS NOT SCHEDULED ARE AS SHOWN ON THE TYPICAL BEAM.

BEAM SCHEDULE

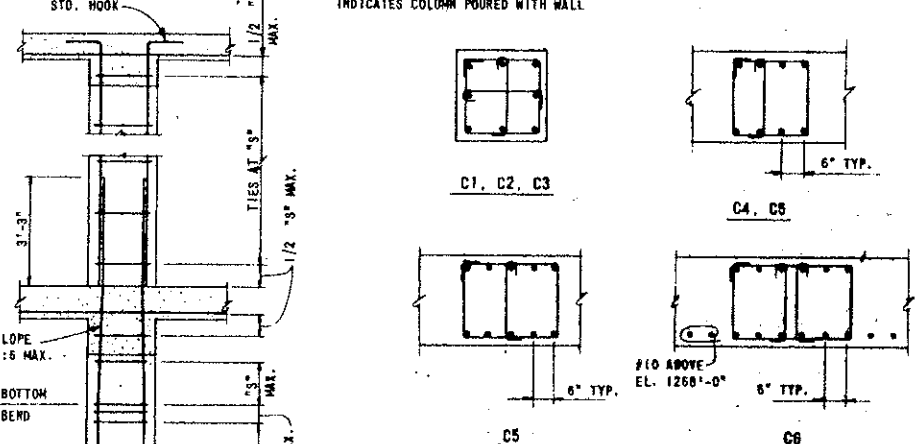
MARK	SIZE W x D	REINFORCING		SKETCH	STIRRUPS	REMARKS
		BOTTOM	TOP			
381	24x24	6-#5	6-#6 SO. 4-#9 NO.		CONT. # 10	
382	24x24	6-#5	6-#6		CONT. # 10	
383	24x18	6-#6	6-#7 SO. 6-#7 NO.		4#6, CONT. # 8 E.E.	CHANGE BEAM DEPTH AT SLOPING ROOF
384	24x24	6-#5	5-#7		CONT. # 10	
385	24x24	6-#5	6-#7		CONT. # 10	
386	24x24	6-#6	6-#7		4#6, CONT. # 8 E.E.	CHANGE BEAM DEPTH AT SLOPING ROOF
387	24x18	5-#10	5-#10 SO. 5-#10 NO.		4#6, CONT. # 8 E.E.	
388	24x24	6-#5	6-#8 SO. 4-#9 NO.		CONT. # 10	
389	24x24	6-#5	6-#6		CONT. # 10	
3810	24x18	5-#10	5-#10 SO. 5-#10 NO.		4#6, CONT. # 8 E.E.	
3811	24x24	6-#6	6-#6 SO. 4-#10 NO.		CONT. # 10	
3812	24x24	6-#6	6-#6		CONT. # 10	
3813	48x18	8-#5	8-#5 SO. 8-#6 NO.		CONT. # 8	
3814	48x18	8-#5	8-#5		CONT. # 8	
3815	12x24	2-#8	2-#8		CONT. # 10	
3816	12x24	2-#8			CONT. # 10	
3817	24x24	6-#8	6-#8 WE. 6-#8 EA.		CONT. # 10	
3818	12x24	2-#5	2-#5		CONT. # 10	
3819	24x42	4-#7	4-#7 WE. 4-#7 EA.		CONT. # 12	
3820	24x42	4-#7			CONT. # 12	
3821	24x42	4-#7	4-#7		CONT. # 12	
3822	24x36	4-#7	4-#7		CONT. # 12	
3823	24x18	4-#7	4-#7 EA.		CONT. # 8	
3824	48x18	8-#5	8-#5 WE. 8-#5 EA.		CONT. # 8	
3825	48x18	8-#5	8-#5		CONT. # 8	
3826	48x18	8-#5	8-#5		CONT. # 8	
3827	48x18	8-#5	8-#5		CONT. # 8	
RB1	48x18	8-#5	8-#5 SO. 8-#5 NO.		CONT. # 8	
RB2	48x18	8-#5	8-#5		CONT. # 8	
RB3	24x18	4-#7	6-#5 SO. 5-#8 NO.		CONT. # 8	
RB4	24x18	4-#7	6-#5		CONT. # 8	



TYPICAL BEAM

COLUMN SCHEDULE

		C1	C2	C3	C4	C5	C6
ROOF							
EL. 1315'-8"	COL. SIZE	24x24	24x24				
	VERT. BARS	8-#8	8-#8	ROOF	ROOF	ROOF	
	TIES	#3 # 16	#3 # 16	EL. 1299'-6"	EL. 1299'-6"	EL. 1299'-6"	
MEZZANINE							
EL. 1300'-0"	COL. SIZE	24x24	24x24	24x24	24x24		
	VERT. BARS	8-#8	8-#8	8-#8	8-#8	DET.	
	TIES	#3 # 16	#3 # 16	#3 # 16	#3 # 16	(12)	
OPERATIONS							
EL. 1282'-0"	COL. SIZE	24x24			24x24	* DET.	* DET.
	VERT. BARS	8-#8			8-#8	(12)	(12)
	TIES	#3 # 16			#3 # 16	(12)	(12)
INTERMEDIATE							
EL. 1280'-0"	COL. SIZE	24x24			24x24	* DET.	* DET.
	VERT. BARS	8-#8			8-#8	(12)	(12)
	TIES	#3 # 16			#3 # 16	(12)	(12)
UPSET BEAM							
EL. 1253'-0"	TIES	#3 # 16			#3 # 16	(12)	(12)
						EL. 1251'-0"	EL. 1251'-0"



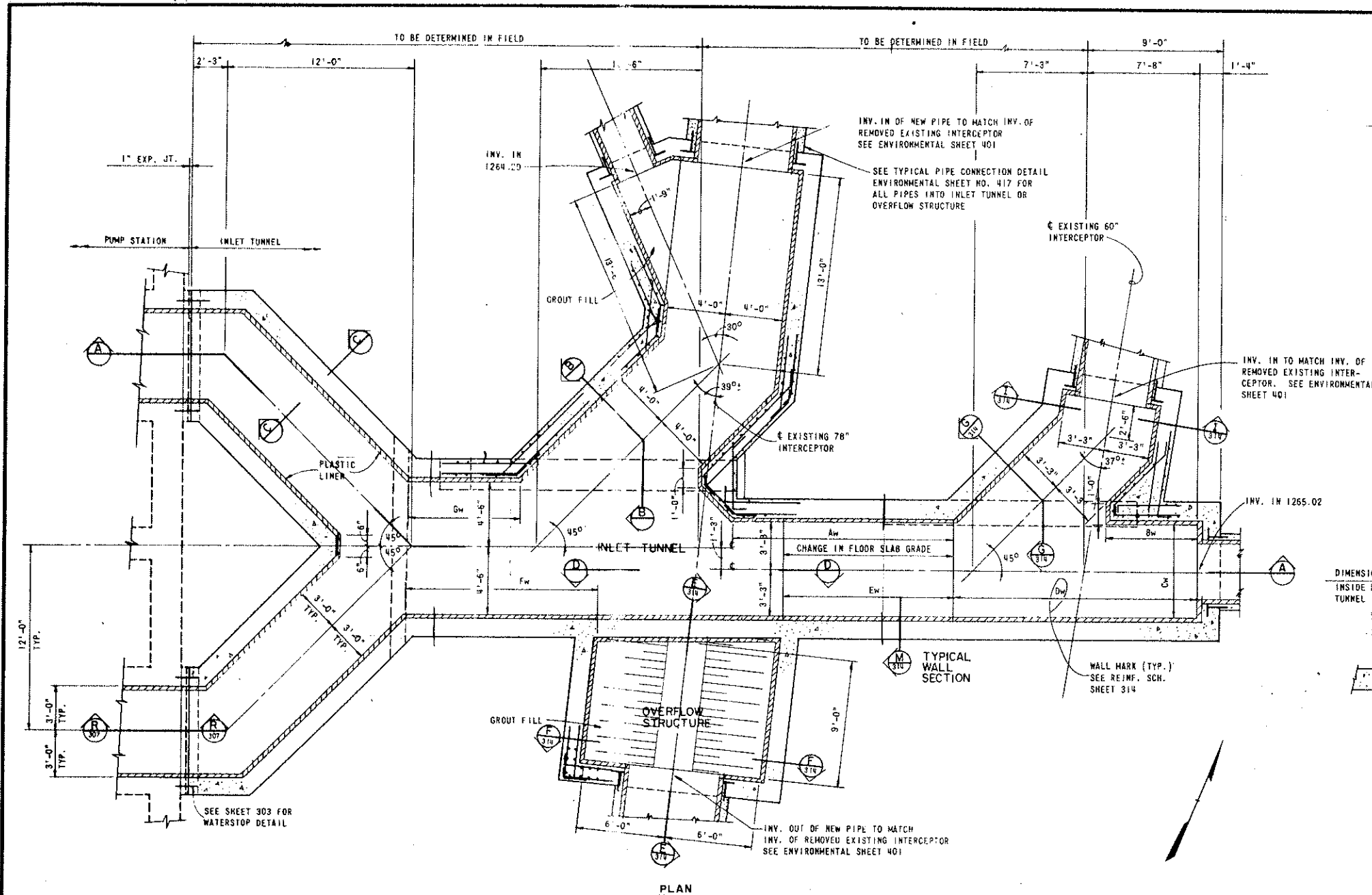
TYPICAL COLUMN TIE ARRANGEMENT

TYPICAL COLUMN DETAILS

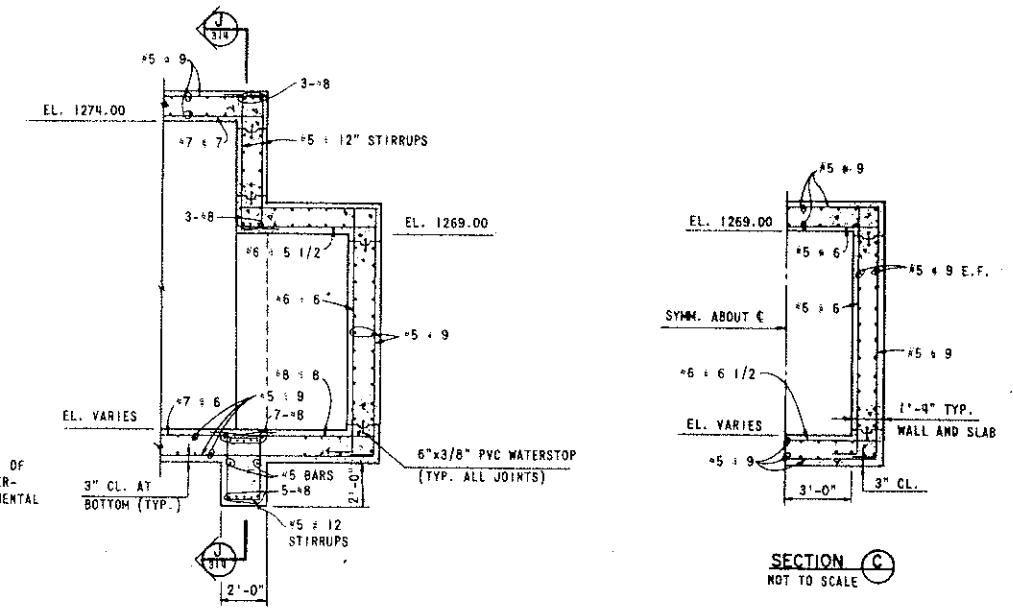
WICHITA, KANSAS
PLANT NO. 1 PUMPING STATION
BEAM AND COLUMN SCHEDULE
STRUCTURAL

DESIGN	MAR	DRAWN	MJV	DATE:	FEB. 1978
REVISION		DATE	BY	FILE NO.	78-1011
				SHEET NO.	31

SHELLY-WILSON
ENGINEERS-ARCHITECTS-PLANNERS

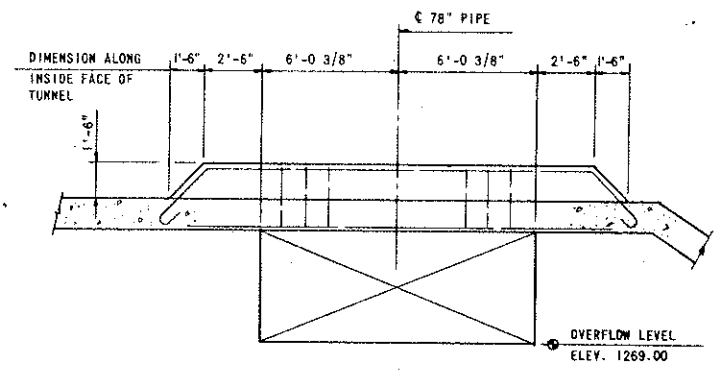


PLAN



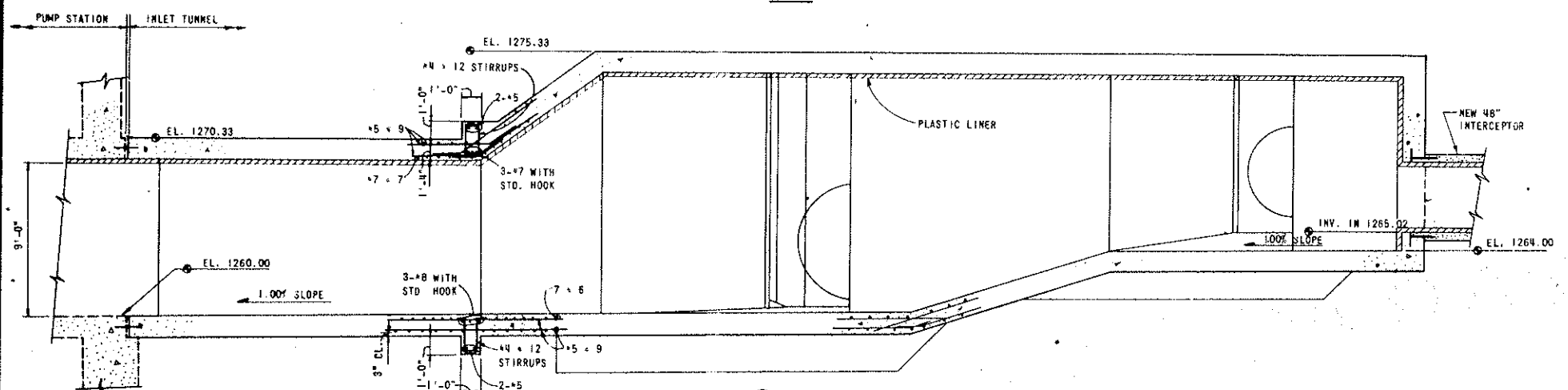
SECTION B
NOT TO SCALE

SECTION C
NOT TO SCALE



SECTION D
1/4\"/>

- NOTES:
1. INLET TUNNEL TO HAVE PLASTIC LINER CAST INTO PLACE ON ALL INTERIOR SURFACES EXCLUDING FLOOR.
 2. OVERFLOW STRUCTURE TO HAVE PLASTIC LINER CAST INTO PLACE ON ALL INTERIOR SURFACES INCLUDING FLOOR.
 3. POINTS OF ELEVATIONAL CHANGE IN THE TOP SLAB AND POINTS OF SLOPE CHANGE IN THE BOTTOM SLAB WILL BE DETERMINED BY THE FIELD LOCATION OF THE EXIST. INTERCEPTORS DURING CONSTRUCTION. RELATIONSHIPS OF THESE POINTS AND EXIST. INTERCEPTORS ARE SHOWN ON THE PLAN VIEW.
 4. PIPE FILLER PIECES FROM INLET TUNNEL TO EXIST. INTERCEPTORS TO BE INSTALLED WITH STEEL WATERSTOP RING JOINTED TO SPIGOT. FILLER PIECE WITH WATERSTOP TO BE JOINTED TO EXISTING PIPE, THEN CAST IN INLET TUNNEL WALL. REF. ENVIRONMENTAL SHEET 401.
 5. ALL WALLS AND SLABS 1'-4\"/>



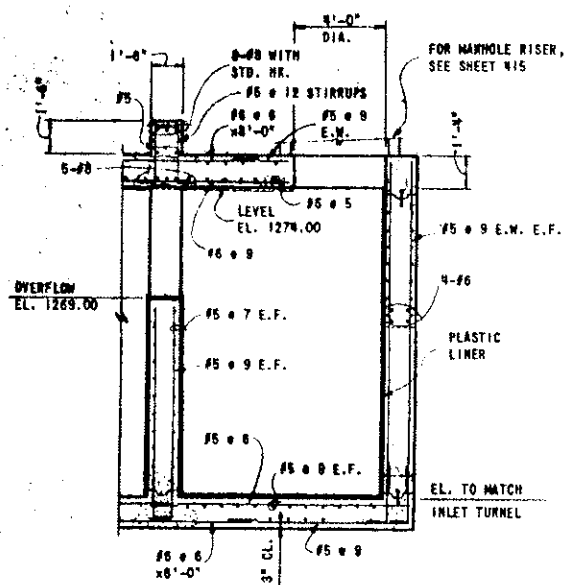
SECTION A
INLET TUNNEL AND OVERFLOW STRUCTURE
1/4\"/>

WICHITA, KANSAS
PLANT NO. 1 PUMPING STATION
INLET TUNNEL AND OVERFLOW STRUCTURE
STRUCTURAL

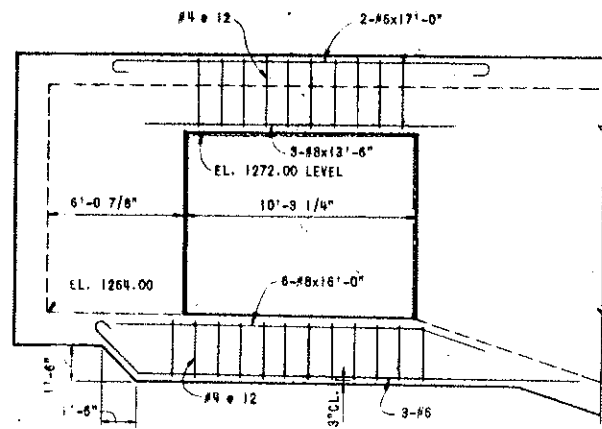
DESIGN KJS	DRAWN JFB	DATE: FEB. 1974
FILE NO. 75-181A		SHEET NO 313
OF 318		

SHELLEY-WILSON
ENGINEERS-ARCHITECTS-PLANNERS

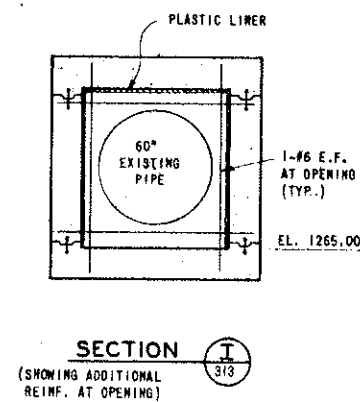
REVISION	DATE	BY



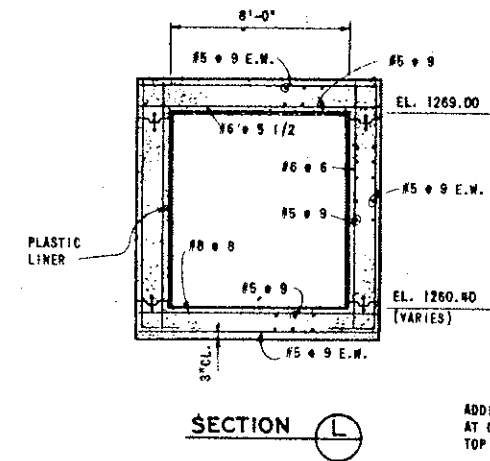
SECTION E
313



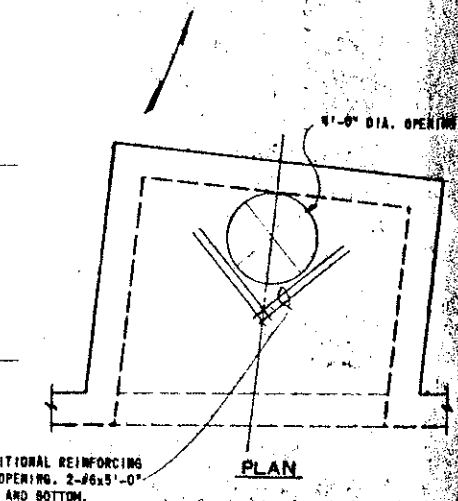
SECTION H
(SHOWING BEAM REINF.)
313



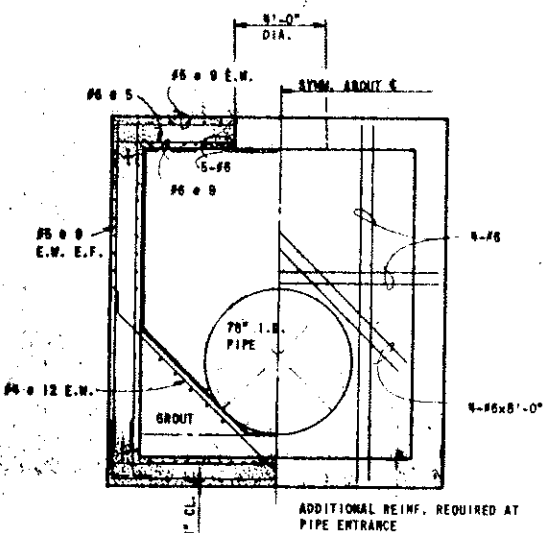
SECTION I
(SHOWING ADDITIONAL REINF. AT OPENING)
313



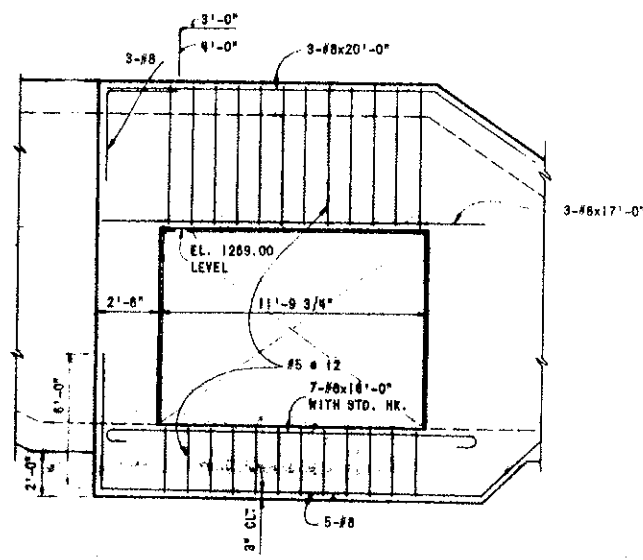
SECTION L
313



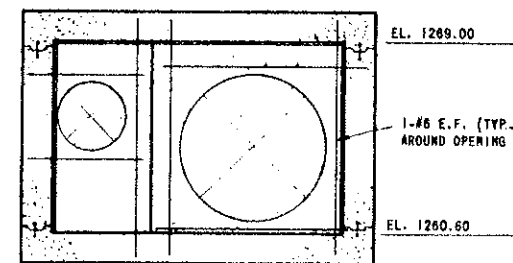
OVERFLOW STRUCTURE
SCALE: 1/4" = 1'-0"



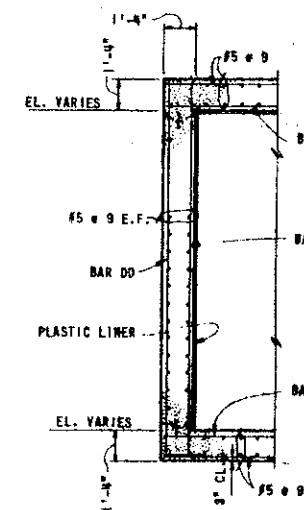
SECTION F
313



SECTION J
(SHOWING BEAM REINF.)
313

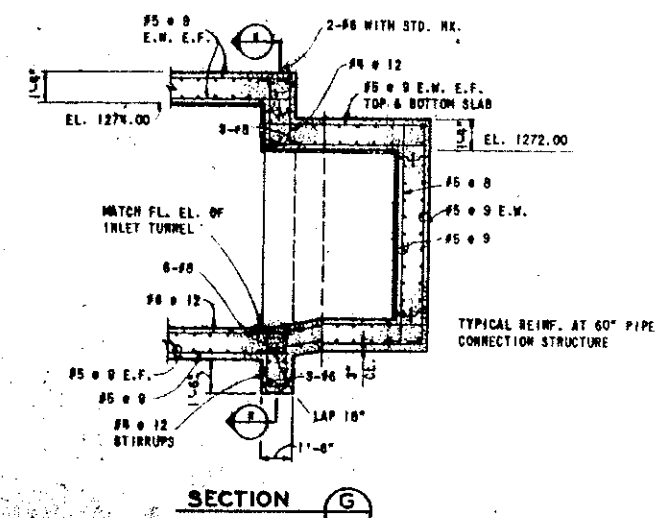


SECTION K
(SHOWING ADDITIONAL REINF. AT OPENING)
313



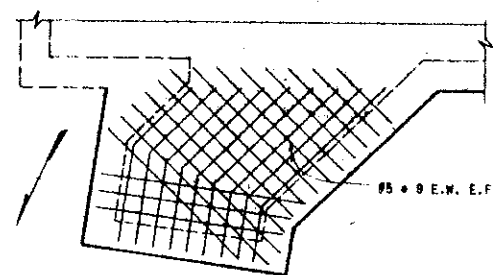
TYPICAL WALL SECTION M
(WITH REINF. SCHEDULE)
313

REINFORCING		
WALL MARK	BAR	REINF.
A ₁ & E ₁	AA	#5 @ 9
A ₂ & E ₂	BB	#8 @ 6
A ₃ & E ₃	CC	#8 @ 12
B ₁ & E ₁	DD	#5 @ 8
B ₂ & E ₂	AA	#5 @ 9
B ₃ & E ₃	BB	#5 @ 8
C ₁ & D ₁	CC	#8 @ 12
C ₂ & D ₂	DD	#5 @ 9
F ₁ & G ₁	AA	#7 @ 7
F ₂ & G ₂	BB	#8 @ 8
F ₃ & G ₃	CC	#7 @ 6
F ₄ & G ₄	DD	#5 @ 7



SECTION G
313

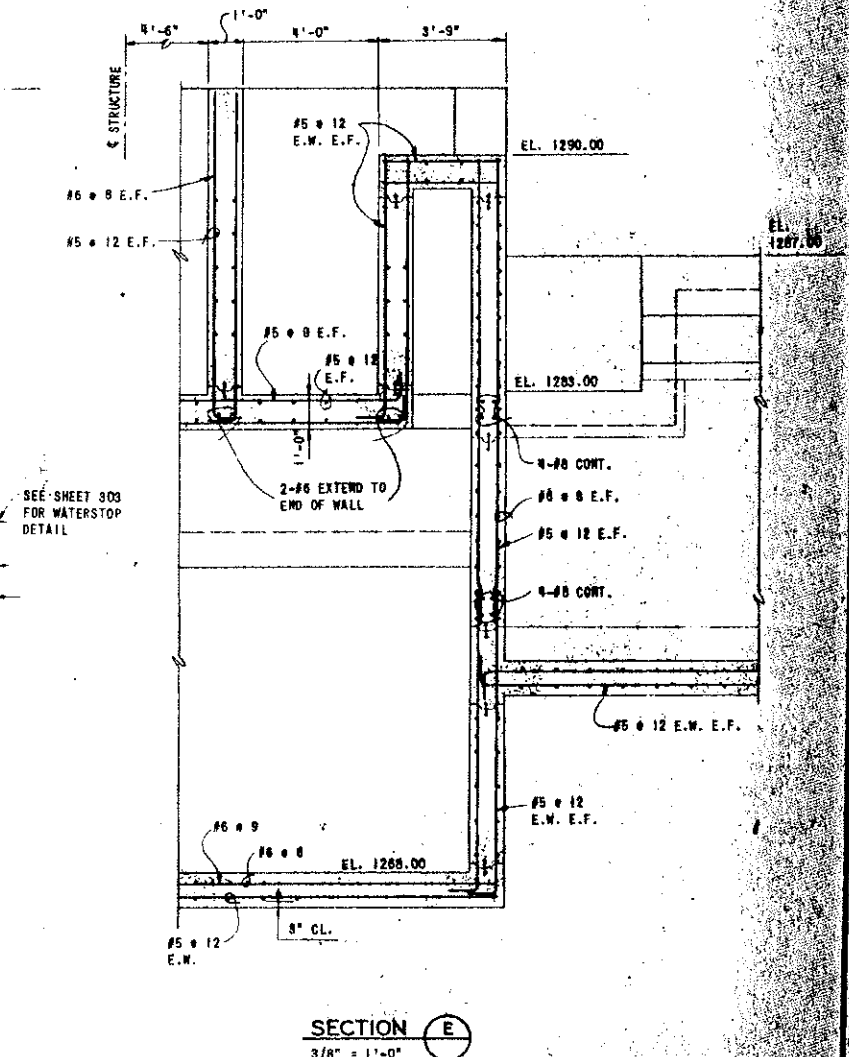
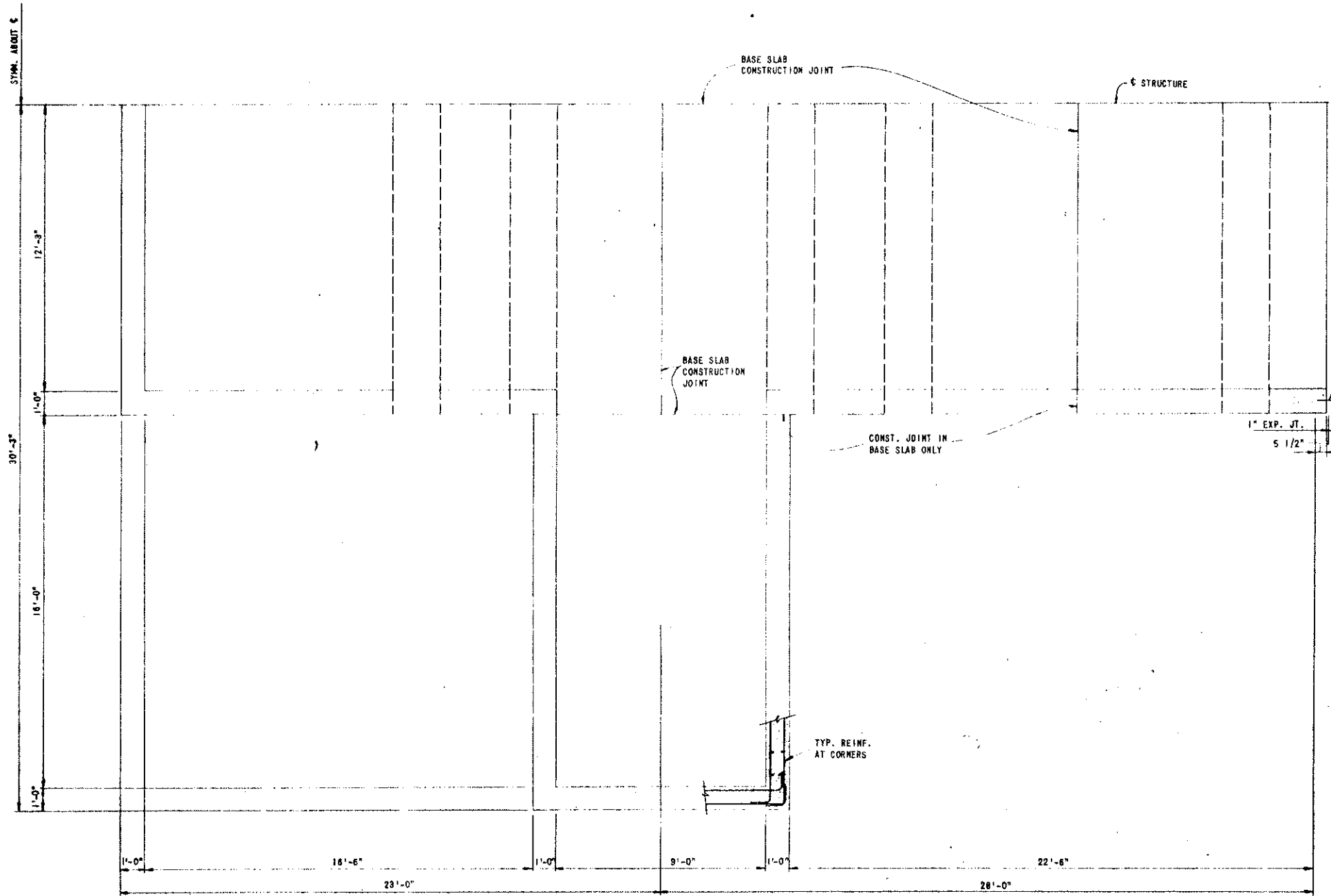
PLAN OF REINF. @ 60" PIPE CONNECTION STRUCTURE
(TOP & BOTTOM FOR ROOF AND FLOOR SLABS)



PLAN OF REINF. @ 78" x 36"
PIPE CONNECTION STRUCTURE
(TOP & BOTTOM FOR ROOF AND FLOOR SLABS)

NOTE: ALL DETAILS THIS SHEET NOT TO SCALE

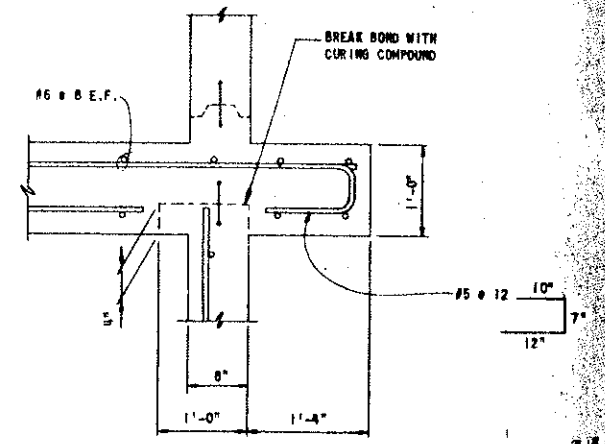
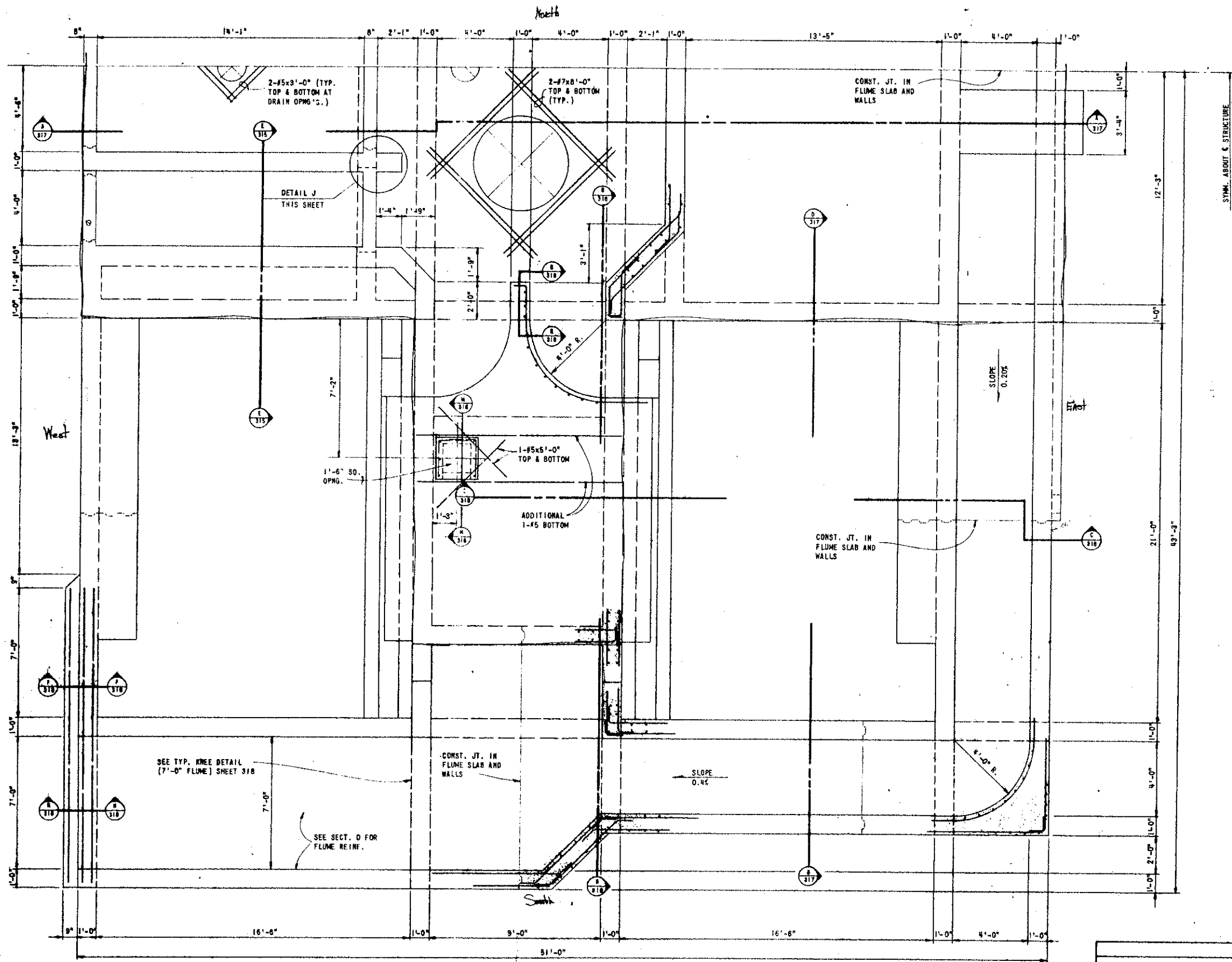
WICHITA, KANSAS PLANT NO. 1 PUMPING STATION INLET TUNNEL AND OVERFLOW STRUCTURE SECTIONS STRUCTURAL		DESIGN RJS	DRAWN WFR	DATE FEB 1978
				FILE NO. 95-1111
REVISION		DATE	BY	SHEET NO. 3 OF 3



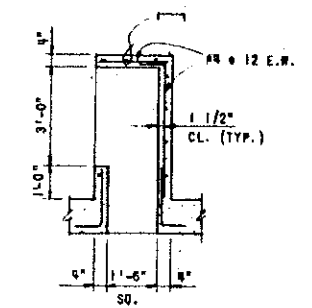
- GRIT BASIN NOTES:**
- DO NOT REMOVE FORMS FOR FLOORS UNTIL ALL WALLS HAVE REACHED DESIGN STRENGTH.
 - WATERSTOPS SHALL BE 6x3/8" PVC UNLESS OTHERWISE NOTED.
 - CONSTRUCTION JOINT AS SHOWN ON PLANS AND DETAILS.
 - FILL GRIT BASIN FACILITY TO CAPACITY BEFORE BACKFILLING. FILL SEPARATE BASINS SIMULTANEOUSLY AND MAINTAIN WATER LEVEL AT CAPACITY FOR 7 DAYS.

FLOOR PLAN OF BASE SLAB
3/8" = 1'-0"

WICHITA, KANSAS PLANT NO. 3 PUMPING STATION GRIT BASIN FACILITY DETAILS STRUCTURAL		
DESIGN KJS	DRAWN WFR	DATE FEB. 1970
FILE NO. 75-391A	SHEET NO. 819	OF 819
REVISION	DATE	BY



DETAIL J
1" = 1'-0"

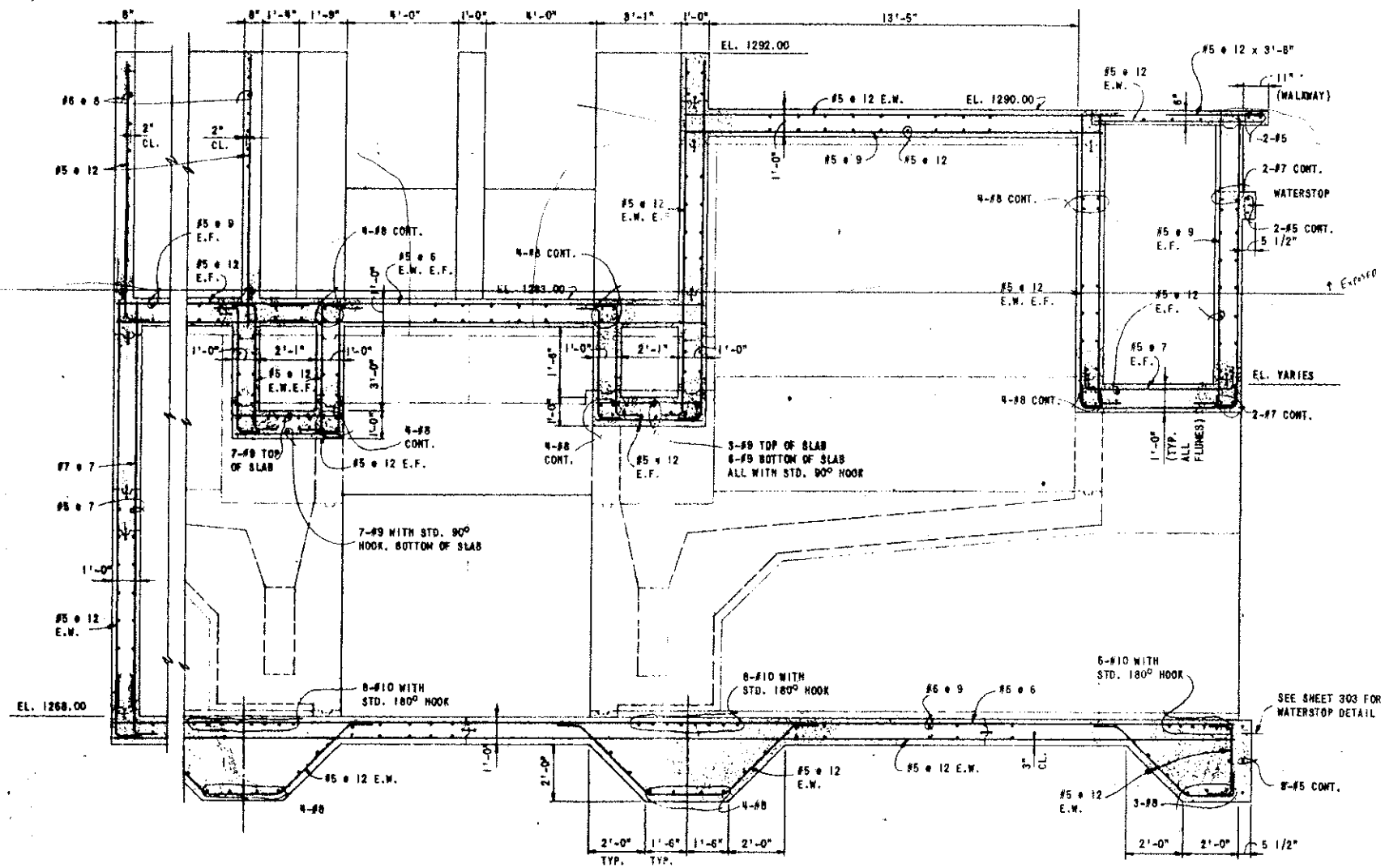


SECTION M
3/8" = 1'-0"

PLAN
3/8" = 1'-0"

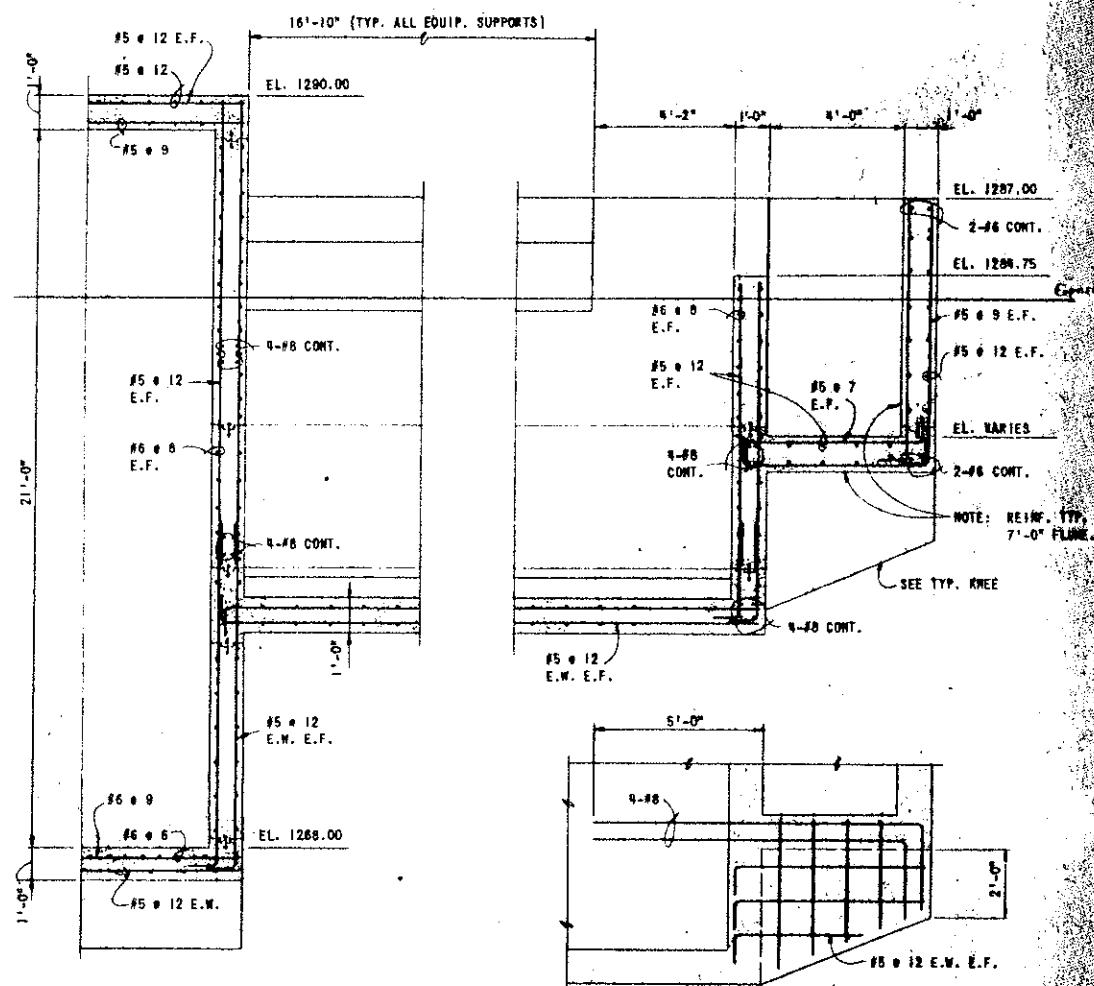
WICHITA, KANSAS
PLANT NO. 1 PUMPING STATION
GRIT BASIN FACILITY DETAILS
STRUCTURAL

DESIGN KJS	DRAWN WFR	DATE FEB 1978
		FILE NO. 78-107A
		SHEET NO. 318
REVISION	DATE	BY



SECTION A
NOT TO SCALE

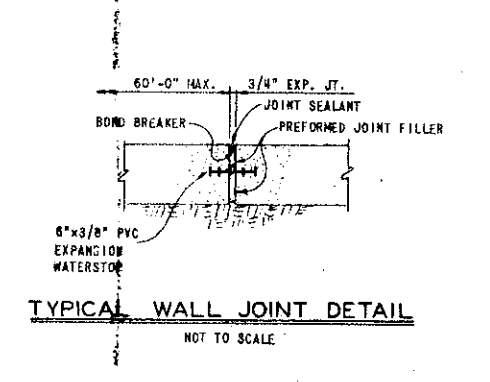
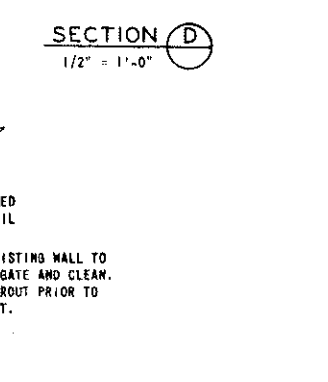
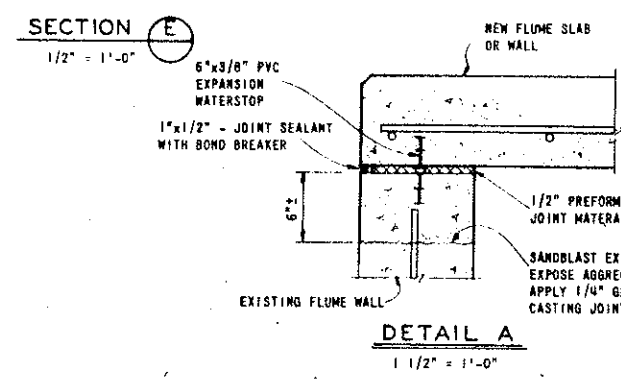
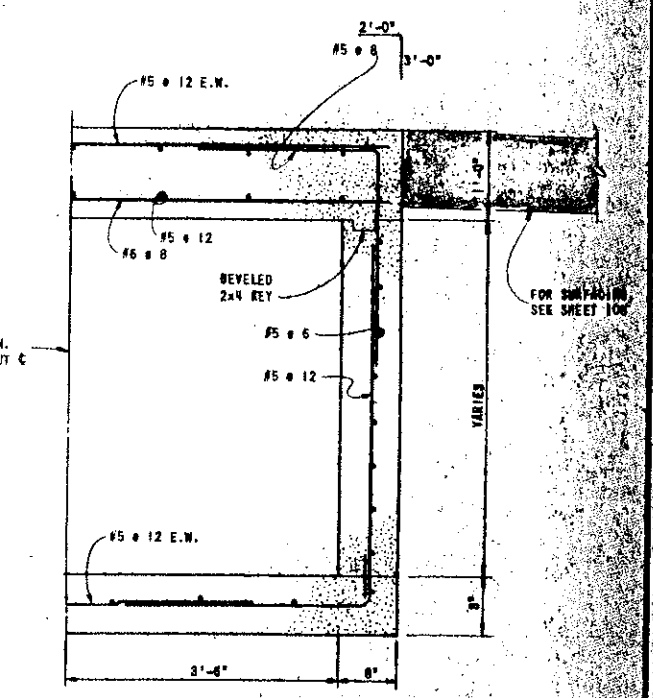
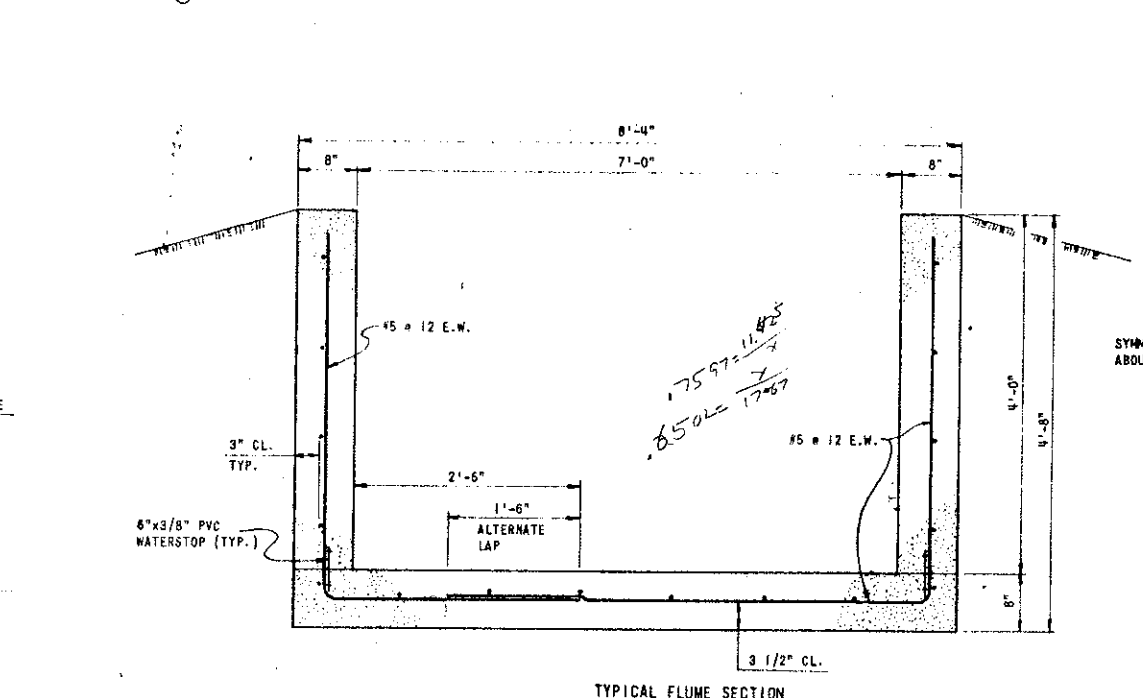
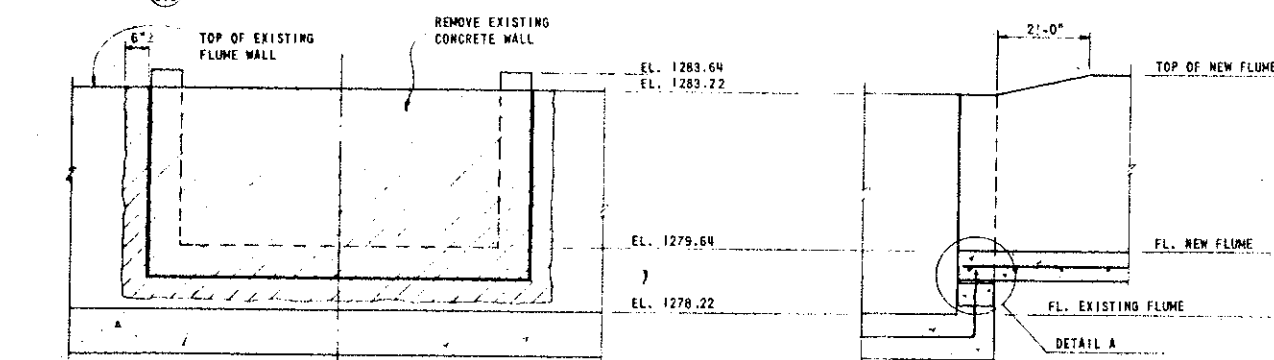
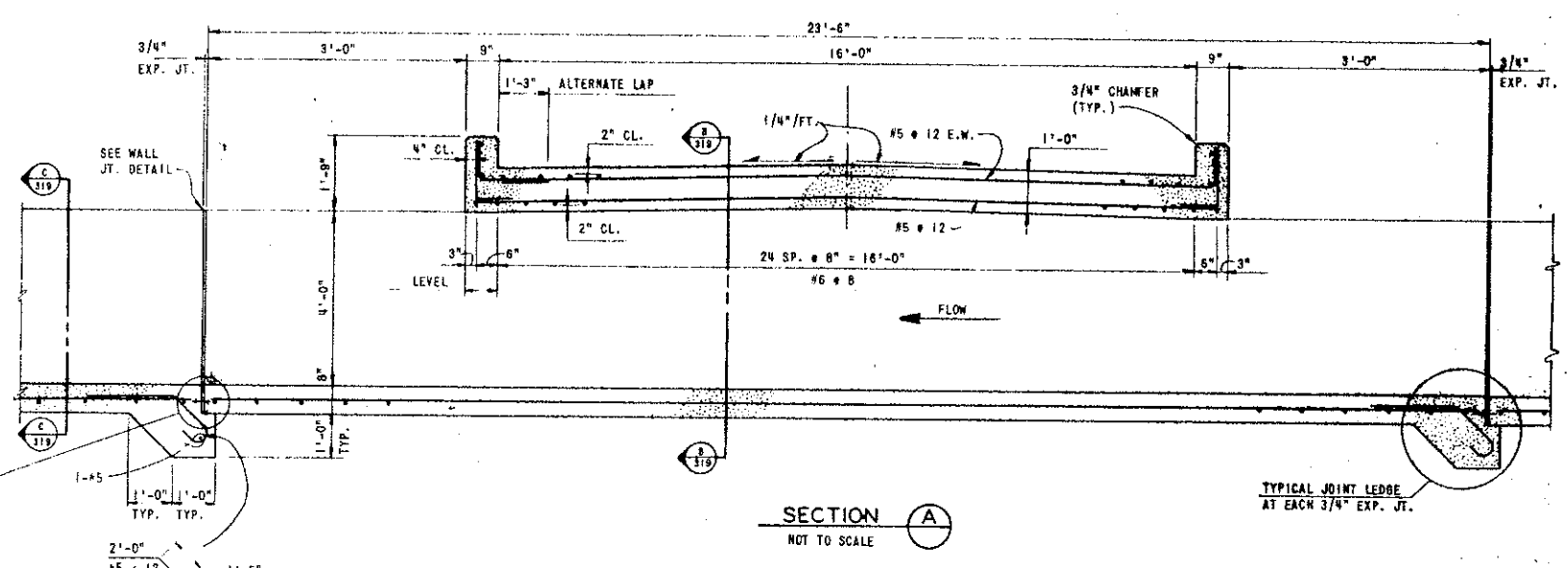
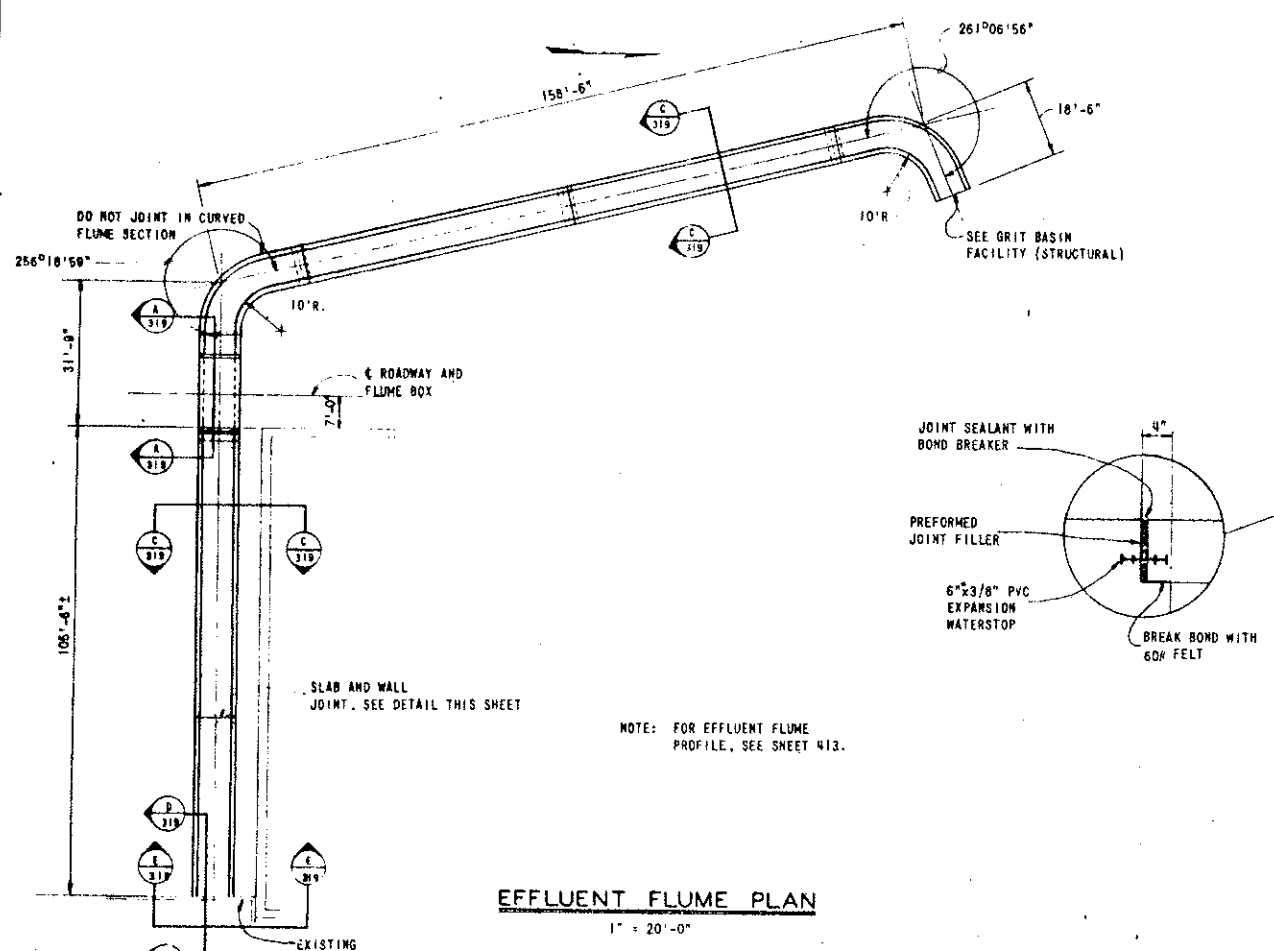
NOTE:
ALL MATERIAL BENEATH THE GRIT BASIN FACILITY SHALL BE REMOVED TO ELEVATION 1256.0 THE AREA OF OVEREXCAVATION SHALL EXTEND TO THE PUMPING STATION FOUNDATION ON THE EAST AND TO A DISTANCE OF 14 FEET BEYOND THE EXTERIOR WALLS OF THE GRIT BASINS TO THE NORTH, WEST, AND SOUTH. THE OVEREXCAVATED AREA SHALL BE BACKFILLED WITH CLEAN COARSE SAND HAVING A FINENESS MODULUS NOT LESS THAN 2.7 AND CONTAINING NOT MORE THAN 3% BY WEIGHT OF PARTICLES PASSING THE NO. 200 SIEVE. SAND SHALL BE PLACED AND COMPACTED TO A MINIMUM DENSITY OF 95% OF MAXIMUM AS DETERMINED BY ASTM D-2049. GRIT BASIN FACILITY FOUNDATION SHALL BE PLACED ON THE COMPACTED SAND.



SECTION D
8/8" = 1'-0"

TYPICAL KNEE DETAIL (4'-0" FLUME)

RICHITA, KANSAS PLANT NO. 1 PUMPING STATION GRIT BASIN FACILITY DETAILS STRUCTURAL		
DESIGN KJS	DRAWN WFR	DATE: FEB. 1979
		FILE NO. 79-101A
		SHEET NO. 517
REVISION	DATE	BY



NOTE: FOR EFFLUENT FLUME PROFILE, SEE SHEET 413.

SECTION C NOT TO SCALE

SECTION B NOT TO SCALE

DETAIL A 1/2" = 1'-0"

TYPICAL WALL JOINT DETAIL NOT TO SCALE

WICHITA, KANSAS
 PLANT NO. 1 PUMPING STATION
 EFFLUENT FLUME
 STRUCTURAL

DESIGN KJS	DRAWN WFR	DATE FEB 1977
		FILE NO. 75-107
		SHEET NO. 318
REVISION	DATE	BY

NOTE:
PIPE FILLER PIECES FROM INLET TUNNEL TO EXISTING INTERCEPTORS TO BE INSTALLED WITH STEEL WATERSTOP RING JOINTED TO SPIGOT. FILLER PIECE WITH WATERSTOP TO BE JOINTED TO EXISTING PIPE, THEN CAST IN INLET TUNNEL WALL.

78" FILLER PIECE FACTORY ORDERED TO REQ'D. LENGTH, STEEL SPIGOT X BELL END. SEE TYPICAL PIPE CONNECTION DETAIL, SHEET NO. 417

NEW 36" INTERCEPTOR, SEE TYPICAL PIPE CONNECTION DETAIL, SHEET NO. 417

EXISTING 78" INTERCEPTOR PIPE JOINT TO BE FIELD LOCATED

FL. IN OF NEW PIPE TO MATCH FL. OF REMOVED EXISTING INTERCEPTOR

EXISTING 60" INTERCEPTOR PIPE JOINT TO BE FIELD LOCATED

60" FILLER PIECE FACTORY ORDERED TO REQ'D. LENGTH, STEEL SPIGOT X BELL END, SEE TYPICAL PIPE CONNECTION DETAIL, SHEET NO. 417

FL. IN OF NEW PIPE TO MATCH FL. OF REMOVED EXISTING INTERCEPTOR

LOCATION OF ELEVATIONAL CHANGE IN TOP SLAB

EXISTING INTERCEPTOR TO BE REMOVED

FL. IN 1265.02

PLASTIC LINER

PLASTIC LINER

EXISTING INTERCEPTOR TO BE REMOVED

NEW 48" INTERCEPTOR, SEE TYPICAL PIPE CONNECTION DETAIL, SHEET NO. 417

EXISTING 60" INTERCEPTOR PIPE JOINT TO BE FIELD LOCATED

GROUT FILL

OVERFLOW STRUCTURE, SEE DETAIL, THIS SHEET

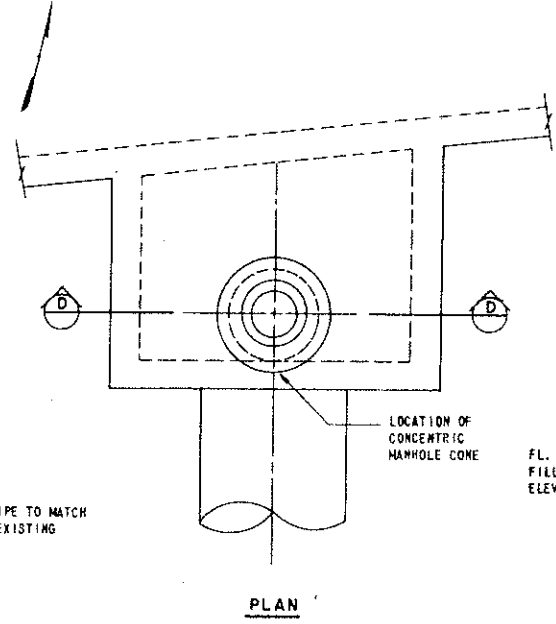
PLUG WITH CONCRETE (2'-0" MINIMUM)

78" FILLER PIECE FACTORY ORDERED TO REQ'D. LENGTH PE X STEEL SPIGOT, SEE TYPICAL PIPE CONNECTION DETAIL, SHEET NO. 417

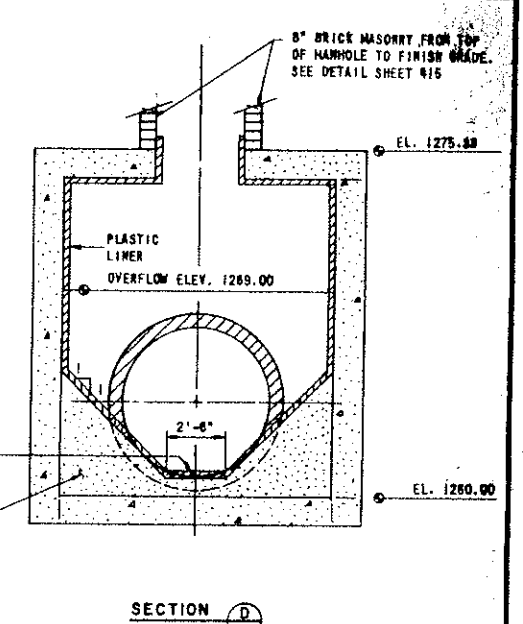
FL. OUT OF NEW PIPE TO MATCH FL. OF REMOVED EXISTING INTERCEPTOR

EXISTING 78" INTERCEPTOR PIPE JOINT TO BE FIELD LOCATED

PLAN

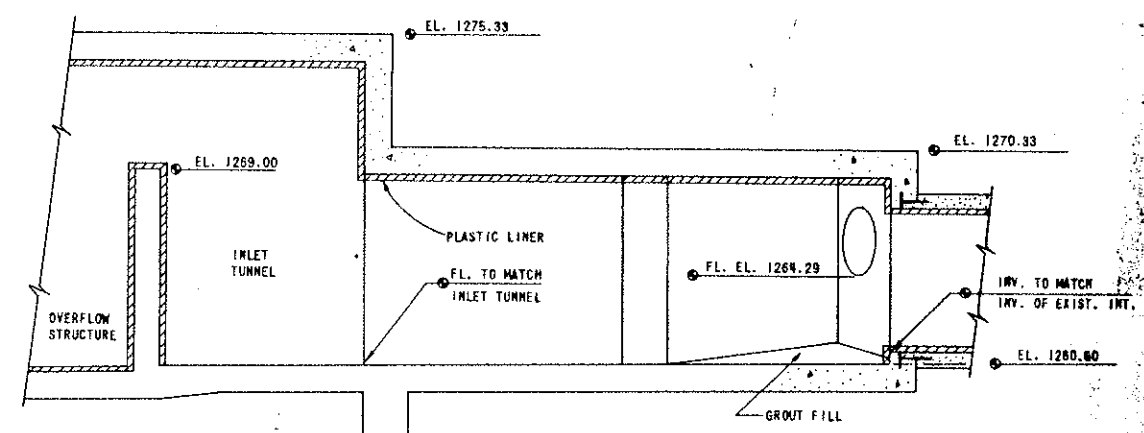


PLAN



SECTION D

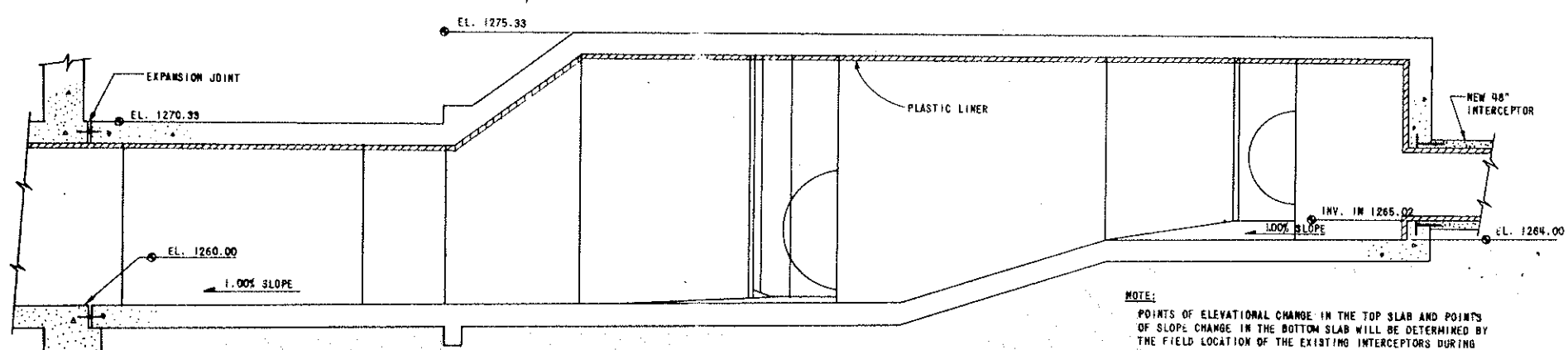
OVERFLOW STRUCTURE
1/4" = 1'-0"



SECTION B

NOTES:

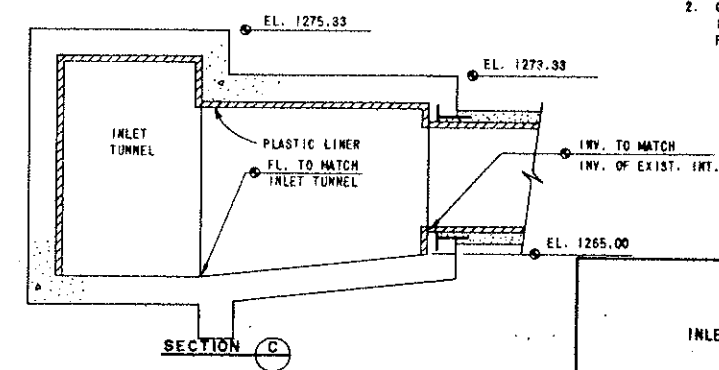
1. INLET TUNNEL TO HAVE PLASTIC LINER CAST INTO PLACE ON ALL INTERIOR SURFACES EXCLUDING FLOOR.
2. OVERFLOW STRUCTURE TO HAVE PLASTIC LINER CAST INTO PLACE ON ALL INTERIOR SURFACES INCLUDING FLOOR.



SECTION A

INLET TUNNEL
1/4" = 1'-0"

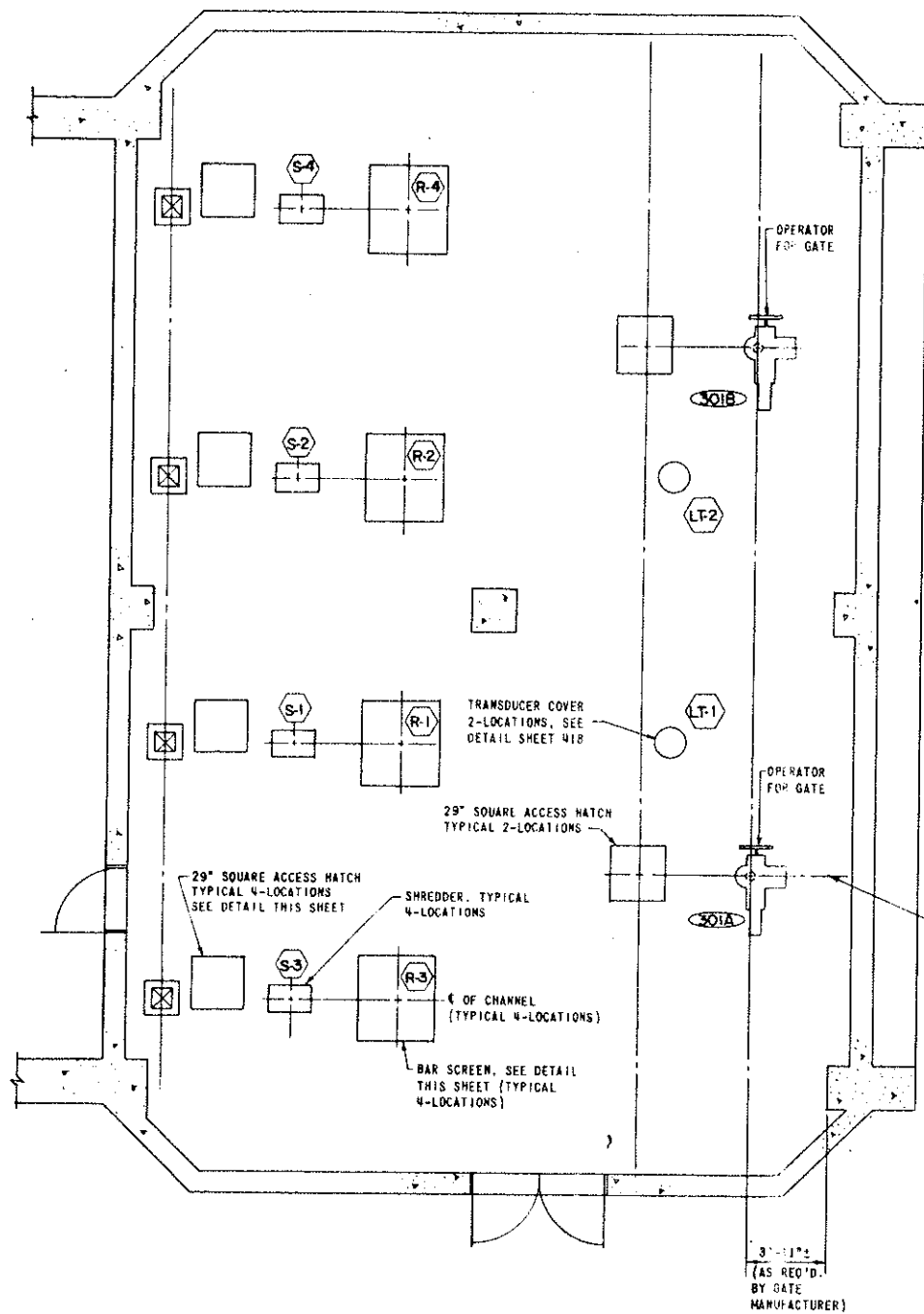
NOTE:
POINTS OF ELEVATIONAL CHANGE IN THE TOP SLAB AND POINTS OF SLOPE CHANGE IN THE BOTTOM SLAB WILL BE DETERMINED BY THE FIELD LOCATION OF THE EXISTING INTERCEPTORS DURING CONSTRUCTION. RELATIONSHIPS OF THESE POINTS AND EXISTING INTERCEPTORS ARE SHOWN ON THE PLAN VIEW.



SECTION C

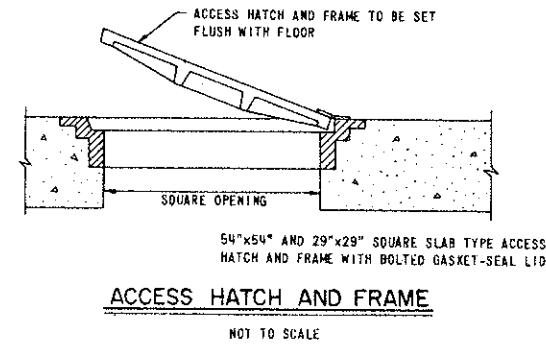
WICHITA, KANSAS
PLANT NO. 1 PUMPING STATION
INLET TUNNEL AND OVERFLOW STRUCTURE
ENVIRONMENTAL

DESIGN JBB	DRAWN AAD	DATE: FEB. 1978
		FILE NO. 75-781A
		SHEET NO. 401 OF 421
REVISION	DATE	BY



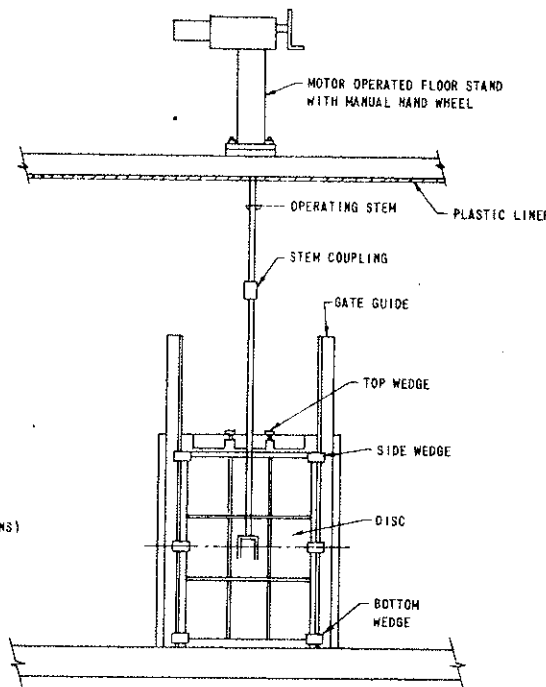
HEADWORKS STRUCTURE - OPERATIONS LEVEL

1/4" = 1'-0"



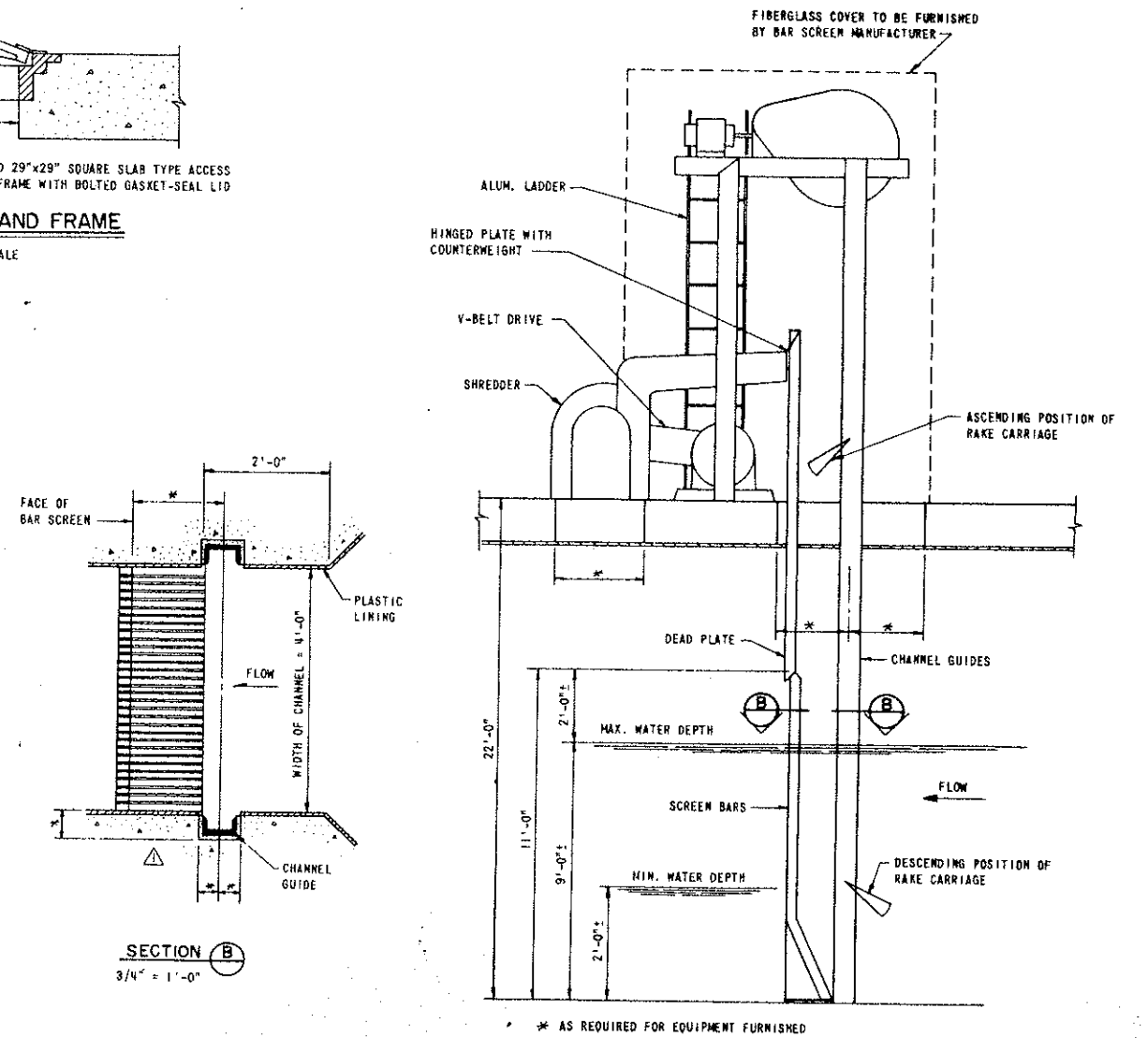
ACCESS HATCH AND FRAME

NOT TO SCALE



SLUICE GATE DETAIL

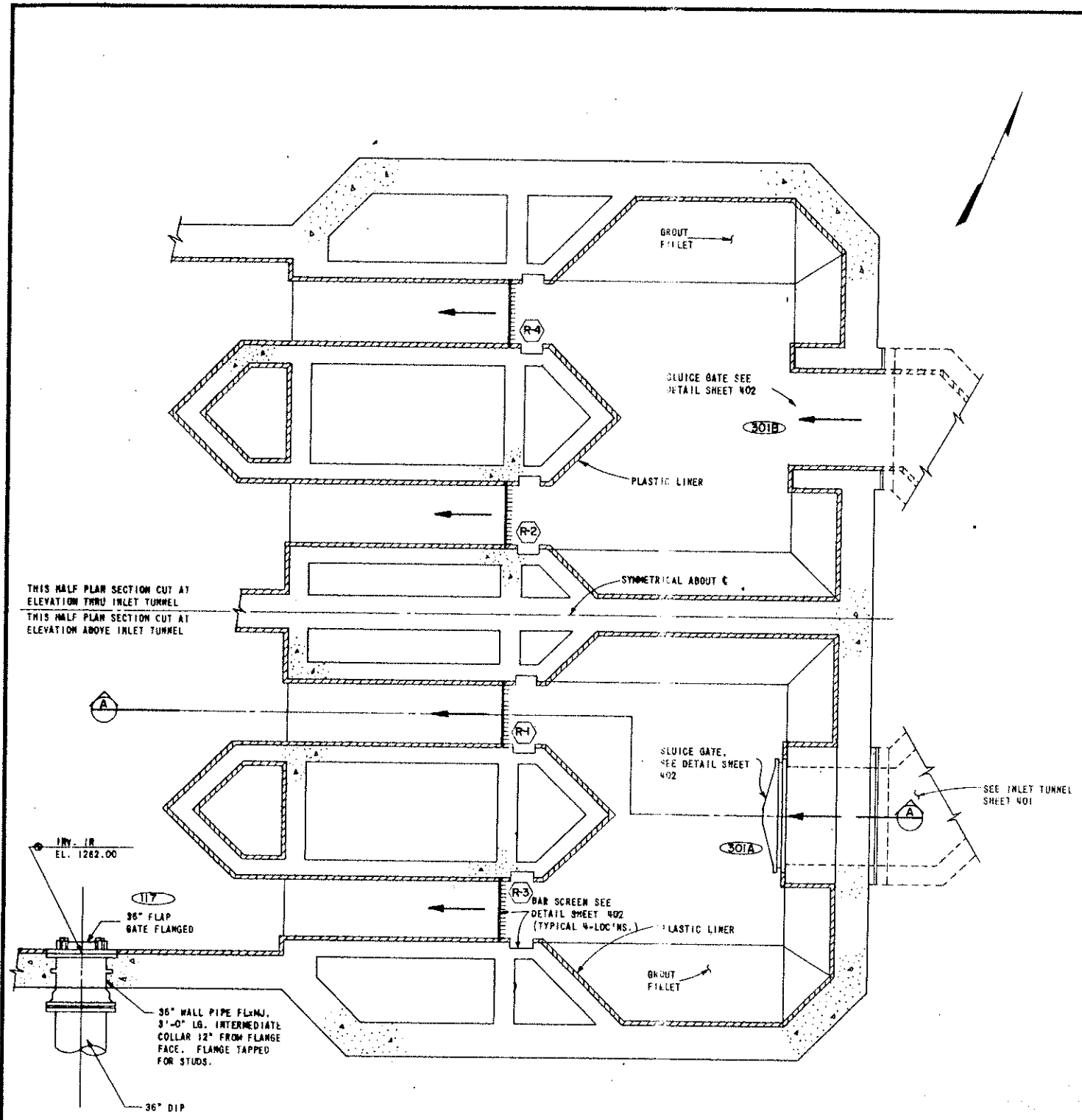
1/4" = 1'-0"
(2-REQUIRED)



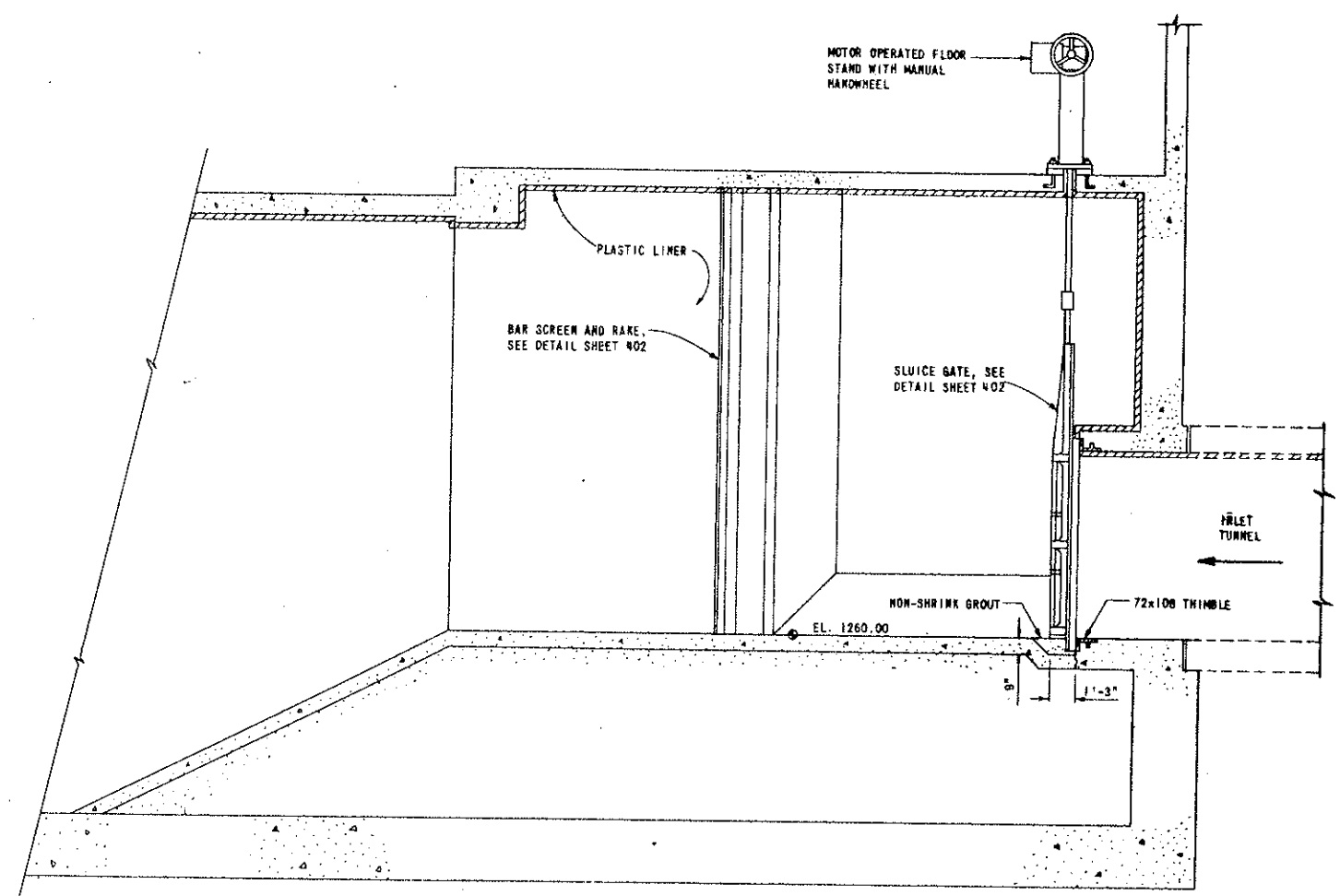
MECHANICAL BAR SCREEN

NOT TO SCALE

WICHITA, KANSAS PLANT NO. 1 PUMPING STATION HEADWORKS STRUCTURE - OPERATIONS LEVEL ENVIRONMENTAL			DESIGNOR JGG	DRAWN RAL	DATE: FEB. 1978
REVISION DATE BY			APR. 78 JGG		FILE NO. 75-101A SHEET NO. 402 OF 421



HEADWORKS STRUCTURE - PUMP LEVEL
1/4" = 1'-0"



SECTION A
1/4" = 1'-0"

WET WELL
FLOW METER TRANSDUCERS

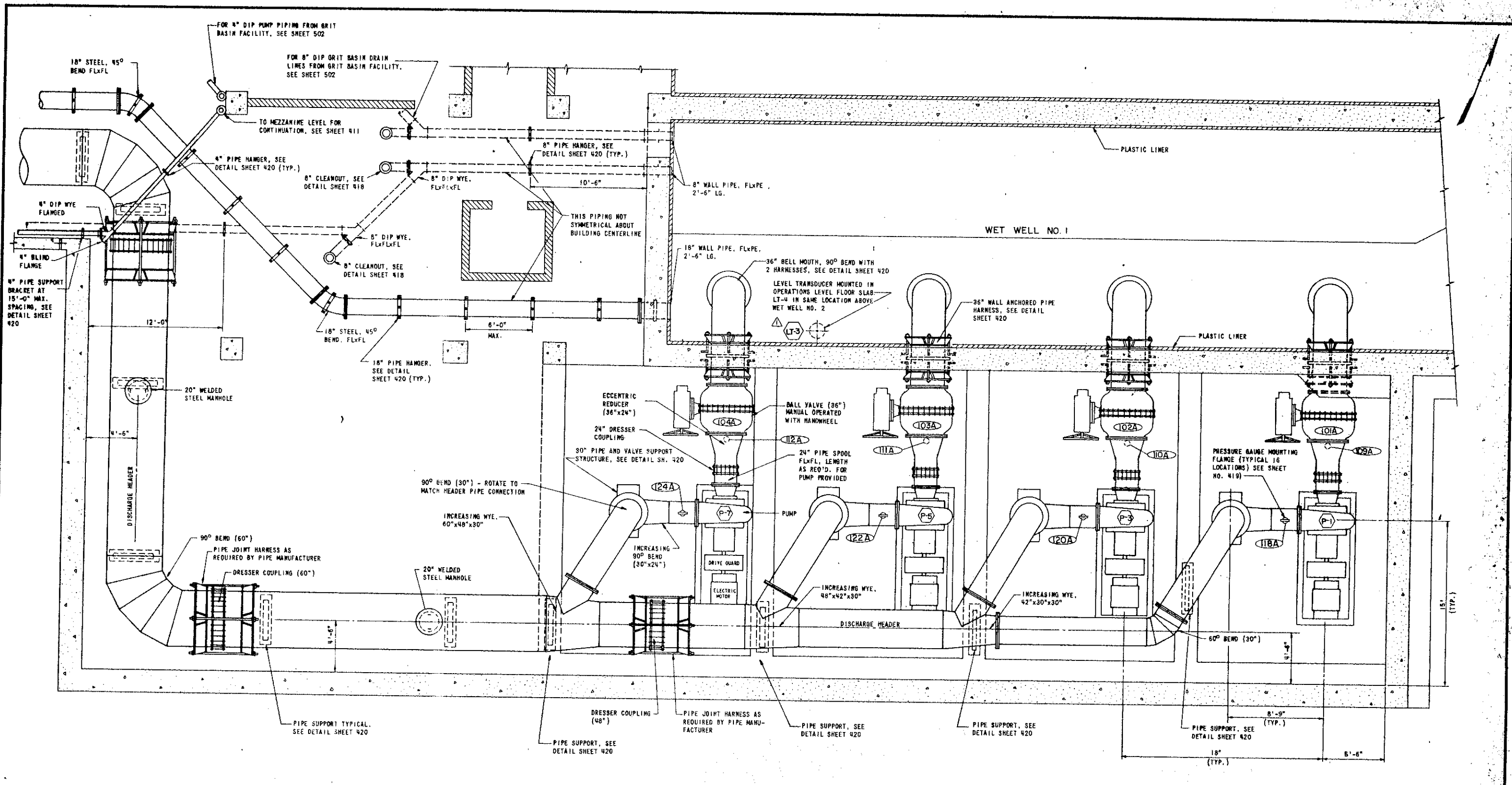
* HEADWORKS MASS HOLE
22" DIA. LONG
- WATER LEVEL IS AT
TOP AND
- 10" DIA. HOLE
- 10" DIA. HOLE
- 10" DIA. HOLE

* CONVERT FEET TO INCHES
THAN FOR TOTAL WETWELL
DIVIDE BY 10 BECAUSE L.E.D. GOES IN 10'S
WHICH INCHES GO IN 12'S

- NOTES:
1. HEADWORKS STRUCTURE TO HAVE PLASTIC LINER CAST INTO PLACE ON ALL INTERIOR SURFACES, EXCLUDING FLOOR.
 2. CONCRETE VOIDS USED AS AIR DUCTS TO HAVE PLASTIC LINER ALL SURFACES.

WICHITA, KANSAS
PLANT NO. 1 PUMPING STATION
HEADWORKS STRUCTURE - PUMP LEVEL
ENVIRONMENTAL

DESIGN JGG	DRAWN AAO	DATE: FEB. 1978
		FILE NO. 75-181A
		SHEET NO. 402 OF 421
REVISION	DATE	BY



- NOTES:
1. PUMP PIT NUMBER 2 SAME AS NUMBER 1, SYMMETRICAL ABOUT BUILDING CENTERLINE.
 2. ALL PROCESS PIPING 18" AND LARGER SHALL BE STEEL.
 3. PIPE HANGERS AND SUPPORTS TO BE INSTALLED IN GENERAL LOCATIONS SHOWN.

PLAN
 PUMP PIT NUMBER 1
 1/4" = 1'-0"

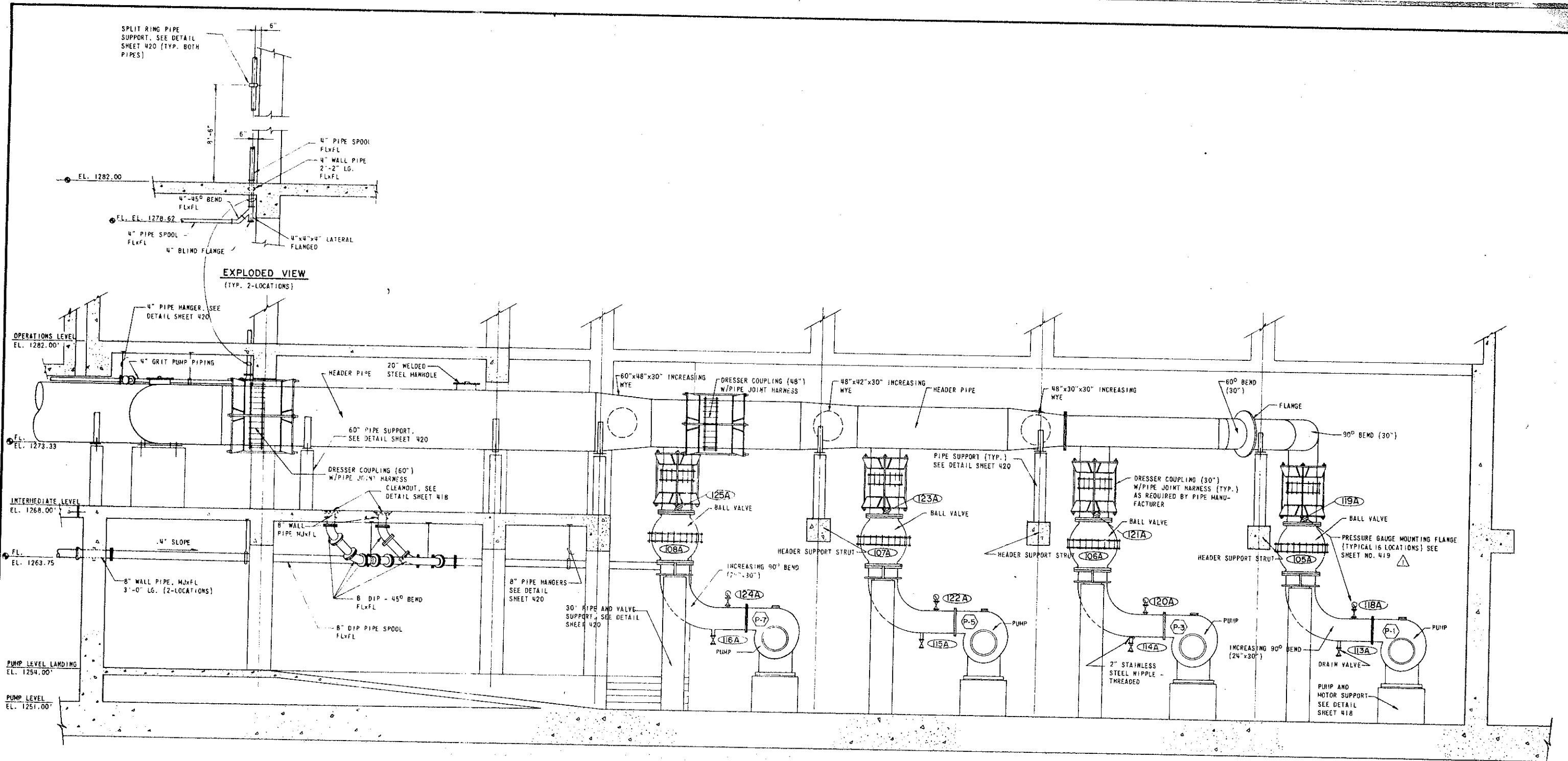
WICHITA, KANSAS
 PLANT NO. 1 PUMPING STATION
 PUMP PIT - PLAN
 ENVIRONMENTAL

DESIGN	JGG	DATE	APR. 78
DRAWN	RLI	BY	JGG

7547
 SHELLY-WILSON
 ENGINEERS-ARCHITECTS-PLANNERS

DATE: FEB. 1978
 FILE NO. 78-117
 SHEET NO. 484
 OF 481

REVISION	DATE	BY
ADDED LEVEL TRANSDUCERS	APR. 78	JGG



ELEVATION
 PUMP PIT NUMBER 1
 1/4" = 1'-0"

NOTE: PUMP PIT NUMBER 2 SAME AS NUMBER 1. SYMMETRICAL ABOUT BUILDING CENTERLINE.

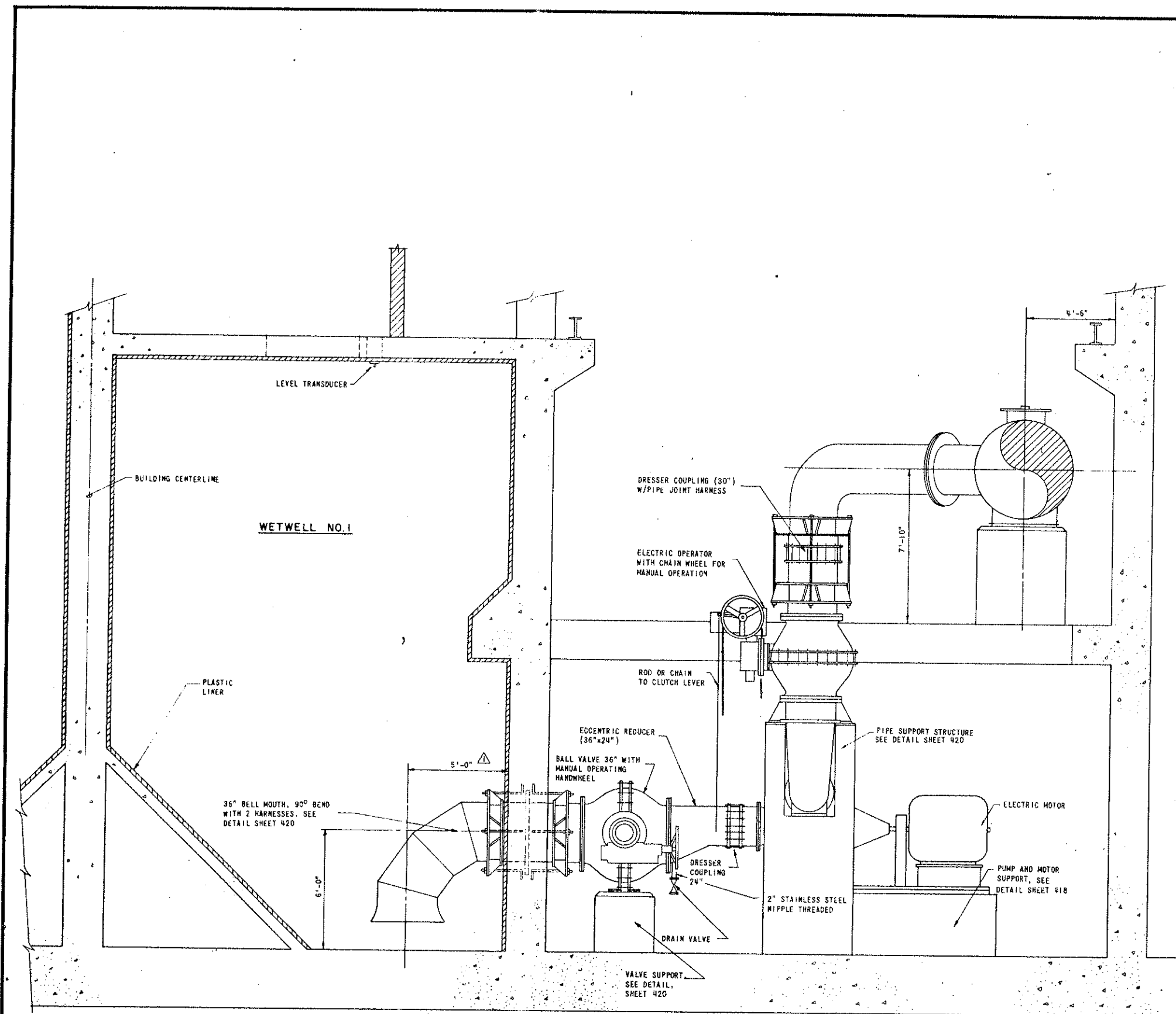
WICHITA, KANSAS
 PLANT NO. 1 PUMPING STATION
 PUMP PIT - ELEVATION
 ENVIRONMENTAL

DESIGN: JGG
 DRAWN: RAL

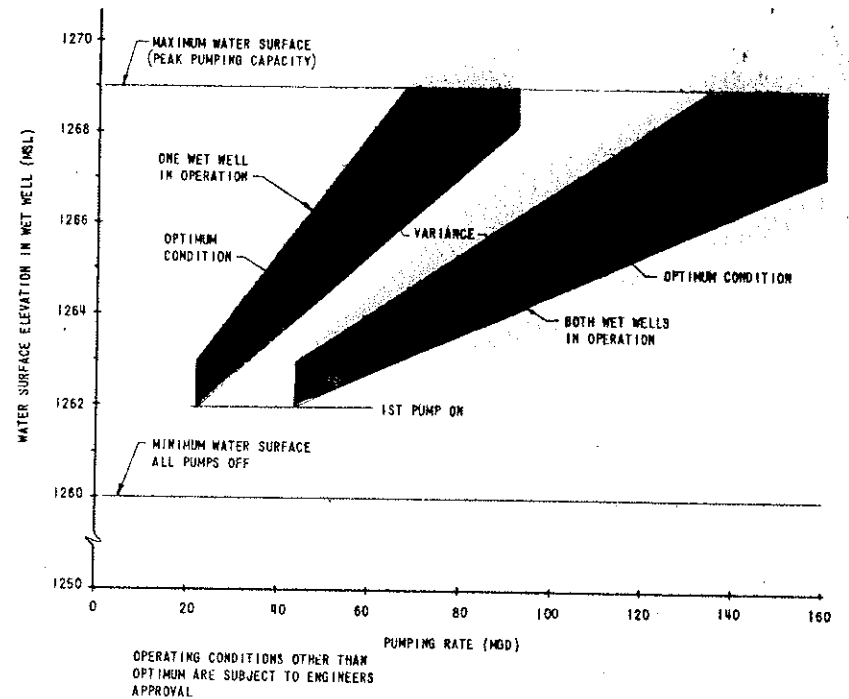
DATE: FEB. 1978
 FILE NO.: 75-181A
 SHEET NO.: 04
 OF 421

SHELLEY-WILSON
 ENGINEERS-ARCHITECTS-PLANNERS
 214 CARROLL ST. WICHITA, KANSAS 67201

REVISION	DATE	BY
ADDED 3" GATE VALVE	APR. 78	JGG



ELEVATION
PUMP PIT AND WETWELL NUMBER 1
 3/8" = 1'-0"



PUMP CONTROL SCHEDULE
PUMPING RATE VS. WETWELL WATER LEVEL

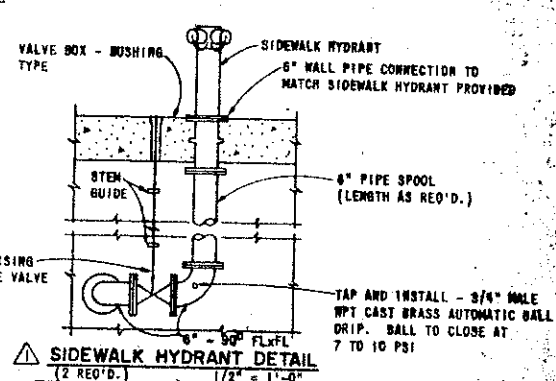
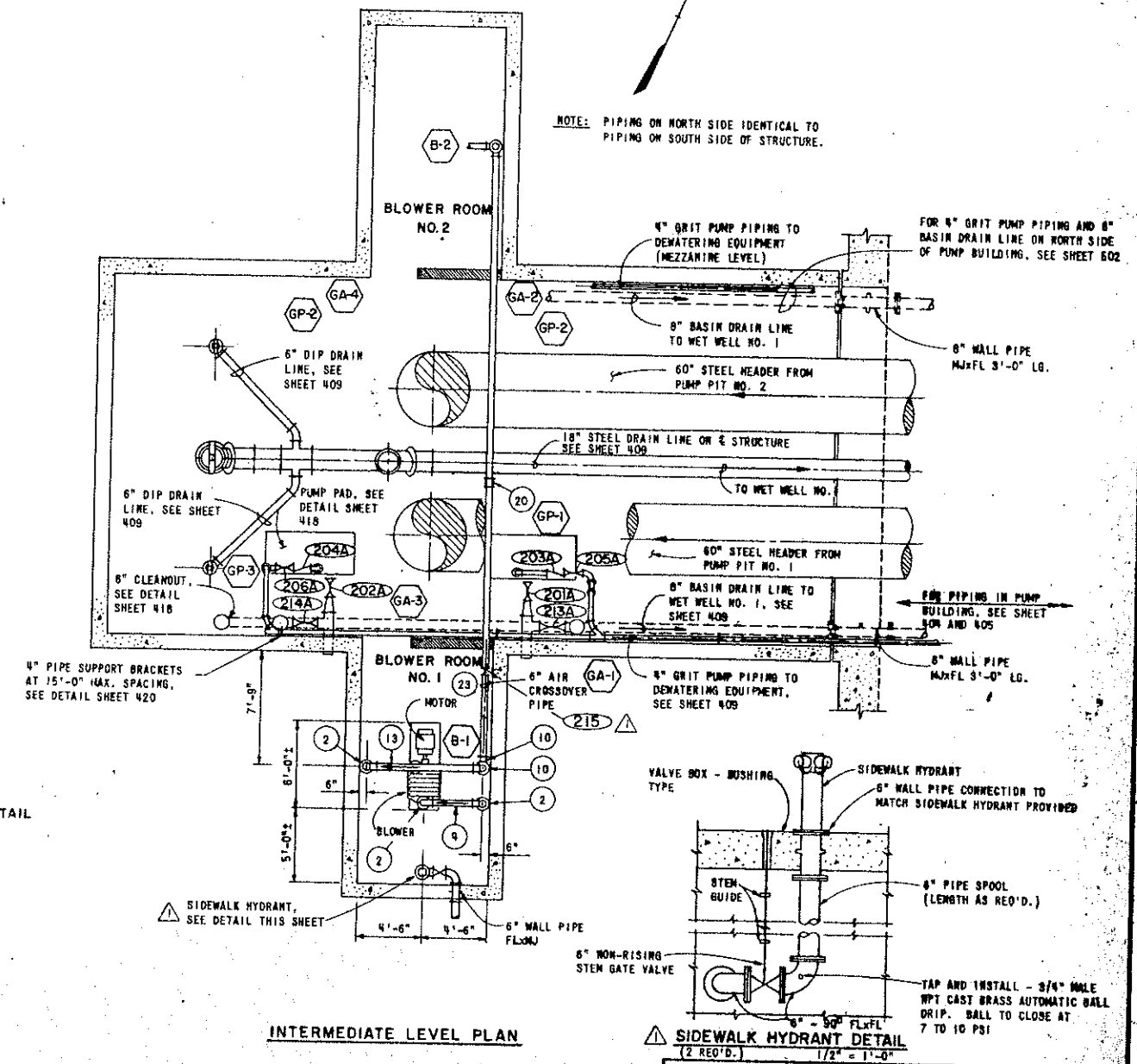
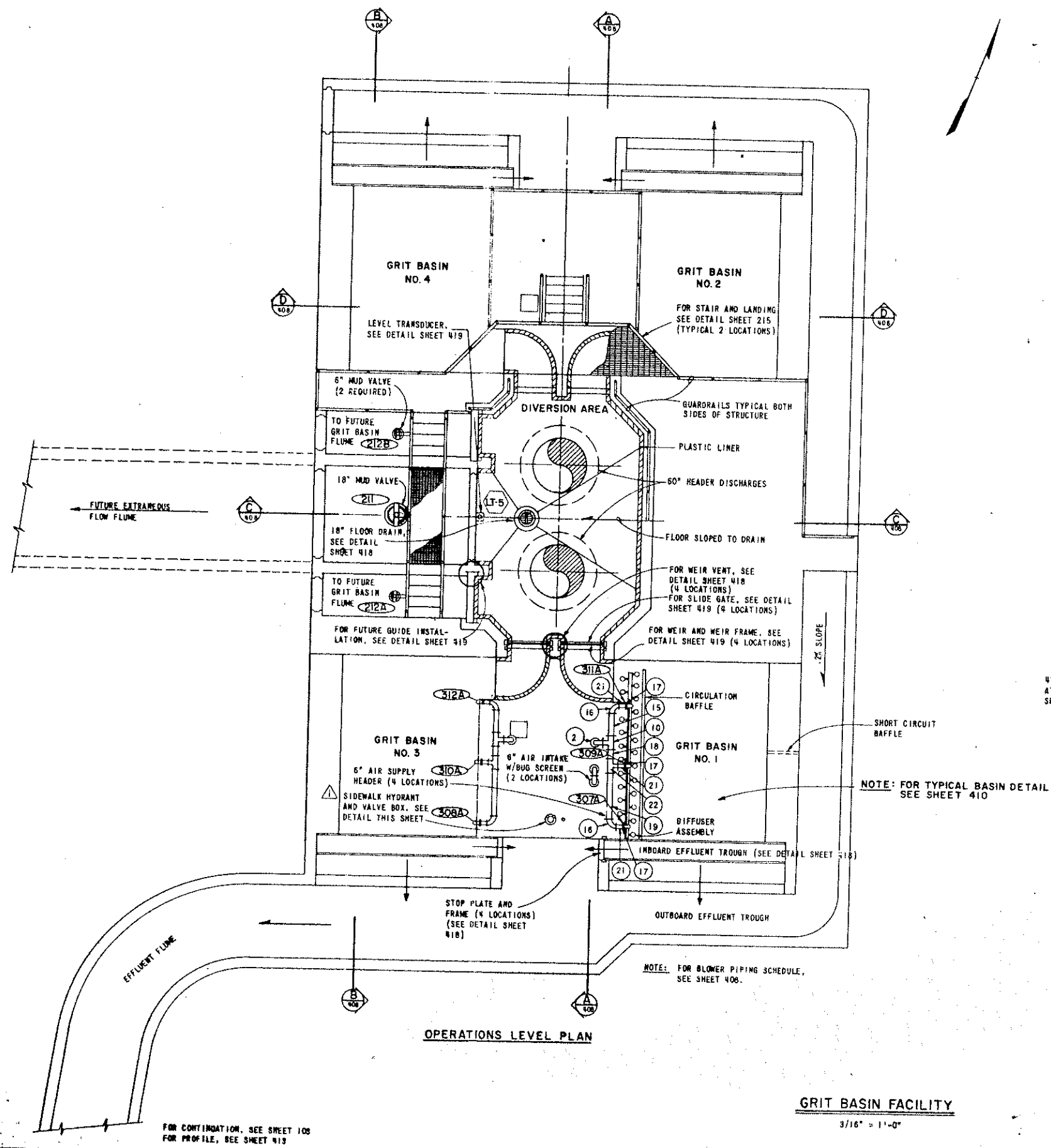
NOTE:
 PUMP PIT NUMBER 2 SAME AS NUMBER 1, SYMMETRICAL ABOUT BUILDING CENTERLINE.

△ DIMENSIONED & OF BELLMOUTH	APR. 78	JGG
DESIGN	JGG	RAL
DRAWN		
REVISION	DATE	BY

WICHITA, KANSAS
 PLANT NO. 1 PUMPING STATION
 PUMP PIT AND WET WELL - ELEVATION
 ENVIRONMENTAL

DESIGN	JGG	DATE:	FEB. 1978
DRAWN	RAL	FILE NO.	75-101A
		SHEET NO. 408	OF 421

SHELLEY-WILSON
 ENGINEERS-ARCHITECTS-PLANNERS
 801 NORTH WASHINGTON, WICHITA, KANSAS 67201



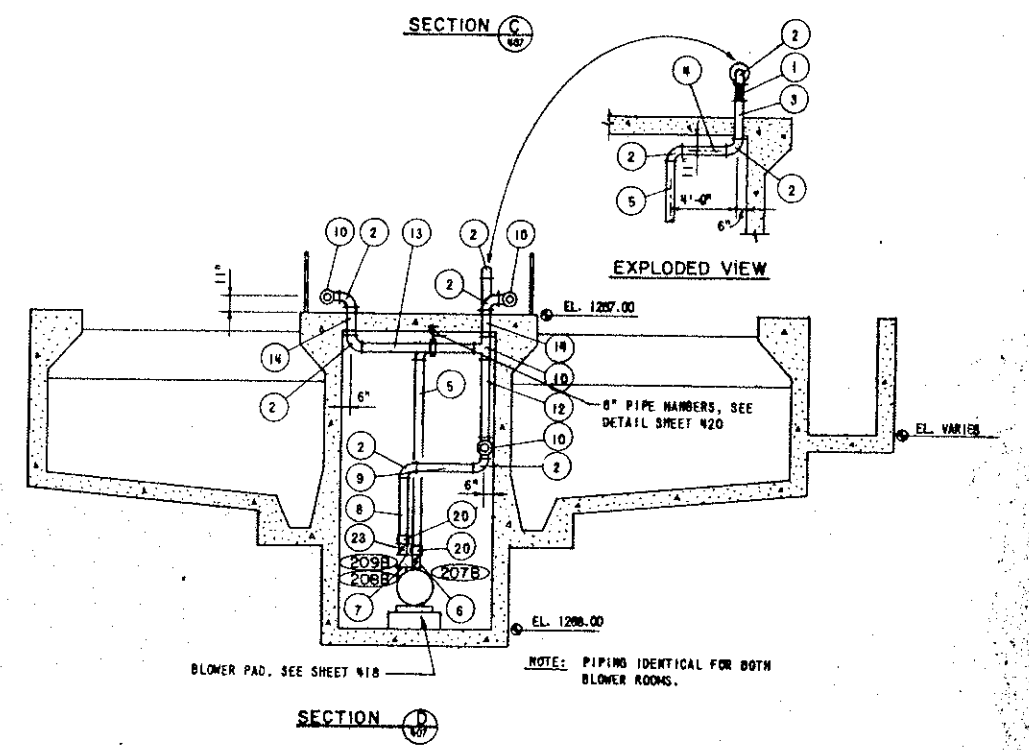
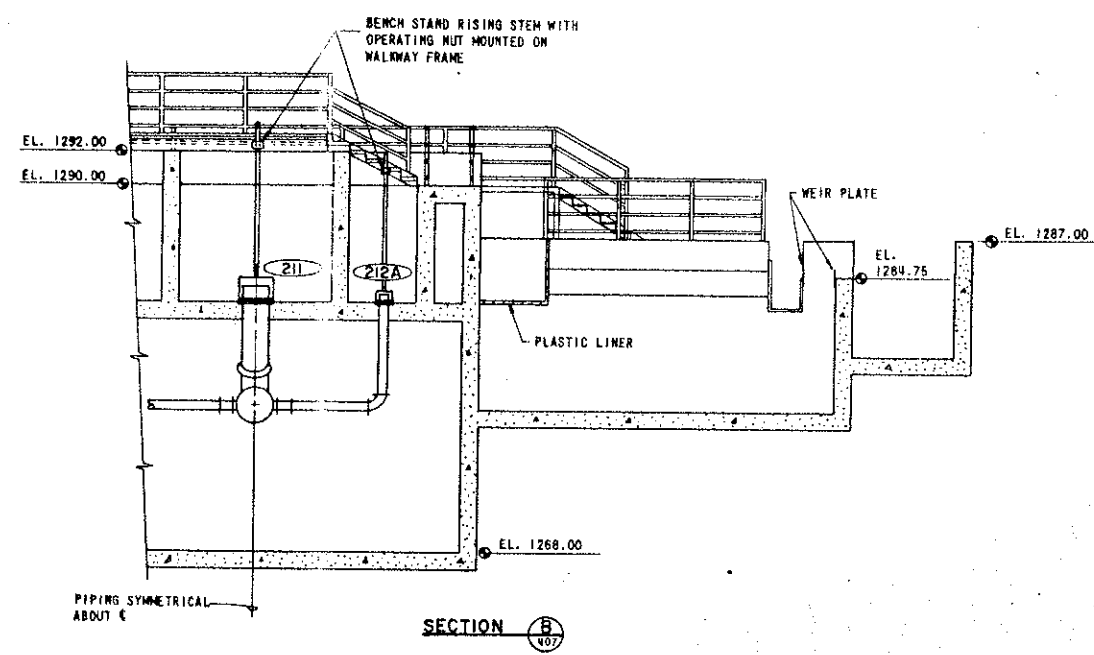
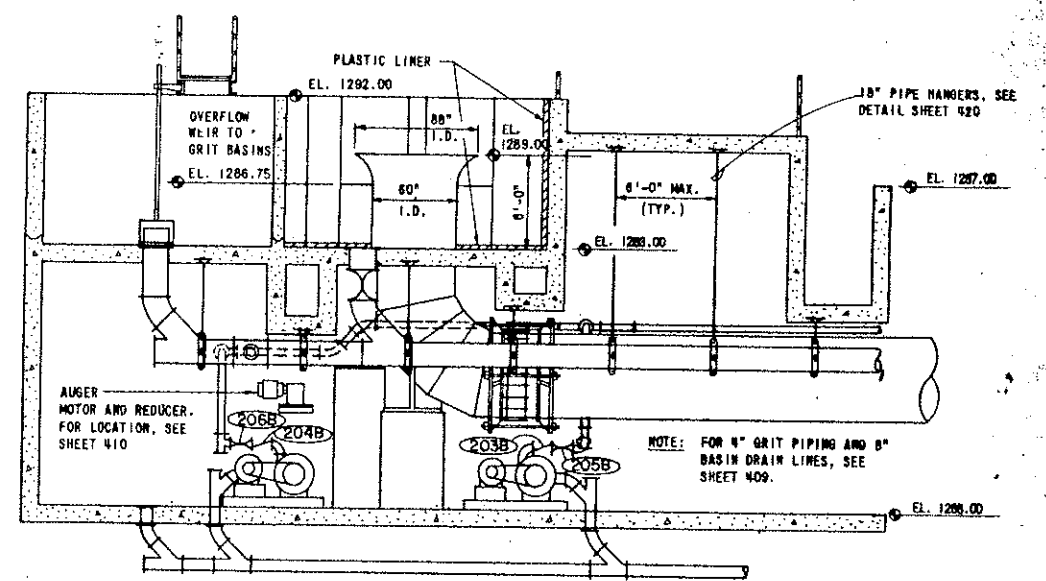
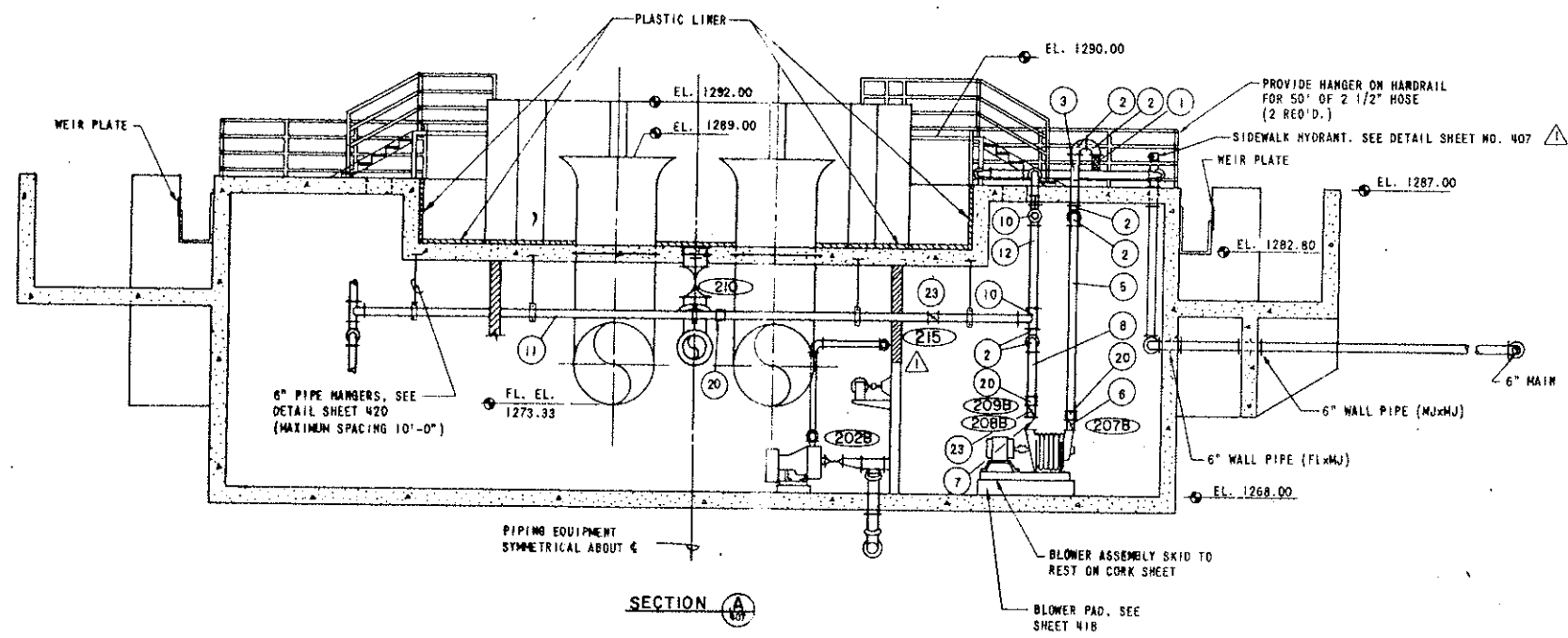
REVISION	DATE	BY	DESIGN	DRAWN	DATE
ADD BUTTERFLY VALVE	APR. 78	JGG	JGG	AAO	
ADD SIDEWALK HYDRANT					

WICHITA, KANSAS
PLANT NO. 1 PUMPING STATION
GRIT BASIN FACILITY - PLAN
ENVIRONMENTAL

DATE: FEB. 1978
FILE NO. 78-1078
SHEET NO. 407

SHELLEY-WILSON
ENGINEERS-ARCHITECTS-PLANNERS

7547



BLOWER PIPING SCHEDULE	
1	8" FLANGED BUG SCREEN
2	6"-90° BEND
3	8" WALL PIPE 2'-11" LG. INTERMEDIATE FLANGE 9" FROM FLANGE FACE
4	8" PIPE SPOOL 2'-0"
5	8" PIPE SPOOL
6	8" BLAST GATE
7	8" CHECK VALVE
8	8" PIPE SPOOL *
9	8" PIPE SPOOL *
10	8"x8"x8" TEE
11	8" PIPE SPOOL 4'-8"
12	8" PIPE SPOOL 8'-9" LG.
13	8" PIPE SPOOL 6'-8" LG.
14	8" WALL PIPE 1'-8" LG.
15	8" PIPE SPOOL 2'-2" LG.
16	8"x2 1/2" REDUCING 90° BEND
17	2 1/2" PLUG VALVE
18	8" PIPE SPOOL 11" LG.
19	8" PIPE SPOOL 4'-5" LG.
20	8" EXPANSION JOINT
21	2 1/2" PIPE SPOOL 6 1/2" LG.
22	8"x8"x2 1/2" TEE
23	8" BUTTERFLY VALVE

NOTE:
* LENGTH AS REQUIRED. BASED ON BLOWER SUPPLIED
ALL PIPING FLANGED UNLESS OTHERWISE NOTED

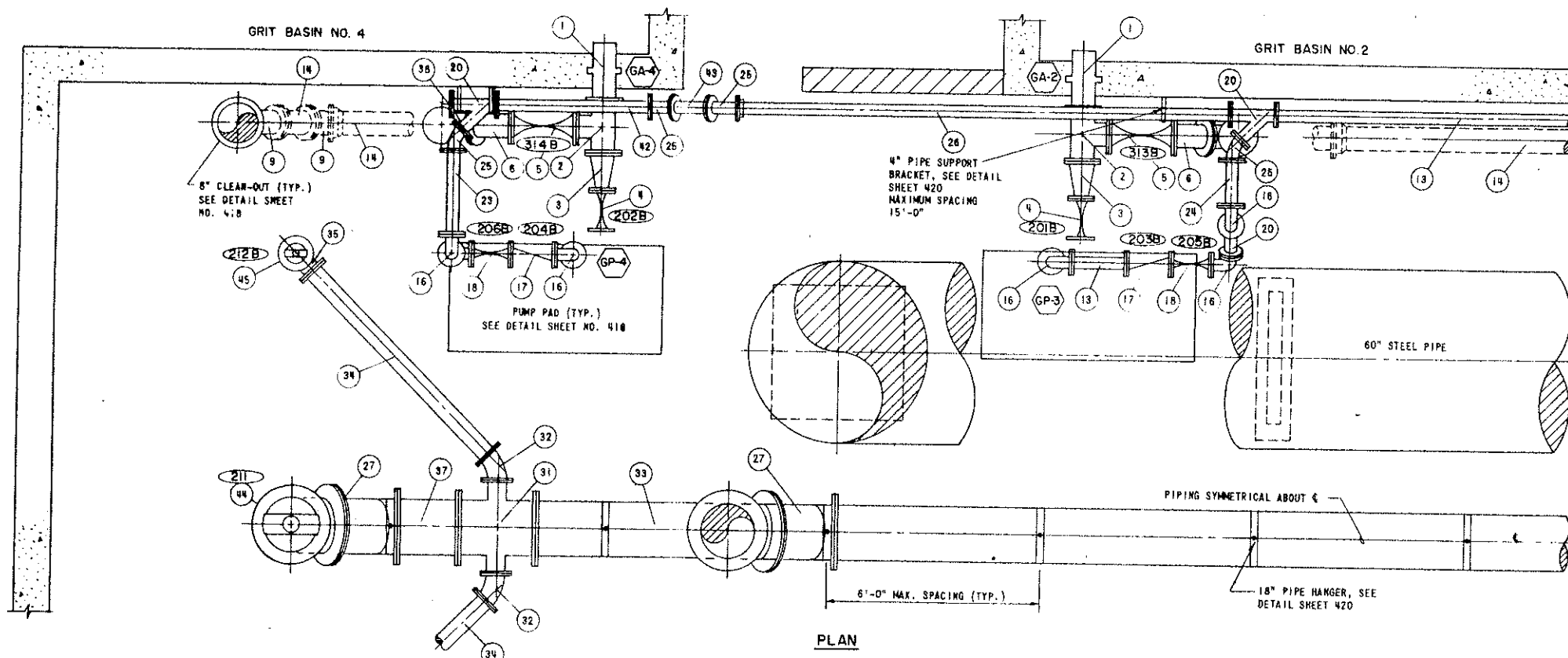
NOTE: FOR PIPE HANGER DETAILS, SEE SHEET 420.

GRIT BASIN FACILITY - SECTIONS
3/16" = 1'-0"

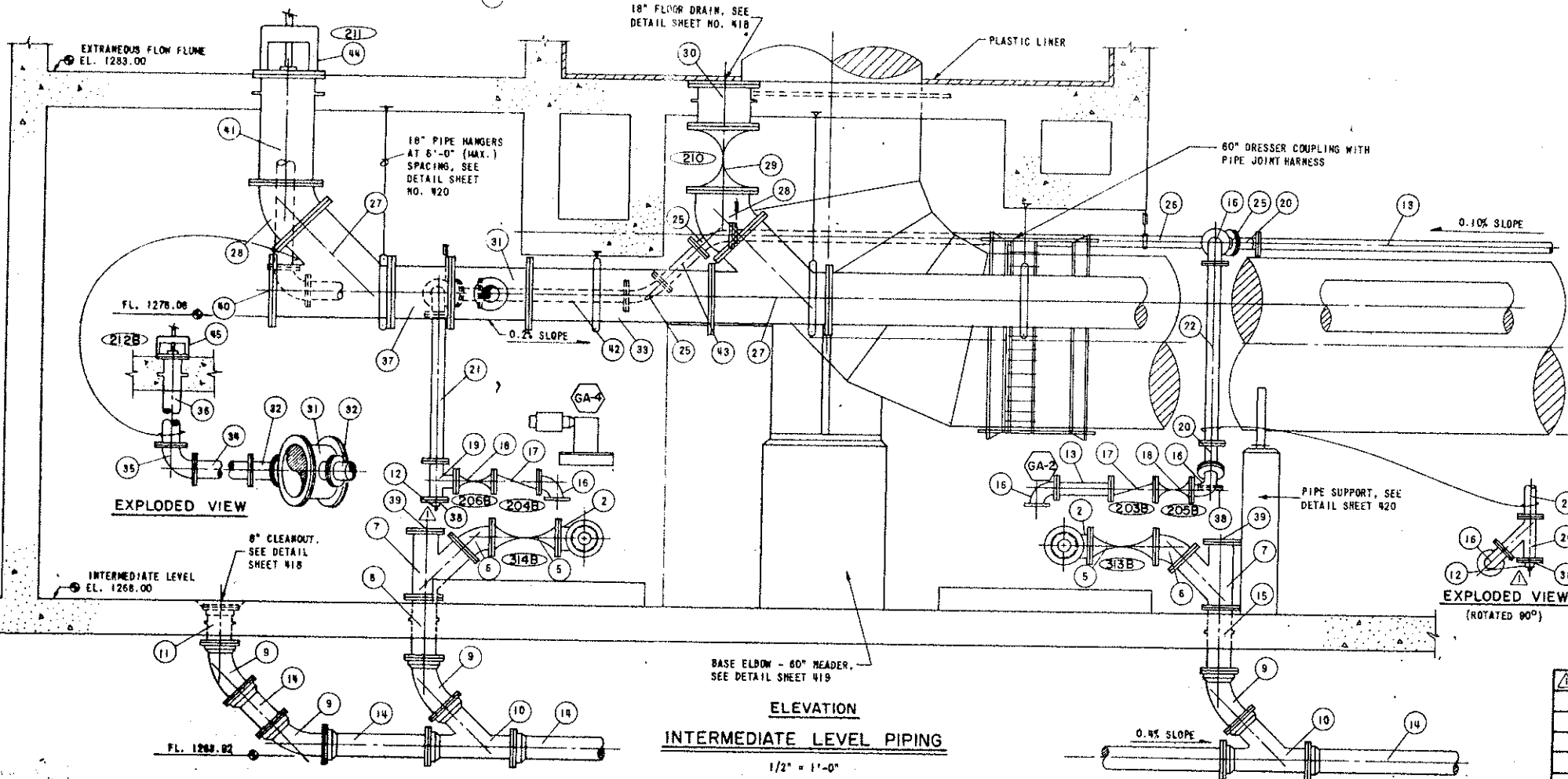
WICHITA, KANSAS
PLANT NO. 1 PUMPING STATION
GRIT BASIN FACILITY - SECTIONS
ENVIRONMENTAL

ADD BUTTERFLY VALVE	APR. 78	JGB	DESIGN	DATE:
ADD SIDEWALK HYDRANT			DRAWN	FEB. 1978
			JGG	FILE NO.
			AAD	75-181A
				SHEET NO. 407
				OF 421

SHELLEY-WILSON
ENGINEERS-ARCHITECTS-PLANNERS
208 LABAR, WICHITA, KANSAS 67201



PLAN



ELEVATION
INTERMEDIATE LEVEL PIPING
1/2" = 1'-0"

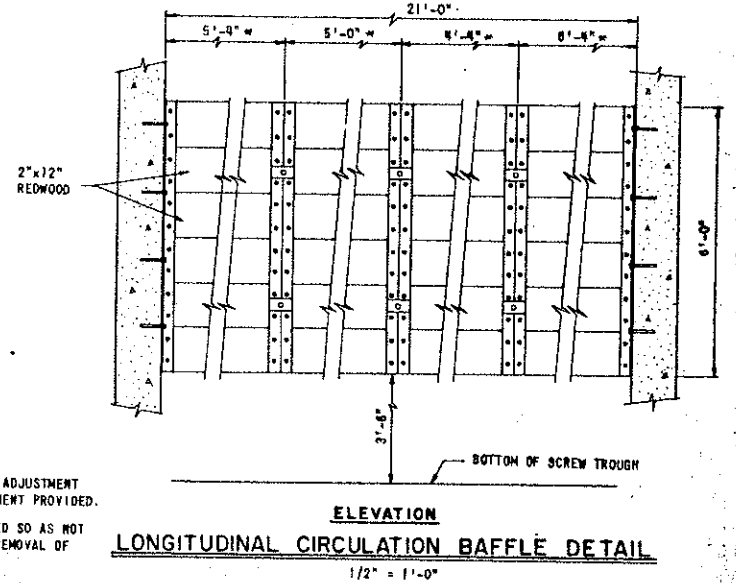
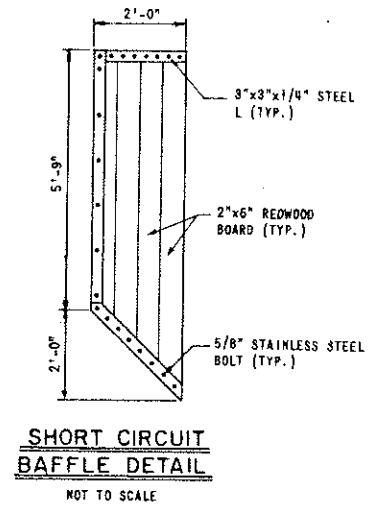
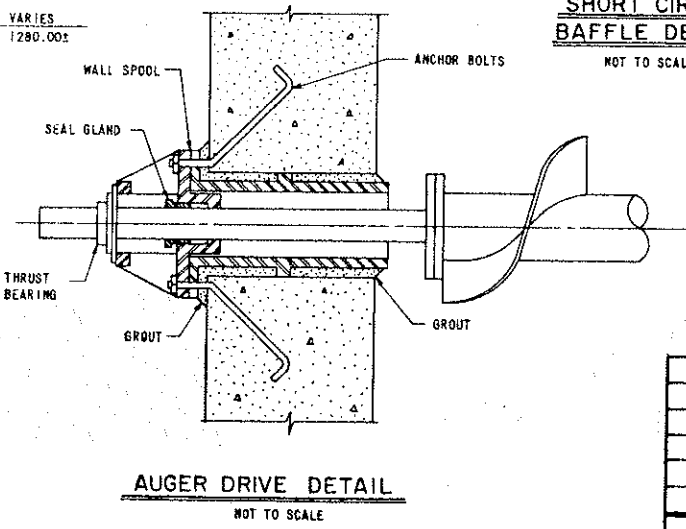
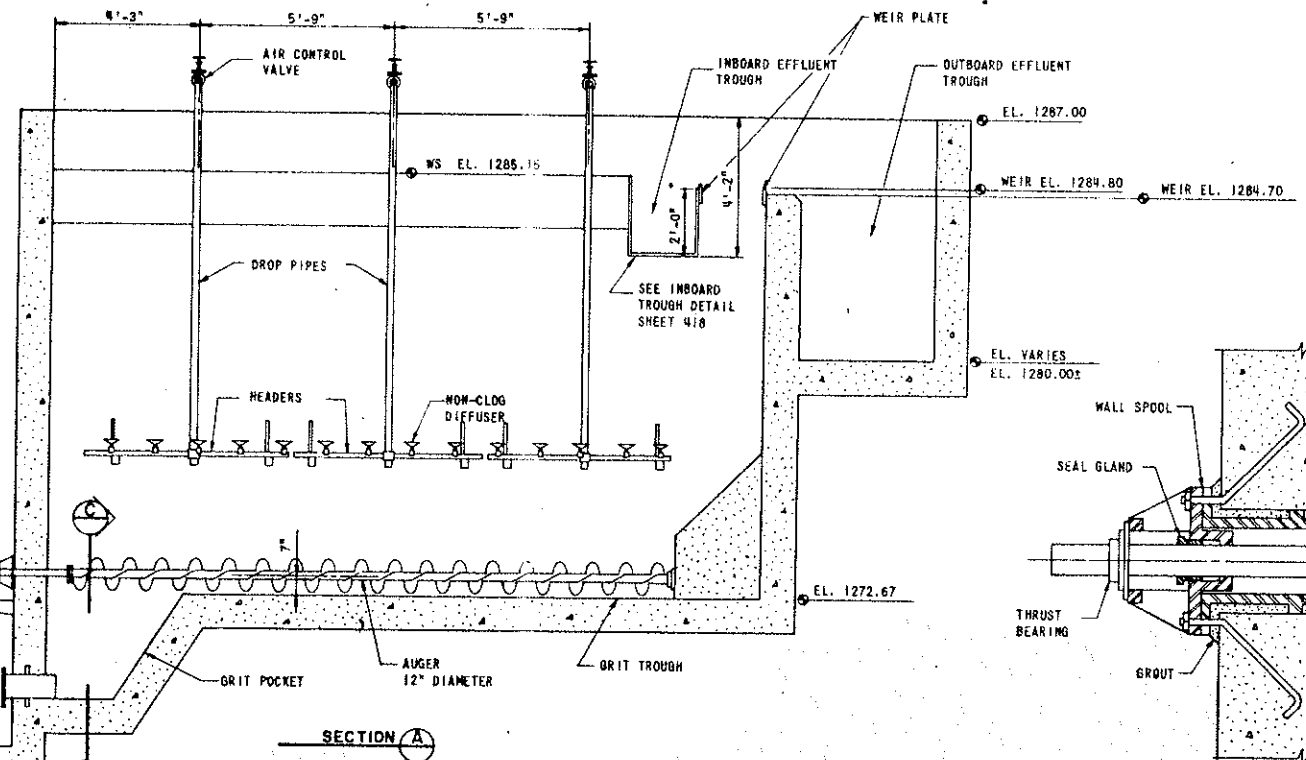
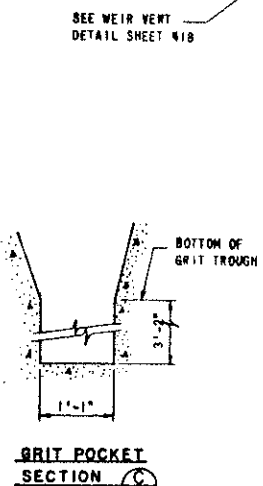
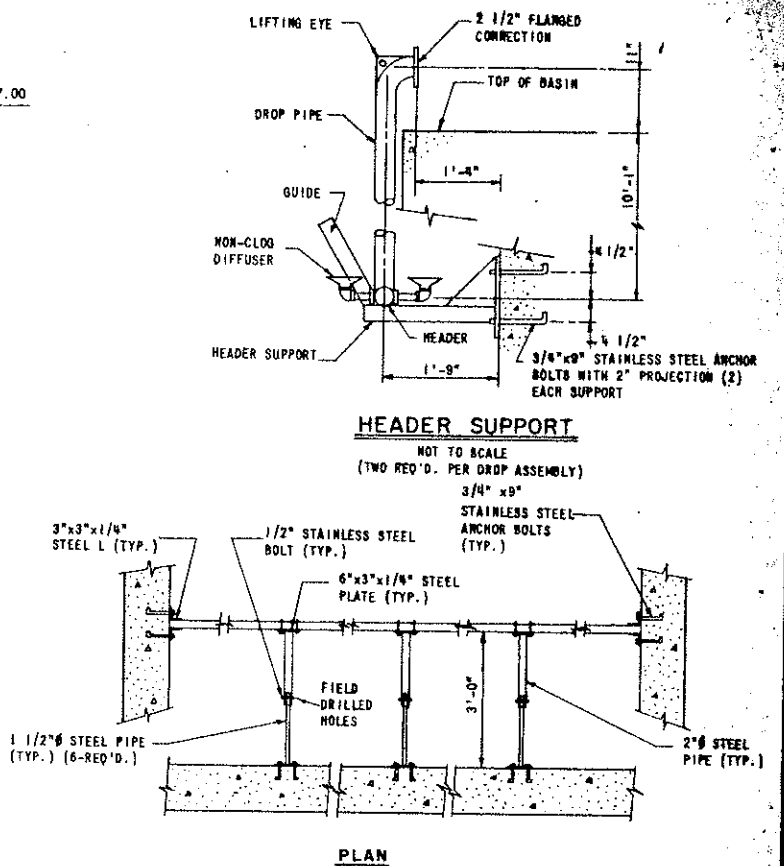
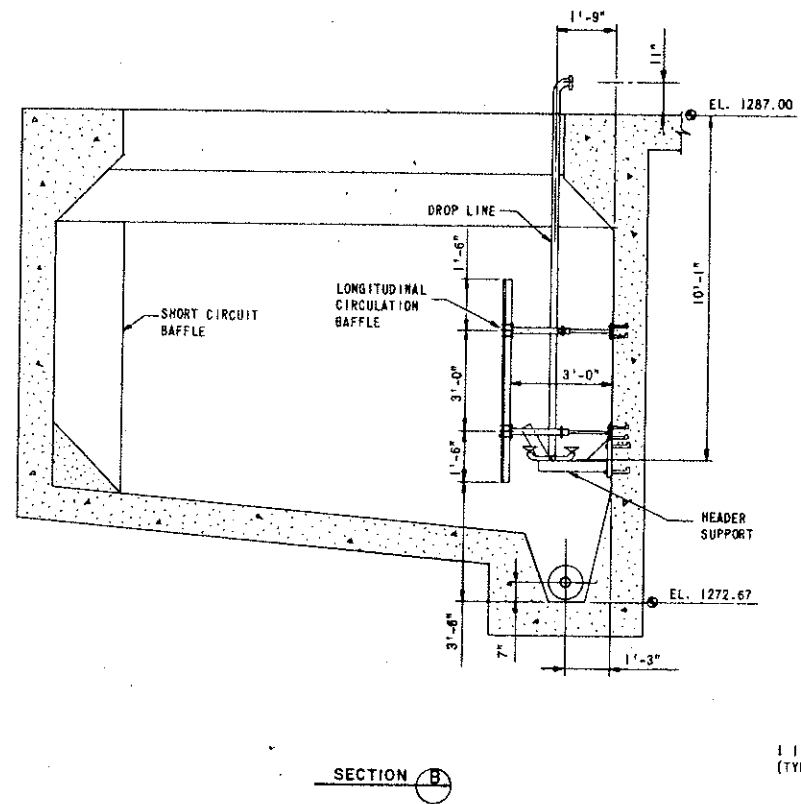
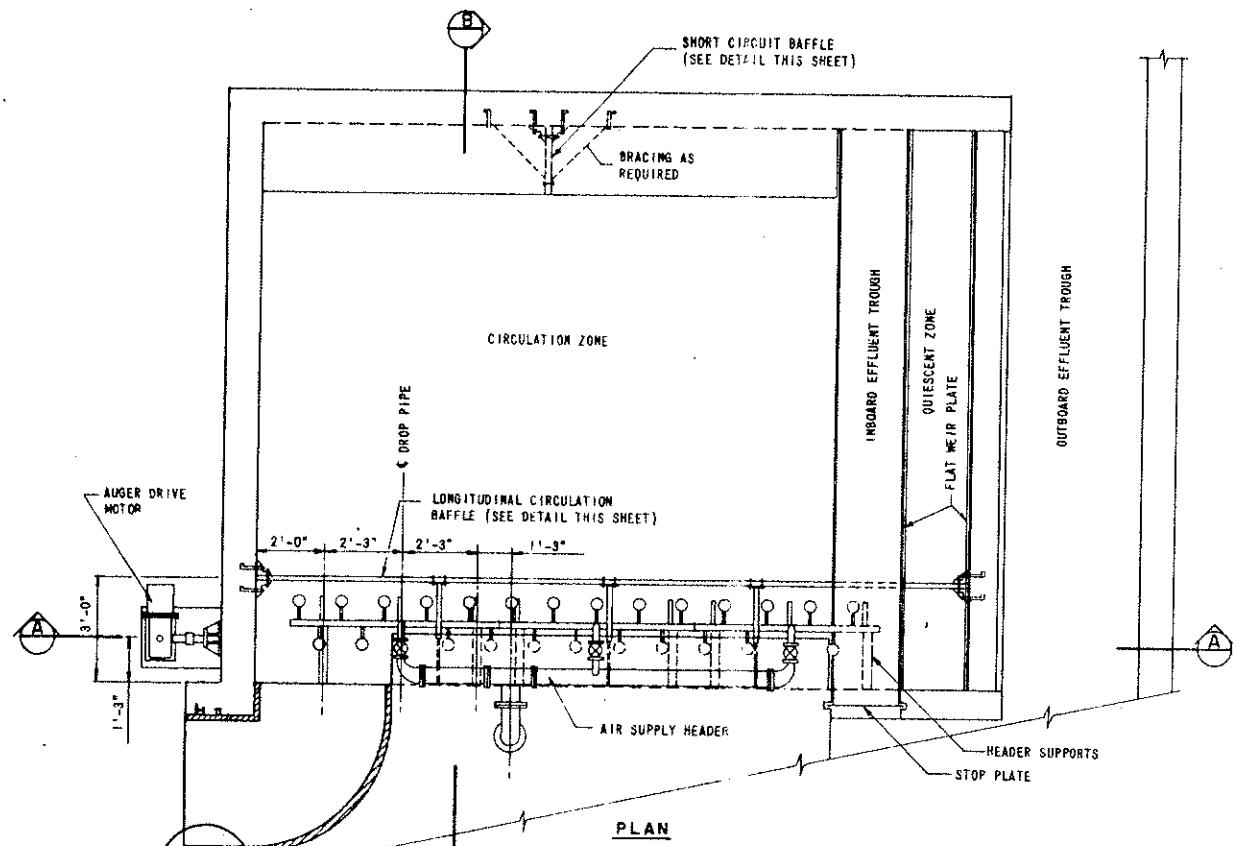
PIPING SCHEDULE		
1	8" WALL PIPE	FLxPE 1'-8" LG.
2	8" TEE	FLxFLxFL
3	8"x4" REDUCER	FLxFL CONCENTRIC
4	8" PINCH VALVE	FLxFL
5	8" PINCH VALVE	FLxFL
6	8"-45° BEND	FLxFL
7	8" WYE	FLxFL
8	8" WALL PIPE	FLxPE 1'-8 1/2" LG. FL. TAPPED FOR STUDS
9	8"-45° BEND	MJxPE
10	8" WYE	MJxPExMJ
11	8" WALL PIPE	MJxPE 1'-4" LG. INTERMEDIATE FL. 5" FROM FACE OF HJ SELL
12	AIR CONNECTION	1'-1 1/2" LG. TAPPED FLW WITH 1/4" MALE IPT PLUG
13	4" PIPE SPOOL	FLxFL LENGTH AS REQUIRED
14	8" PIPE	MJxPE LENGTH AS REQUIRED
15	8" WALL PIPE	FLxPE 1'-9 1/2" LG. FL. TAPPED FOR STUDS
16	4"-90° BEND	FLxFL
17	4" CHECK VALVE	FLxFL
18	4" PINCH VALVE	FLxFL
19	4" TEE	FLxFLxFL
20	4" WYE	FLxFLxFL
21	4" PIPE SPOOL	FLxFL 4'-0" LG.
22	4" PIPE SPOOL	FLxFL 5'-1 1/2" LG.
23	4" PIPE SPOOL	FLxFL 2'-1 1/2" LG.
24	4" PIPE SPOOL	FLxFL 1'-0 1/2" LG.
25	4"-45° BEND	FLxFL
26	4" PIPE	FLxFL 11'-10" LG.
27	18" WYE	FLxFLxFL
28	18"-45° BEND	FLxFL
29	18" PINCH VALVE	FLxFL
30	18" PIPE SPOOL	FLxFL 11'-1" LG. INTERMEDIATE FL. 6" FROM FLANGE FACE
31	18"x6" CROSS	FLxFL
32	6"-45° BEND	FLxFL
33	18" PIPE SPOOL	FLxFL 5'-1 1/2" LG.
34	6" PIPE SPOOL	FLxFL 7'-1 1/2" LG.
35	6"-90° BEND	FLxFL
36	6" PIPE SPOOL	FLxFL 5'-4" LG. 1" FLANGE TAPPED FOR STUDS INTERMEDIATE FLANGE 6" FROM TAPPED FLANGE FACE
37	18" PIPE SPOOL	FLxFL 1'-8 1/2" LG.
38	4" BLIND FLANGE	FLANGE DRILLED AND TAPPED WITH 1/4" IPT HOLE IN CENTER WITH PLUG
39	8" BLIND FLANGE	
40	18" BLIND FLANGE	* DRILLED AND TAPPED FOR 1" PLUG
41	18" PIPE SPOOL	FLxFL 3'-1" LG. 1" FLANGE TAPPED FOR STUDS INTERMEDIATE FLANGE 6" FROM TAPPED FLANGE FACE
42	4" PIPE SPOOL	FLxFL 6'-4" LG.
43	4" PIPE SPOOL	FLxFL 2'-1" LG.
44	18" MUD VALVE	FL
45	6" MUD VALVE	FL

* 18" PIPING IS STEEL. ALL FITTINGS AND SPOOLS MAY BE SHOP WELDED. FIELD JOINTS MAY BE DRESSER TYPE COUPLINGS

ADDED AIR CONNECTION	APR. 78	JOB	DESIGN JGG	DRAWN RAL	DATE: FEB. 1978
					FILE NO. 75-103A
					SHEET NO. 408
					OF 421

WICHITA, KANSAS
PLANT NO. 1 PUMPING STATION
GRIT BASIN FACILITY - INTERMEDIATE LEVEL PIPING
ENVIRONMENTAL

SHELLEY-WILSON
ENGINEERS-ARCHITECTS-PLANNERS

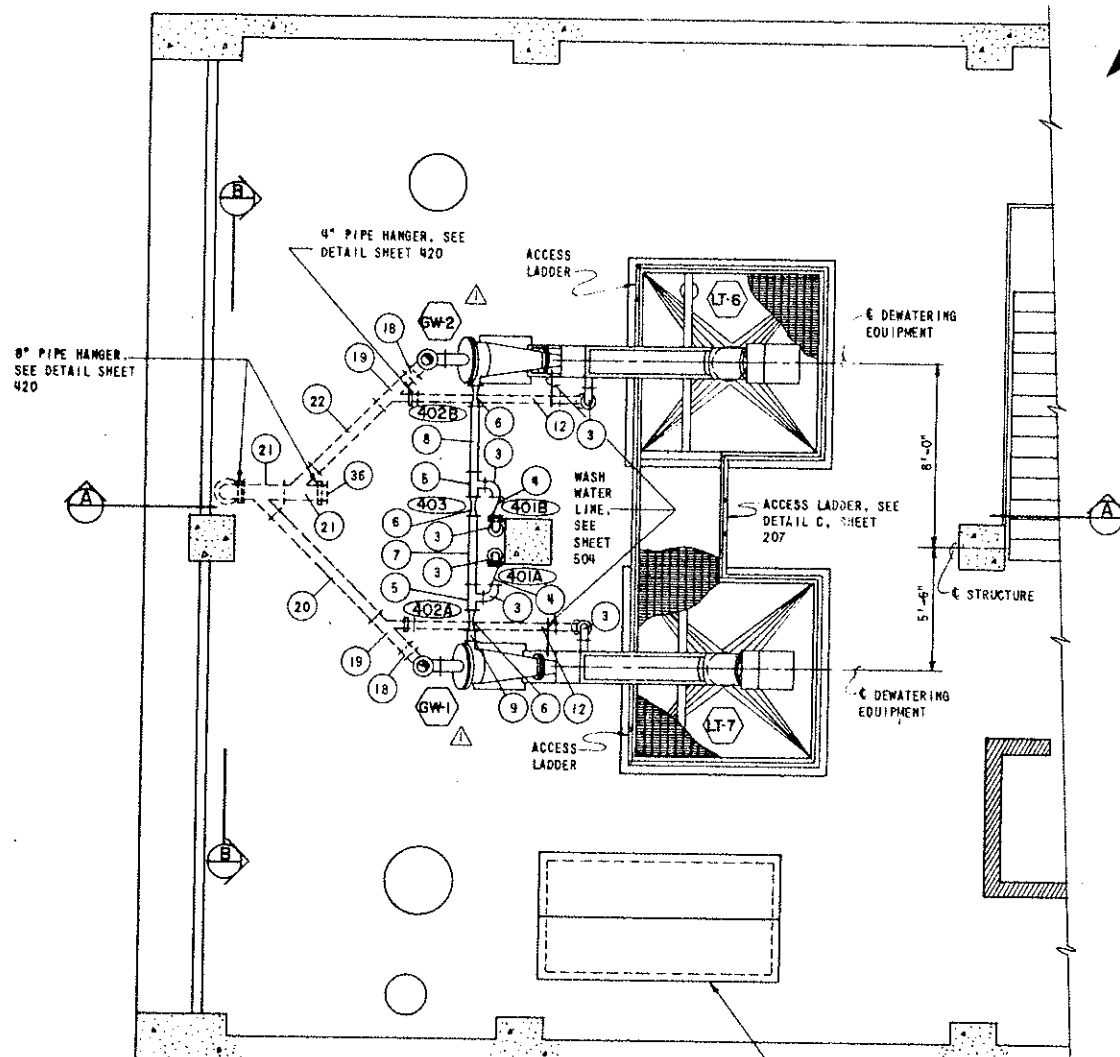


* DIMENSIONS MAY REQUIRE ADJUSTMENT ACCORDING TO AIR EQUIPMENT PROVIDED. SUPPORTS SHALL BE PLACED SO AS NOT TO INTERFERE WITH THE REMOVAL OF THE AIR HEADERS.

TYPICAL GRIT BASIN
3/8" = 1'-0"

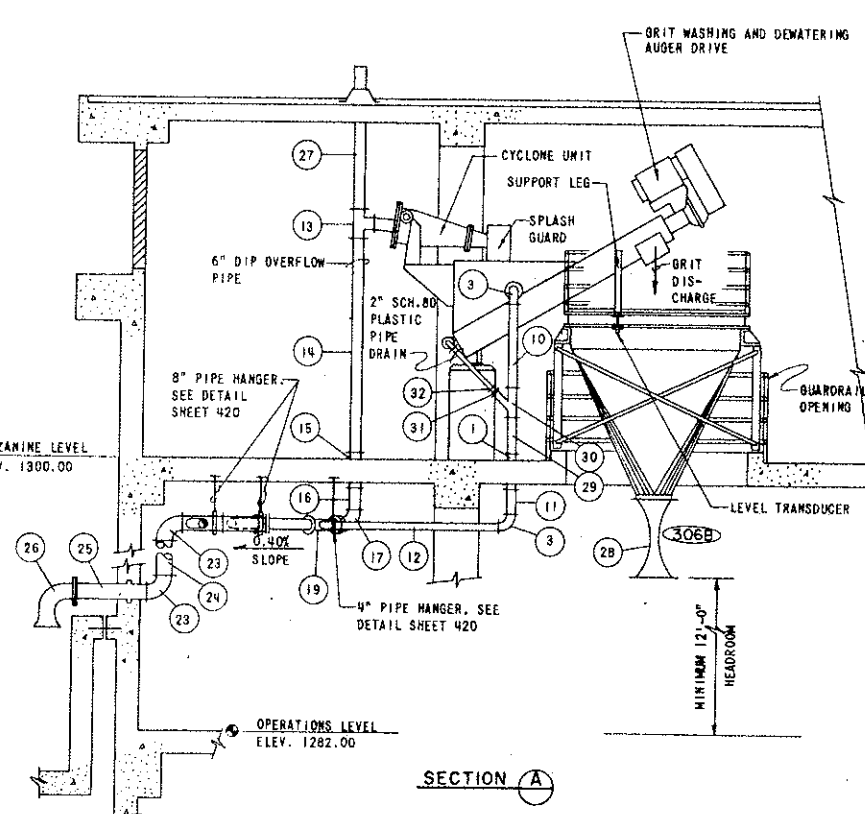
AUGER DRIVE DETAIL
NOT TO SCALE

WICHITA, KANSAS PLANT NO. 1 PUMPING STATION GRIT BASIN FACILITY - TYPICAL BASIN DETAIL ENVIRONMENTAL		
DESIGN JGG	DRAWN AAO	DATE: FEB. 1978
		FILE NO. 75-187A
SHELLEY-WILSON ENGINEERS-ARCHITECTS-PLANNERS		SHEET NO. 418
REVISION	DATE	BY

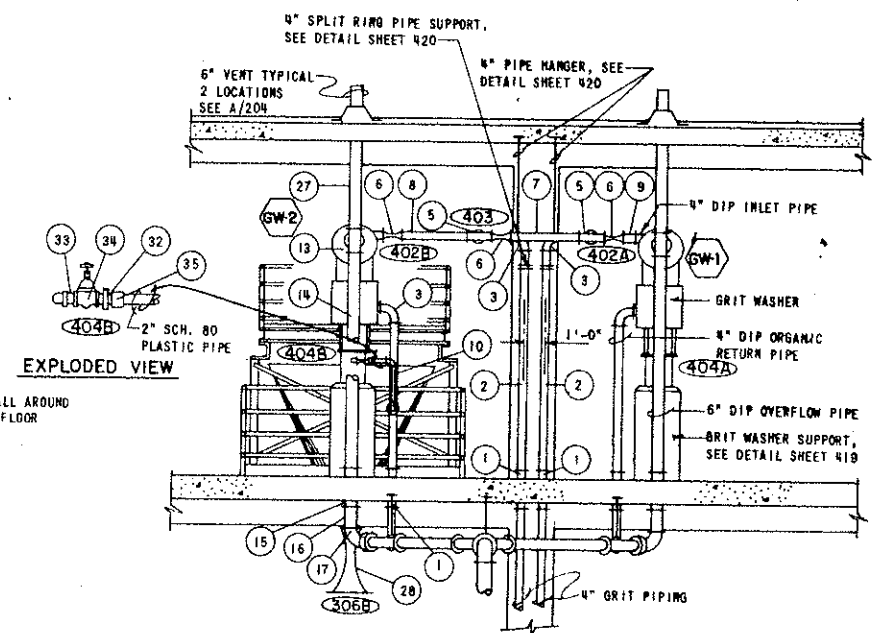


**PLAN
MEZZANINE LEVEL**
1/4" = 1'-0"

PIPING SCHEDULE			
1	4" WALL PIPE	1'-6" LG.	
2	4" PIPE SPOOL	*	
3	4" 90° BEND		
4	4" CHECK VALVE		
5	4"x4"x4" TEE		
6	4" PINCH VALVE		
7	4" PIPE SPOOL	3'-4 1/2" LG.	
8	4" PIPE SPOOL	*	
9	4" PIPE SPOOL	*	
10	4" PIPE SPOOL	*	
11	4" PIPE SPOOL	11 1/2" LG.	
12	4" PIPE SPOOL	*	
13	6"x6"x6" TEE		
14	6" PIPE SPOOL	*	
15	6" WALL PIPE	1'-6" LG.	
16	6" PIPE SPOOL	10" LG.	
17	6" 90° BEND		
18	8" PIPE SPOOL	*	
19	6"x6"x4" WYE		
20	6" PIPE SPOOL	*	
21	8"x8"x6" WYE		
22	6" PIPE SPOOL	*	
23	8" 90° BEND		
24	8" PIPE SPOOL	7'-9" LG.	
25	8" WALL PIPE	2'-3" LG. INTERMEDIATE FLANGE 9" FROM FACE OF FLANGE	
26	8" LONG RADIUS BELL MOUTH		
27	6" VENT PIPE	*	
28	18" PINCH VALVE		
29	4" PIPE SPOOL	*	
30	4"x4"x4" WYE		
31	2X9 O.D. REDUCING FLANGE		
32	2" THREAD X 2" PLASTIC ADAPTER		
33	2" PIPE NIPPLE	*	
34	2" GATE VALVE		
35	2" PLASTIC PIPE COUPLING		
36	8" BLIND FLANGE		

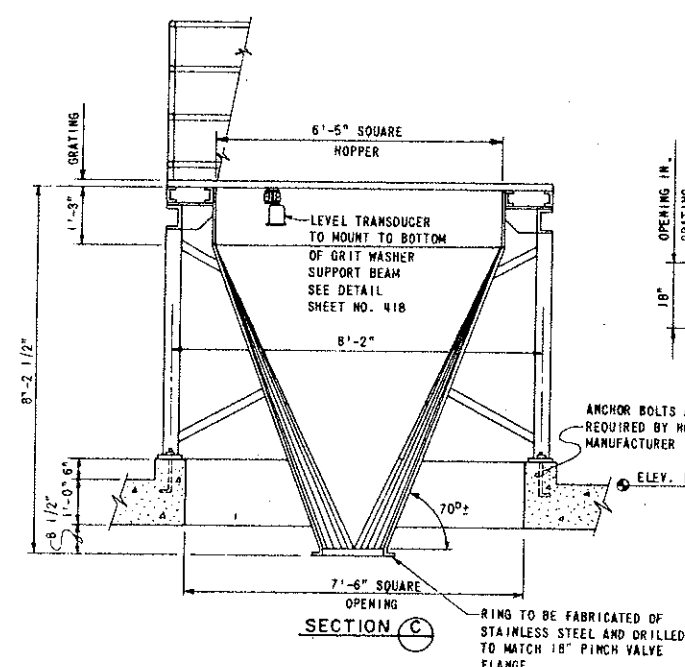


SECTION A

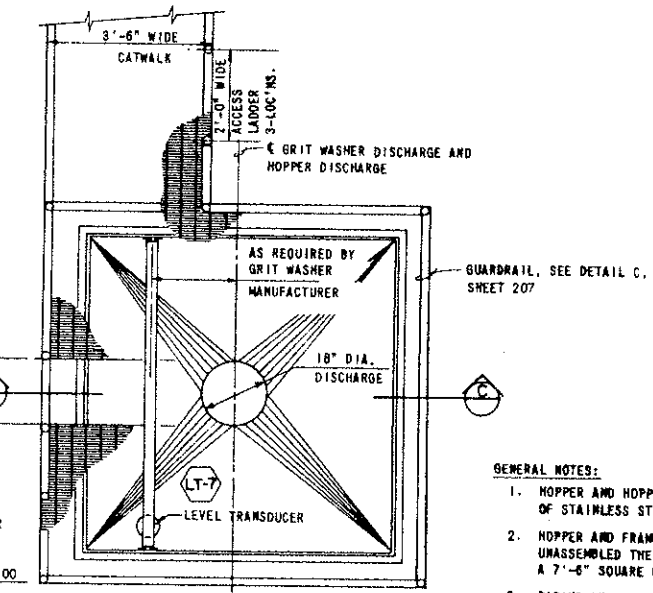


EXPLODED VIEW

SECTION B



SECTION C



PLAN

- GENERAL NOTES:**
1. HOPPER AND HOPPER FRAME TO BE FABRICATED OF STAINLESS STEEL.
 2. HOPPER AND FRAME TO BOLT TOGETHER SO WHEN UNASSEMBLED THE ENTIRE UNIT WILL PASS THRU A 7'-6" SQUARE OPENING.
 3. PIPING AND EQUIPMENT SYMMETRICAL ABOUT CENTERLINE OF STRUCTURE.

GRIT HOPPER

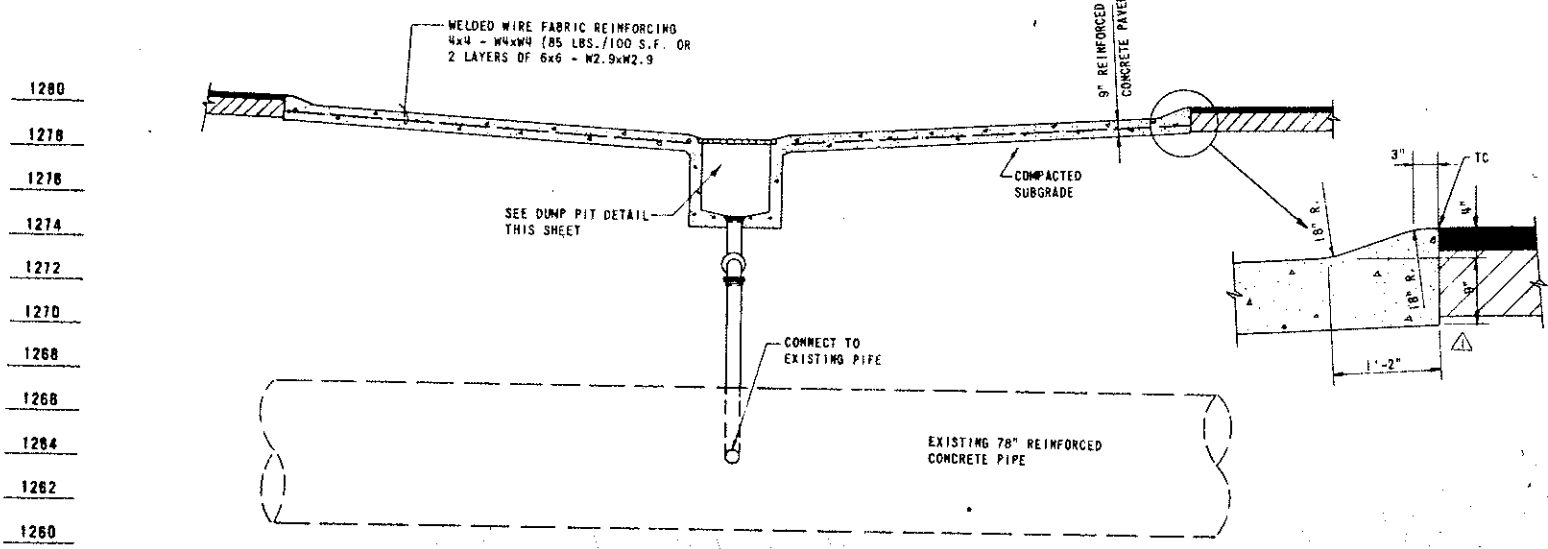
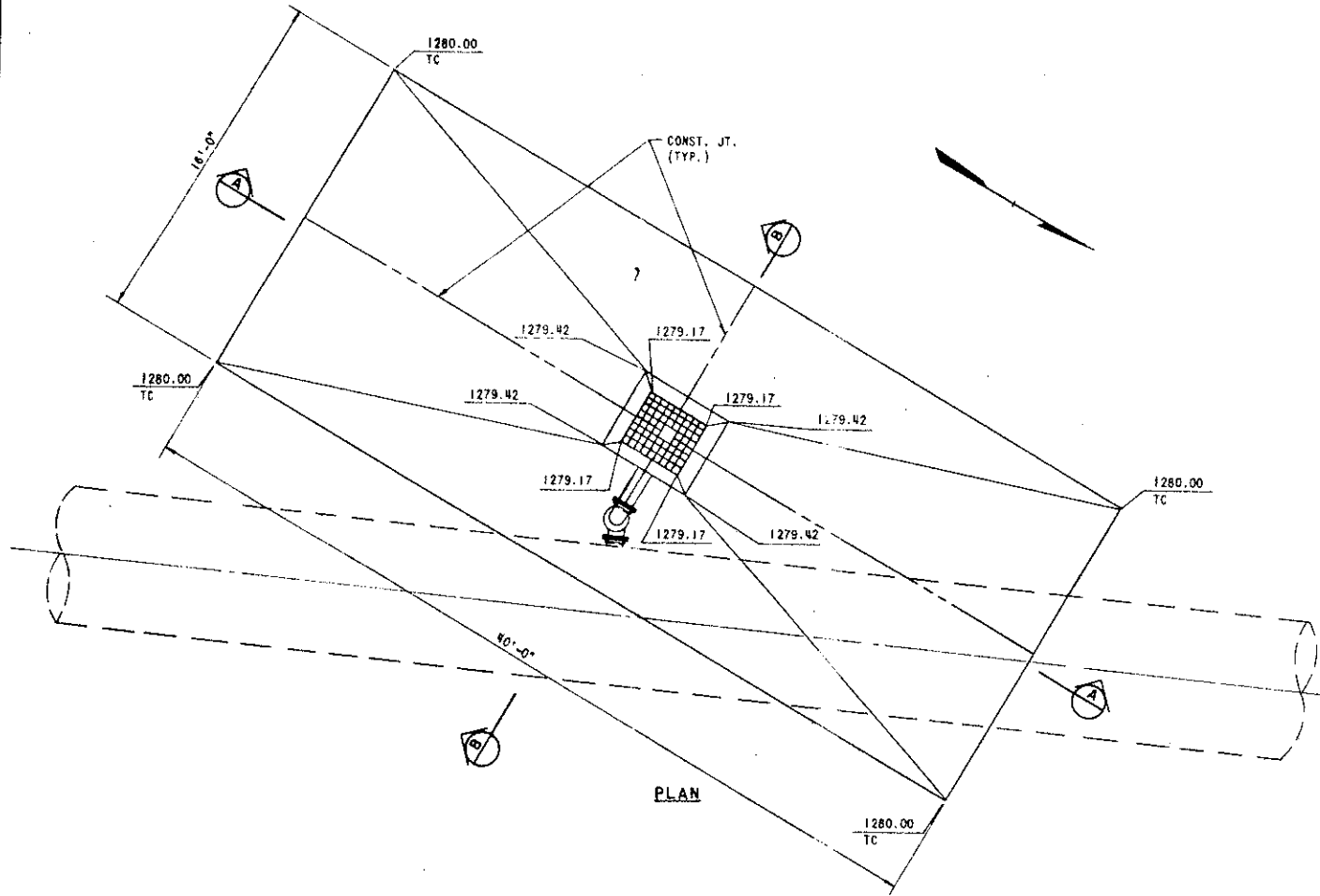
1/2" = 1'-0"
(2 REQ'D.)

* LENGTH AS REQUIRED FOR EQUIPMENT SUPPLIED.
ALL PIPING FLANGED UNLESS OTHERWISE NOTED.

REVISION	DATE	BY
CHANGE GRITWASHER DESIGNATION	APR. 78	JGG

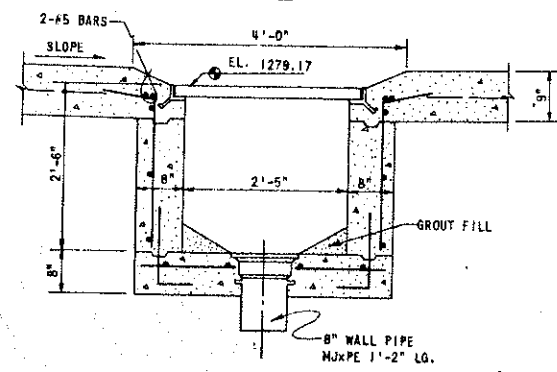
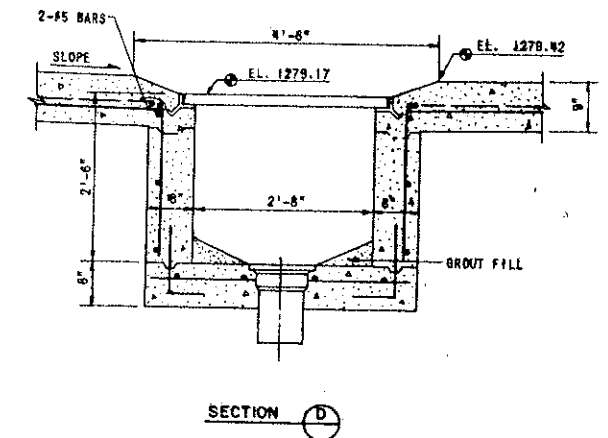
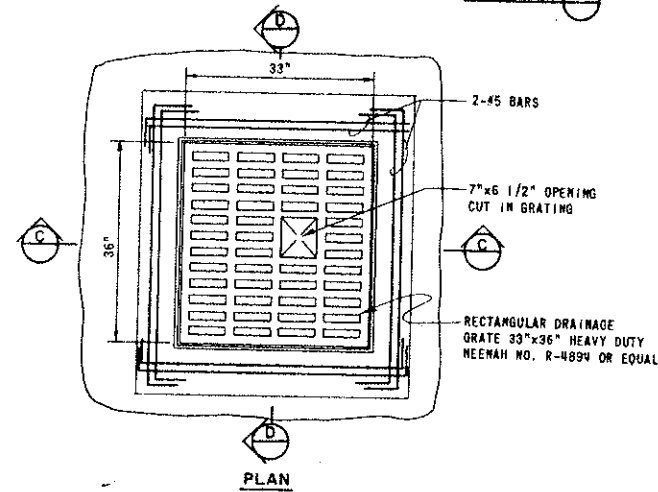
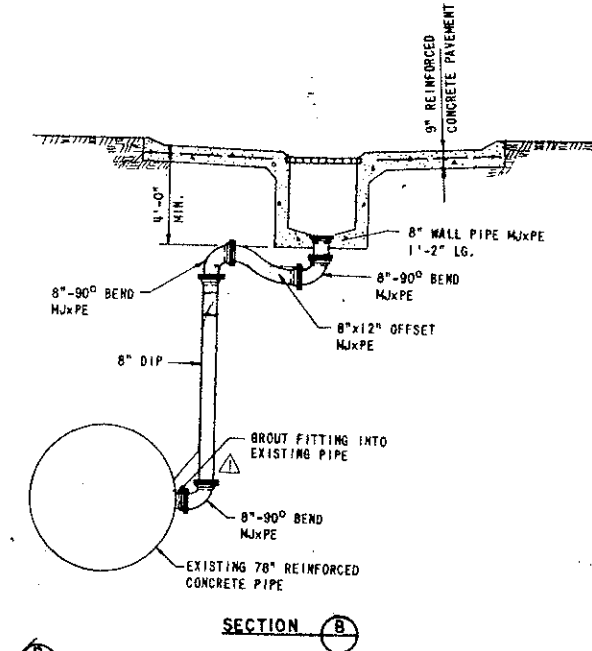
WICHITA, KANSAS
PLANT NO. 1 PUMPING STATION
MEZZANINE LEVEL PLAN AND GRIT DEWATERING EQUIP.
ENVIRONMENTAL

DESIGN BLK	DATE APR. 78	BY JGG	DATE FEB. 1978
DRAWN AAG			FILE NO. 75-181A
			SHEET NO. 411
SHELLEY-WILSON ENGINEERS-ARCHITECTS-PLANNERS 204 LAMBDA, WICHITA, KANSAS 67201			OF 421



SECTION A
SEPTIC TANK DUMP PIT
1/4" = 1'-0"

1280
1278
1276
1274
1272
1270
1268
1266
1264
1262
1260



NOTE: ALL REINFORCING STEEL #4 # 12" UNLESS OTHERWISE NOTED. LAP 12"

DUMP PIT DETAIL

REVISION	DATE	BY
PUT CURB AROUND DUMP PIT AND MOVED 78" CONNECTION TO 78" FROM TOP TO SIDE	APR. 78	JGG

WICHITA, KANSAS
PLANT NO. 1 PUMPING STATION
SEPTIC TANK DUMP PIT DETAILS
ENVIRONMENTAL

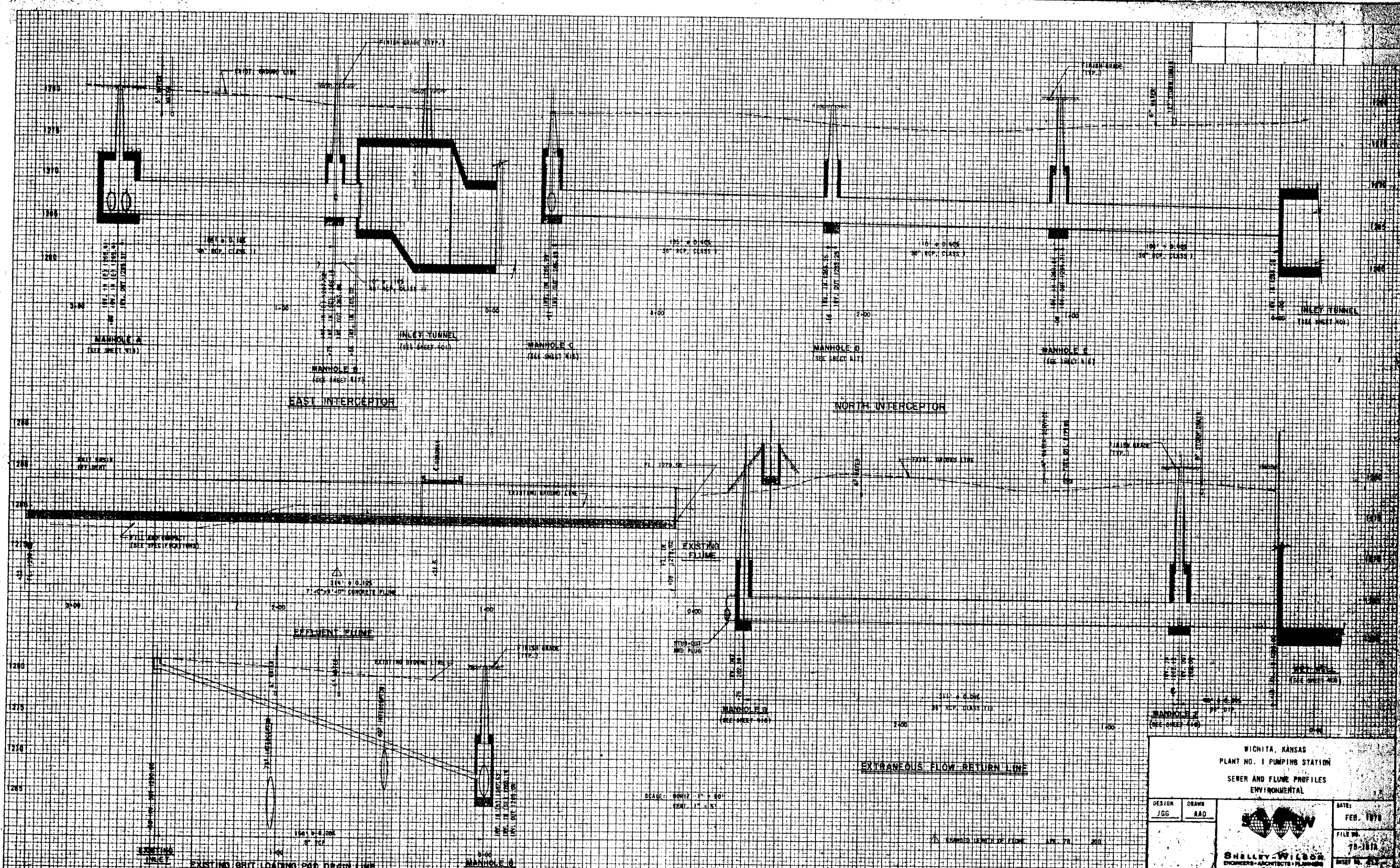
DESIGN: JGG
DRAWN: RWV

DATE: FEB. 1974

FILE NO: 78-101K
SHEET NO. 412
OF 431

SHERRY-WILSON
ENGINEERS-ARCHITECTS-PLANNERS

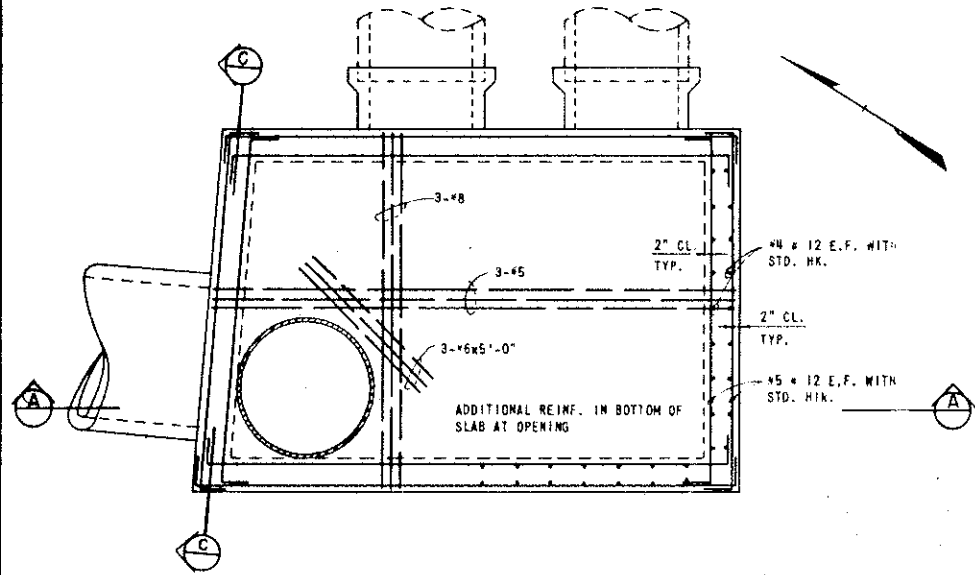
JAMES E. DOHNEY
LICENSED
7947
KANSAS
PROFESSIONAL ENGINEER



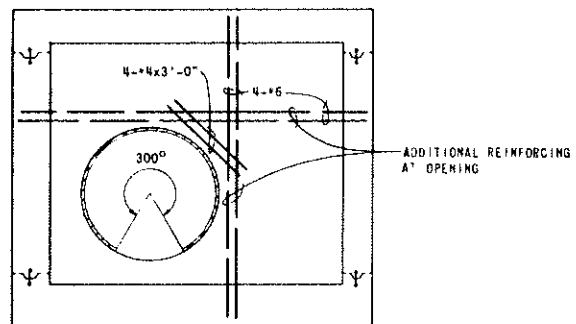
SCALE: HORIZ. 1" = 40'
VERT. 1" = 4'

EXTRANEAL FLOW RETURN LINE

WICHITA, KANSAS		PLANT NO. 1 PUMPING STATION	
SEWER AND FLUME PROFILES		ENVIRONMENTAL	
DESIGN JGG	DRAWN AAD	DATE: FEB. 1970	FILE NO. 70-1111
		SHEET NO. 42	
		OF 42	



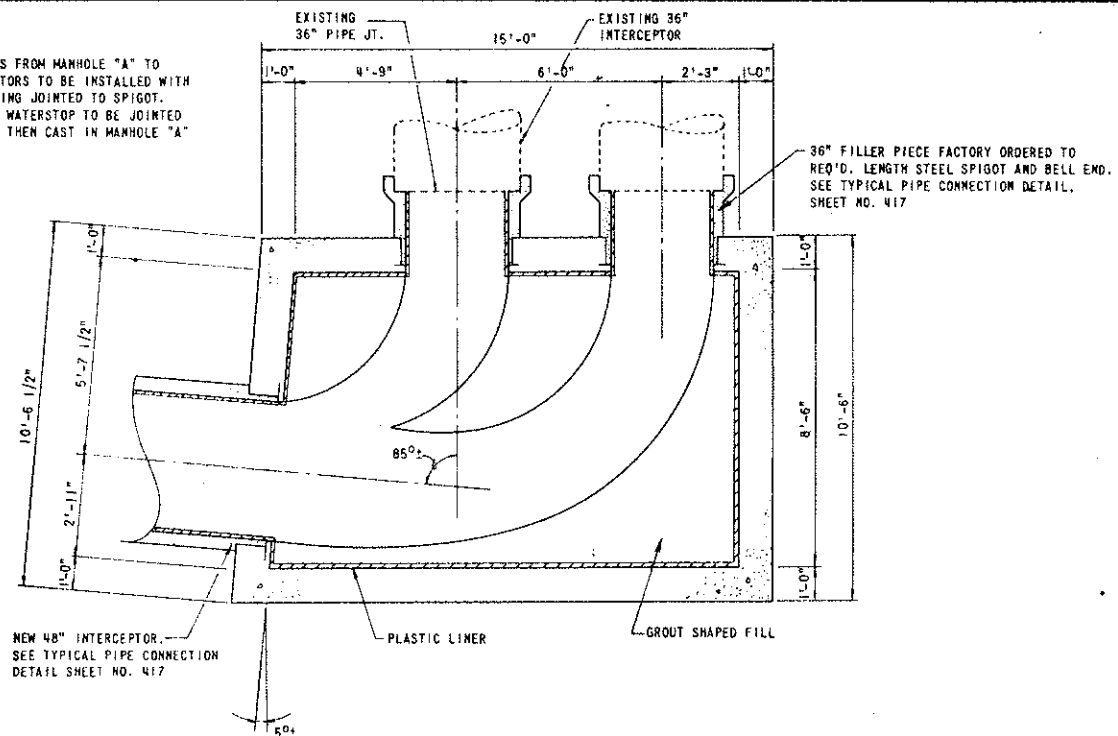
PLAN



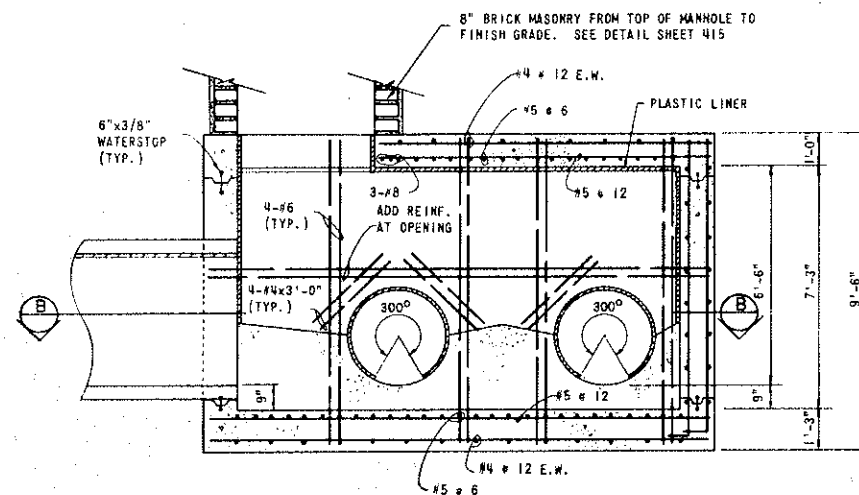
SECTION C

NOTE:

PIPE FILLER PIECES FROM MANHOLE "A" TO EXISTING INTERCEPTORS TO BE INSTALLED WITH STEEL WATERSTOP RING JOINTED TO SPIGOT. FILLER PIECE WITH WATERSTOP TO BE JOINTED TO EXISTING PIPE, THEN CAST IN MANHOLE "A" WALL.



SECTION B



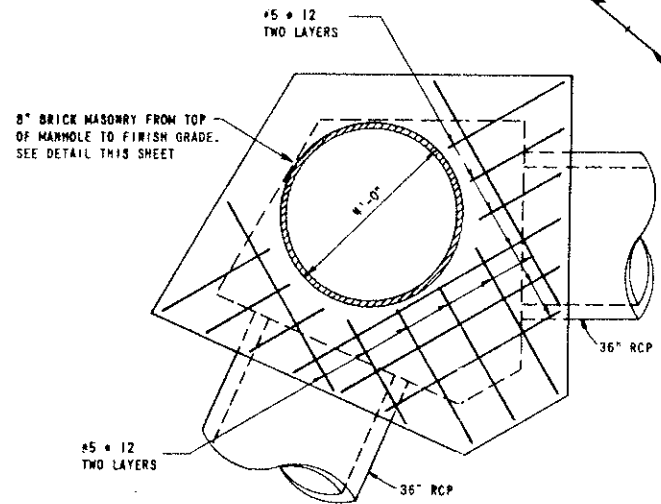
SECTION A

MANHOLE A
3/8" = 1'-0"

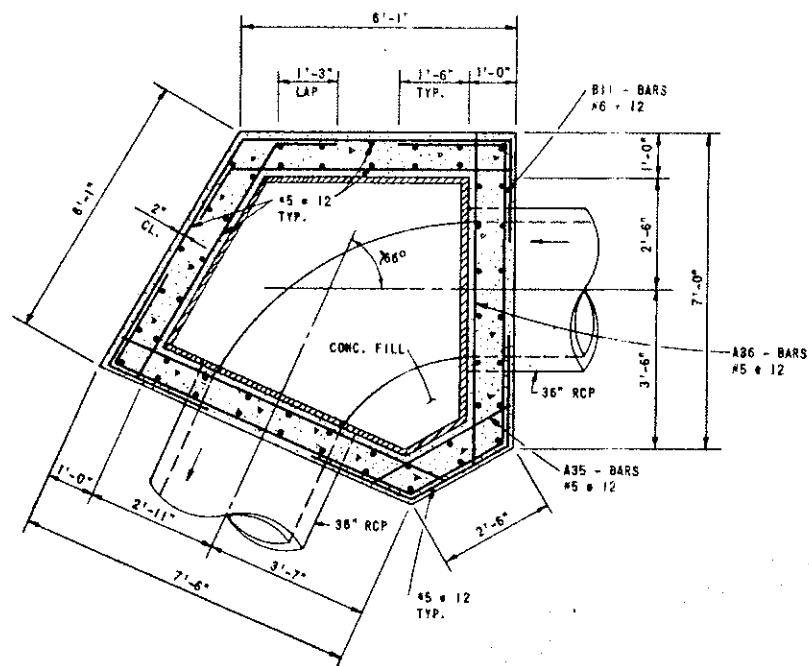
NOTES:

1. INSIDE OF CONCRETE MANHOLE TO BE PLASTIC LINED, AS INDICATED.
2. ALL RCP CONNECTIONS TO CONCRETE MANHOLE SHALL BE MADE WITH A STEEL BELL RING FITTING. SEE DETAIL SHEET 417.
3. MANHOLE RISER AND CONE SECTION SHALL BE OF BRICK. SEE DETAIL SHEET 415.

WICHITA, KANSAS PLANT NO. 1 PUMPING STATION MANHOLE A ENVIRONMENTAL		
DESIGN KJS	DRWR DFP	DATE FEB. 1978
SHELLY-WILSON ENGINEERS-ARCHITECTS-PLANNERS 1001 S. W. 10th St., Wichita, Kansas, 67211		FILE NO. 75-181A SHEET NO. 414 OF 422
REVISION	DATE	BY



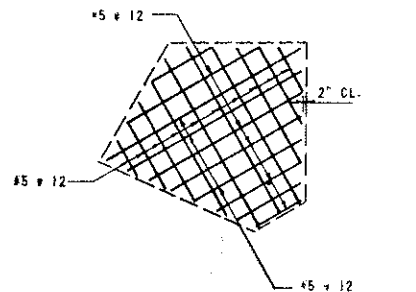
PLAN



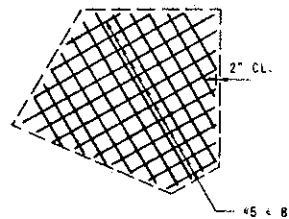
SECTION

MANHOLE E

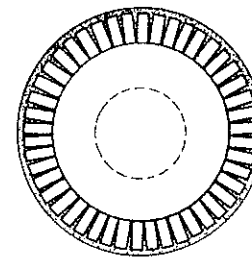
1/2" = 1'-0"



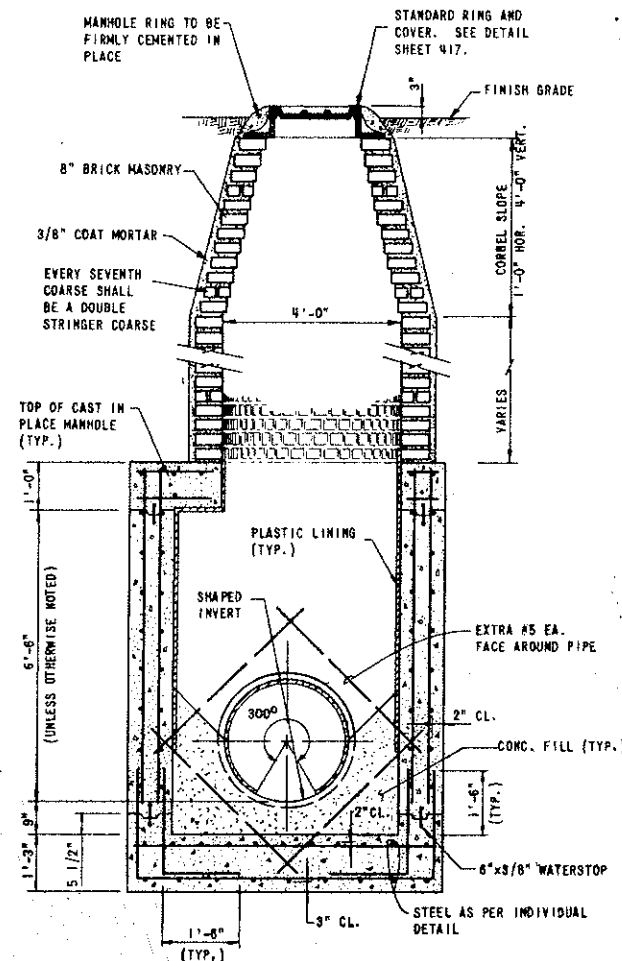
BOTTOM MAT - BOTTOM SLAB



TOP MAT - BOTTOM SLAB



PLAN



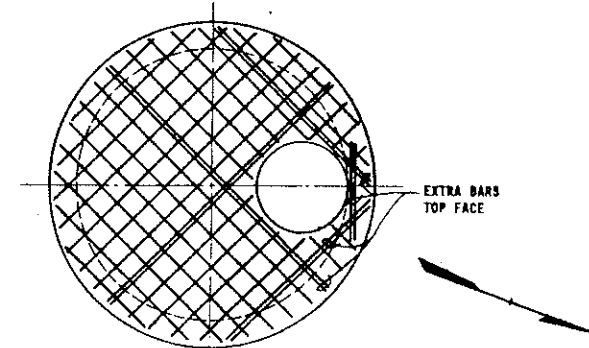
SECTION

TYPICAL MANHOLE AND BRICK RISER

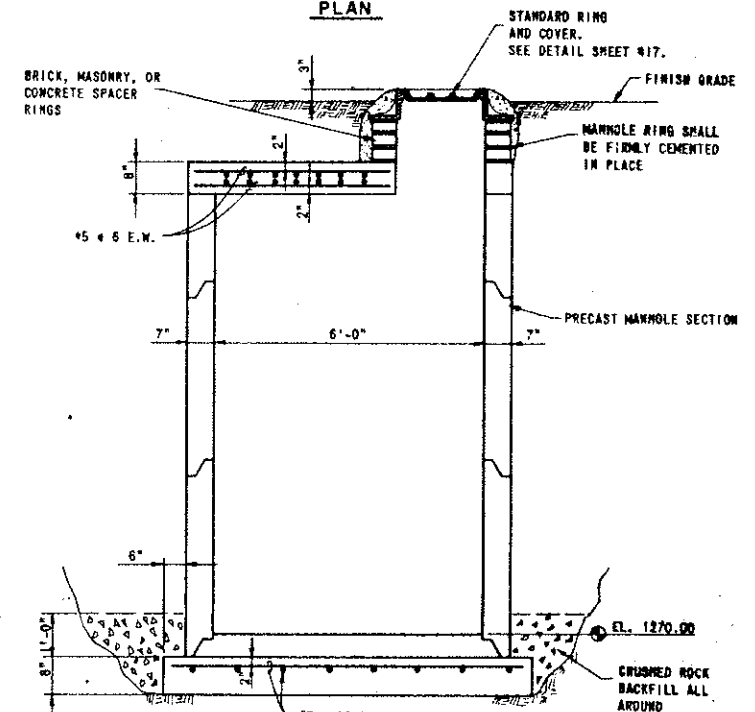
1/2" = 1'-0"

NOTES:

1. BRICK FOR MANHOLES SHALL MEET REQUIREMENTS OF ASTM C32-73, GRADE MS.
2. MORTAR SHALL MEET REQUIREMENTS OF ASTM C270, TYPE M.



PLAN



ELEVATION

MANHOLE H

1/2" = 1'-0"

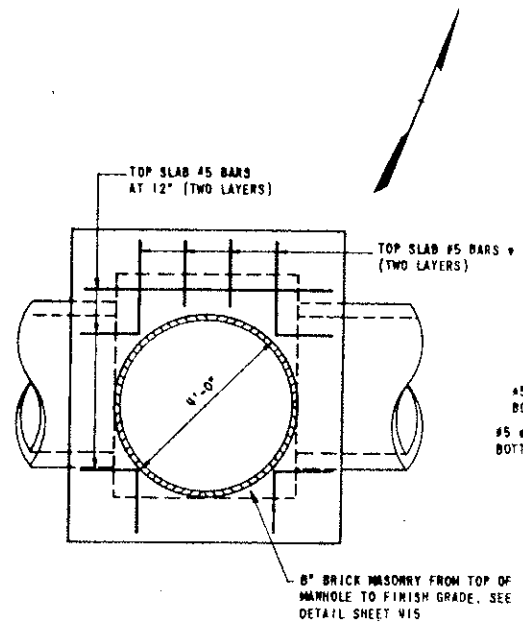
NOTES:

1. INSIDE OF CONCRETE MANHOLE TO BE PLASTIC LINED, AS INDICATED.
2. ALL RCP CONNECTIONS TO CONCRETE MANHOLE SHALL BE MADE WITH A STEEL BELL RING FITTING. SEE DETAIL SHEET #17.
3. MANHOLE RISERS AND CONE SECTION SHALL BE OF BRICK. SEE DETAIL THIS SHEET.

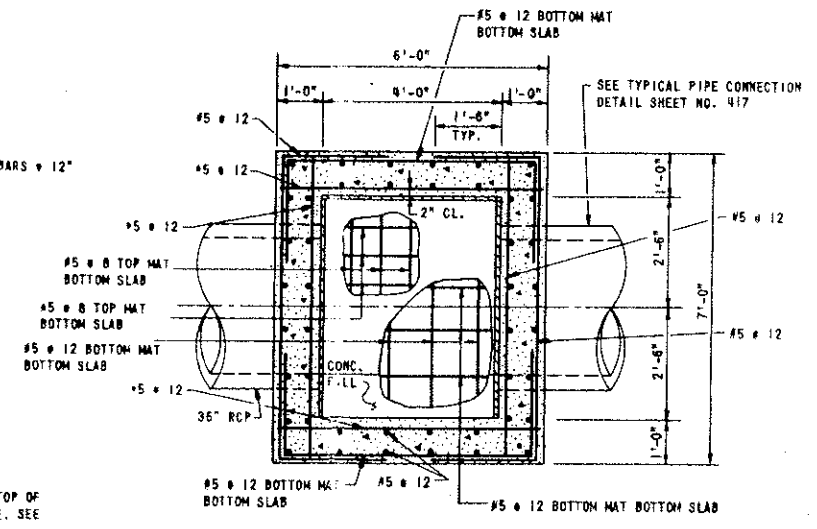
WICHITA, KANSAS
PLANT NO. 1 PUMPING STATION
MANHOLE DETAILS
ENVIRONMENTAL

DESIGN JMB	DRAWN RLK	DATE FEB. 1978
		FILE NO. 78-101A
		SHEET NO. 11

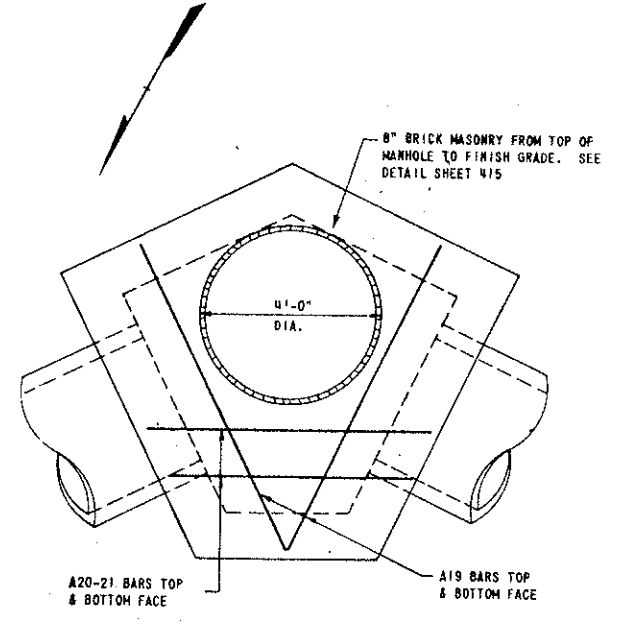
REVISION	DATE	BY



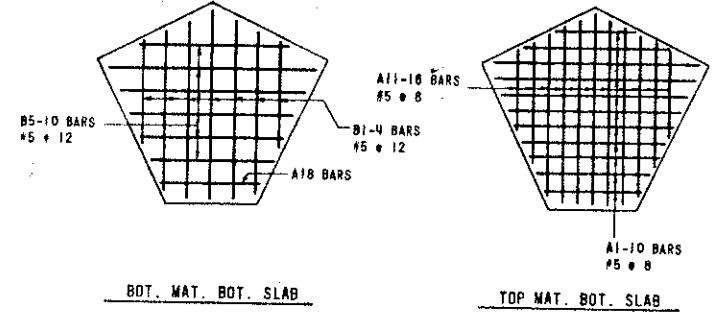
PLAN



SECTION

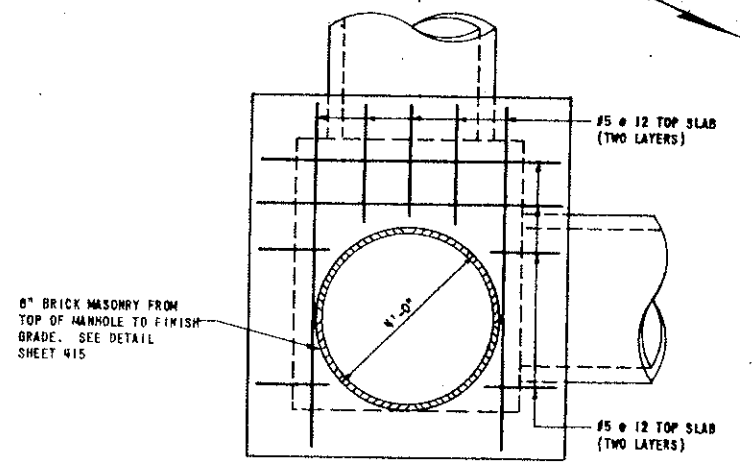


PLAN

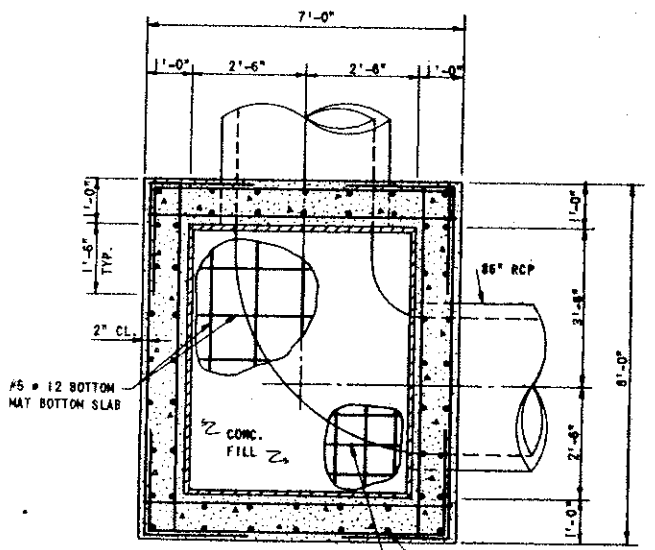


BDT. MAT. BOT. SLAB

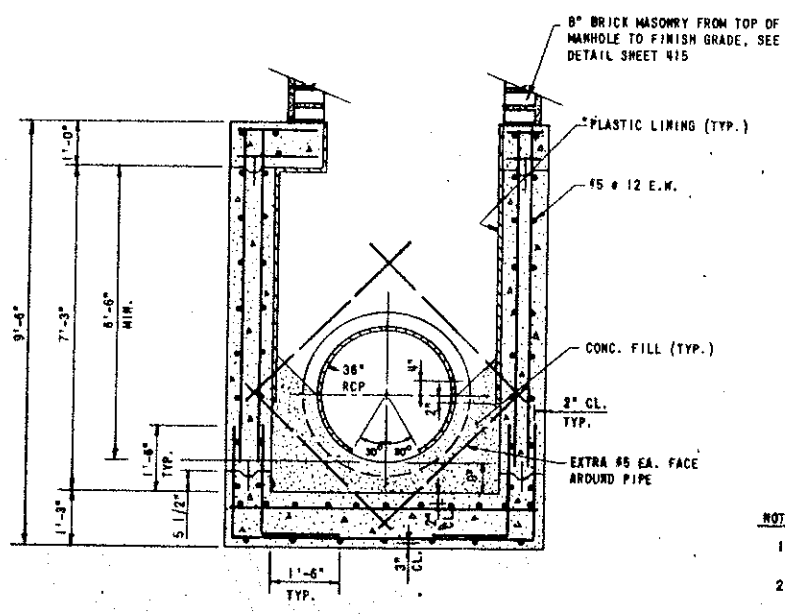
TOP MAT. BOT. SLAB



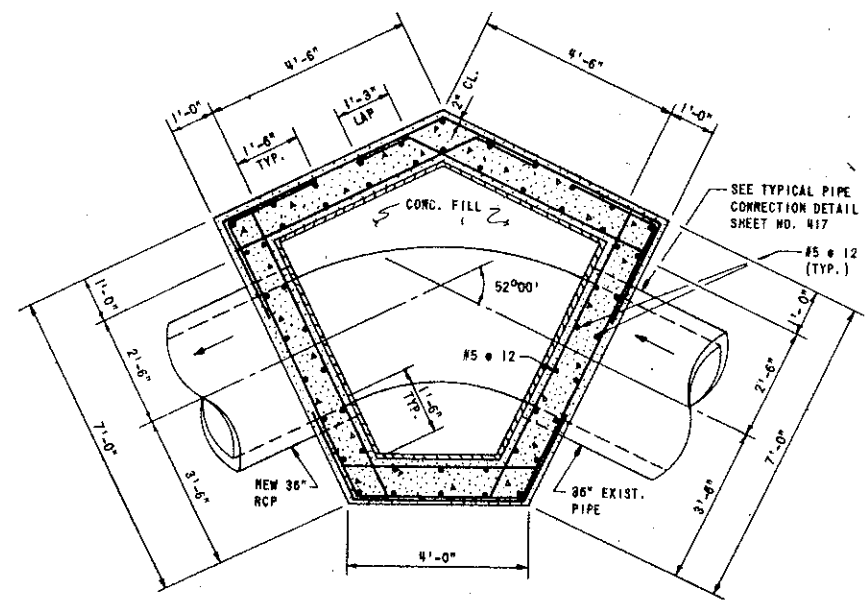
PLAN



SECTION
MANHOLE F
1/2" = 1'-0"



SECTION
MANHOLE G
1/2" = 1'-0"



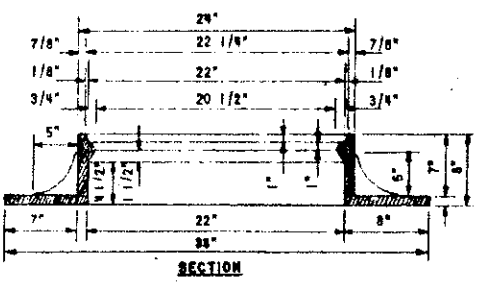
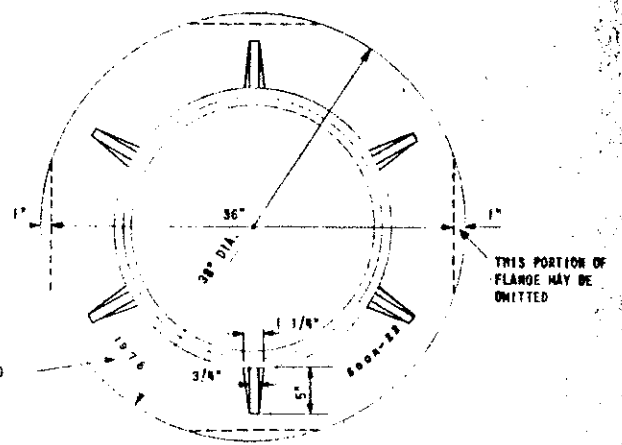
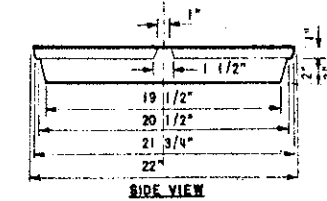
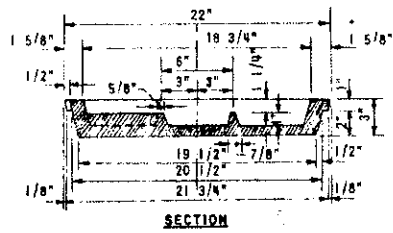
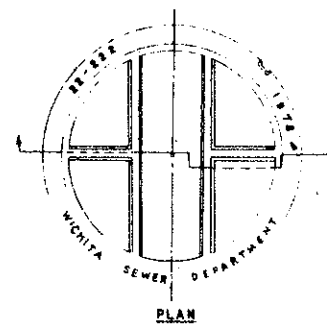
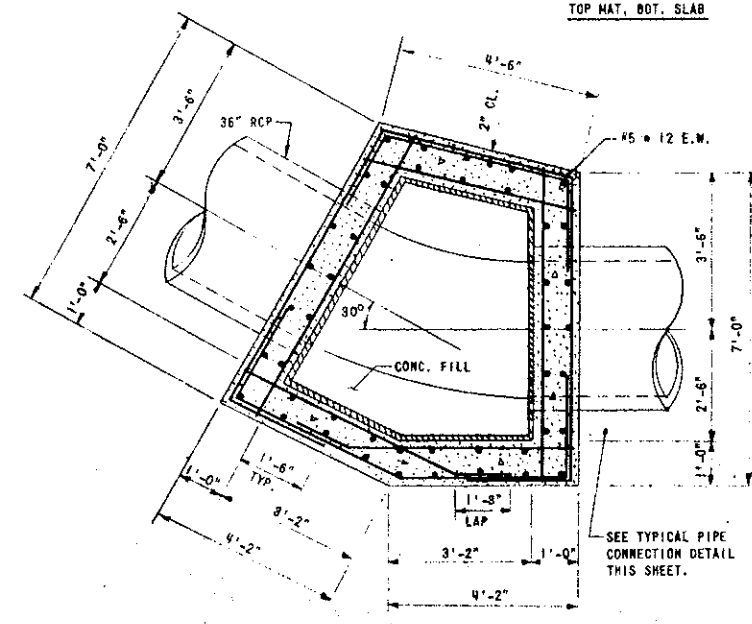
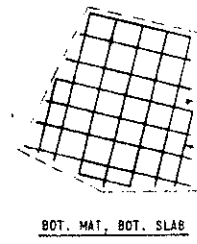
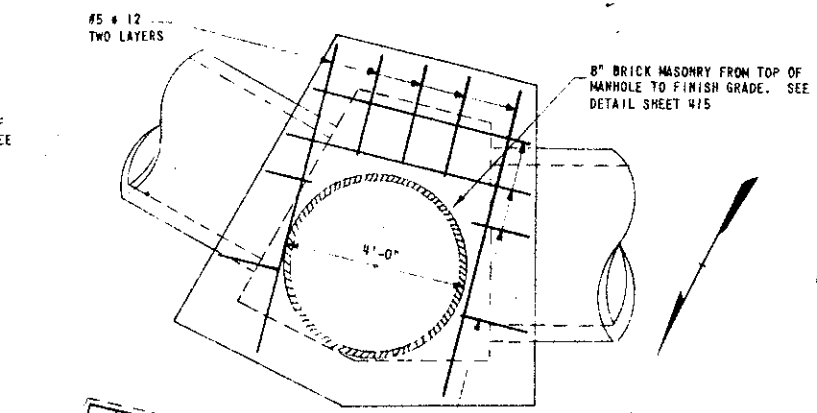
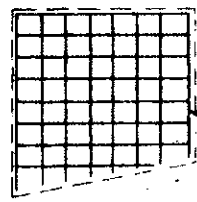
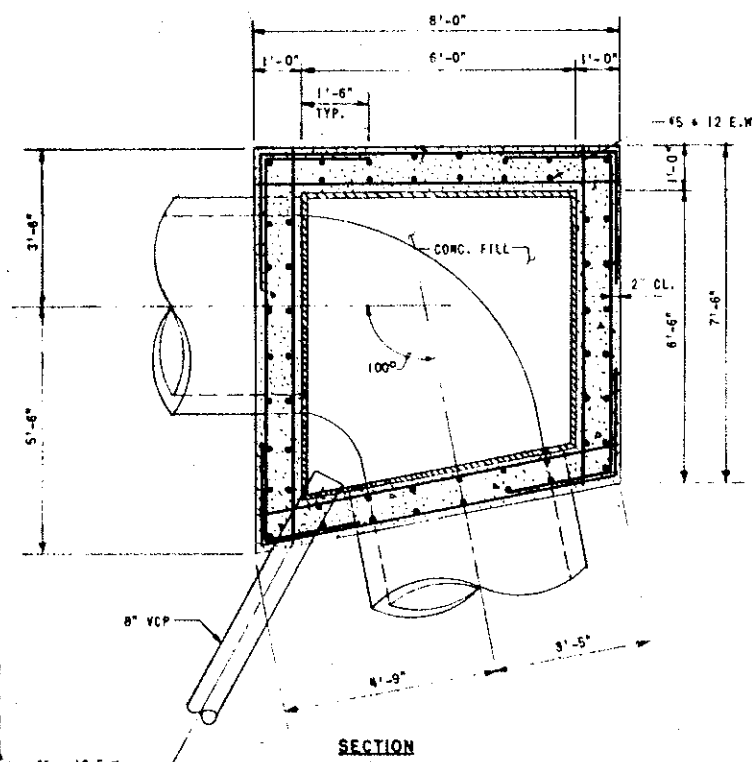
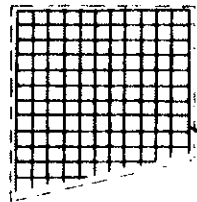
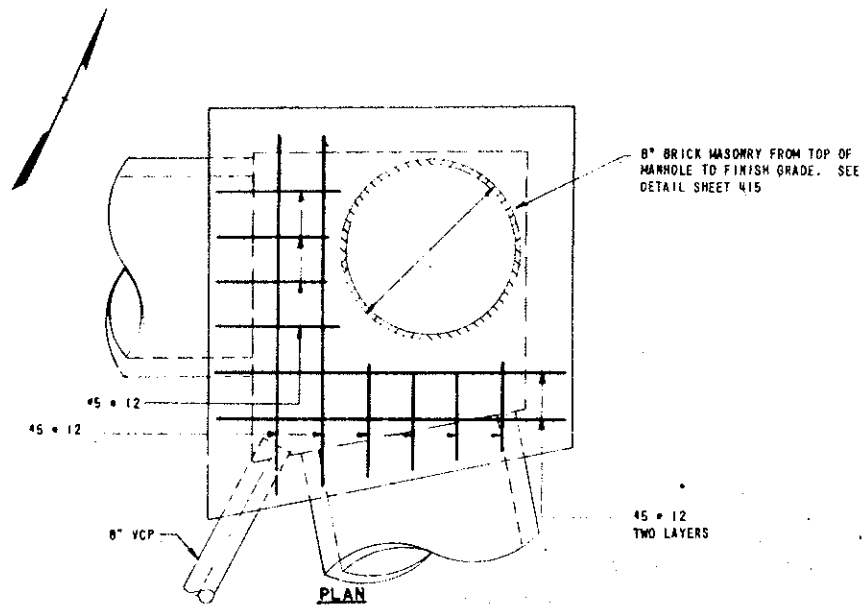
SECTION
MANHOLE C
1/2" = 1'-0"

- NOTES:
- INSIDE OF ALL CONCRETE MANHOLES TO BE PLASTIC LINED, AS INDICATED.
 - ALL NEW RCP CONNECTIONS TO CONCRETE MANHOLES SHALL BE MADE WITH A STEEL BELL RING FITTING. SEE DETAIL SHEET 417.
 - MANHOLE RISERS AND CONE SECTION SHALL BE OF BRICK. SEE DETAIL SHEET 415.

REVISION	DATE	BY

RICHITA, KANSAS
PLANT NO. 1 PUMPING STATION
MANHOLE DETAILS
ENVIRONMENTAL

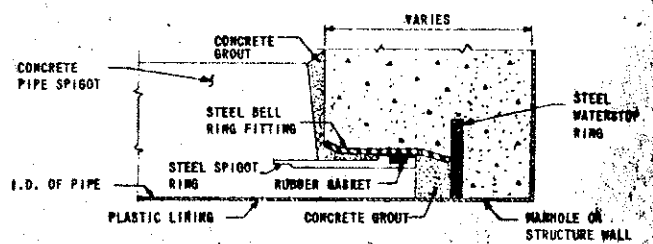
DESIGNER JGG	DRAWN RWV	DATE FEB 1978
		FILE NO. 75-1813
		SHEET NO. 418 OF 421



NOTE:
OUTSIDE CIRCUMFERENCE OF COVER AND THE INNER FACE AND SEAT OF RING TO BE MACHINE FIT.

WICHITA STANDARD MANHOLE RING AND COVER

NOT TO SCALE



- NOTES:
1. INSIDE OF ALL CONCRETE MANHOLES TO BE PLASTIC LINED, AS INDICATED.
 2. ALL RCP CONNECTIONS TO CONCRETE MANHOLES SHALL BE MADE WITH A STEEL BELL RING FITTING. SEE DETAIL THIS SHEET.
 3. MANHOLE RISERS AND CONE SECTION SHALL BE OF BRICK. SEE DETAIL SHEET 415.

WICHITA, KANSAS
PLANT NO. 1 PUMPING STATION
MANHOLE DETAILS
ENVIRONMENTAL

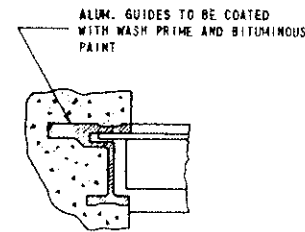
DESIGN	DATE
JGG	FEB. 1978
DRAW	FILE NO.
RWW	75-101A
	SHEET NO. 415
	OF 421

REVISION

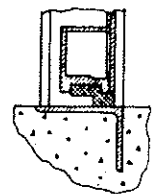
DATE

BY

SHELLEY-WILSON
ENGINEERS-ARCHITECTS-PLANNERS

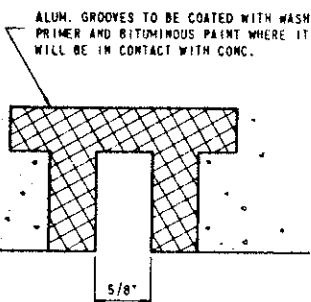


WALL GUIDE

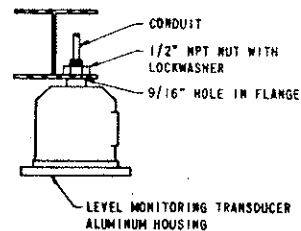


FLOOR GUIDE

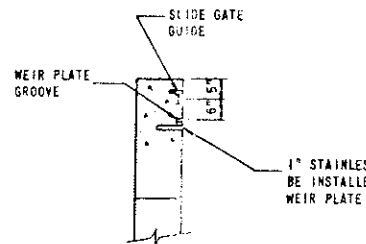
ALUM. STOP GATE FRAME
NOT TO SCALE



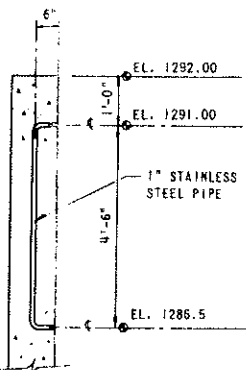
WEIR PLATE GROOVES
FULL SCALE



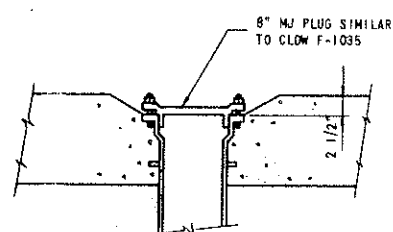
TRANS-DUCER-BEAM MOUNTING
NOT TO SCALE
(1 REQ'D.)



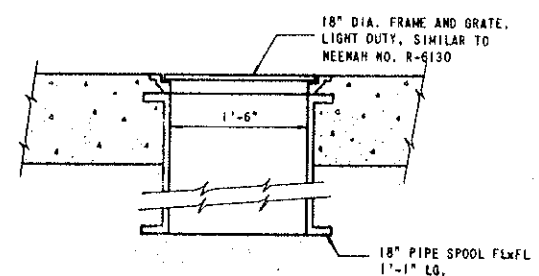
PLAN



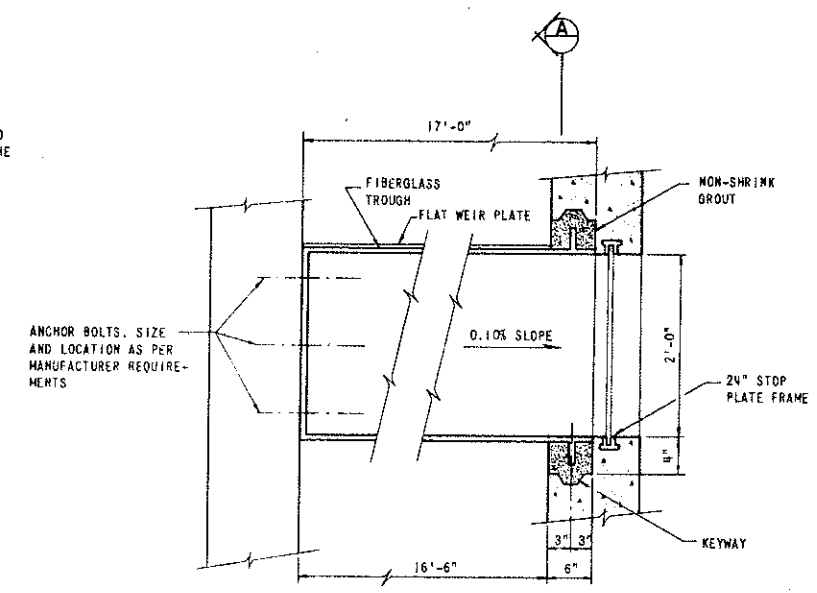
ELEVATION
WEIR VENT
1/2" = 1'-0"
(1 REQ'D.)



CLEANOUT DETAIL
1" = 1'-0"

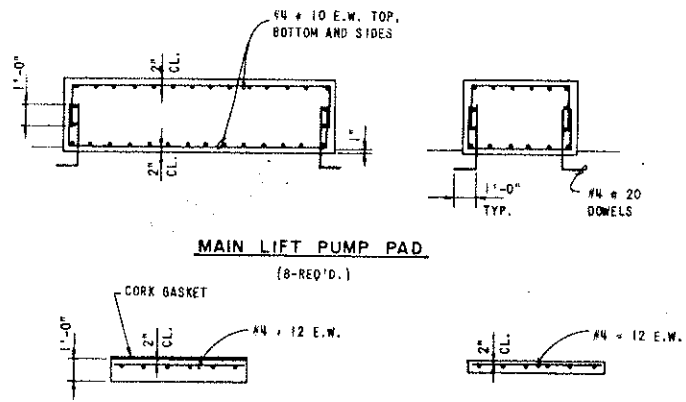


18" FLOOR DRAIN
1" = 1'-0"



PLAN

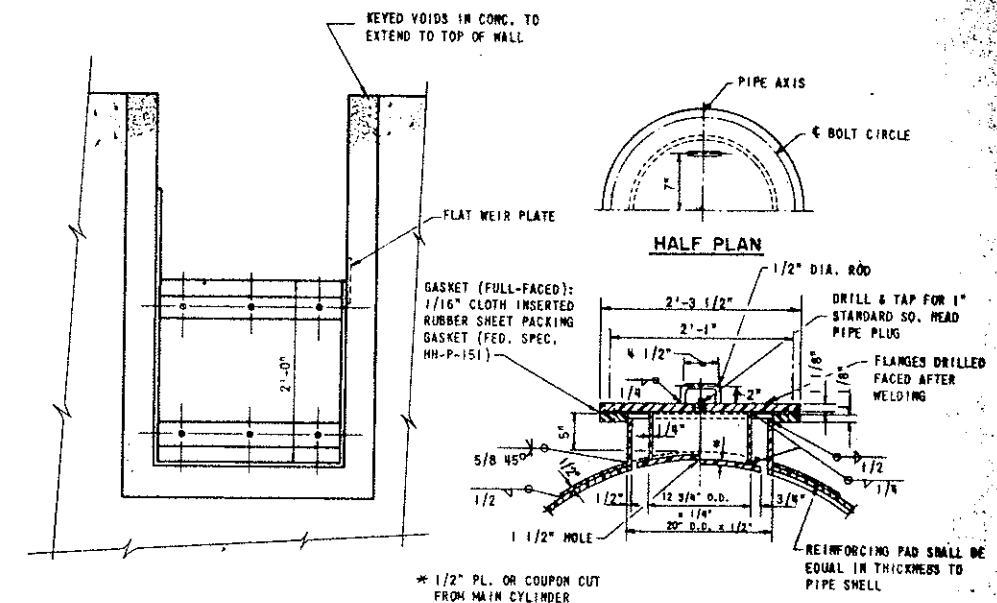
INBOARD EFFLUENT TROUGH
1" = 1'-0"
(4 REQ'D.)



MAIN LIFT PUMP PAD (8-REQ'D.)
BLOWER PAD (2-REQ'D.)
GRIT PUMP PAD (4-REQ'D.)

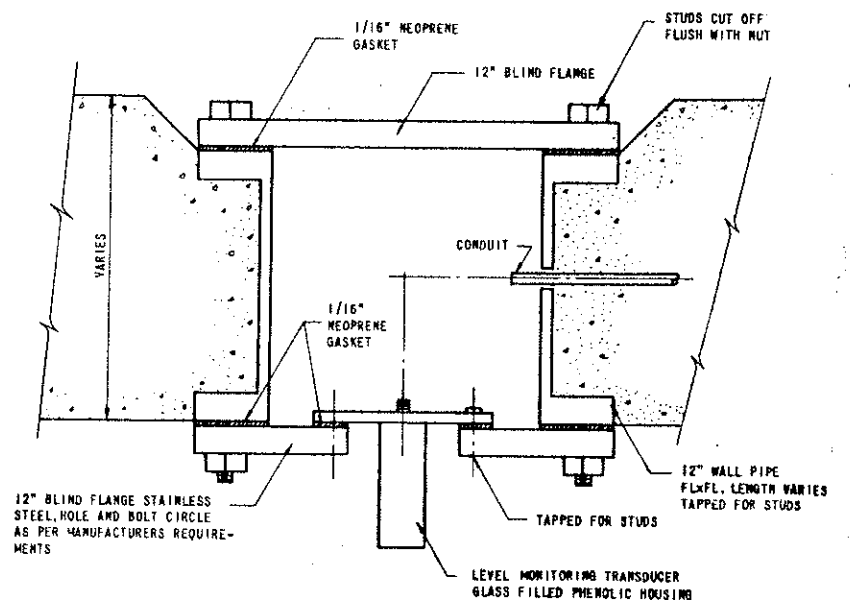
NOTE: LENGTH AND WIDTH OF PADS TO BE 1'-0" LARGER THAN SKID PROVIDED WITH EQUIPMENT. (6" CL. ALL AROUND) HEIGHT OF PAD AS REQ'D. TO MATCH INTAKE WITH ELEV. SHOWN ON DRAWINGS. SIZE AND LOCATION OF ANCHOR BOLTS AS PER MANUFACTURERS REQUIREMENTS.

EQUIPMENT MOUNTING PADS
1/4" = 1'-0"



SECTION A

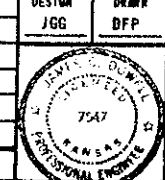
SECTION
HEADER MANHOLE



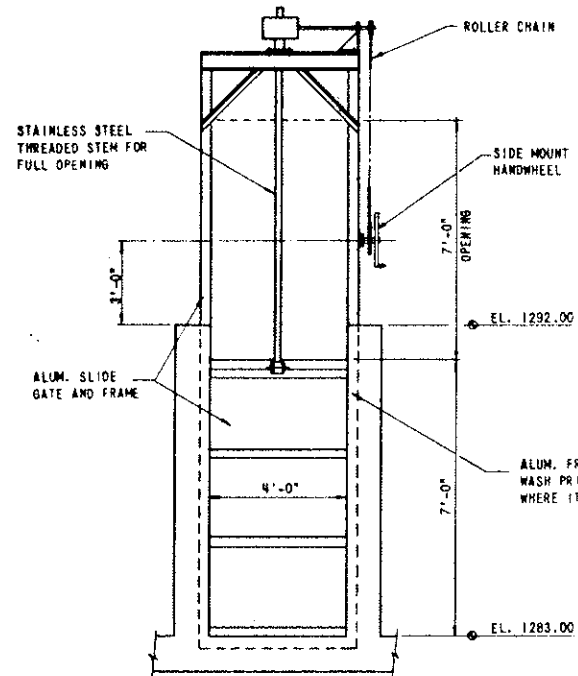
TRANS-DUCER-FLOOR MOUNTING
NOT TO SCALE
(4 REQ'D.)

WICHITA, KANSAS
PLANT NO. 1 PUMPING STATION
MISCELLANEOUS DETAILS
ENVIRONMENTAL

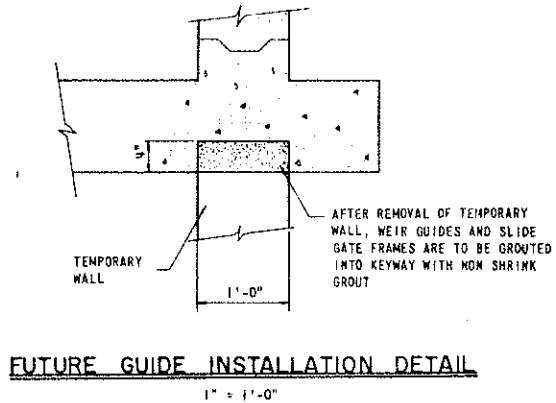
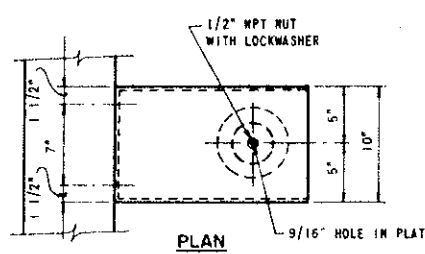
ADDED HEADER MANHOLE DETAIL	APR. 78	JGG	DESIGN	DRWR	DATE:
ADDED TRANSDUCER DETAIL			JGG	BFP	FEB. 1978
					FILE NO.
					75-161A
					SHEET NO. 418
					OF 42



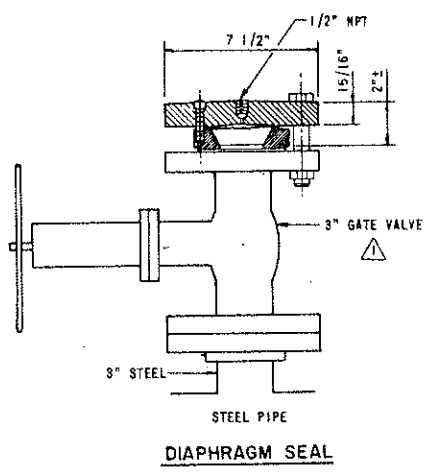
SHELLEY-WILSON
ENGINEERS-ARCHITECTS-PLANNERS
1001 W. 10TH ST. - WICHITA, KANSAS 67202



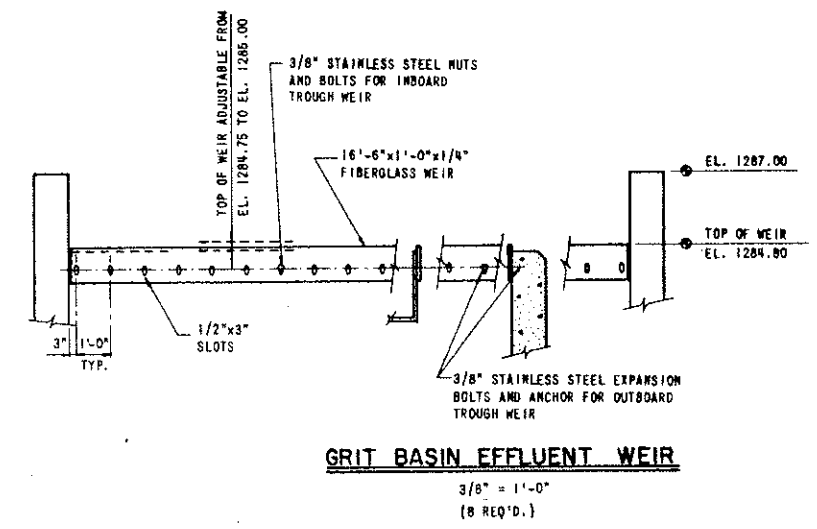
ELEVATION
SLIDE GATE DETAIL
NOT TO SCALE
(2 - REQ'D. WITH HANDWHEEL ON RT. SIDE)
(2 - REQ'D. WITH HANDWHEEL ON LT. SIDE)



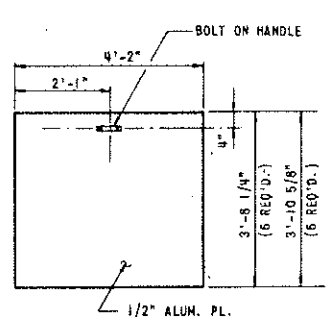
FUTURE GUIDE INSTALLATION DETAIL
1" = 1'-0"



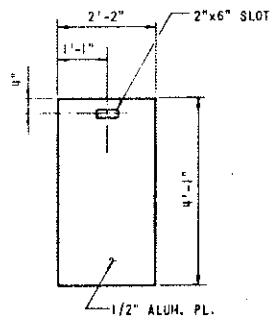
PRESSURE GAUGE MOUNTING FLANGE
NOT TO SCALE



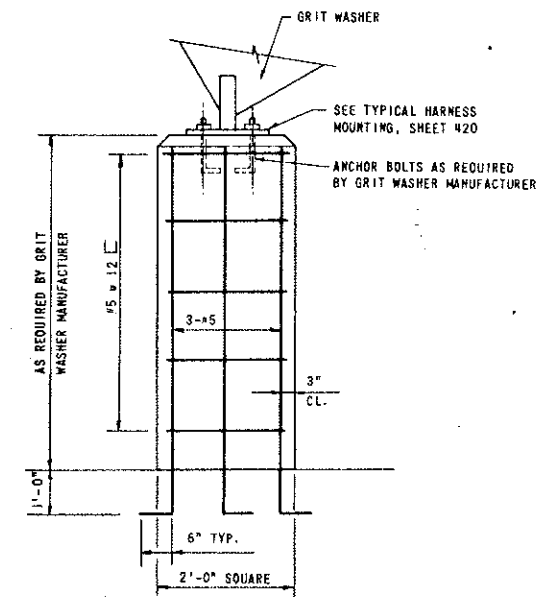
GRIT BASIN EFFLUENT WEIR
3/8" = 1'-0" (8 REQ'D.)



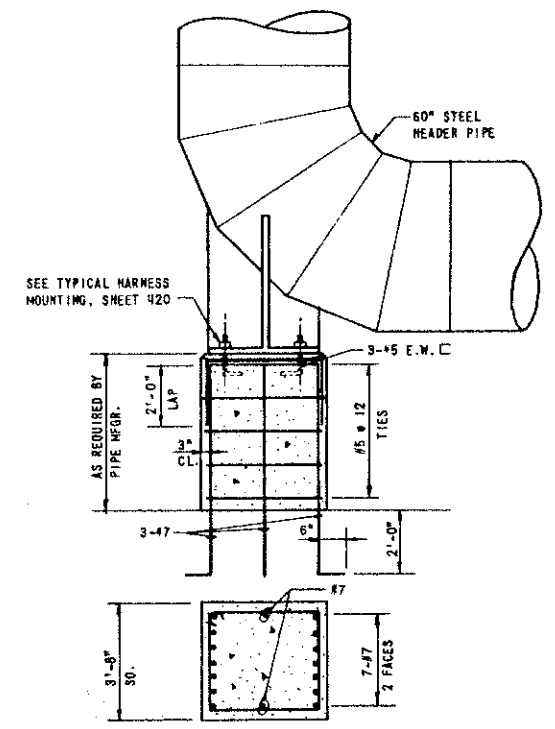
48" WEIR PLATE
1/2" = 1'-0" (12 REQ'D.)



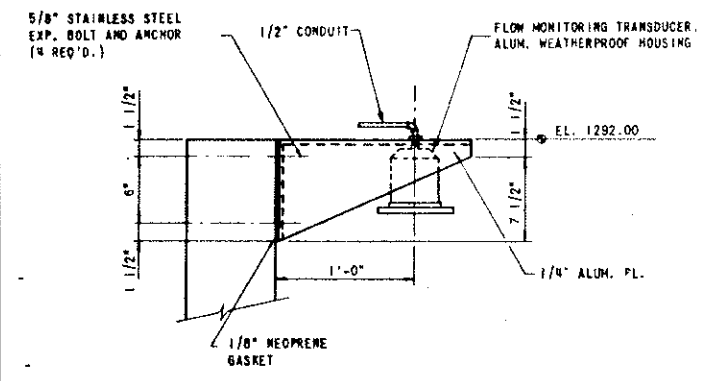
24" STOP PLATE
1/2" = 1'-0" (6 REQ'D.)



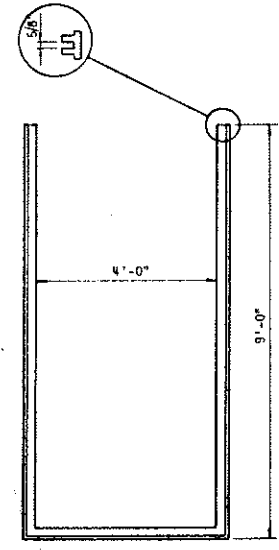
GRIT WASHER SUPPORT
3/4" = 1'-0"



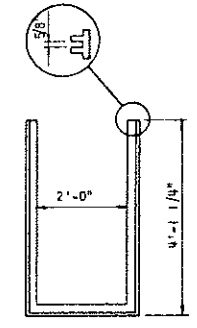
BASE ELBOW - 60" HEADER
3/8" = 1'-0" (2 REQ'D.)



ELEVATION
TRANSDUCER MOUNTING BRACKET
1 1/2" = 1'-0" (1 REQ'D.)



48" WEIR PLATE FRAME
1/2" = 1'-0" (4 REQ'D.)



24" STOP PLATE FRAME
1/2" = 1'-0" (4 REQ'D.)

WICHITA, KANSAS		PLANT NO. 1 PUMPING STATION		MISCELLANEOUS DETAILS		ENVIRONMENTAL	
DESIGN JGG		DRAWN DFP		DATE: FEB. 1978		FILE NO. 75-1871	
REVISION		DATE		BY		SHEET NO. 42	

ADD 3" GATE VALVE

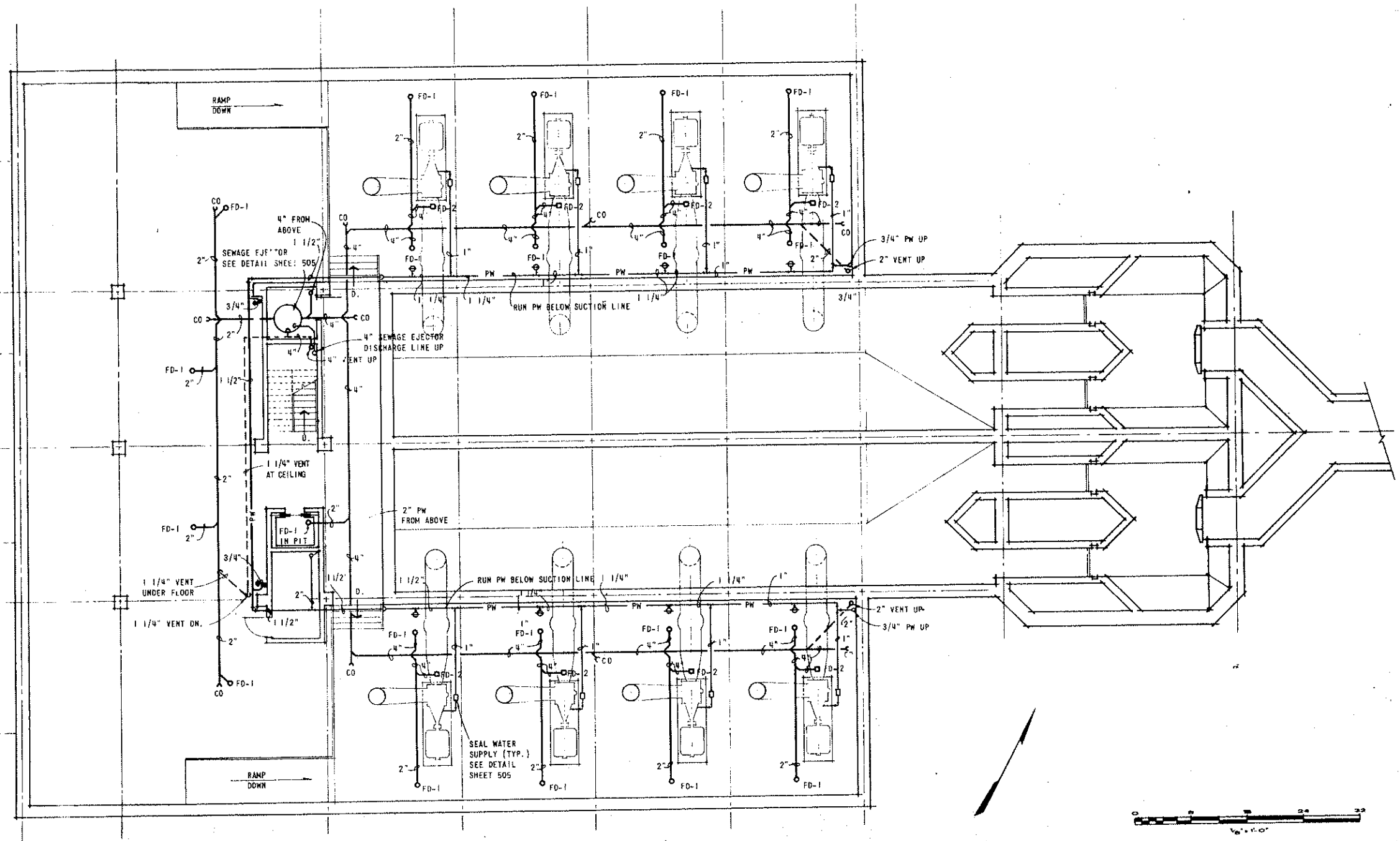
APR. 78 JGG

7547

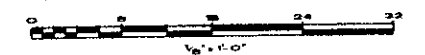
SHERRY-WILSON ENGINEERS-ARCHITECTS-PLANNERS

PLUMBING LEGEND

- WASTE PIPING
- - - VENT PIPING
- · - · - DOMESTIC COLD WATER
- · - · - DOMESTIC HOT WATER
- PW - PLANT WATER
- RD - ROOF DRAIN LINE
- SG - SEWER GAS
- FOS - FUEL OIL SUPPLY
- FOR - FUEL OIL RETURN
- FD-1 - FLOOR DRAIN
- CO - CLEAN OUT
- HOSE BIBB
- RISE, DROP IN LINE
- (R) - RISER IDENTIFICATION NUMBER
- (P-1) - PLUMBING FIXTURE IDENTIFICATION NUMBER
- VTR - VENT THROUGH ROOF
- GATE VALVE
- CHECK VALVE
- PLUG VALVE
- NON-FREEZE WALL HYDRANT



PUMP LEVEL FLOOR PLAN
1/8" = 1'-0"

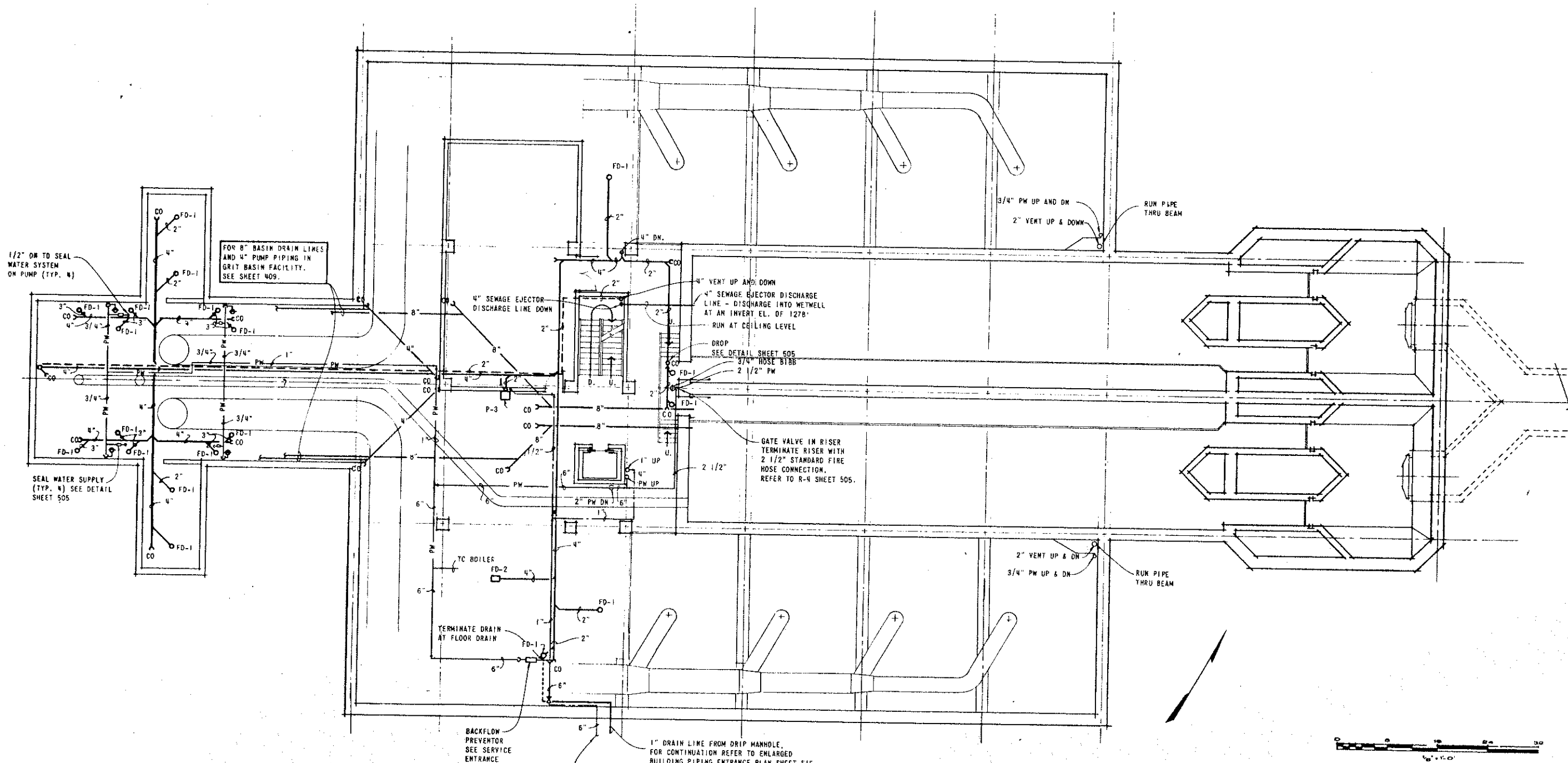


WICHITA, KANSAS
PLANT NO. 1 PUMPING STATION
PLUMBING PLAN PUMP LEVEL
MECHANICAL

DESIGN GDS	DRAWN JFB		DATE: FEB. 1978
			FILE NO. 75-181A
			SHEET NO. 501 OF 518

SHELLEY-WILSON
ENGINEERS-ARCHITECTS-PLANNERS
204 LADDA - WICHITA, KANSAS 67201

REVISION	DATE	BY



INTERMEDIATE LEVEL FLOOR PLAN
1/8" = 1'-0"

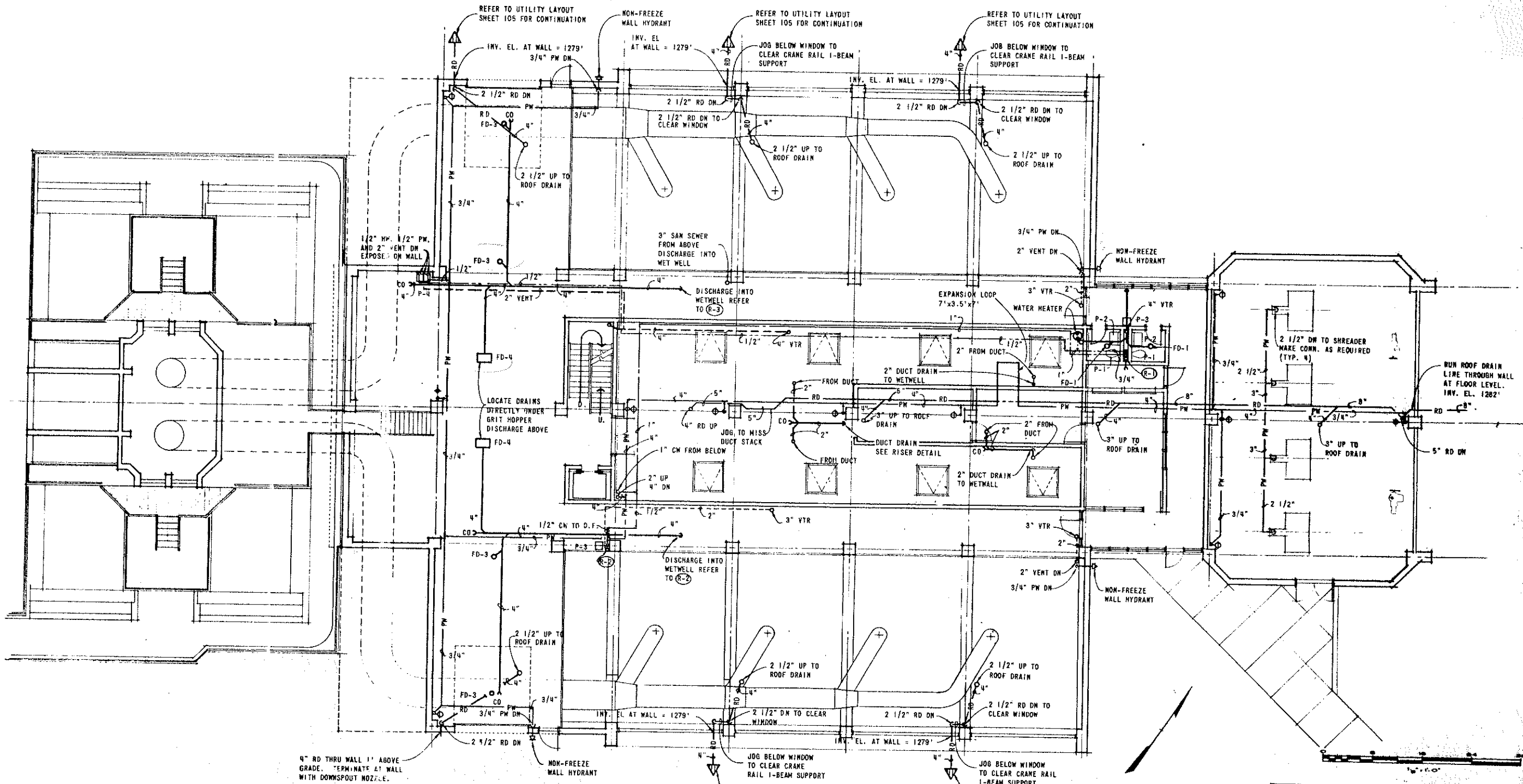


WICHITA, KANSAS
PLANT NO. 1 PUMPING STATION
PLUMBING PLAN INTERMEDIATE LEVEL
MECHANICAL

DESIGN GDS	DRAWN JFB	DATE: FEB. 1978
		FILE NO. 75-181A
		SHEET NO. 502 OF 516

SHELLEY-WILSON
ENGINEERS-ARCHITECTS-PLANNERS
204 LANARK BLDG. WICHITA, KANSAS 67201

REVISOR	DATE	BY

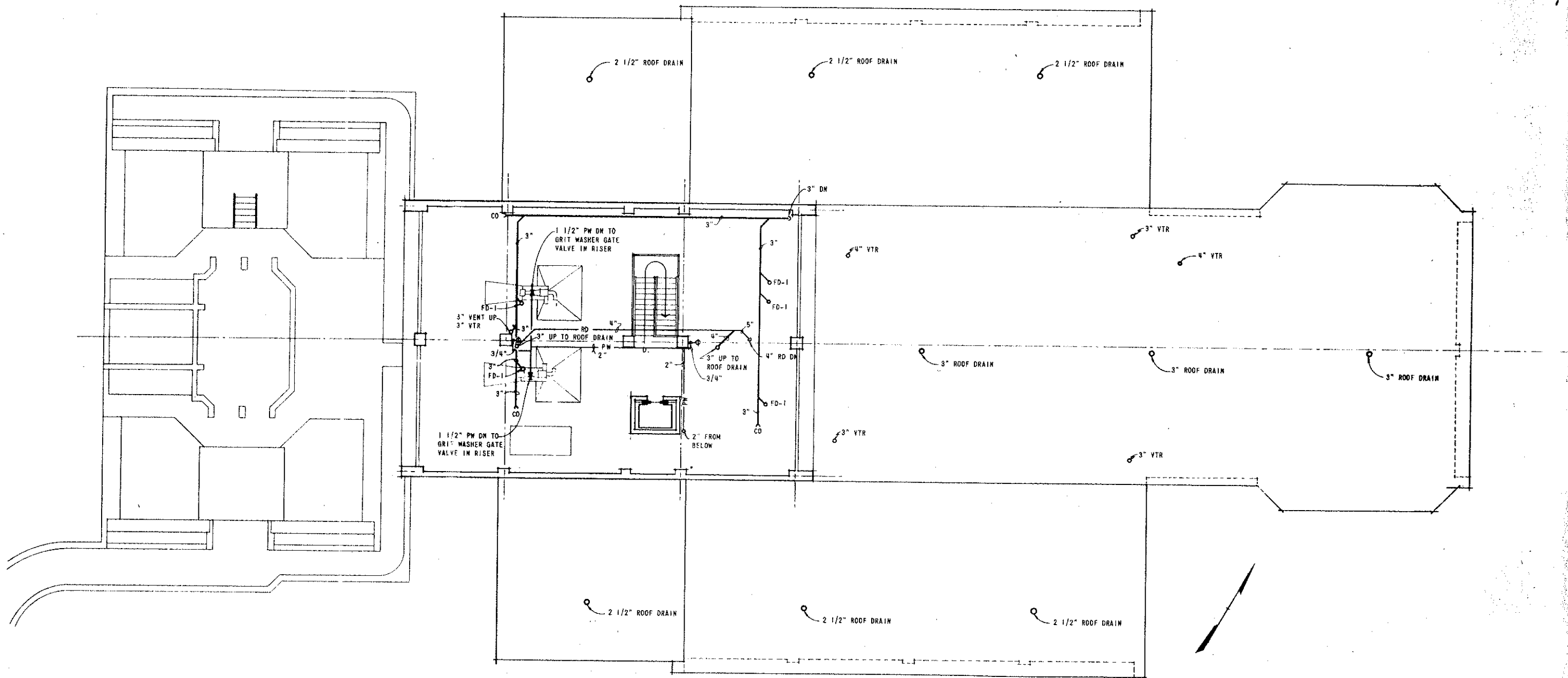


OPERATIONS LEVEL FLOOR PLAN
1/8" = 1'-0"

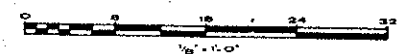
WICHITA, KANSAS
PLANT NO. 1 PUMPING STATION
PLUMBING PLAN OPERATIONS LEVEL
MECHANICAL

REVISION	DATE	BY



DESIGN GDS	DRAWN JFB	DATE: FEB. 1970
		FILE NO. 75-101A
SHELLEY-WILSON ENGINEERS-ARCHITECTS-PLANNERS 200 W. 10TH ST. WICHITA, KANSAS 67201		SHEET NO. 303 OF 518

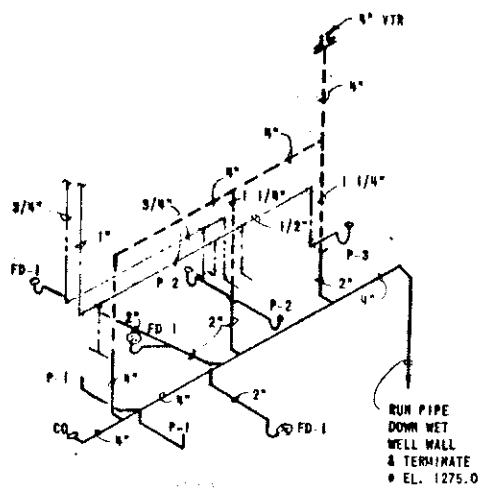


MEZZANINE LEVEL FLOOR PLAN
1/8" = 1'-0"

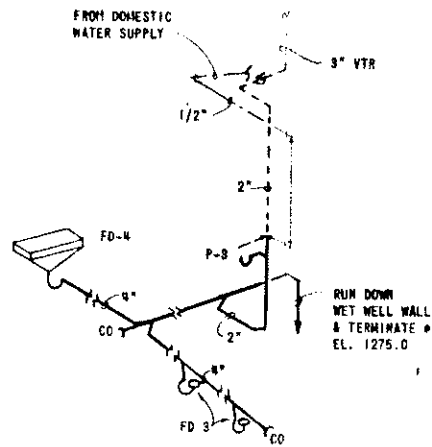


REVISION	DATE	BY

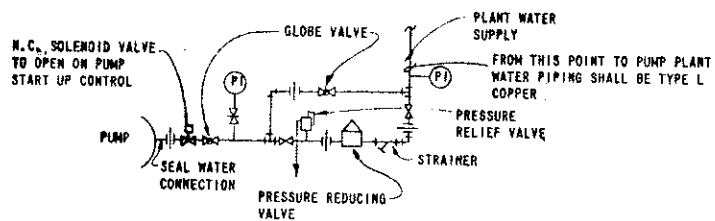
WICHITA, KANSAS		 SHELLEY-WILSON ENGINEERS-ARCHITECTS-PLANNERS <small>254 SOUTH WASHINGTON, WICHITA, KANSAS 67201</small>	DATE: FEB. 1978															
PLANT NO. 1 PUMPING STATION			FILE NO. 75-161A															
PLUMBING PLAN MEZZANINE LEVEL			SHEET NO. 504															
MECHANICAL			OF 518															
DESIGN GDS	DRAWN JFB	<table border="1"> <thead> <tr> <th>REVISION</th> <th>DATE</th> <th>BY</th> </tr> </thead> <tbody> <tr> <td> </td> <td> </td> <td> </td> </tr> <tr> <td> </td> <td> </td> <td> </td> </tr> <tr> <td> </td> <td> </td> <td> </td> </tr> <tr> <td> </td> <td> </td> <td> </td> </tr> </tbody> </table>		REVISION	DATE	BY												
REVISION	DATE	BY																



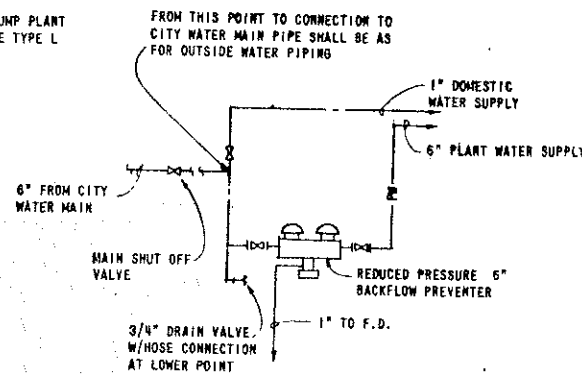
RISER DIAGRAM (R-1)
NO SCALE



RISER DIAGRAM (R-2)
NO SCALE

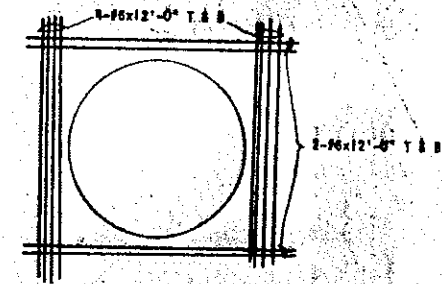


SEAL WATER CONNECTION DIAGRAM
NO SCALE

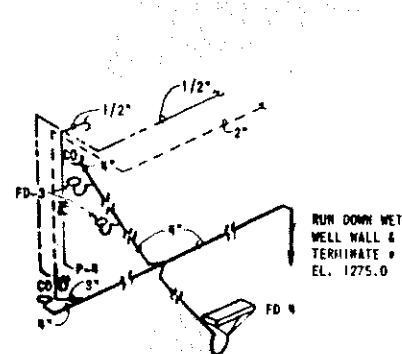


WATER SERVICE ENTRANCE DETAIL
NO SCALE

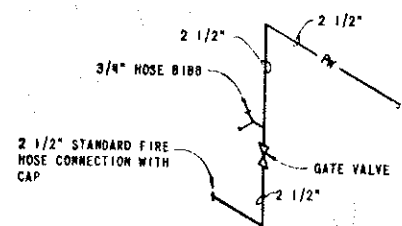
PLUMBING FIXTURE SCHEDULE					
MARK	ITEM	Ø	IN	WASTE	VENT
P-1	WATER CLOSET	4"	4"	4"	4"
P-2	LAVATORY	3/4"	1/2"	1/2"	1/2"
P-3	DRINKING FOUNTAIN	1/2"	1/2"	1/2"	1/2"
P-4	SERVICE SINK	1/2"	1/2"	4"	4"



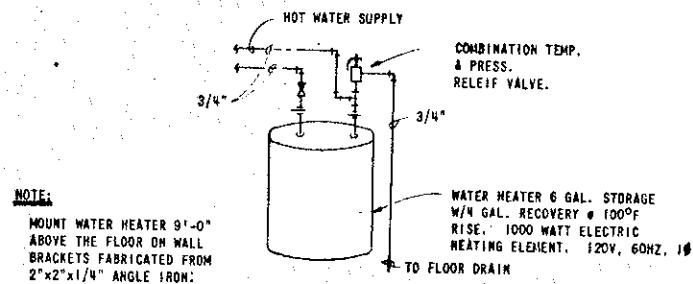
SUMP DETAIL TOP VIEW
NO SCALE



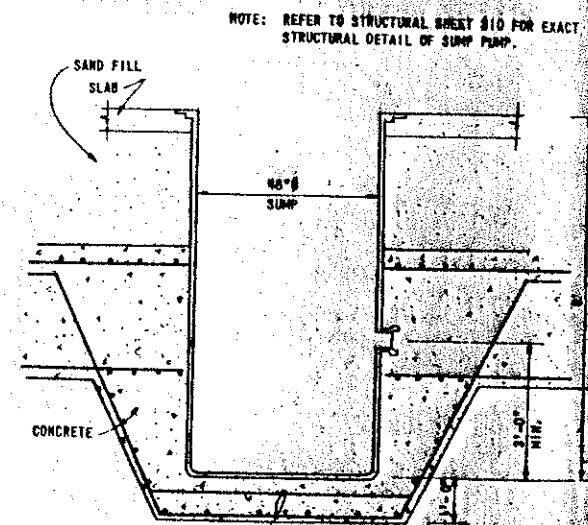
RISER DIAGRAM (R-3)
NO SCALE



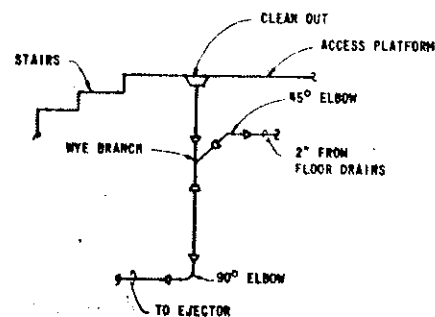
RISER DIAGRAM (R-4)
NO SCALE



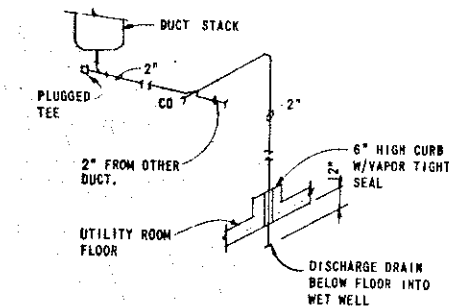
WATER HEATER PIPING DIAGRAM
NO SCALE



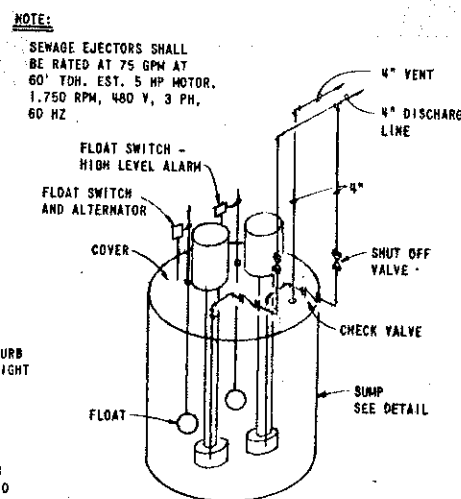
SUMP DETAIL SECTION
NO SCALE



DROP DETAIL AT WET WELL
CAT WALK ACCESS DOORS
NO SCALE



RISER AT DUCTWORK DRAIN
NO SCALE



SEWAGE EJECTOR PIPING DIAGRAM
NO SCALE

NOTE: REFER TO STRUCTURAL SHEET S10 FOR EXACT STRUCTURAL DETAIL OF SUMP PUMP.

NOTE:
SEWAGE EJECTORS SHALL BE RATED AT 75 GPM AT 60' TOH. EST. 5 HP MOTOR. 1.750 RPM, 480 V, 3 PH, 60 HZ

NOTE:
MOUNT WATER HEATER 9'-0" ABOVE THE FLOOR ON WALL BRACKETS FABRICATED FROM 2"x2"x1/4" ANGLE IRON.

WICHITA REMSAS
PLANT NO. 1 PUMPING STATION
RISER DIAGRAM AND DETAILS
MECHANICAL

DESIGN	DATE	BY
005	1/10	JTB

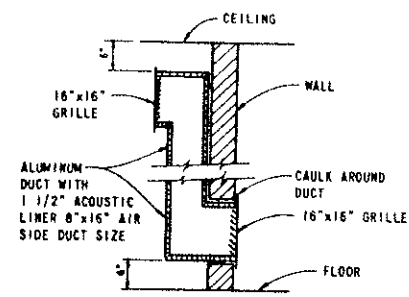
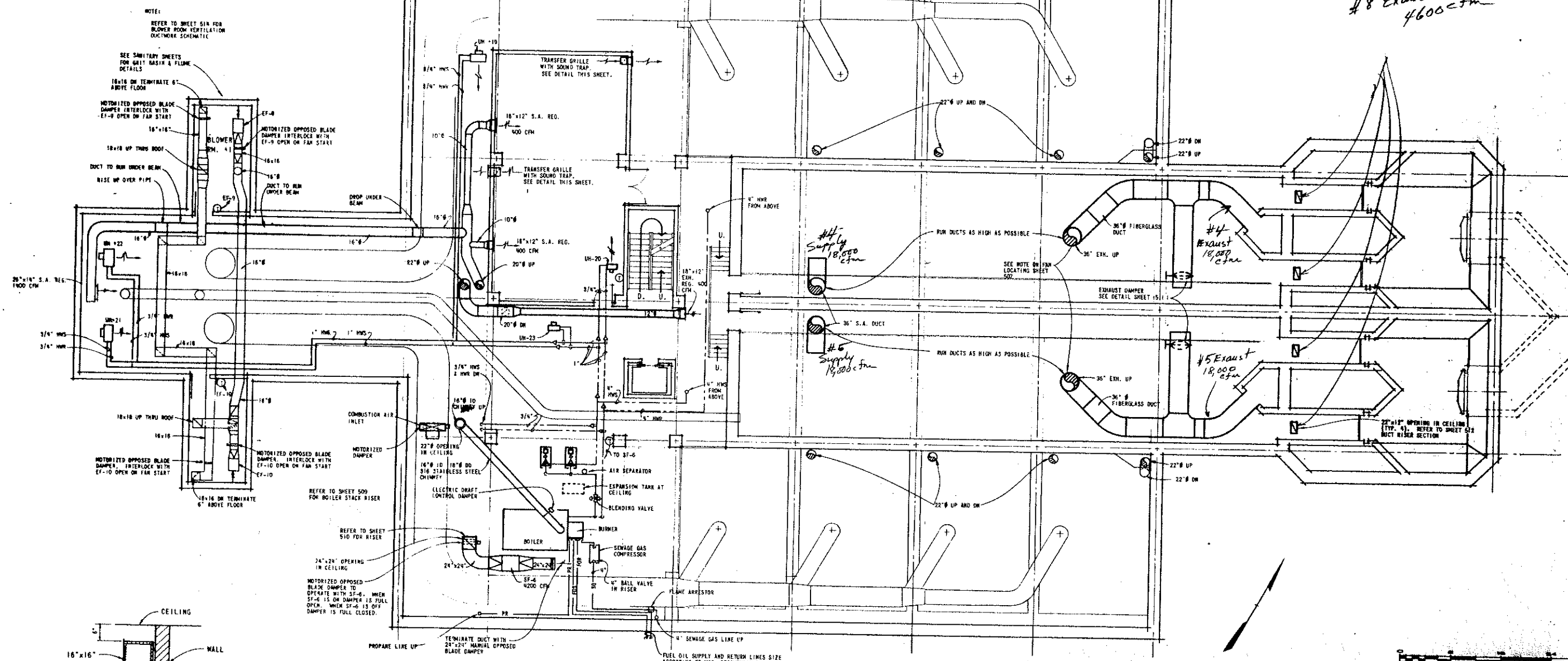
REVISION

NO.	DATE	BY

FILE NO. 70-1000
SHEET NO. 001
OF 011

Wet Well Areas
 #4, #5 #8 Exhaust Fans
 40,600 cfm total

#8 Exhaust Fan Ducts
 4600 cfm



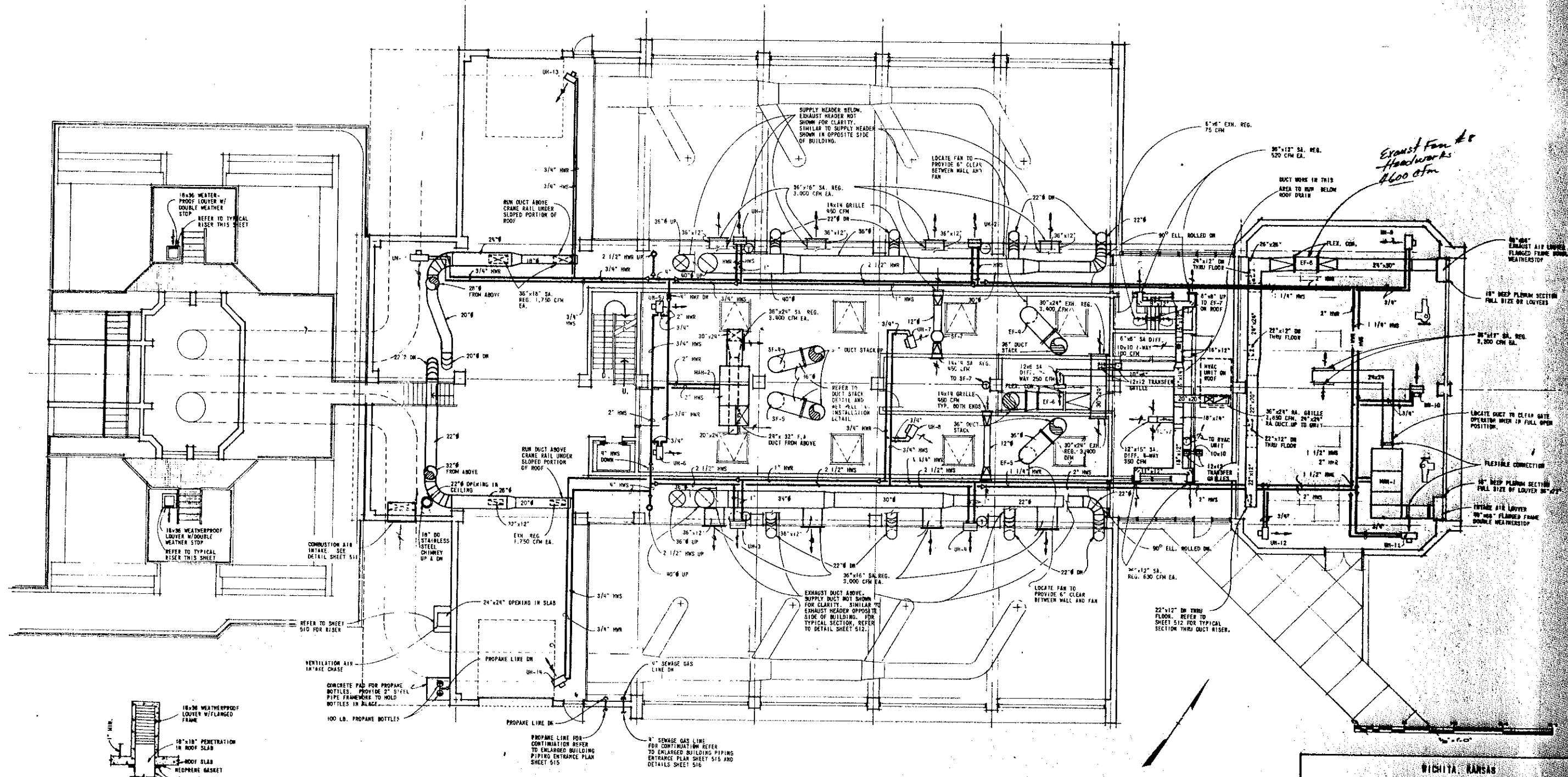
INTERMEDIATE LEVEL FLOOR PLAN
 1/8" = 1'-0"

REVISION	DATE	BY
RELOCATION OF BOILER STACK	4 APRIL 70	GDS

WICHITA, KANSAS
 PLANT NO. 1 PUMPING STATION
 HVAC PLAN INTERMEDIATE LEVEL
 MECHANICAL

DESIGN GDS	DRWR JFB	DATE FEB 1970
		FILE NO. 75-101A
		SHEET NO. 507 OF 510

NOTE:
 ROOFTOP HVAC UNIT AS SHOWN IS SIZED TO SUPPLY 100 CFM IN EXCESS OF THE RETURN AND EXHAUST AIR QUANTITIES TO MAINTAIN THE OFFICE AREA AT A POSITIVE PRESSURE WITH RESPECT TO THE REST OF THE BUILDING. THE EXHAUST FAN (EF-4) IN THE BAR SCREEN ROOM IS SIZED TO REMOVE 300 CFM MORE THAN IS SUPPLIED TO THE ROOM TO PROVIDE A NEGATIVE PRESSURE WITH RESPECT TO THE REST OF THE BUILDING. SYSTEM SHALL BE BALANCED TO PREVENT FLOW OF AIR FROM THE BAR SCREEN ROOM INTO THE OFFICE AREA.



*Exhaust Fan to
 Headquarters
 4600 CFM*

TYPICAL RISER AT BLOWER ROOM INTAKE AND EXHAUST LOUVER
 1/4" = 1'-0"

OPERATIONS LEVEL FLOOR PLAN
 1/8" = 1'-0"

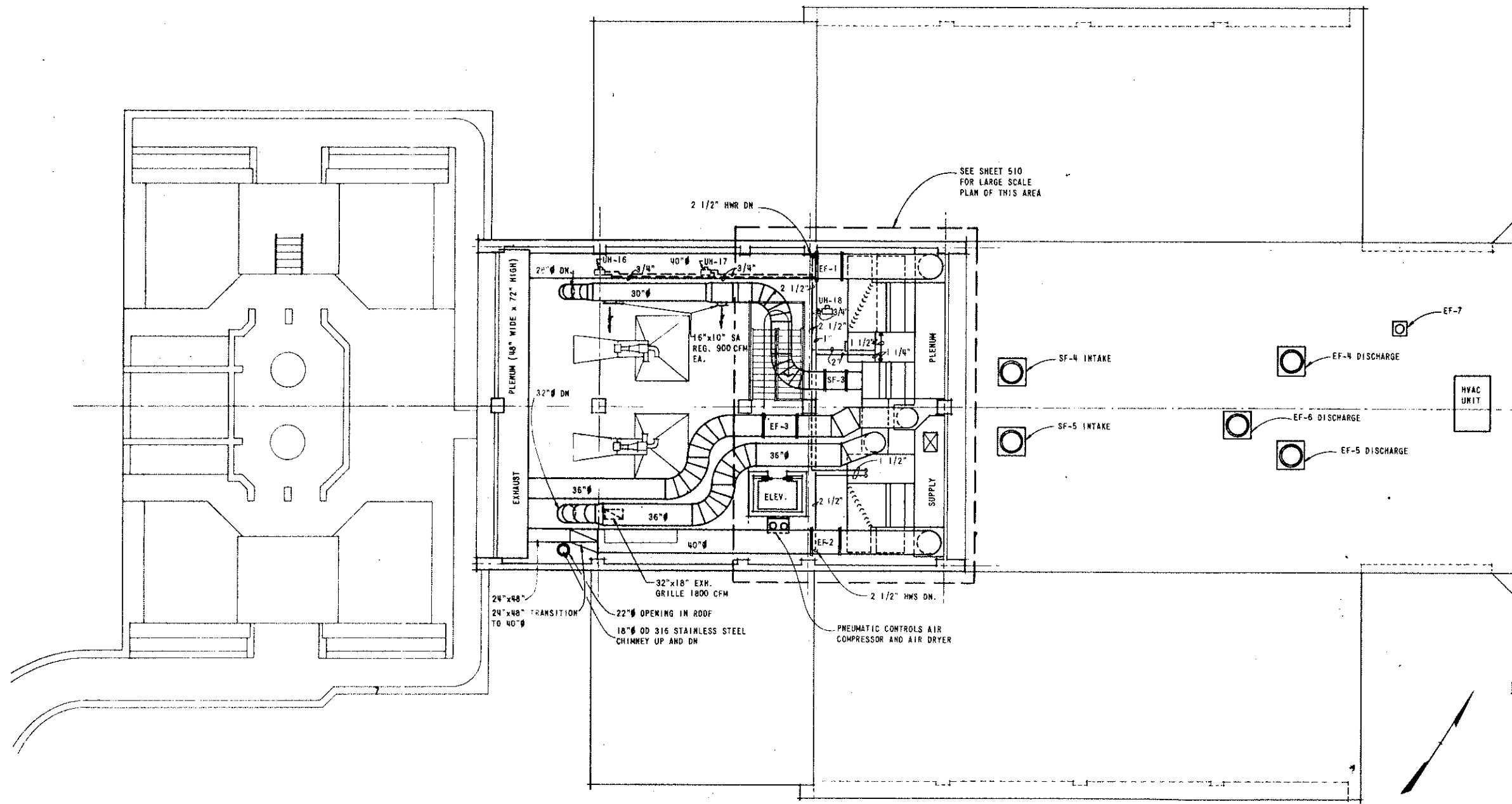
WICHITA, KANSAS
 PLANT NO. 1 PUMPING STATION
 HVAC PLAN OPERATIONS LEVEL
 MECHANICAL

DESIGN	GDS	DRAWN	JFB	DATE:	FEB 1977
				FILE NO.:	78-101A
				SHEET NO.:	200

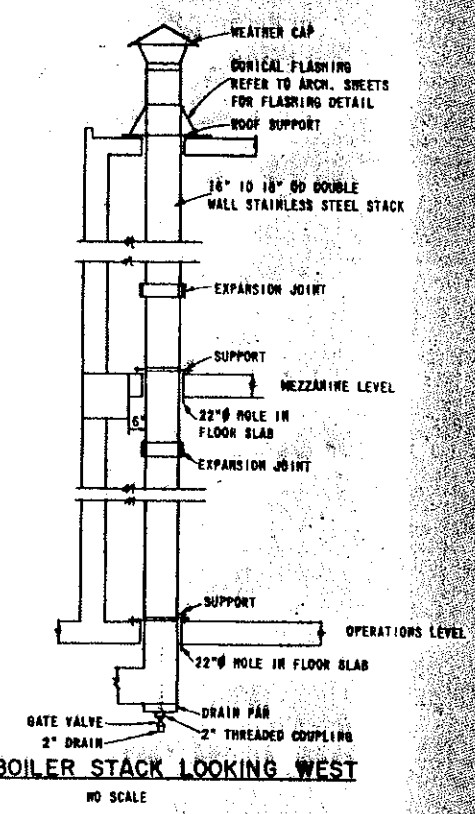
RELOCATION OF BOILER STACK 4 APRIL 78 GDS

REVISION DATE BY

SHELLEY-WILSON
 ENGINEERS-ARCHITECTS-PLANNERS



MEZZANINE LEVEL FLOOR PLAN
1/8" = 1'-0"



RISER AT BOILER STACK LOOKING WEST
NO SCALE

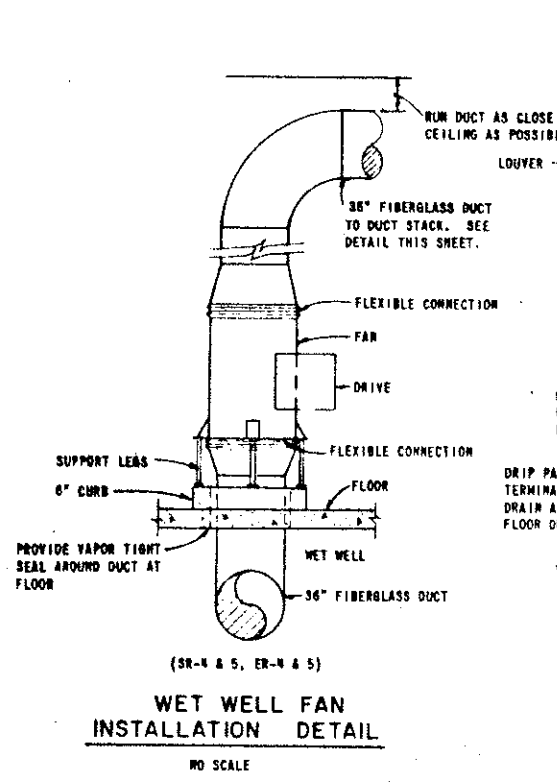
WICHITA, KANSAS
PLANT NO. 1 PUMPING STATION
HVAC PLAN MEZZANINE LEVEL
MECHANICAL

DESIGN GDS	DRAWN JFB	DATE: FEB. 1978
BOILER STACK DETAIL		4 APRIL 78 GDS
RELOCATION OF BOILER STACK		4 APRIL 78 GDS
REVISION	DATE	BY

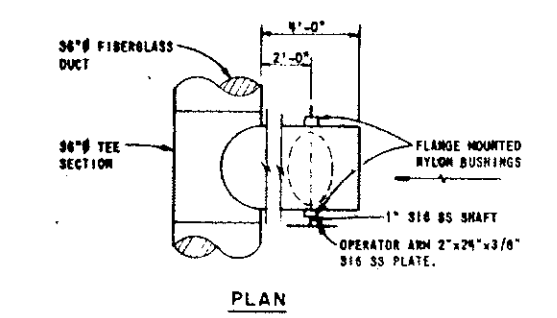
SHELLEY-WILSON
ENGINEERS-ARCHITECTS-PLANNERS

FILE NO. 78-101A
SHEET NO. 500 OF 510

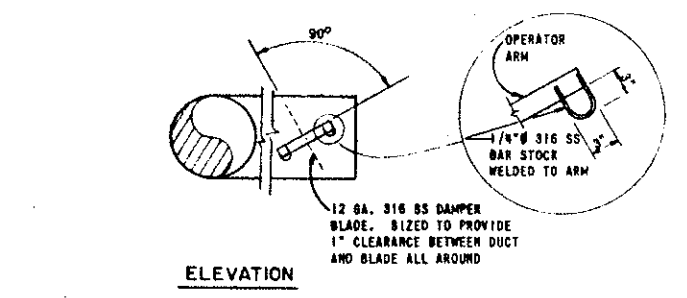
BOILER STACK DETAIL	4 APRIL 78	GDS
RELOCATION OF BOILER STACK	4 APRIL 78	GDS
REVISION	DATE	BY



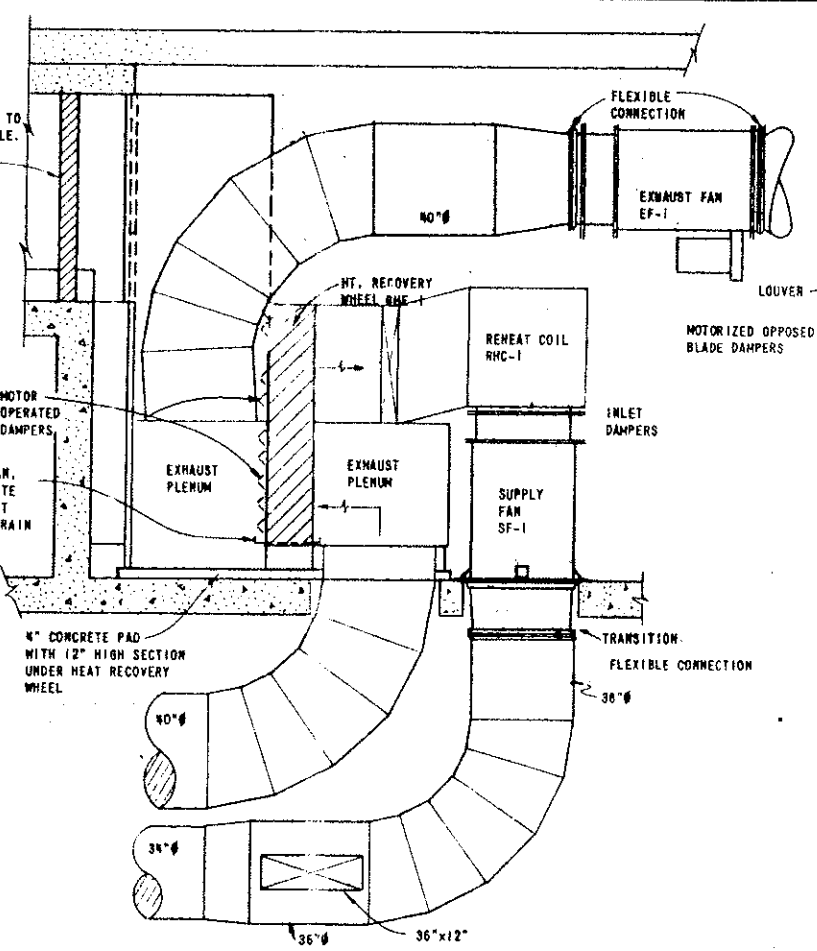
**WET WELL FAN
INSTALLATION DETAIL**
NO SCALE



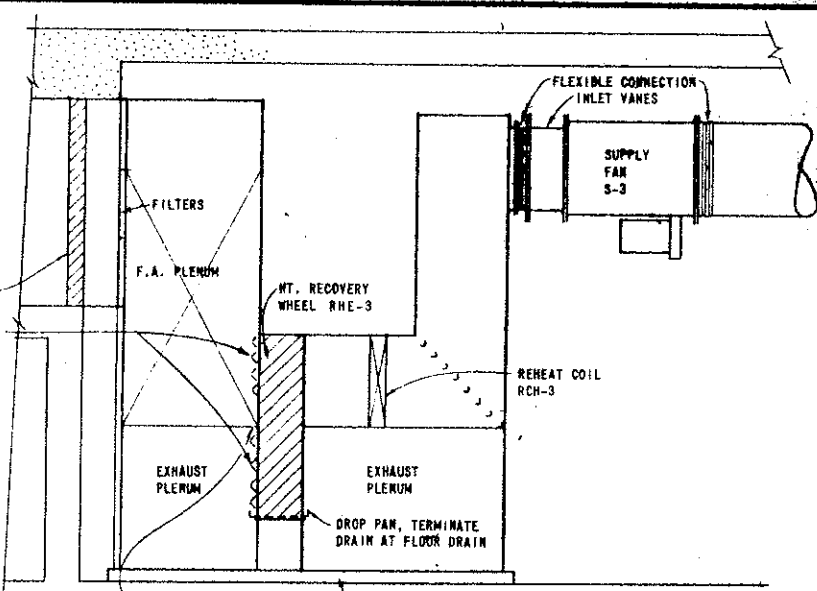
WET WELL EXHAUST DAMPER DETAIL
NO SCALE



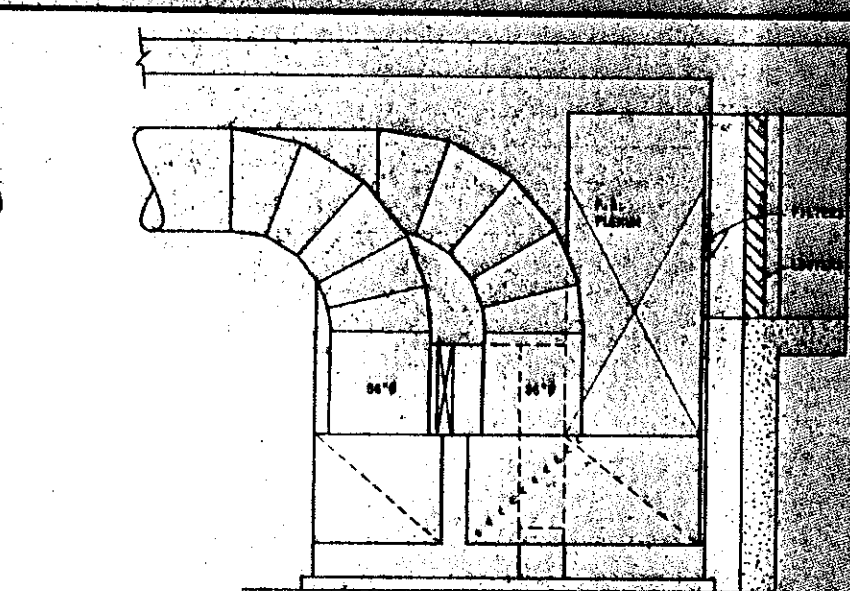
WET WELL EXHAUST DAMPER DETAIL
NO SCALE



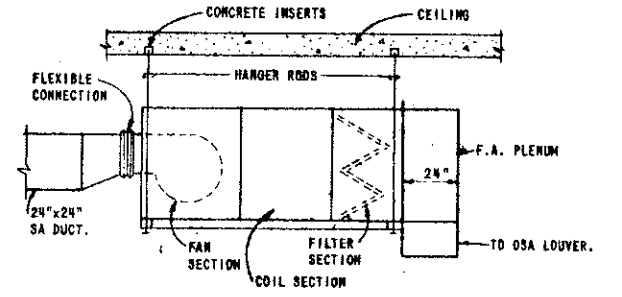
SECTION A
510



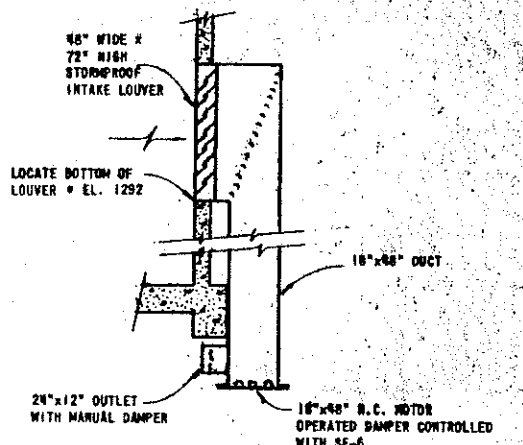
SECTION B
510



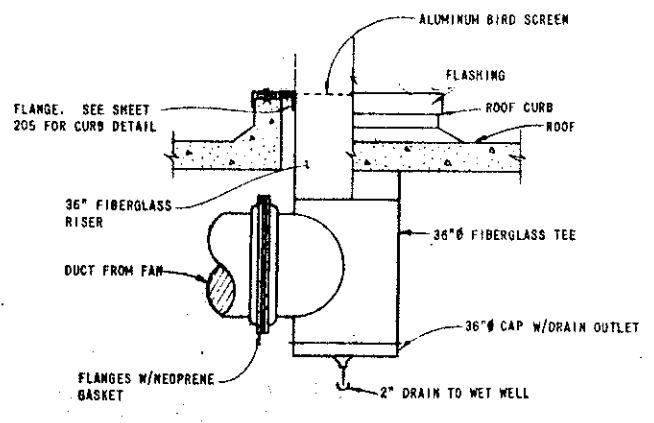
SECTION C
510



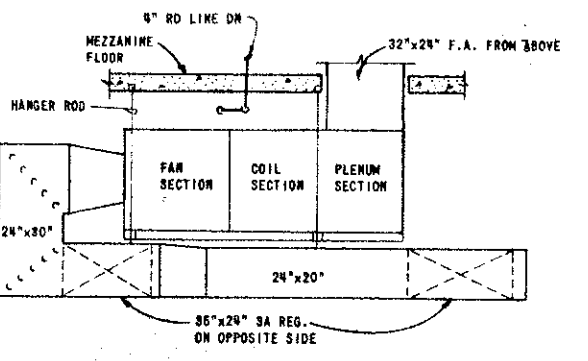
ELEVATION AT MAU-1
NO SCALE




COMBUSTION AIR INTAKE DETAIL
NO SCALE

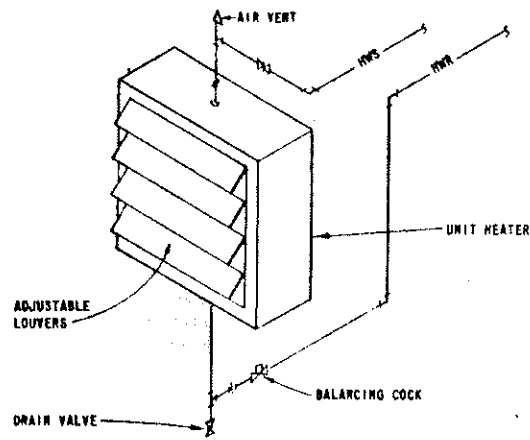


DUCT STACK DETAIL
NO SCALE

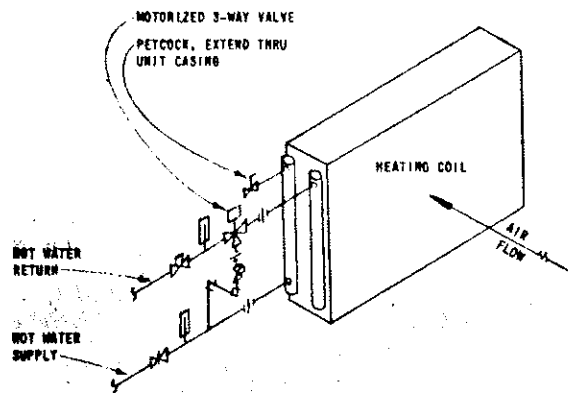


ELEVATION AT MAU-2
NO SCALE

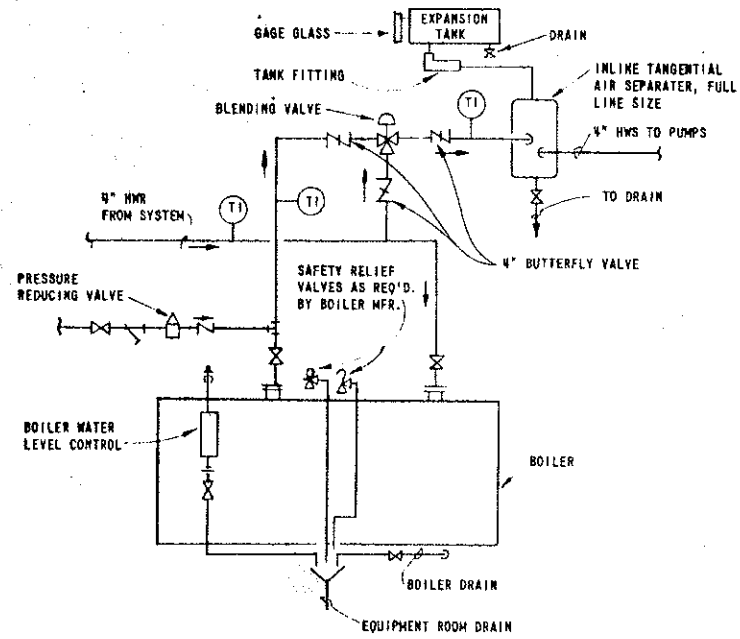
WICHITA, KANSAS PLANT NO. 1 PUMPING STATION HVAC DETAILS MECHANICAL		
DESIGN GDS	DRAWN RAL	DATE: FEB 21 1974
		FILE NO. 75-1012
SHELLEY-WILSON ENGINEERS-ARCHITECTS-PLANNERS		SHEET NO. 511 OF 515
REVISION	DATE	BY



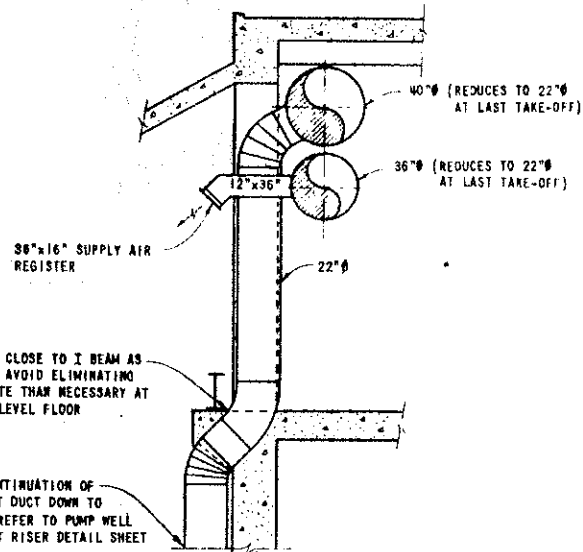
UNIT HEATER PIPING DIAGRAM
NO SCALE



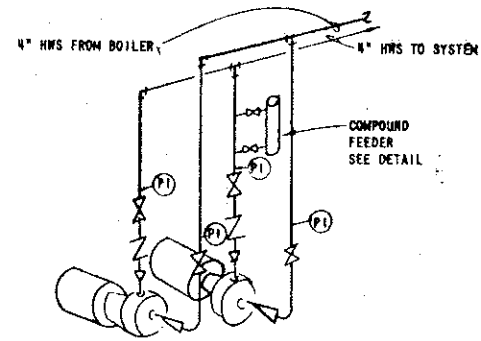
HEATING COIL PIPING DIAGRAM
NO SCALE



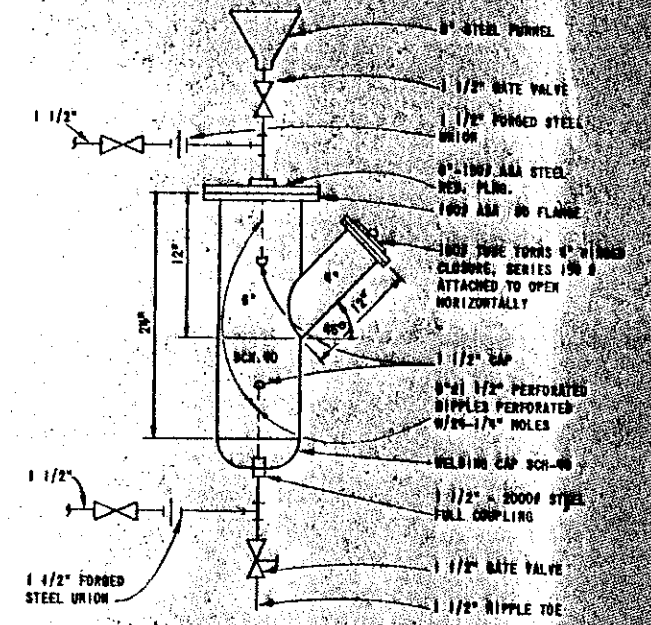
BOILER PIPING SCHEMATIC
NO SCALE



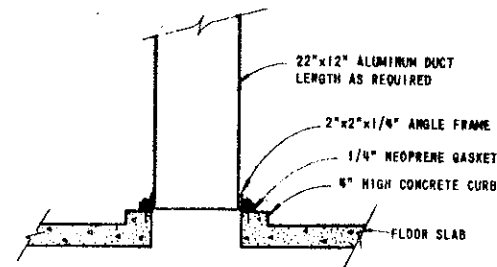
TYPICAL PUMP WELL EXHAUST DUCT SECTION
1/4" = 1'-0"



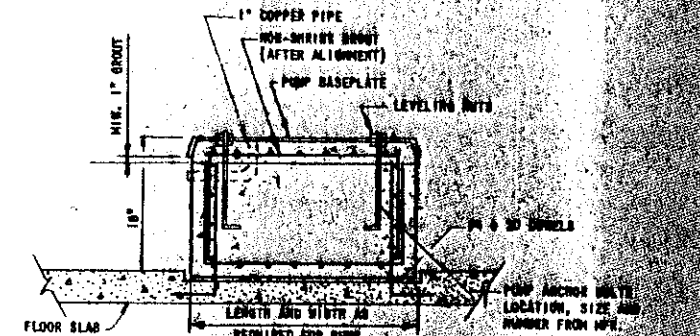
HOT WATER CIRCULATING PUMP PIPING DIAGRAM
NO SCALE



COMPOUND FEEDER
NO SCALE



DUCT RISER SECTION
BAR SCREEN ROOM
NO SCALE

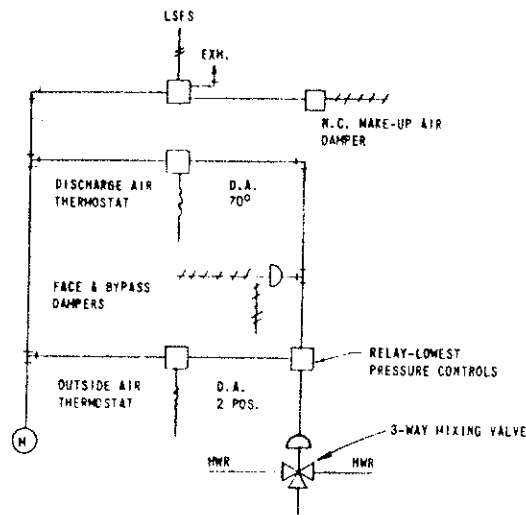


HOT WATER CIRCULATING PUMP FOUNDATION DETAIL
NO SCALE

REVISION				DATE	BY

DESIGN	DATE	DATE	DATE

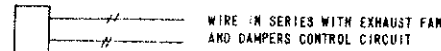
RICHITA, KANSAS PLANT NO. 1 PUMPING STATION PIPING SCHEMATICS MECHANICAL		DATE: FEB 1971
		FILE NO: 78-1174
SHEET NO. 117		OF 117



MAKE UP AIR HEATER CONTROL, MAH-1 & 2

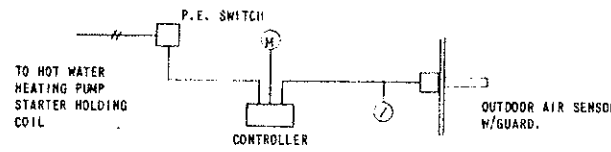
SEQUENCE OF OPERATION: FAN SHALL BE STARTED WITH ITS RESPECTIVE EXHAUST FAN. WHEN OUTSIDE AIR IS ABOVE 40°F., DISCHARGE AIR THERMOSTAT CONTROLS FACE AND BYPASS DAMPERS AND HOT WATER VALVE TO MAINTAIN TEMPERATURE. WHEN OUTSIDE AIR TEMPERATURE IS BELOW 40°F., OUTSIDE AIR THERMOSTAT OPENS WATER VALVE, DISCHARGE AIR THERMOSTAT CONTROLS FACE AND BYPASS DAMPERS TO MAINTAIN DISCHARGE AIR TEMPERATURE.

2-STAGE COOLING THERMOSTAT



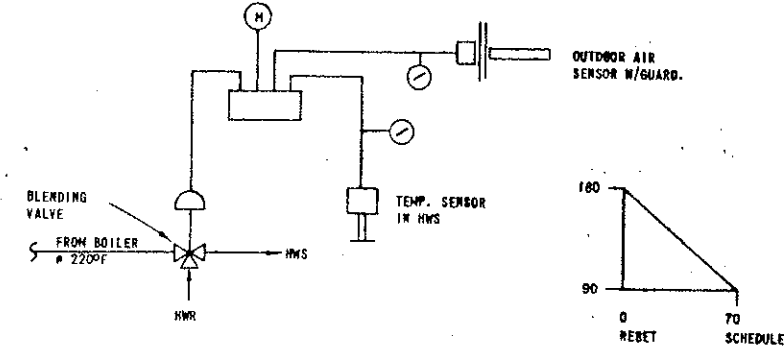
BOILER ROOM VENTILATION CONTROL

SEQUENCE OF OPERATION: ON A RISE IN TEMPERATURE, THE EXHAUST FAN STARTS AT LOW SPEED AND THE MOTOR OPERATED SUPPLY DAMPERS OPEN. ON A FURTHER RISE IN TEMPERATURE, THE EXHAUST FAN GOES TO HIGH SPEED. THE REVERSE SEQUENCE OCCURS ON A TEMPERATURE FALL.



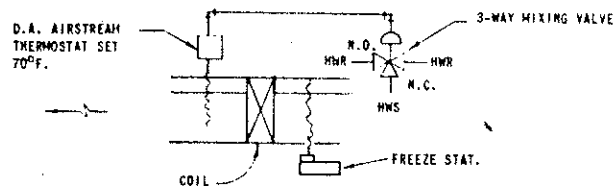
HOT WATER HEATING PUMP CONTROL

SEQUENCE OF OPERATION: TURN PUMP ON AT 55°F. OUTSIDE AIR TEMPERATURE. TURN PUMP OFF AT 60°F.



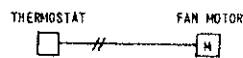
HOT WATER RESET CONTROL

SEQUENCE OF OPERATION: A SENSOR SENSING THE SUPPLY WATER TEMPERATURE DOWN STREAM OF THE BLENDING VALVE AND A SENSOR SENSING THE OUTDOOR AIR TEMPERATURE SHALL ACT THROUGH A MASTER CONTROLLER TO POSITION THE BLENDING VALVE TO MAINTAIN THE DESIRED WATER TEMPERATURE SUPPLY SCHEDULE. THE SUPPLY WATER TEMPERATURE SHALL BE INCREASED AS THE OUTDOOR AIR TEMPERATURE DECREASES, ACCORDING TO THE RESET SCHEDULE.



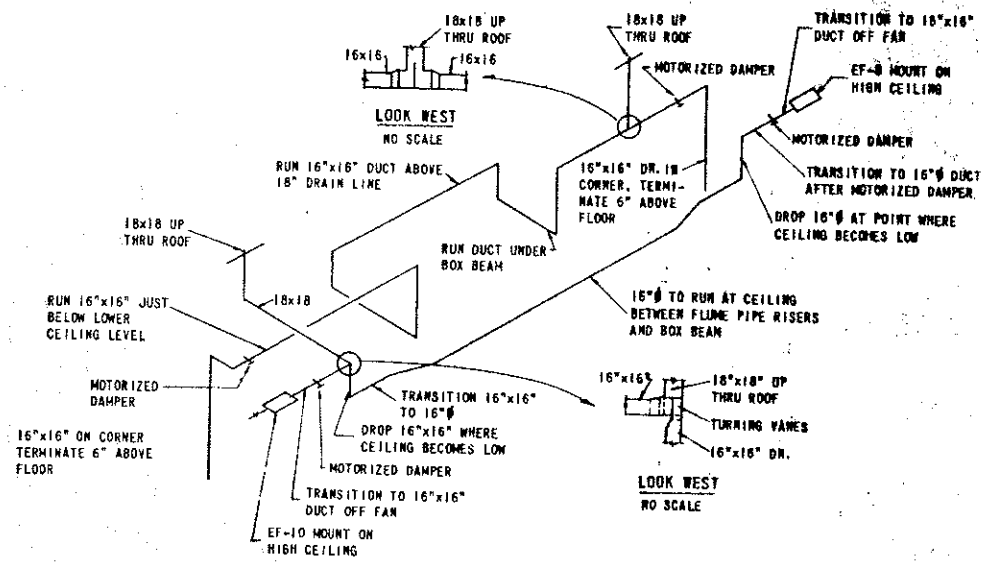
REHEAT COIL CONTROL, RHC 1, 2 & 3

SEQUENCE OF OPERATION: AIRSTREAM THERMOSTAT MODULATES THE 3-WAY MIXING VALVE TO MAINTAIN ITS SETPOINT. FREEZE-STAT DE-ENERGIZES SUPPLY AND EXHAUST FANS WHEN TEMPERATURE ENTERING COIL DROPS TO 40°F.

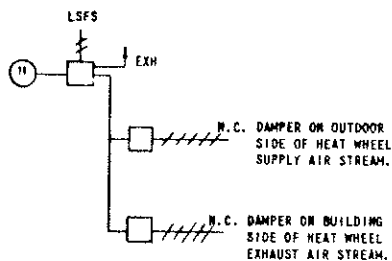


UNIT HEATER CONTROL

SEQUENCE OF OPERATION: THERMOSTAT SHALL CYCLE UNIT HEATER FAN IN RESPONSE TO A FALL IN TEMPERATURE. THERMOSTATS SHALL BE EITHER MOUNTED ON THE UNIT OR REMOTE MOUNTED AS INDICATED ON THE UNIT HEATER SCHEDULE.



BLOWER ROOM VENTILATION DUCTWORK SCHEMATIC



ROTARY HEAT EXCHANGER DAMPER CONTROL RHE 1, 2 & 3

SEQUENCE OF OPERATION: WHEN SYSTEM IS ENERGIZED THE SUPPLY AND EXHAUST FANS TURN ON AND DAMPERS GO TO FULL OPEN POSITION. WHEN SYSTEM IS DE-ENERGIZED THE SUPPLY AND EXHAUST FANS SHUT OFF AND THE DAMPERS GO TO FULL CLOSED POSITION.

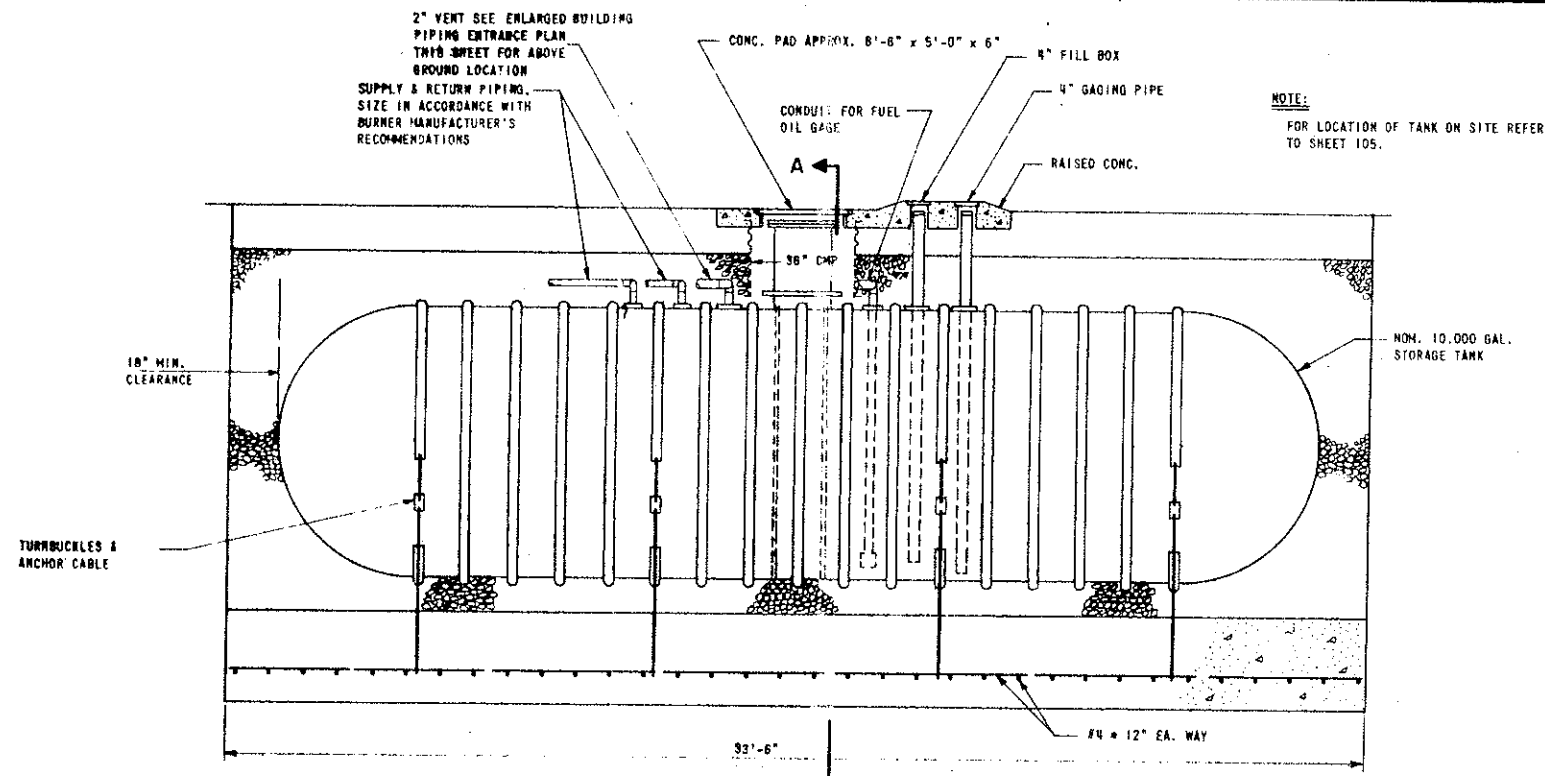
WICHITA, KANSAS
PLANT NO. 1 PUMPING STATION

CONTROL DIAGRAMS
MECHANICAL

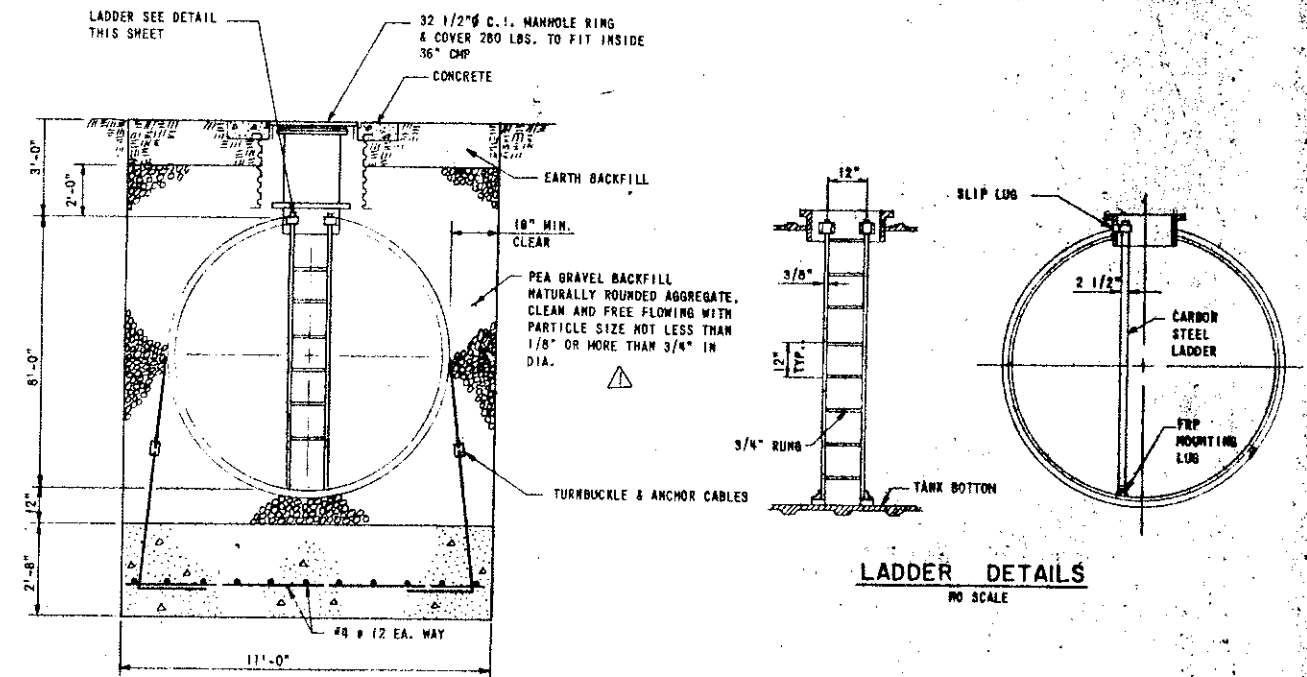
REVISION	DATE	BY	DESIGN	DRAWN	DATE
			GDS	JMG	FEB 1970
					FILE NO. 77-101A
					SHEET NO. 514
					OF 510



SHELLEY-WILSON
ENGINEERS-ARCHITECTS-PLANNERS

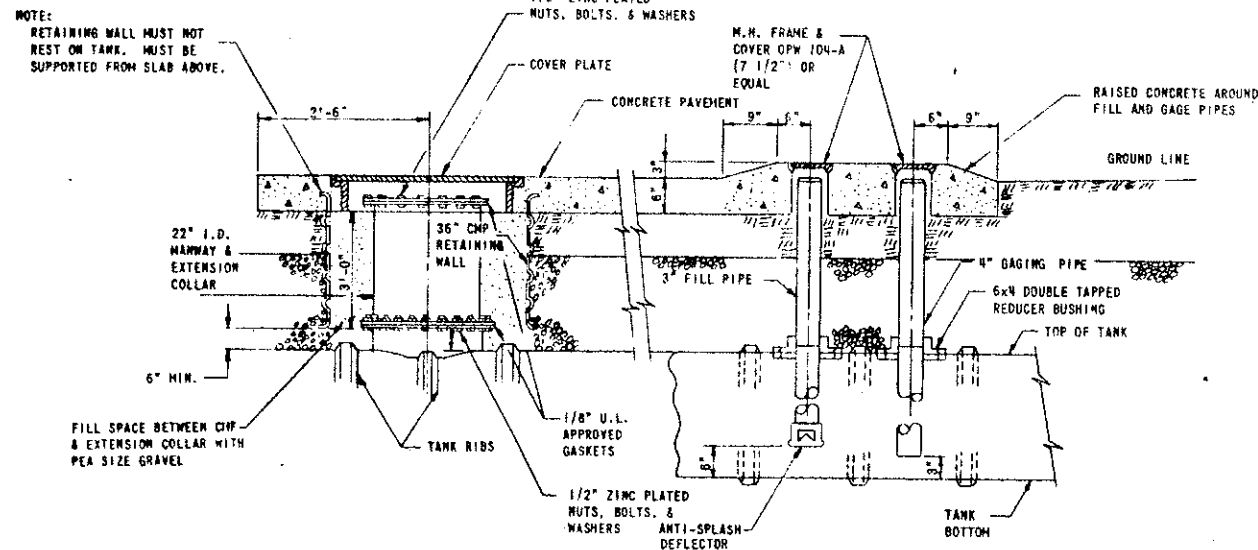


ELEVATION
3/8" = 1'-0"



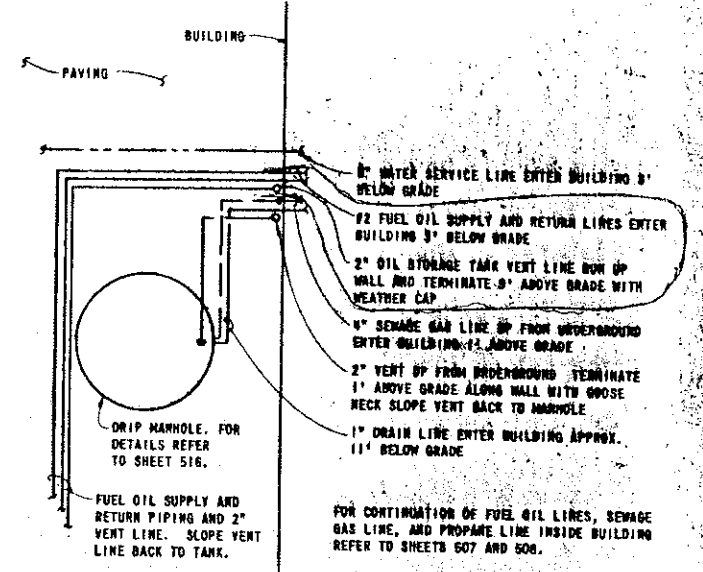
SECTION A-A
3/8" = 1'-0"

LADDER DETAILS
NO SCALE



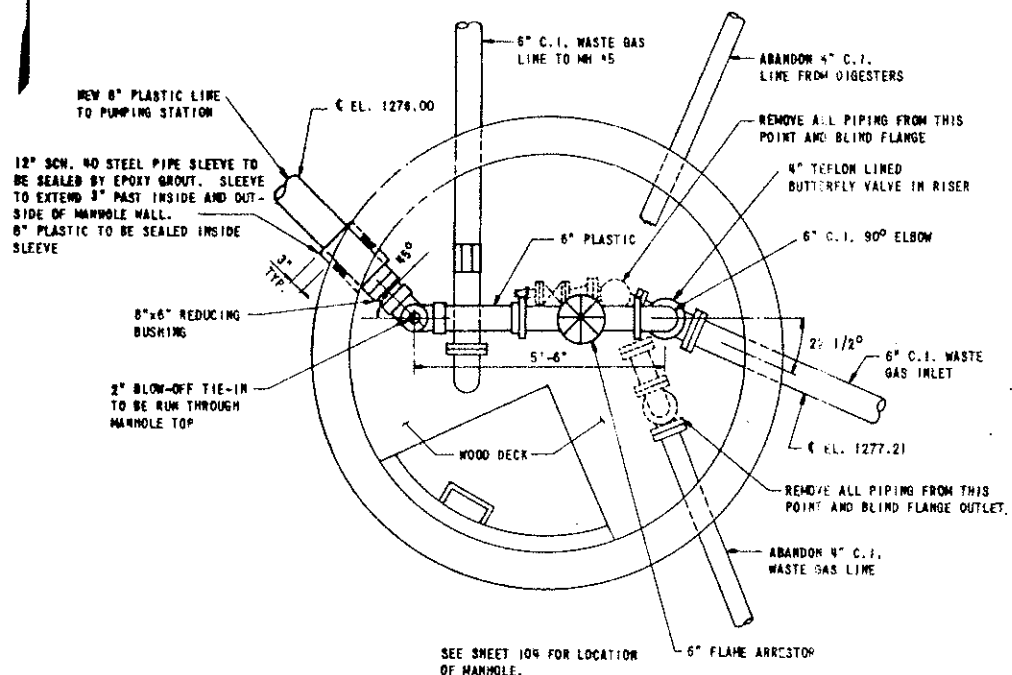
MANWAY DETAIL
NO SCALE

FILL AND GAGE DETAIL
NO SCALE

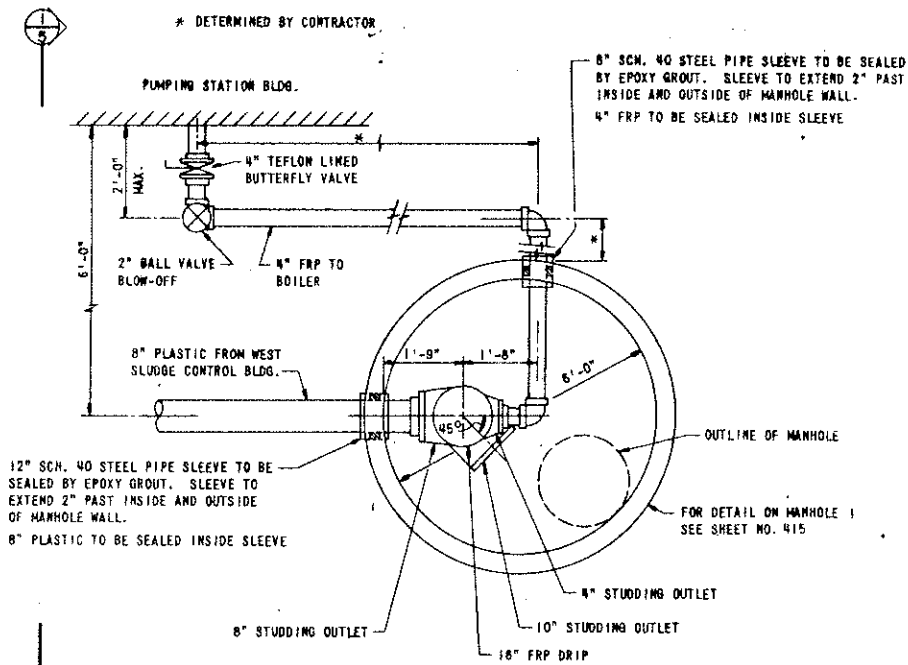


ENLARGED BUILDING PIPING ENTRANCE PLAN
(REFER TO SHEET 105) SCALE: 1/4" = 1'-0"

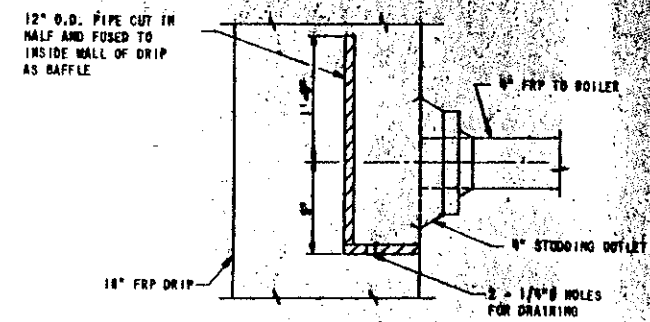
<p>RICHITA, KANSAS PLANT NO. 1 PUMPING STATION FUEL OIL STORAGE TANK AND MISCELLANEOUS DETAILS MECHANICAL</p>			
<p>ADDITION OF PEA GRAVEL 18" ABOVE TANK</p>	<p>APR. 78</p>	<p>JOG</p>	<p>DESIGN GDS</p>
<p>DESIGN</p>	<p>DATE</p>	<p>BY</p>	<p>DATE FEB. 1978</p>
<p>6530</p>	<p>FILE NO. 78-101A</p>	<p>SHEET NO. 518</p>	<p>OF 518</p>
<p>SHALLEY-WILSON ENGINEERS-ARCHITECTS-PLANNERS</p>			



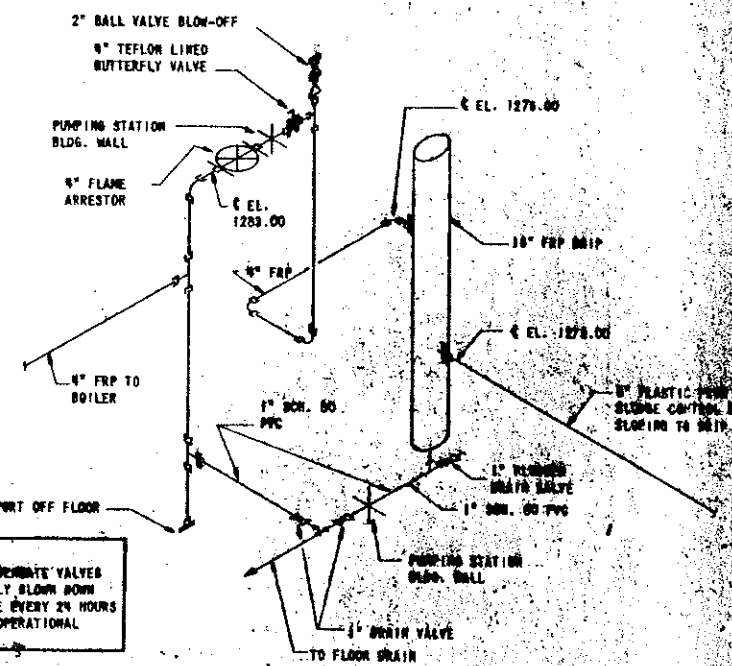
PLAN - MANHOLE NO. 4
1/2" = 1'-0"



PLAN - MANHOLE H
1/2" = 1'-0"

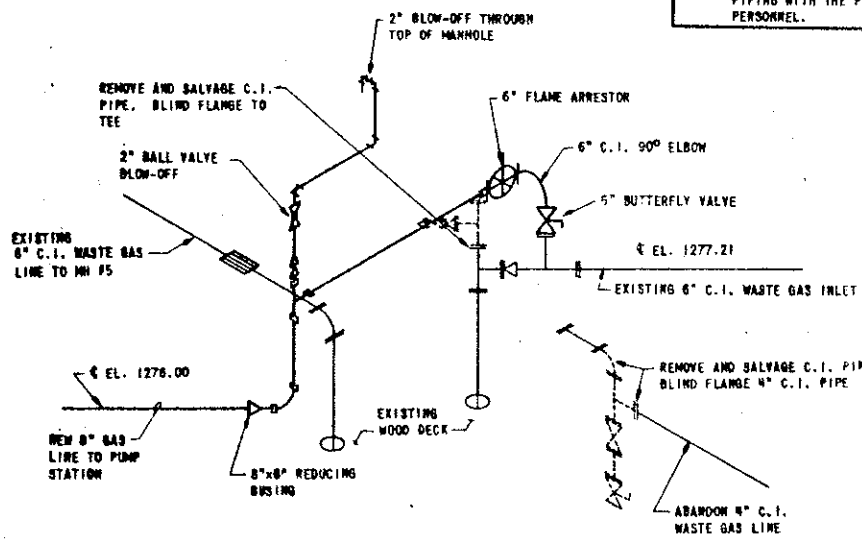


DETAIL NO. 1
1/2" = 1'-0"

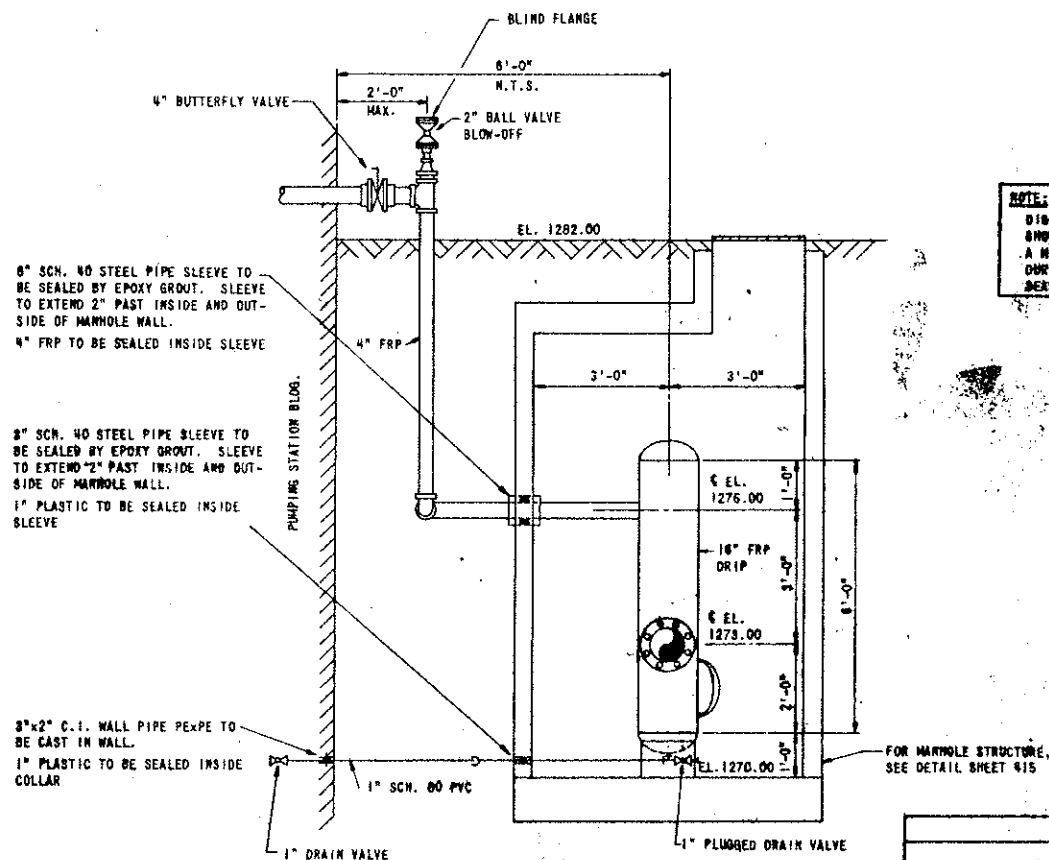


SCHEMATIC OF WASTE GAS PIPING TIE-IN
NO SCALE

NOTE: CO-ORDINATE CONNECTION OF NEW PIPING TO EXISTING WASTE GAS PIPING WITH THE PLANT OPERATING PERSONNEL.



SCHEMATIC OF WASTE GAS PIPING TAKE-OFF
NO SCALE



SECTION 1-1
1/2" = 1'-0"

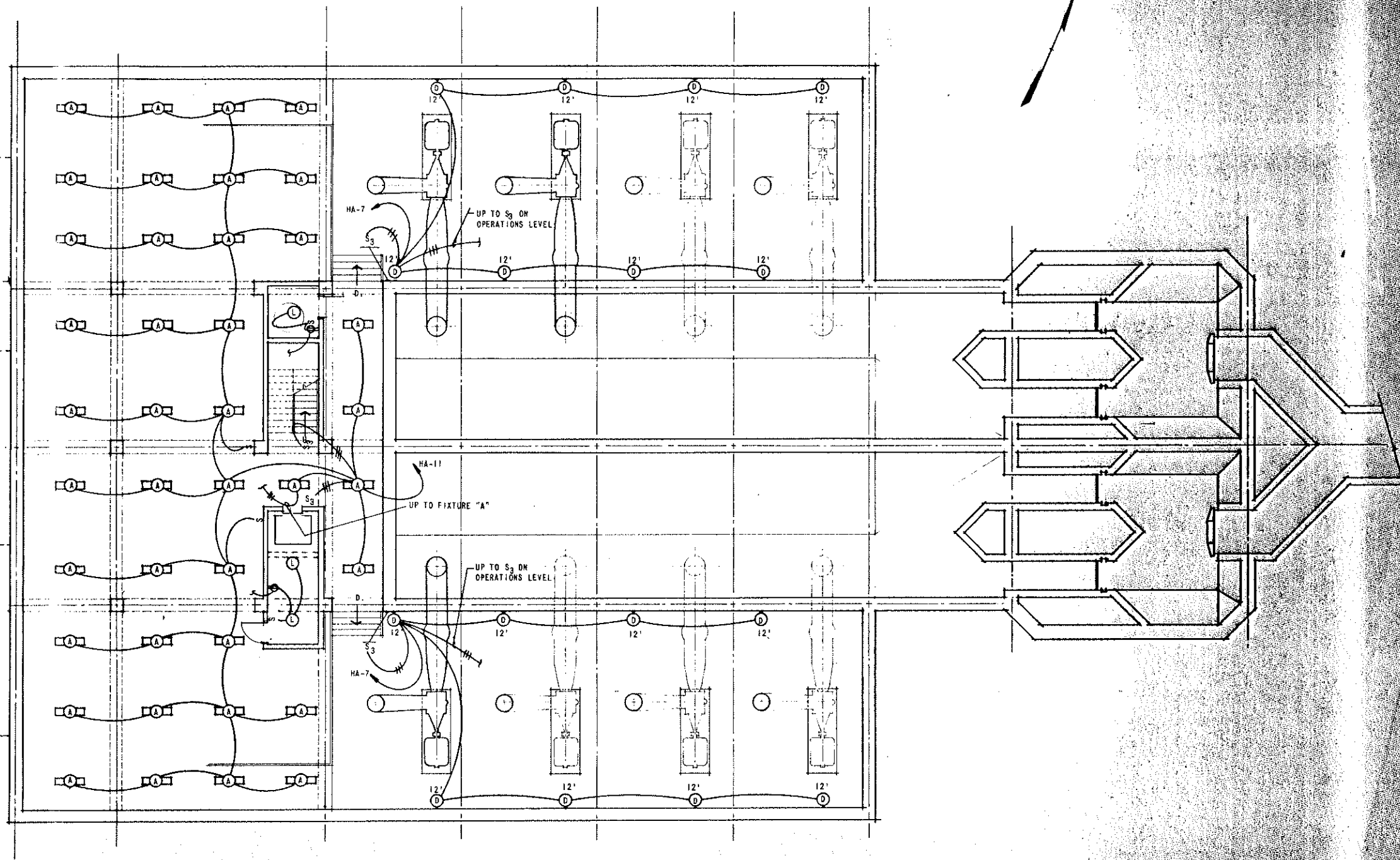
NOTE: DIGGER GAS CONDENSATE VALVES SHOULD BE MANUALLY BLOWN DOWN A MINIMUM OF ONCE EVERY 24 HOURS DURING BOILER'S OPERATIONAL SEASON.

REVISION	DATE	BY

RICHITA KARRERS
 PLANT NO. 1 PUMPING STATION
 PIPING SCHEMATICS
 MECHANICAL

DESIGN	BOB	DRAWN	JMG
DATE	FEB 1979		
FILE NO.	75-1012		
SHEET NO.	870		
OF	870		


REVISION DATE BY

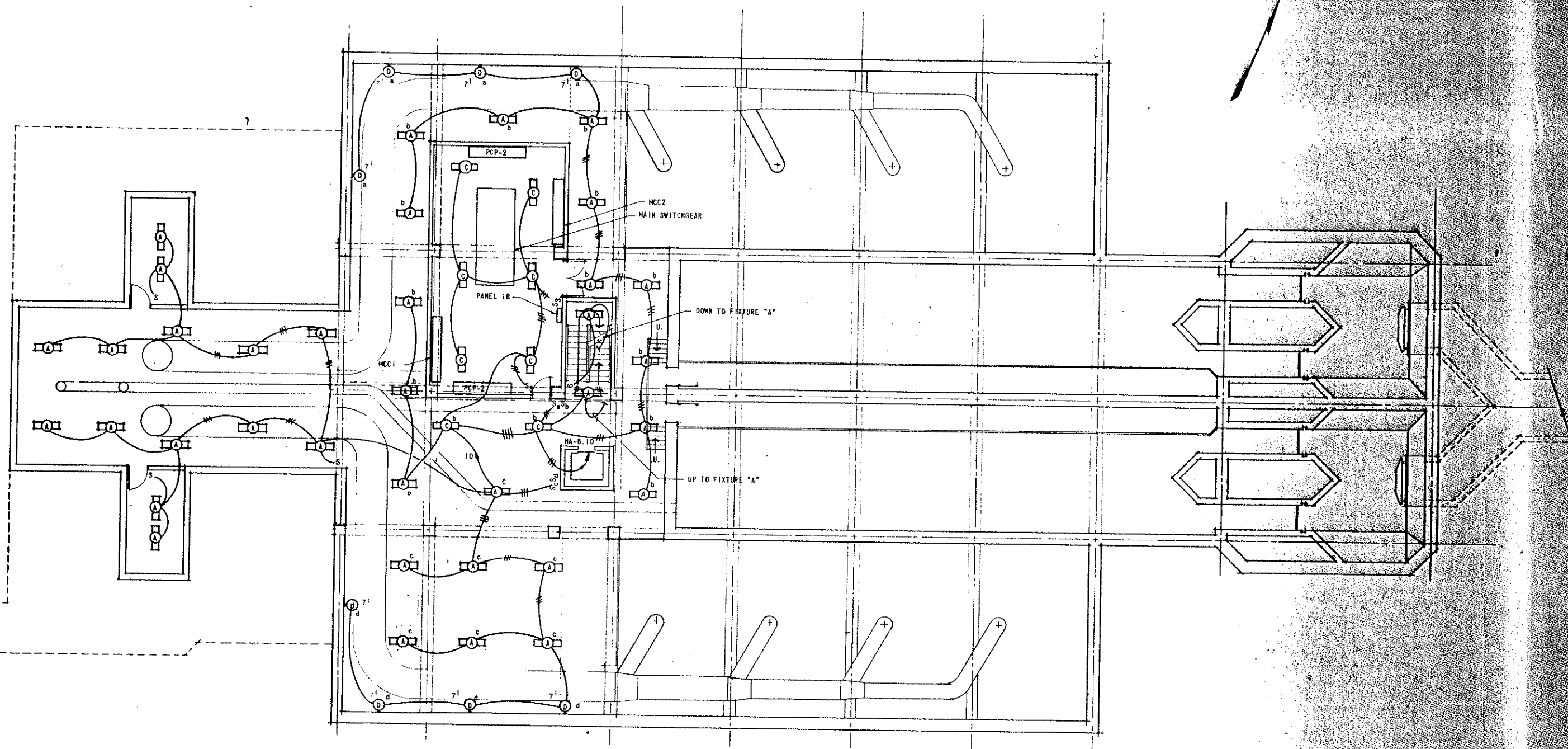


PUMP LEVEL FLOOR PLAN
 1/8" = 1'-0"

REVISION	DATE	BY

WICHITA, KANSAS
 PLANT NO. 1 PUMPING STATION
 LIGHTING - PUMP LEVEL
 ELECTRICAL

DESIGN ALK	DRAWN WDB	DATE FEB. 1978	 Shelley-Wilson ENGINEERS - ARCHITECTS - PLANNERS <small>2001 W. CENTRAL AVENUE, WICHITA, KANSAS 67202</small>
		FILE NO. 73-181A	
		SHEET NO. 301 OF 813	




INTERMEDIATE LEVEL FLOOR PLAN

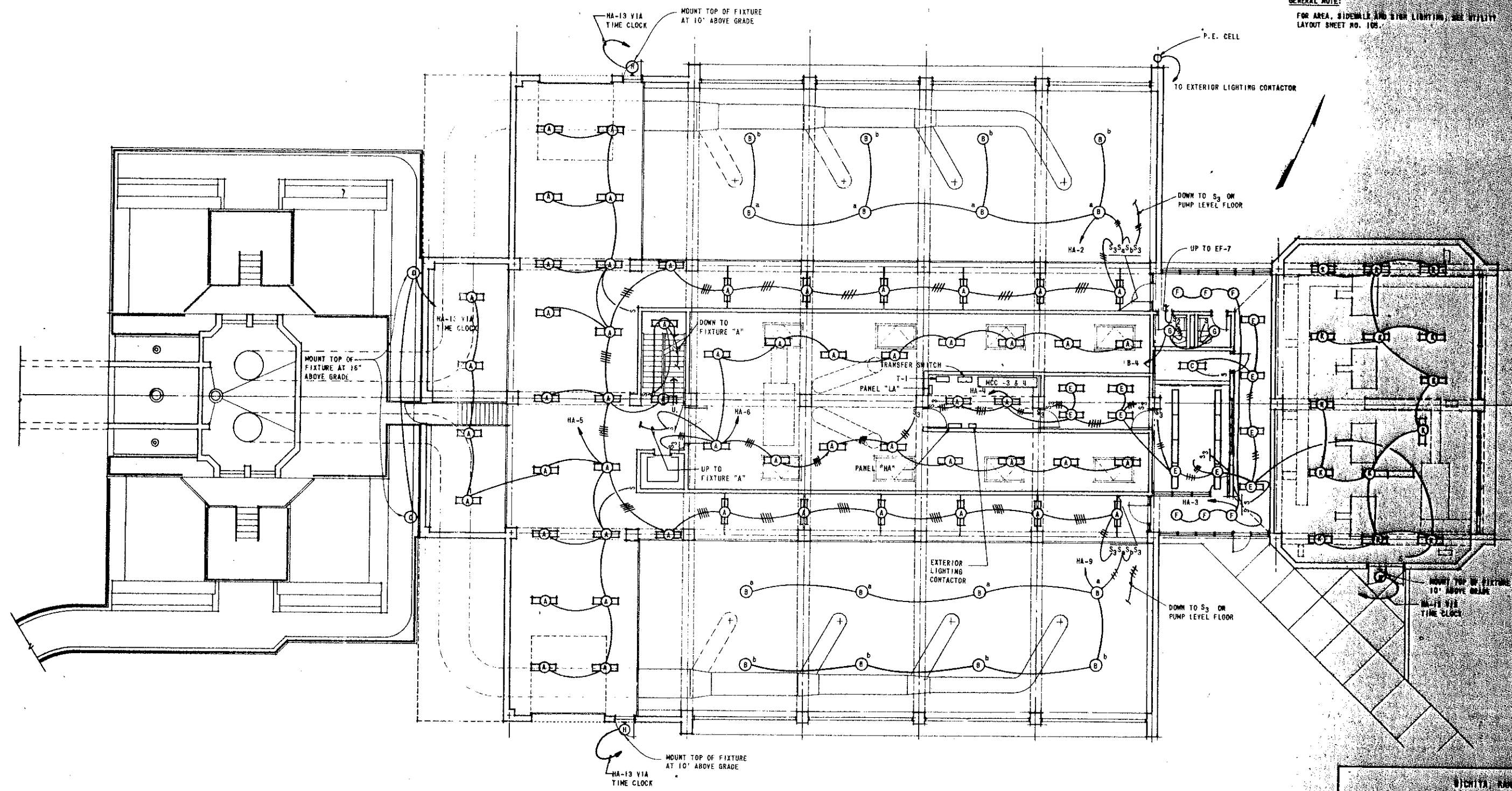
1/8" = 1'-0"

REVISION	DATE	BY

BICHITA - BANGSA
 PLANT NO. 1 PUMPING STATION
 LIGHTING - INTERMEDIATE LEVEL
 ELECTRICAL

DESIGN ALK	DRAWN WDB	DATE FEB 1971
 Shelley-Wilson ENGINEERING ARCHITECTS - PLANNERS <small>INCORPORATED IN THE STATE OF CALIFORNIA</small>		FILE NO. 70-1012 SHEET NO. 4537 OF 574


GENERAL NOTE:
 FOR AREA, SIDEWALK AND STAIR LIGHTING, SEE UTILITY
 LAYOUT SHEET NO. 105.

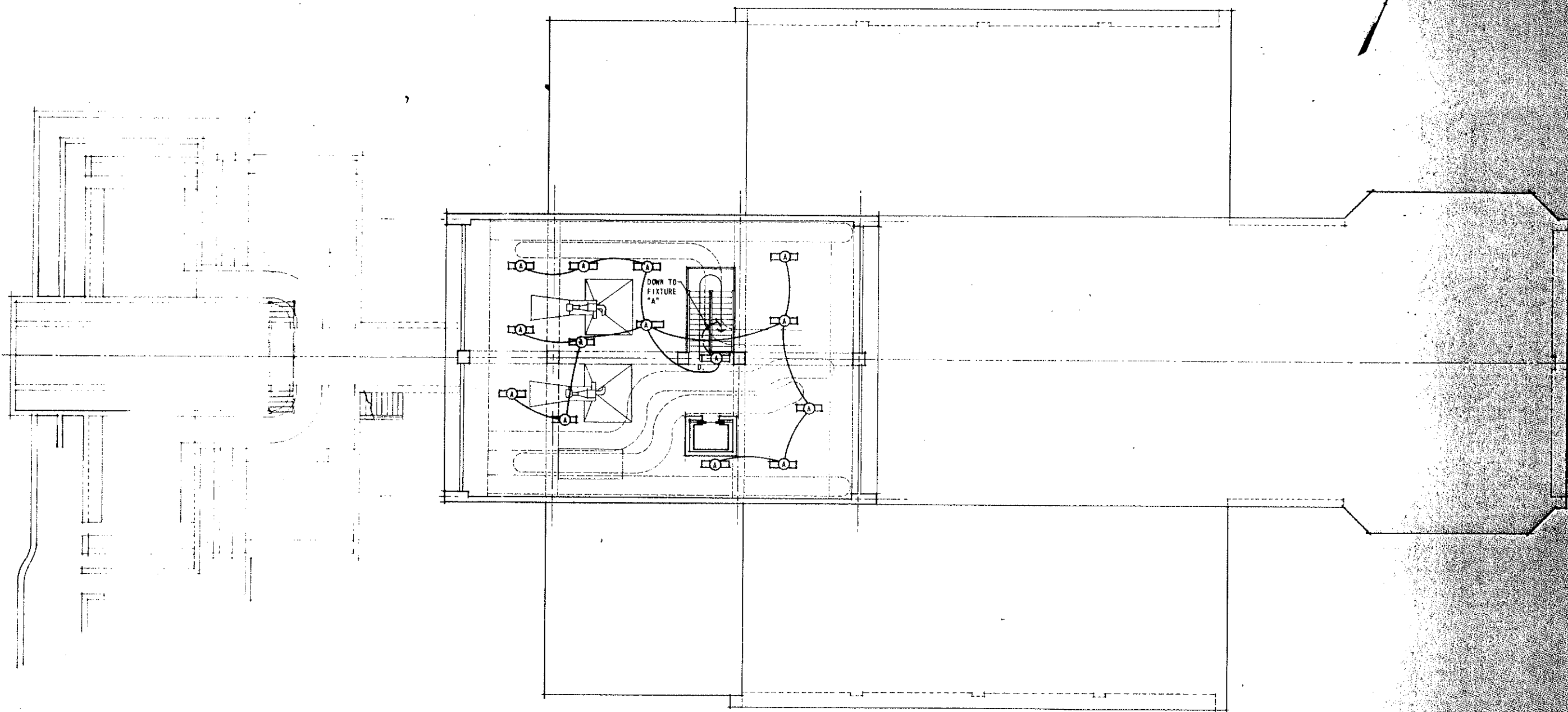


OPERATIONS LEVEL FLOOR PLAN
 1/8" = 1'-0"

REVISION	DATE	BY

BICHITA, KANSAS
 PLANT NO. 1 PUMPING STATION
 LIGHTING - OPERATIONS LEVEL
 ELECTRICAL


DESIGN ALR	DRAWN WED	DATE FEB 1970
		FILE NO. 70-1013
SHELLEY-WATSON ENGINEERS AND ARCHITECTS 1001 W. 10th St., Lawrence, Kansas 66044		SHEET NO. 803 OF 813



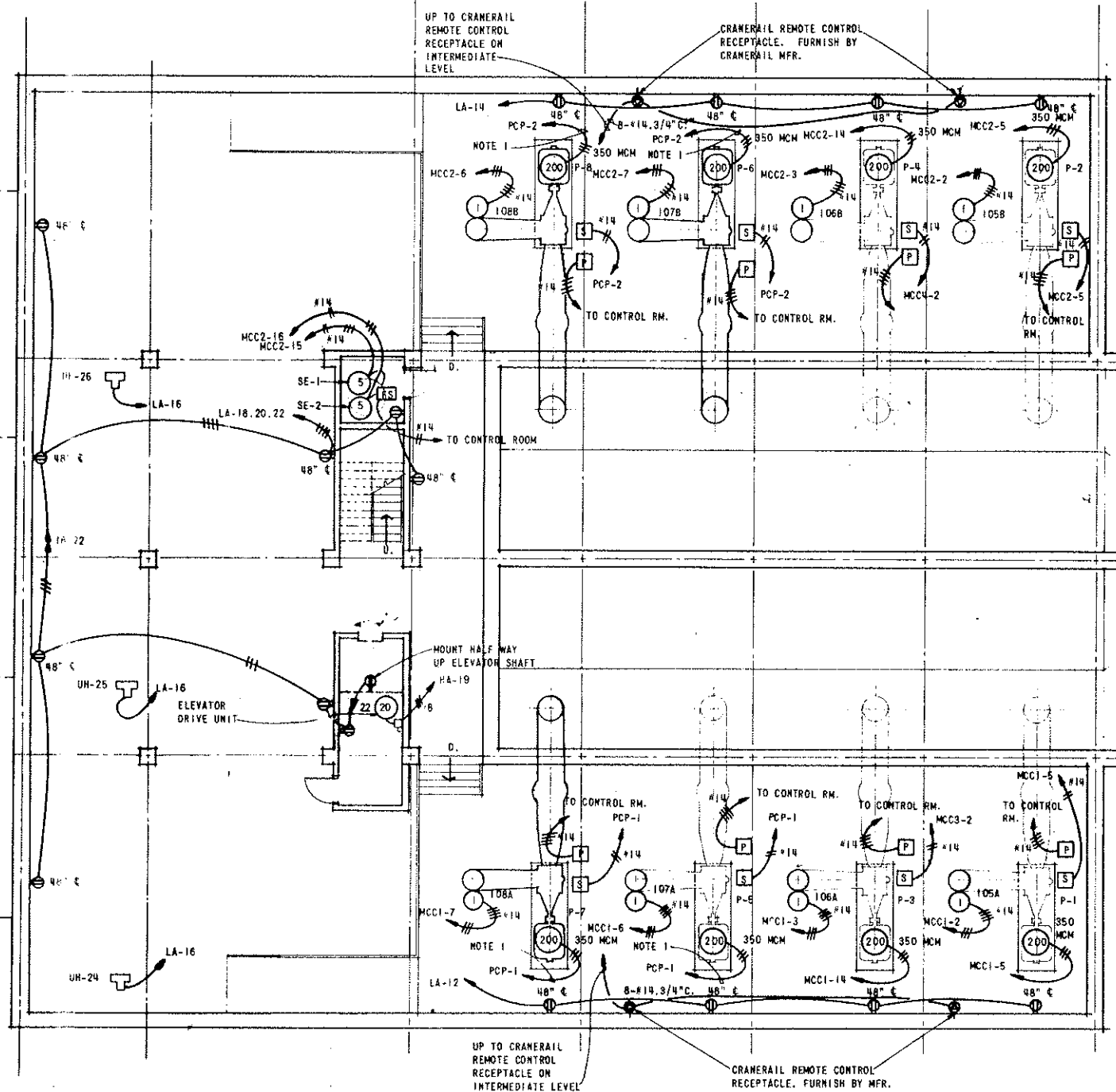
MEZZANINE LEVEL FLOOR PLAN
1/8" = 1'-0"

REVISOR	DATE	BY

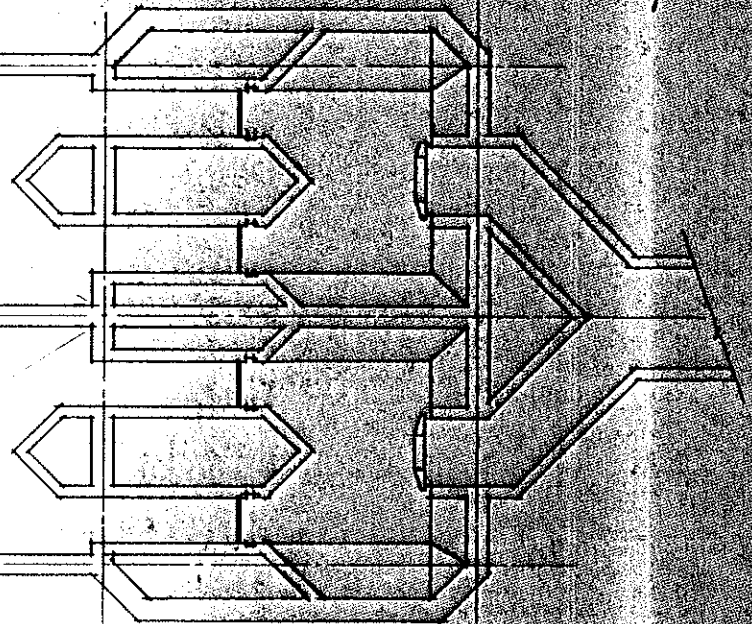
VICTORIA, KANSAS
PLANT NO. 1 PUMPING STATION
LIGHTING - MEZZANINE LEVEL
ELECTRICAL

DESIGN ALK	DRAWN WDB	DATE: SEPT 1977
 SHELLEY-WATSON ELECTRICAL ENGINEERS & ARCHITECTS 1011 W. 10th St., Topeka, Kansas 66604		FILE NO. 75-187A
		SHEET NO. 324 OF 324

NOTE:
 1. ADD 1-2 1/2" HIGH TERMINAL BOXES IN PUMP MOTOR TO PUMP CONTROL PANEL.



PUMP LEVEL FLOOR PLAN
 1/8" = 1'-0"

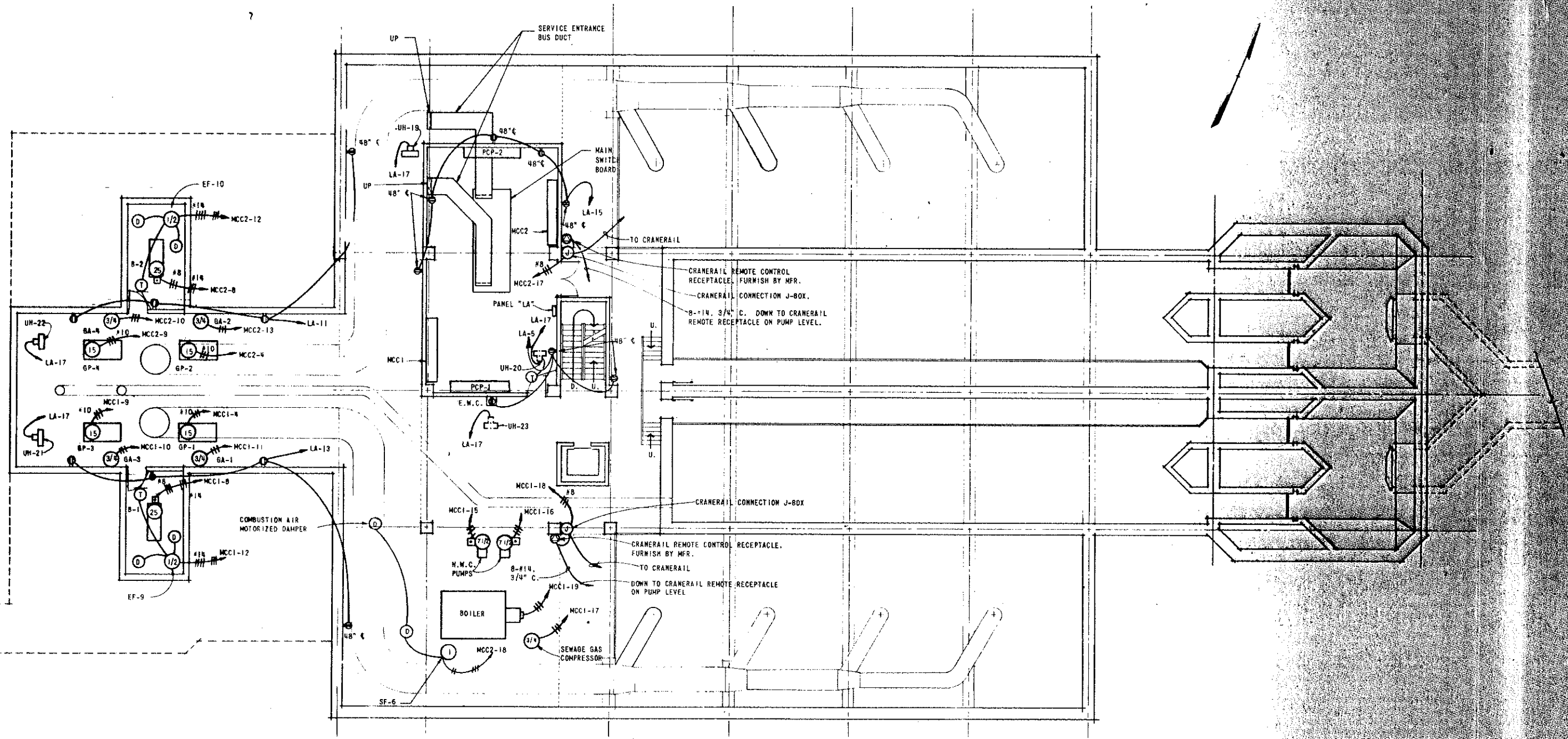


REVISION	DATE	BY

WENTHA, KAWERT
 PLANT NO. 1 PUMPING STATION
 POWER PUMP LEVEL
 ELECTRICAL

DATE: FEB 1974
 FILE NO: 73-100
 SHEET NO: 118
 OF 118

WENTHA, KAWERT
 ENGINEERS ARCHITECTS PLANNERS



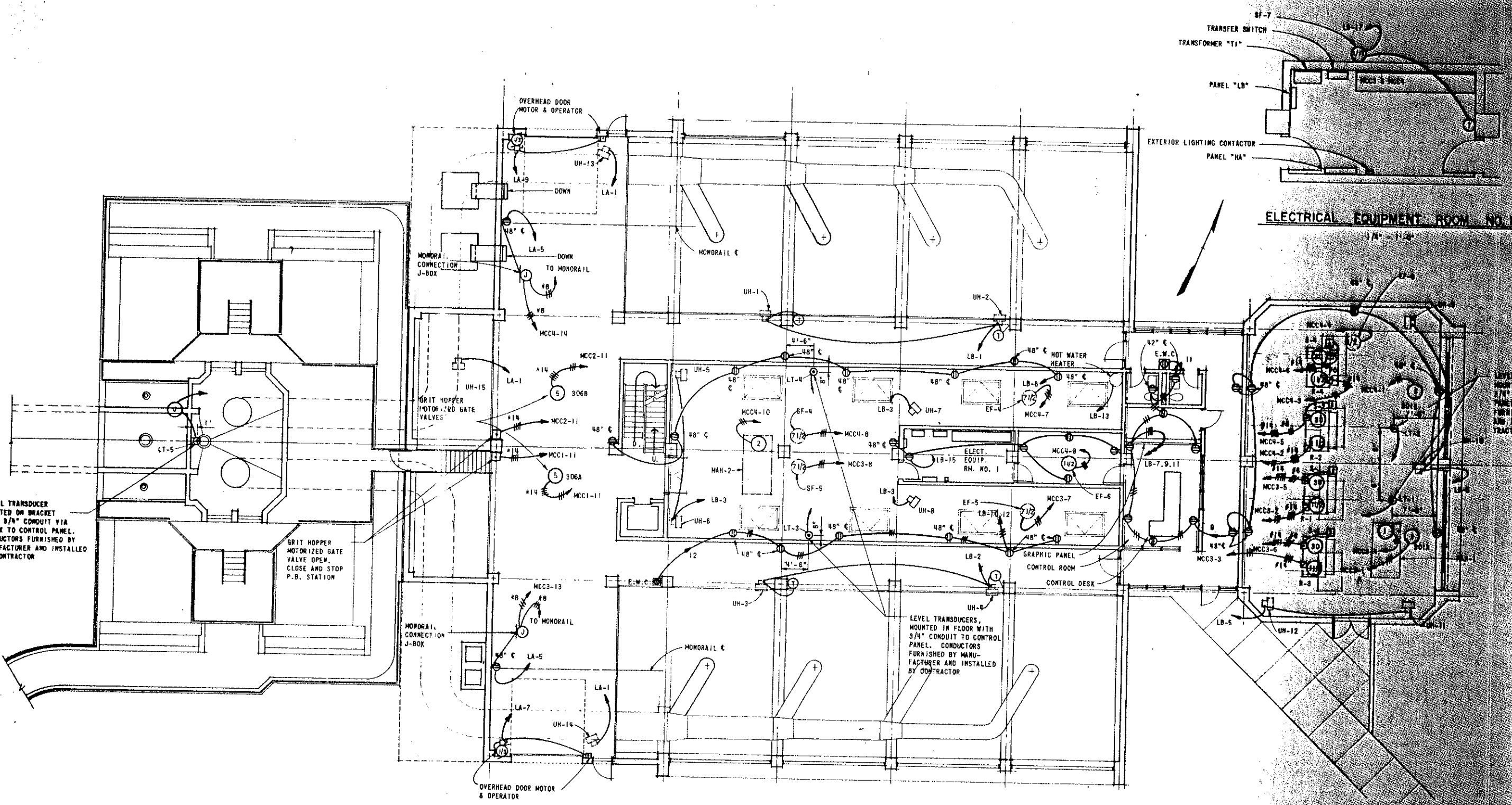
INTERMEDIATE LEVEL FLOOR PLAN

1/8" = 1'-0"

REVISION			DATE	BY

DESIGN	DATE	FILE NO.	SHEET NO.	OF
ALB	7/5	75-1878	500	811

WICHITA, KANSAS	
PLANT NO. 1 PUMPING STATION	
POWER - INTERMEDIATE LEVEL	
ELECTRICAL	
Shelley-Wilson ENGINEERS ARCHITECTS PLANNERS <small>201 N. MAIN ST. WICHITA, KANSAS 67201</small>	



LEVEL TRANSDUCER MOUNTED ON BRACKET WITH 3/4\" CONDUIT VIA J-BOX TO CONTROL PANEL. CONDUCTORS FURNISHED BY MANUFACTURER AND INSTALLED BY CONTRACTOR

GRIT HOPPER MOTORIZED GATE VALVE OPEN, CLOSE AND STOP P.S. STATION


LEVEL TRANSDUCERS, MOUNTED IN FLOOR WITH 3/4\" CONDUIT TO CONTROL PANEL. CONDUCTORS FURNISHED BY MANUFACTURER AND INSTALLED BY CONTRACTOR

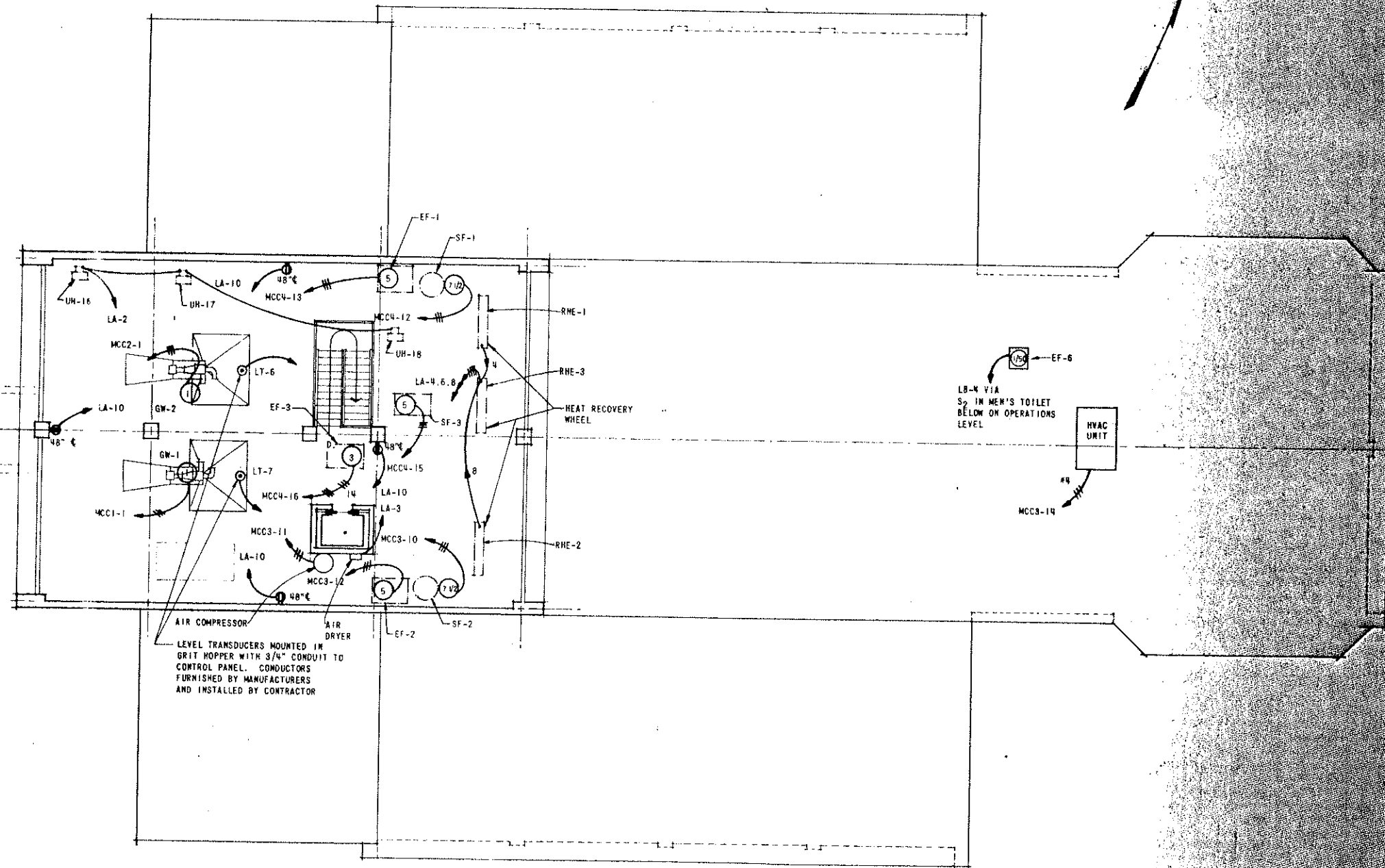
LEVEL TRANSDUCER MOUNTED IN FLOOR WITH 3/4\" CONDUIT TO CONTROL PANEL. CONDUCTORS FURNISHED BY MANUFACTURER AND INSTALLED BY CONTRACTOR

OPERATIONS LEVEL FLOOR PLAN
1/8\" = 1'-0\"

REVISION	DATE	BY

WICHITA, KANSAS
PLANT NO. 1 PUMPING STATION
POWER-OPERATIONS LEVEL
ELECTRICAL

DESIGN ALK	DRAWN WDB	DATE FEB 1978
		FILE NO. 78-111
Shelley-Wilson ENGINEERING ARCHITECTS & PLANNERS 201 S. W. 10th St., Wichita, Kansas 67202 Tel. 268-1111		SHEET NO. 307 OF 310





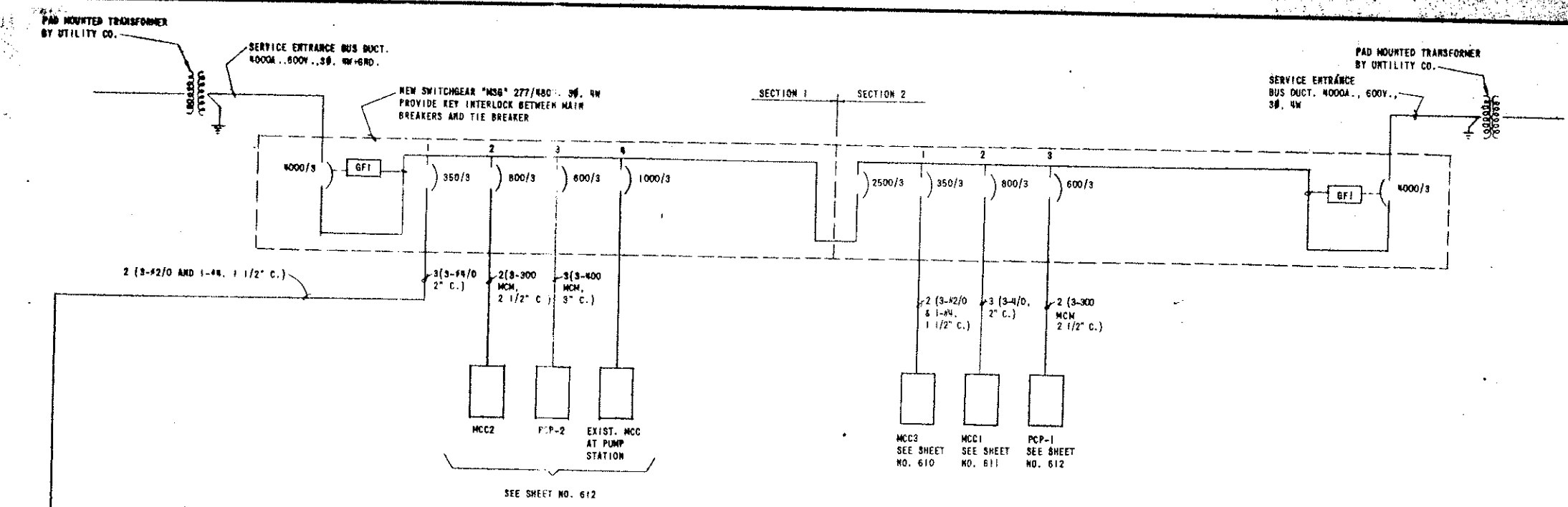
MEZZANINE LEVEL FLOOR PLAN

1/8" = 1'-0"

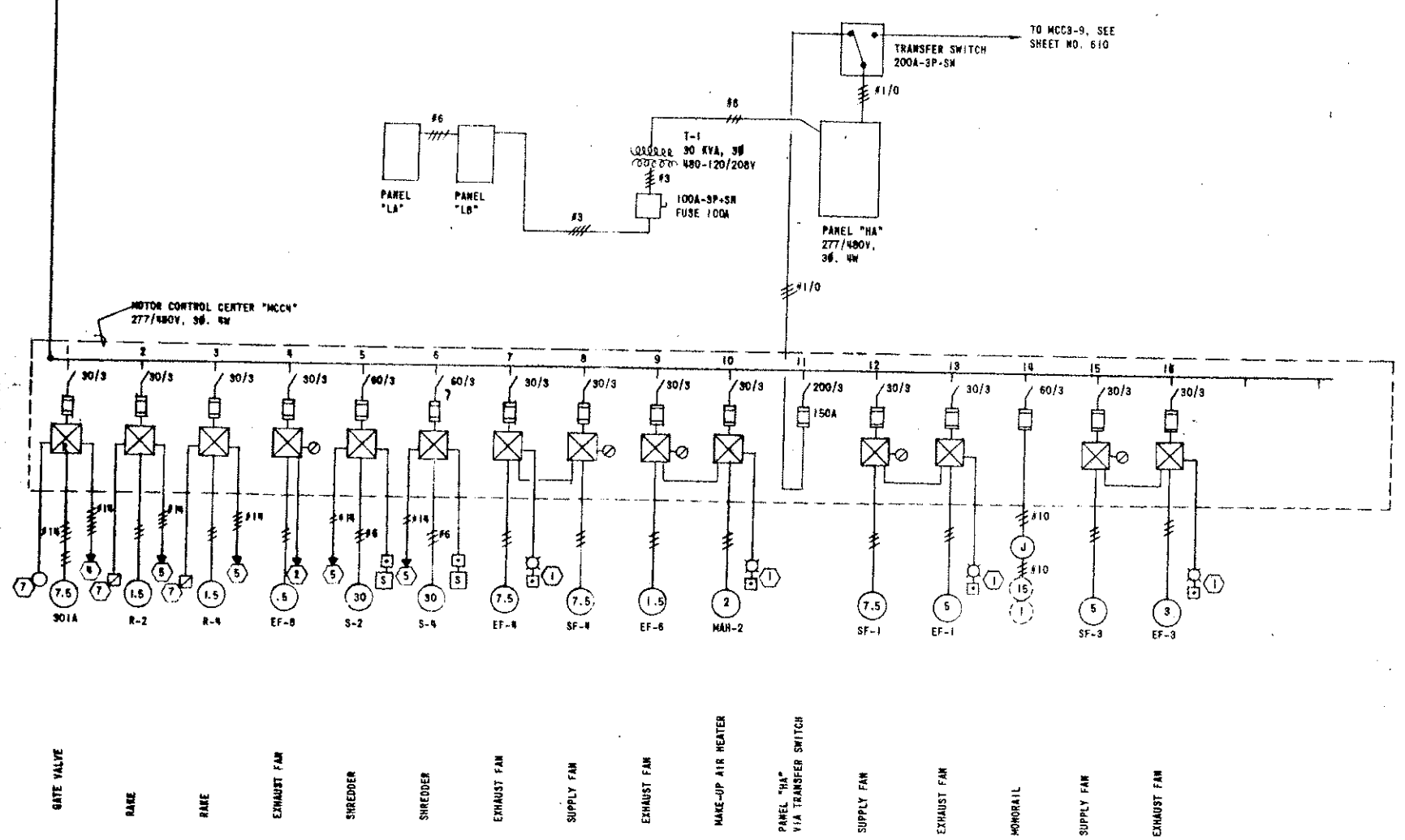
REVISION	DATE	BY

WICHITA ENGINEERS
 PLANT NO. 1 PUMPING STATION
 POWER - MEZZANINE LEVEL
 ELECTRICAL

DESIGN ALK	DRAWN GSM	DATE FEB 1978
		FILE NO. 78-1013
		SHEET NO. 001



- NOTES:
- 1 INSTALL IN CONTROL PANEL.
 - 2 TO MAIN STARTER MCC-4.
 - 3 TO EF-3 STARTER MCC-4.
 - 4 TO CONTROL ROOM, 3-Ø 1/2" FROM BUS, 2-Ø 1/4 FROM AUXILIARY CONTACT.
 - 5 TO CONTROL ROOM, 3-Ø 1/2" FROM BUS, 2-Ø 1/4 FROM AUXILIARY CONTACT.
 - 6 TO CONTROL ROOM, 2-Ø 1/4 FROM AUXILIARY CONTACT.
 - 7 FURNISH WITH EQUIPMENT.
 - 8 CHANNEL MOUNTED CONTROL RECEPTACLES IN 4" SQUARE, 2" DEEP BOXES, RECEPTACLES FURNISHED BY MANUFACTURER.
 - 9 TO CONTROL ROOM, 2-Ø 1/4 FROM HIGH LEVEL CONTACT.



- GATE VALVE
- RARE
- RARE
- EXHAUST FAN
- SHREDDER
- SHREDDER
- EXHAUST FAN
- SUPPLY FAN
- EXHAUST FAN
- MAKE-UP AIR HEATER
- PANEL "HA" VIA TRANSFER SWITCH
- SUPPLY FAN
- EXHAUST FAN
- MONORAIL
- SUPPLY FAN
- EXHAUST FAN

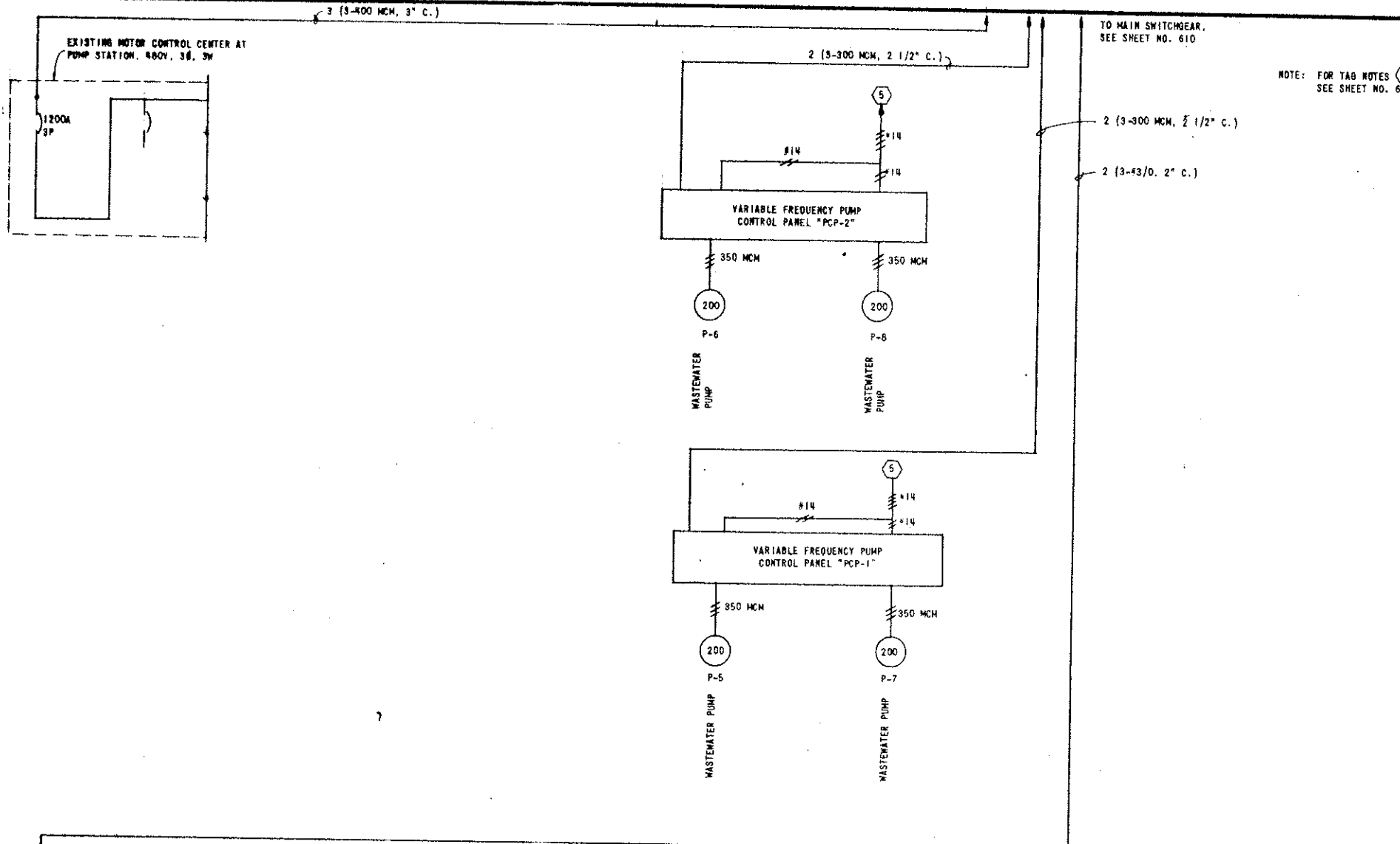
REV	DATE	BY

11007th FARMING
PLANT NO. 3 PUMPING STATION
POWER ONE LINE DIAGRAM
ELECTRICAL

DESIGN	DATE	BY

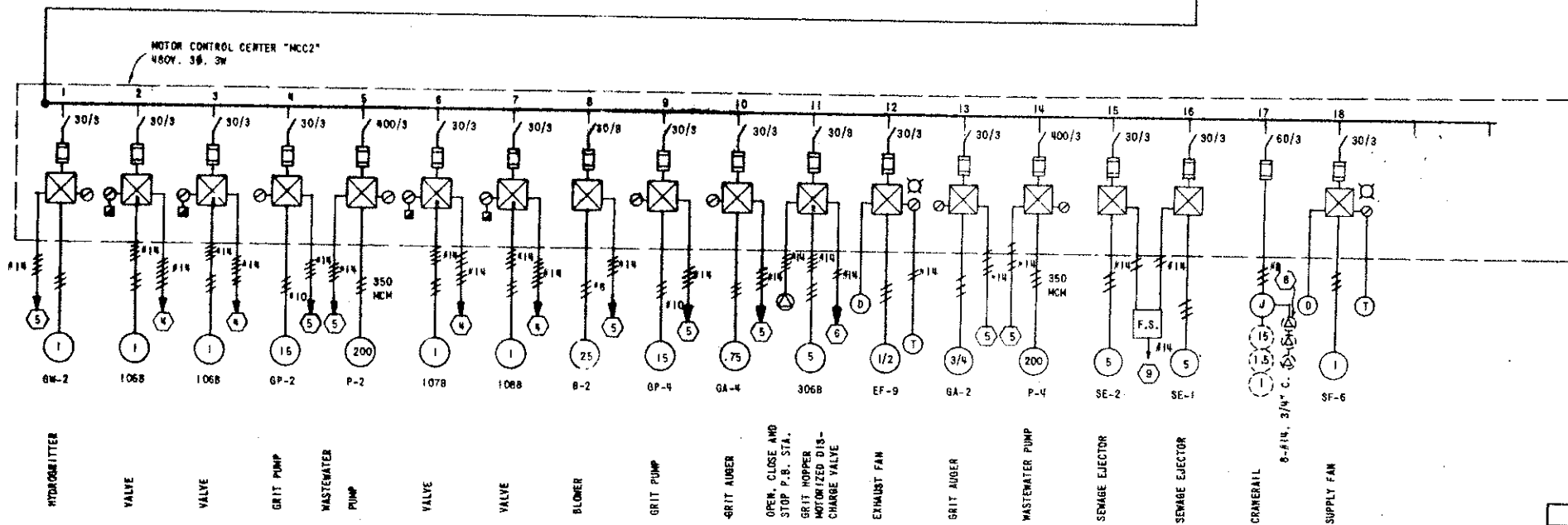
DATE: FEB. 1978
FILE NO. 78-0113
SHEET NO. 111
OF 111

REVISION DATE BY



TO MAIN SWITCHGEAR, SEE SHEET NO. 610

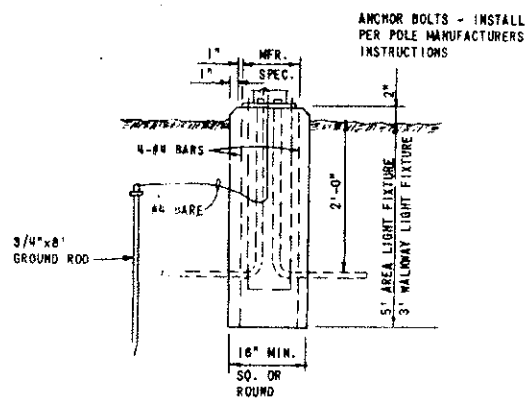
NOTE: FOR TAB NOTES SEE SHEET NO. 610.



WICHITA, KANSAS
 PLANT NO. 1 PUMPING STATION
 POWER ONE LINE DIAGRAM
 ELECTRICAL

REVISION	DATE	BY

DESIGN CRM	DRAWN JFB	DATE FEB 1974
		FILE NO. 70-101A
SHELLEY-WILSON ENGINEERS-ARCHITECTS-PLANNERS		SHEET NO. 211 OF 211



LIGHT POLE BASE DETAIL
NO SCALE

FIXTURE SCHEDULE

MARK	LAMPS			MOUNTING		DESCRIPTION AND MANUFACTURER OR EQUAL
	TYPE	NO.	WATTS	TYPE	HEIGHT	
A	FROCK	2	40	SURFACE	CEILING	WESTINGHOUSE FERING
B	H37RC-250/DI	1	250	SURFACE	CEILING	MARCO HSPMS-TN06
C	FROCK	2	40	SURFACE	CEILING	LITHONIA EAM 240
D	H39RC-175/DI	1	175	SURFACE	AS NOTED ON PLANS	LAROMAR J8 1521 COLORED STATUMAT BRONZE
E	FROCK	2	40	FLUSH	CEILING	LITHONIA 208 240 A12
F	H39RC-175/DI	1	175	PENDANT	2' BELOW CEILING	MARCO HSPMS-TN07
G	100A	1	100	SURFACE	CEILING	PRECALITE 5813
H	H39RC-175/DI	1	175	SURFACE	AS NOTED ON PLANS	LIGHTOLIER H0454Z BRONZE COLOR
I	FROCK	3	40	PENDANT	2' BELOW CEILING	WESTINGHOUSE FERING
L	60A	1	60	SURFACE	CEILING	PORCELAIN KEYLESS OUTLET
M	FROCK	1	40	SURFACE	SEE SIGN DETAIL SHEET NO. 216	LITHONIA UR240 WITH COLD WEATHER BALLS
N	H01A-100/DI	1	100	POST	2'-4" ABOVE GRADE	LIGHTOLIER D045327
O	H39RC-175/DI	1	175	SURFACE	AS NOTED ON PLANS	LAROMAR J8 1521 COLORED STATUMAT BRONZE
P	H37RC-250/DI	1	250	POLE	24' ABOVE GRADE	LIGHTOLIER A04542Z 165 TYPE III AND D045217 POLE

SEE SHEET NO. 105 FOR LOCATION OF AREA LIGHT FIXTURES M, N AND P

PANELBOARD "LB" SURFACE MOUNTED EMD = 26.9 KVA
3Ø, 4W, 120/208V, 225 MAINS, MLO

LOAD	LTO	REC	BKR	CKT	CT	CT	BKR	LTO	REC	LOAD
UH-1; UH-2			15	I	A	2	15			UH-3; UH-4
UH'S - 5,6,7,8			15	3	B	4	15	X		EF-7 & LIGHTS
UH'S - 9,10,11,12			15	5	C	6	20	X		SIDEWALK LIGHTING
OPERATIONS LEVEL	8		20	7	A	8	20		8	OPERATIONS LEVEL
OPERATIONS LEVEL	7		20	9	B	10	20		6	OPERATIONS LEVEL
E.W.C.			20	11	C	12	20		1	E.W.C.
WATER HEATER			20	13	A	14	20			GRAPHIC PANEL
OPERATIONS LEVEL	6		20	15	B	16	20			GRAPHIC PANEL
SF-7			15	17	C	18	20		6	OPERATION FLOOR
SPACE			20	19	A	20	20			SPACE
SPARE			-	21	B	22	20			SPACE
SPARE			-	23	C	24	20			SPACE
SPACE					A					
SPACE					B	26	60			PANEL "LA"
					C					

PANELBOARD "NA" SURFACE MOUNTED EMD = 82.6 KVA
3Ø, 4W, 277/480V, 225 MAINS, MLO

LOAD	LTO	REC	BKR	CKT	CT	CT	BKR	LTO	REC	LOAD
OPERATIONS LEVEL	X		20	1	A	2	30	X		OPERATIONS LEVEL
OPERATIONS LEVEL	X		20	3	B	4	20	X		OPERATIONS LEVEL
OPERATIONS LEVEL	X		20	5	C	6	20	X		OPERATIONS LEVEL
PUMP LEVEL	X		20	7	A	8	20	X		INTERMEDIATE LEVEL
SPARE			20	9	B	10	20	X		INTERMEDIATE LEVEL
PUMP LEVEL	X		20	11	C	12	20			SPARE
EXTERIOR LIGHTING	X		20	13	A	14	20			SPARE
AREA LIGHTING	X		20	15	B	16	-			SPACE
SPARE			20	17	C	18	-			SPACE
ELEVATOR			60	19	B	20	50			TRANSFORMER T-1

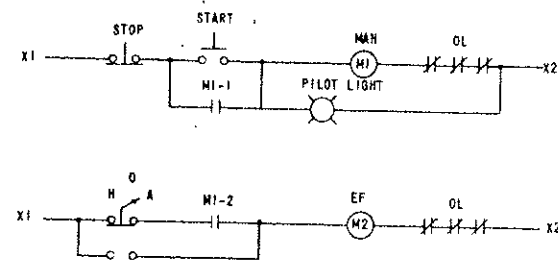
PANELBOARD "LA" SURFACE MOUNTED EMD = 10.9 KVA
3Ø, 4W, 120/208V, 100 MAINS, MLO

LOAD	LTO	REC	BKR	CKT	CT	CT	BKR	LTO	REC	LOAD
UH-13, UH-14, UH-15			15	1	A	2	15			UH-16, UH-17, UH-18
CONTROL AIR DRYER			15	3	B	4	15			HEAT RECOVERY WHEEL
INTERM. & OPER. LEVEL	5		20	5	C	6	15			HEAT RECOVERY WHEEL
OVERHEAD DOOR			15	7	A	8	15			HEAT RECOVERY WHEEL
OVERHEAD DOOR			15	9	B	10	20		4	MEZZANINE LEVEL
INTERMEDIATE LEVEL	4		20	11	C	12	20		4	PUMP LEVEL
INTERMEDIATE LEVEL	4		20	13	A	14	20		4	PUMP LEVEL
INTERMEDIATE LEVEL	5		20	15	B	16	15			UH-24, UH-25, UH-26
UH'S - 19,20,21,22,23			15	17	C	18	20		5	PUMP LEVEL
ELEV. RM. & SUMP RM.	X		20	19	A	20	20		5	PUMP LEVEL
SPARE			20	21	B	22	20		1	ELEVATOR
SPARE			20	23	C	24	20			SPARE

- CONDUIT AND WIRING - MATCH PANEL INDICATE NUMBER IN CONDUITORS IF MORE THAN TWO, NUMBER INDICATES CONDUITOR SIZE IF OTHER THAN 1/2 IN.
- WIRE RUN TO PANEL OR MOTOR CONTROL CENTER
- FLUORESCENT FIXTURE, TYPE INDICATED
- INCANDESCENT OR MERCURY FIXTURE, TYPE INDICATED
- EXTENSION MERCURY LIGHT-FIXTURE
- DUPLX RECEPTACLE, 15A; NOM 5-15V
- JUNCTION BOX
- SINGLE POLE SWITCH
- TWO POLE SWITCH
- THREE WAY SWITCH
- MOTORIZED DAMPER
- THERMOSTAT
- STARTER, MAGNETIC
- STARTER, REVERSING MAGNETIC
- SAFETY SWITCH
- START-STOP PUSHBUTTON STATION, L INDICATES LOCKOUT ON STOP
- OPEN-CLOSE PUSHBUTTON STATION
- MANUAL-STOP-AUTOMATIC SWITCH
- OPEN-CLOSE-STOP SWITCH
- HAND-OFF-AUTO SWITCH
- MOTOR, HP INDICATED
- FLUO LIGHT
- FLOAT SWITCH WITH ALTERNATE AND HIGH LEVEL ALARM
- SEAL WATER SOLENOID VALVE
- SEAL WATER PRESSURE INDICATOR
- LEVEL TRANSDUCER
- ELECTRIC WATER COOLER

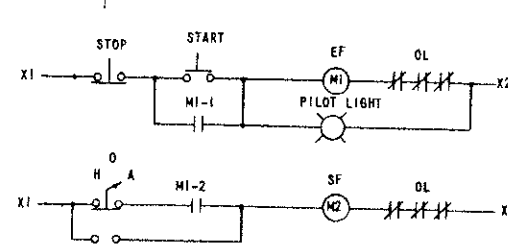
WITHIN BARS
PLANT NO. 1 PUMPING STATION
LEGEND, SCHEDULES AND DIAGRAMS
ELECTRICAL

DESIGN	CHKD	DATE
ALX	CAN	FEB 1964
REVISION	DATE	BY



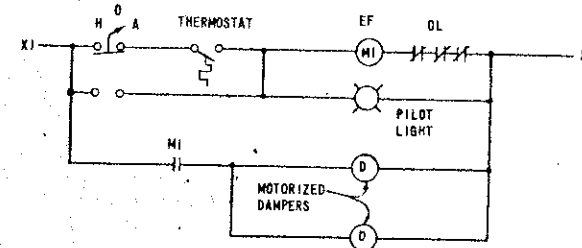
MAKE-UP AIR HEATER AND EXHAUST FAN CONTROL DIAGRAM

TYPICAL FOR MAH-1 AND EF-8 AND MAH-2 AND EF-6.
 LOCATE START-STOP STATIONS WITH PILOT LIGHT IN CONTROL ROOM.
 LOCATE HAND-OFF-AUTO SWITCH IN EXHAUST FAN STARTERS.



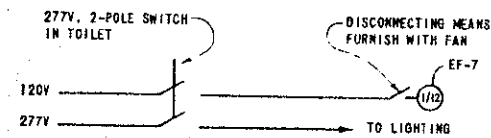
EXHAUST FAN AND SUPPLY FAN CONTROL DIAGRAM

TYPICAL FOR EF-1 AND SF-1, EF-2 AND SF-2, EF-3 AND SF-3, EF-4 AND SF-4, EF-5 AND SF-5.
 LOCATE HAND-OFF-AUTO SWITCH IN SUPPLY FAN STARTER.
 LOCATE START-STOP STATION WITH PILOT LIGHT IN CONTROL PANEL IN CONTROL ROOM.

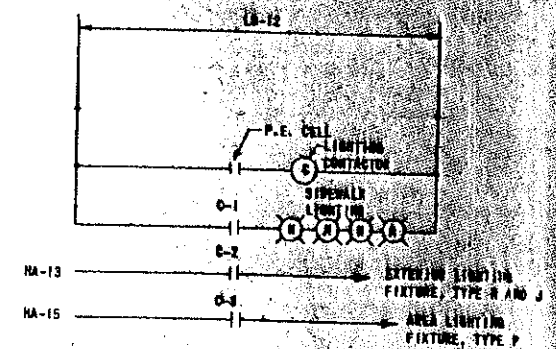


EXHAUST FAN EF-9 AND EF-10 CONTROL DIAGRAM

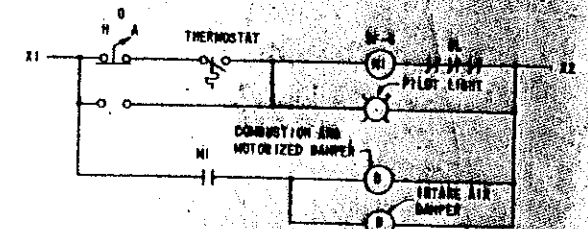
LOCATE HAND-OFF-AUTO SWITCH AND PILOT LIGHT IN STARTER.
 LOCATE THERMOSTAT AS SHOWN ON PLANS.



EXHAUST FAN NO.7 CONTROL DIAGRAM

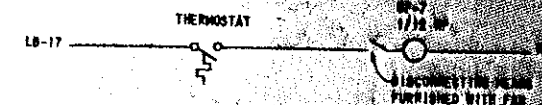


EXTERIOR LIGHTING CONTROL DIAGRAM



SUPPLY FAN NO.6 AND COMBUSTION AIR MOTORIZED DAMPER CONTROL DIAGRAM

LOCATE HAND-OFF-AUTO SWITCH WITH PILOT LIGHT IN STARTER.
 LOCATE THERMOSTAT AS SHOWN ON PLANS.



SUPPLY FAN NO.7 CONTROL DIAGRAM

LOCATE THERMOSTAT AS SHOWN ON PLANS.

WICHITA, KANSAS
 PLANT NO. 1 PUMPING STATION
 DIAGRAMS AND DETAILS
 ELECTRICAL

DESIGN	CHKD	DATE
ALK	CPB	FEB 1950
FILE NO.	72-100A	
SHEET NO.	011	
OF	010	

WILLY WILSON
 ENGINEER

REVISION	DATE	BY