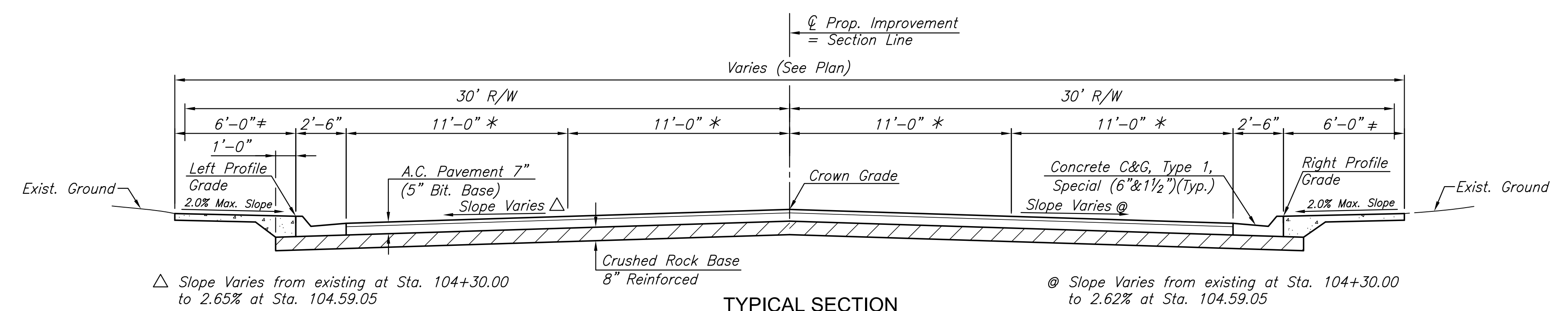


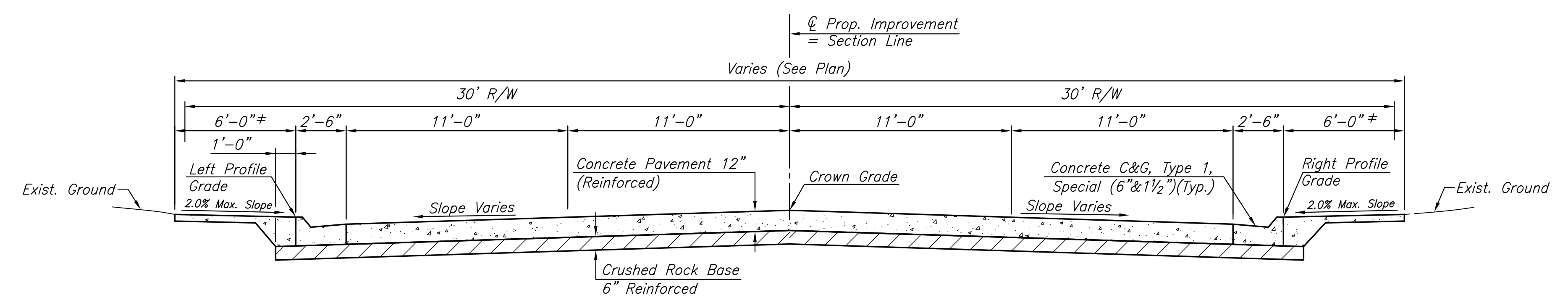
STATE	PROJECT NO.	YEAR	SHEET NO.	TOTAL SHEETS
KANSAS	87 N-0612-01	2015	3	84



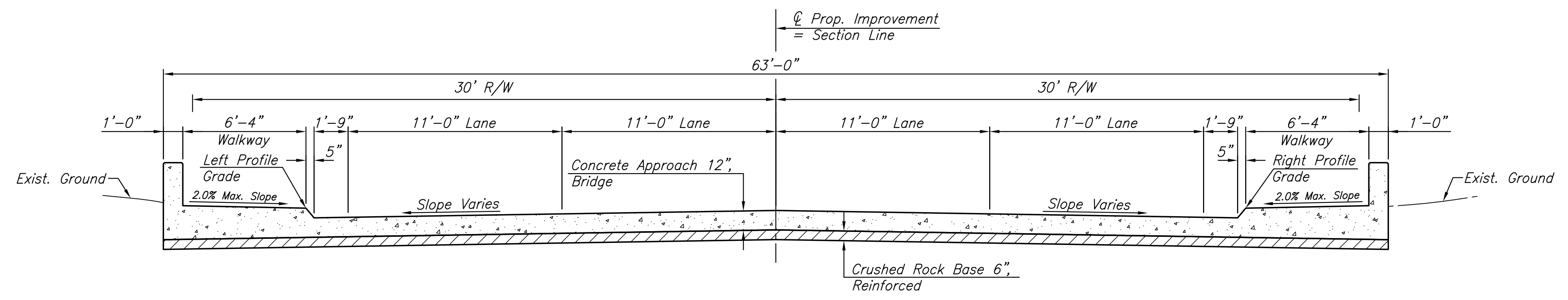
CONSTRUCTION PLANS FOR  
**21ST STREET BRIDGE AT DERBY REFINERY**  
 WICHITA, KANSAS



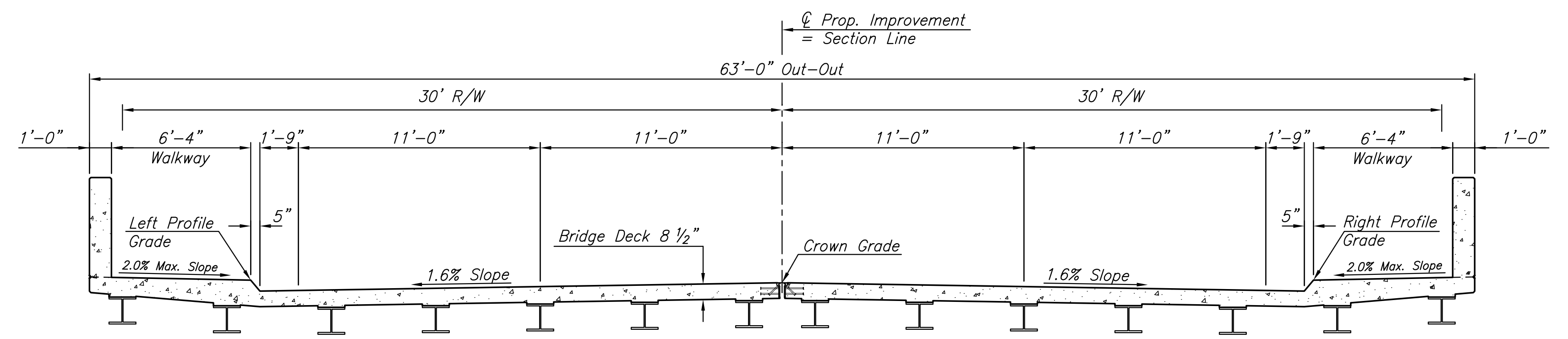
**TYPICAL SECTION**  
 Sta. 104+30.00 to Sta. 104+59.05  
 Sta. 106+22.74 to Sta. 106+69.00  
 \* See plan for width transitions to match existing pavement  
 † See plan for sidewalk locations and widths



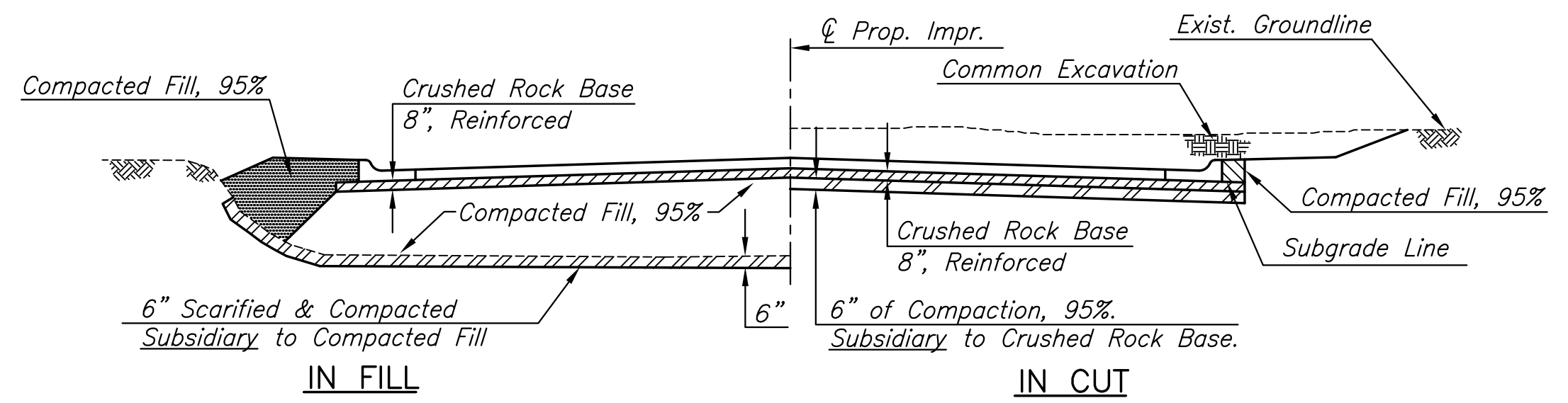
**TYPICAL SECTION**  
 Sta. 104+59.05 to Sta. 104+79.05, Lt.  
 Sta. 104+59.05 to Sta. 105+04.46 Rt.  
 Sta. 105+76.98 to Sta. 106+22.74, Lt.  
 Sta. 106+02.76 to Sta. 106+22.74, Rt.



**TYPICAL APPROACH SLAB SECTION**  
 Sta. 104+79.05 to Sta. 105+02.13, Lt.  
 Sta. 105+04.46 to Sta. 105+27.53, Rt.  
 Sta. 105+54.26 to Sta. 105+76.98, Lt.  
 Sta. 105+79.67 to Sta. 106+02.76, Rt.



**TYPICAL BRIDGE SECTION**  
 Sta. 105+02.13 to Sta. 105+54.26, LT.  
 Sta. 105+27.53 to Sta. 105+79.67, RT.



**FOUNDATION TREATMENT AND COMPACTION OF EARTHWORK**

©2013 MKEC Engineering All Rights Reserved www.mkec.com  
 These drawings and their contents, including, but not limited to, all concepts, designs, & ideas are the exclusive property of MKEC Engineering (MKEC), and may not be used or reproduced in any way without the express consent of MKEC.

**GENERAL NOTES AND TYPICAL SECTIONS**

PROJECT NO.	472-85120	
DATE	JULY 2015	
SCALE	N/A	
DESIGNED	DRAWN	CHECKED
JRA	JSB	JRA

NO.	REVISION	DATE