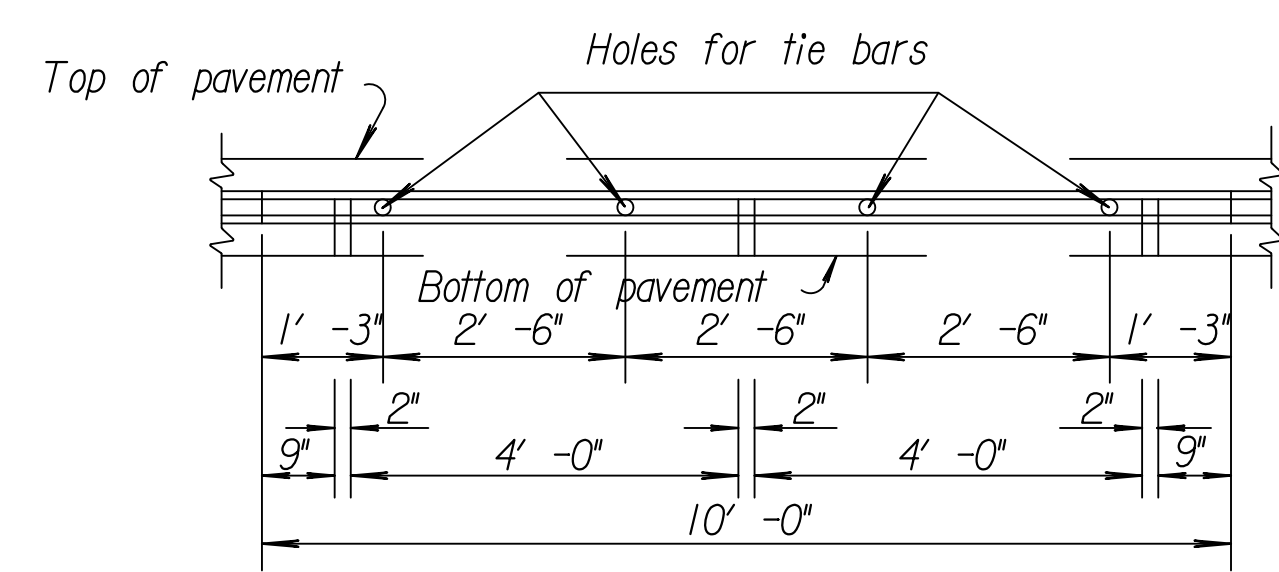
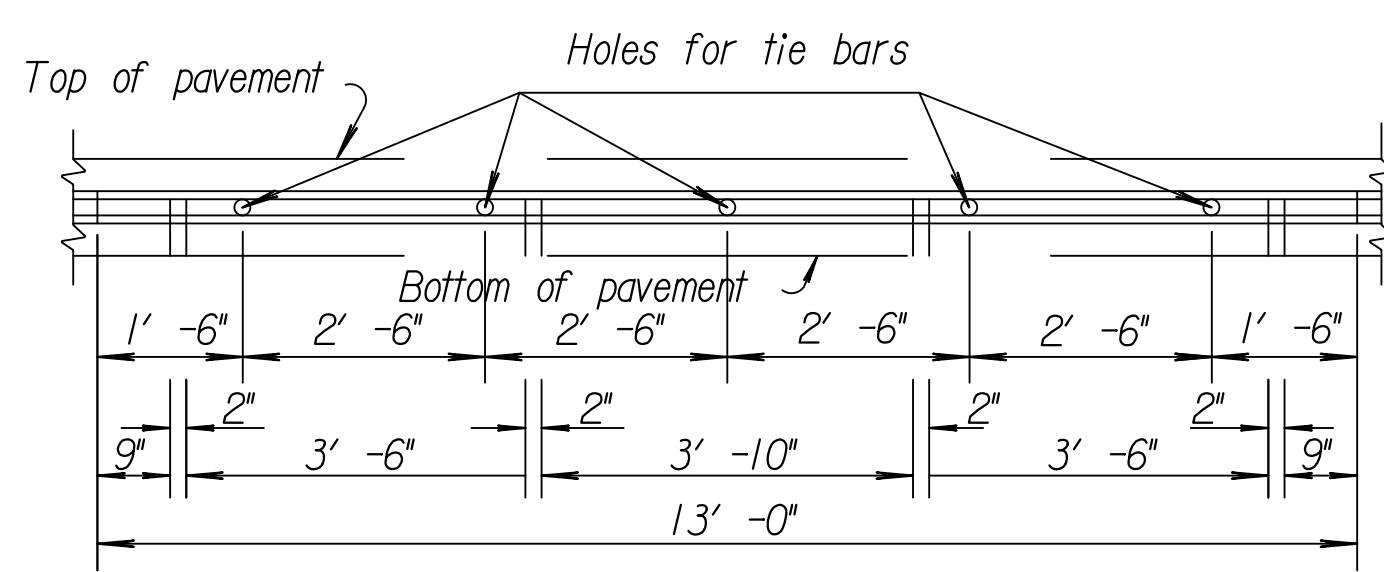


STATE	PROJECT NO.	YEAR	SHEET NO.	TOTAL SHEETS
KANSAS	87 N-0612-01	2015	10	84

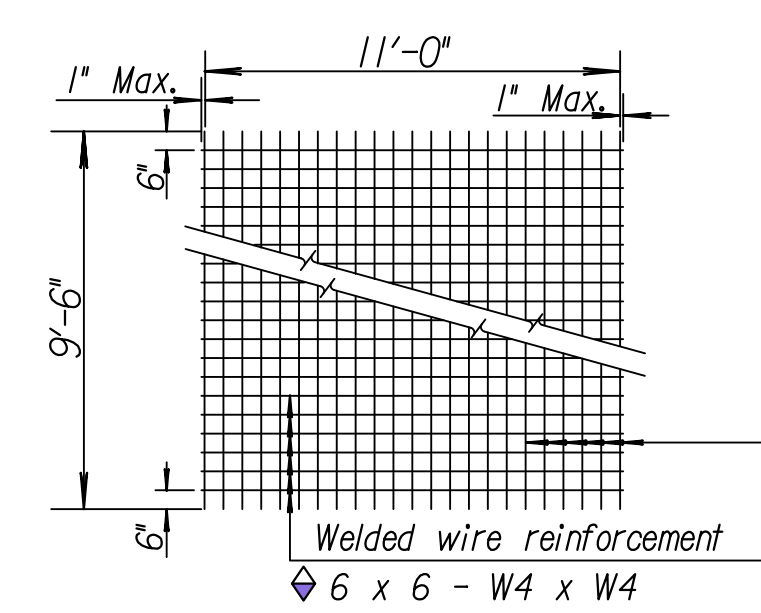


To be used only against forms. Shall not extend through contraction joints.
METAL STRIP FOR LONGITUDINAL CONSTRUCTION JOINT (10'-0")



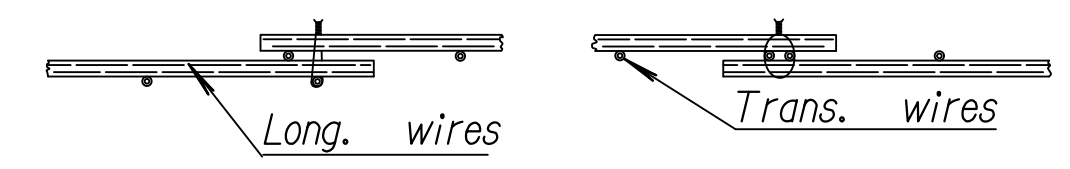
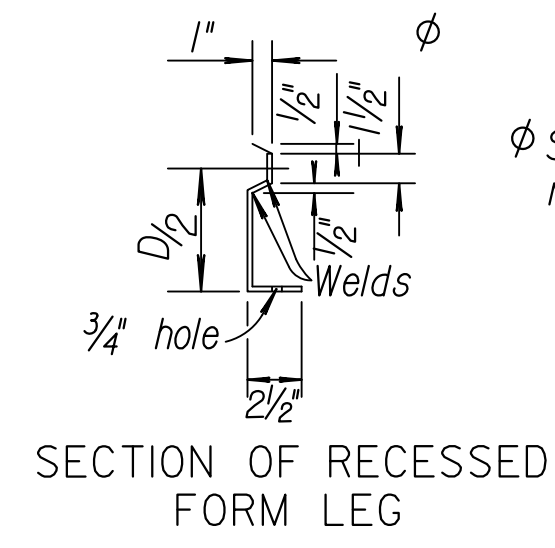
To be used only against forms. Shall not extend through contraction joints.
METAL STRIP FOR LONGITUDINAL CONSTRUCTION JOINT (13'-0")

GENERAL NOTES
 All work shall be done in conformity with the Standard Specifications applicable to the project.
 The cost of all bars and joint material shown on this sheet is to be included in the bid price for Concrete Pavement.
 At each planned transverse joint location, a 4 to 6 inch wide strip of the pavement surface shall be protected from the texturing operation to provide a transverse textureless surface centered over the joint sawcut.
 All sawed joints on this project shall be filled with sealant in accordance with Standard Specifications.
 The 4 inch edge curb shall be constructed integral with the approach slab shoulder.
 All materials and work required for this construction shall be Subsidiary to the concrete approach slab.
 Tie bars shall be evenly spaced along the length of the slab and no tie bars shall be within 12" of contraction joint.



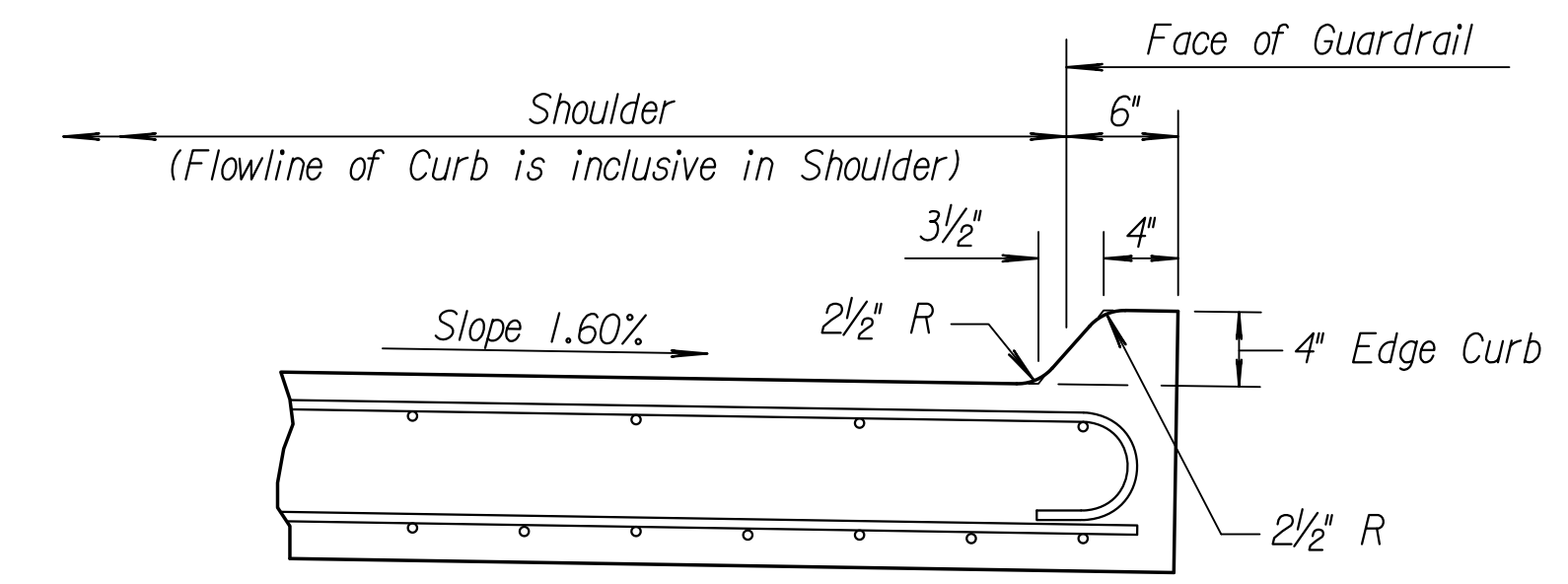
TYPICAL SHEET OF WELDED WIRE REINFORCEMENT FOR SPECIAL BRIDGE APPROACH PAVEMENT

Note: Epoxy coated #3 bars longitudinally @ 12" ctrs. & #3 bars transversely @ 18" ctrs. may be substituted for each layer of epoxy coated welded wire reinforcement.

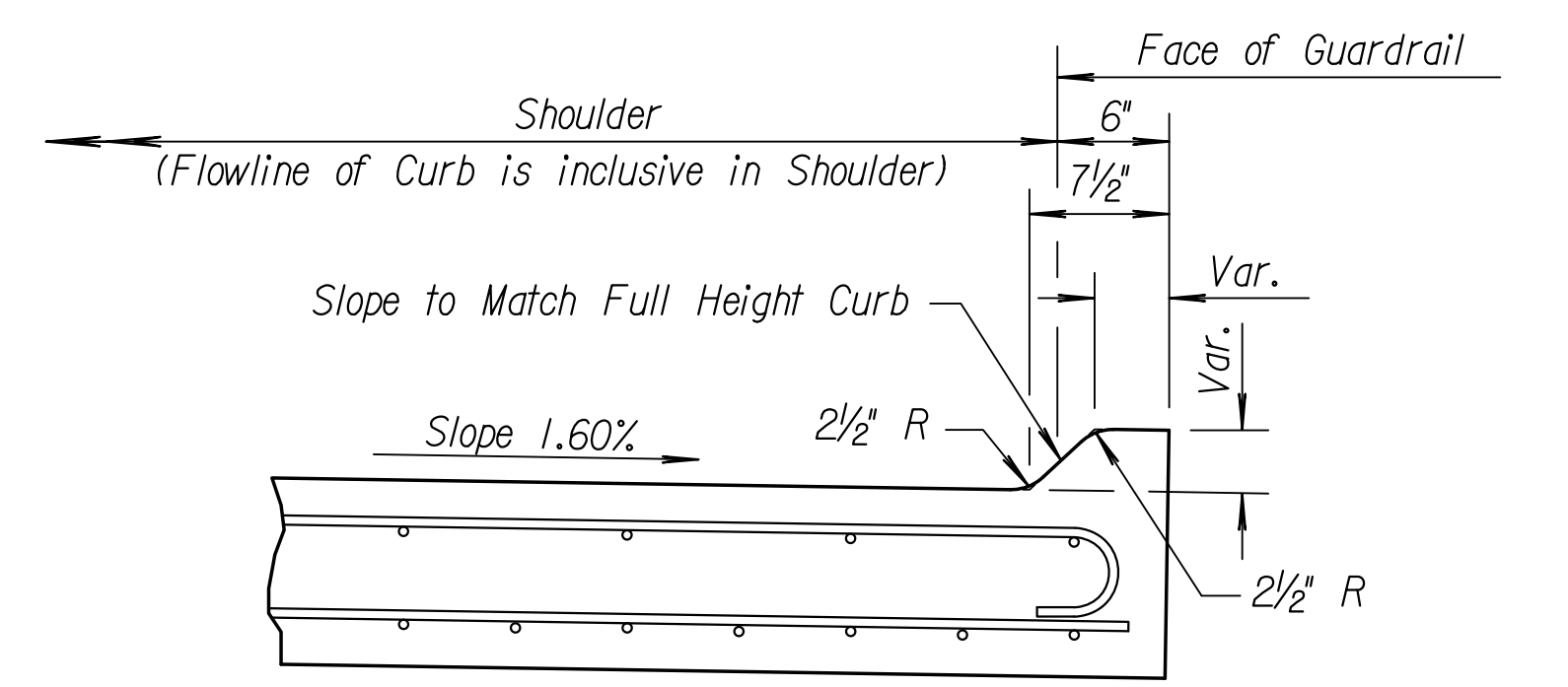


DETAIL OF LAP FOR WELDED WIRE REINFORCEMENT

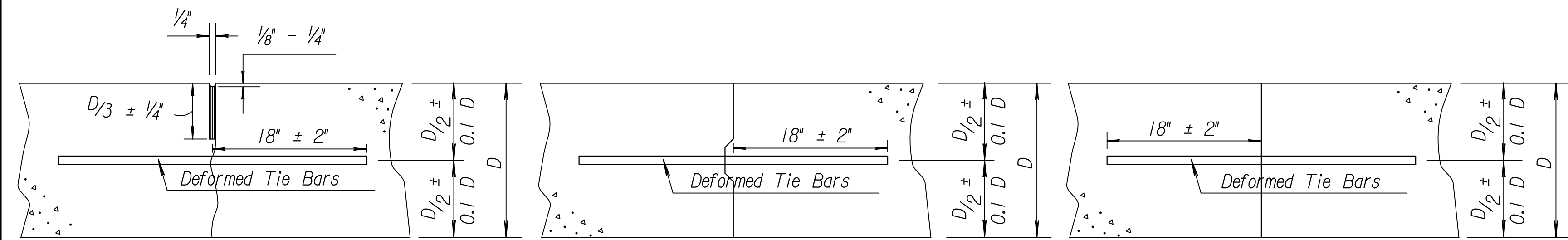
The lap shall extend beyond the first transverse or bag wire of each sheet.
 The sheet shall be wired securely at the edges and at intervals not to exceed 2'-6" for the full width of the sheet. Approximate weight of welded wire reinforcement = 58 lbs. per 100 sq. ft. Other methods for fastening the sheets of welded wire reinforcement at the laps may be used with the approval of the Engineer.



SECTION A-A

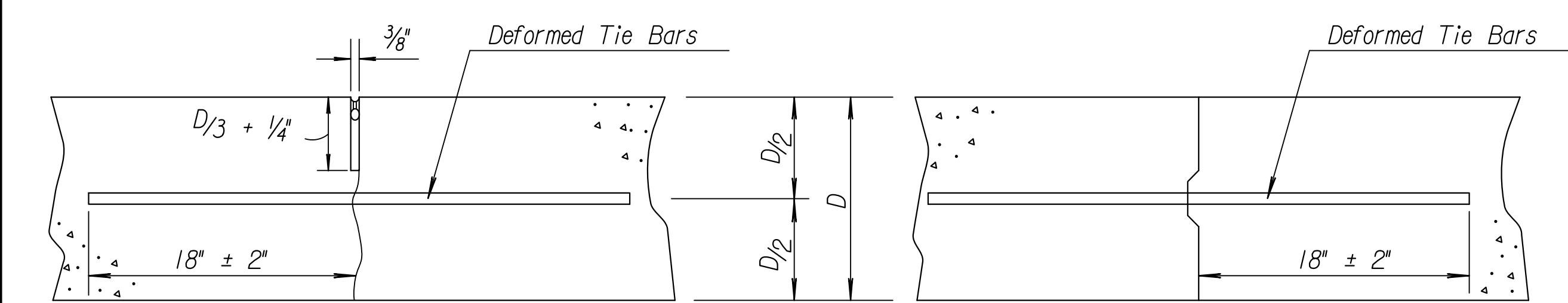


SECTION B-B



LONGITUDINAL JOINTS

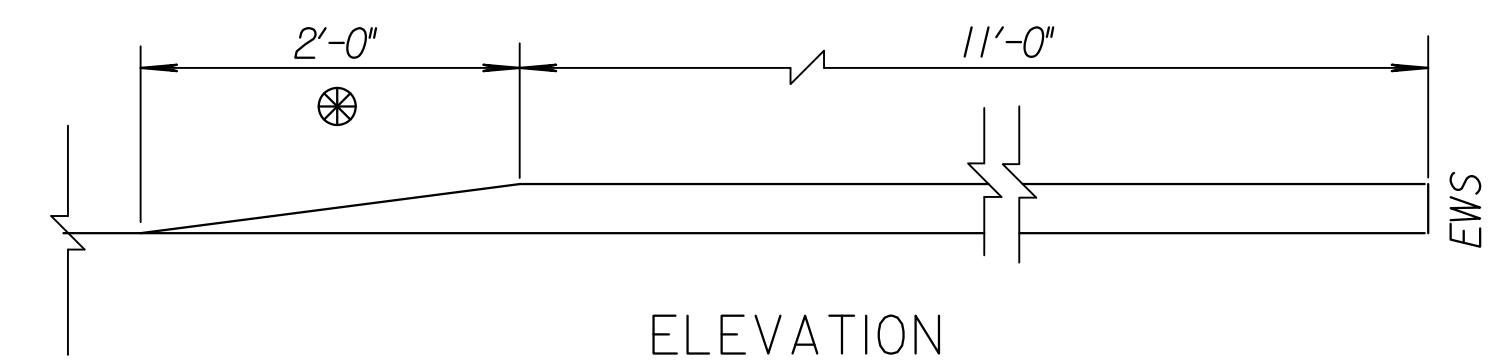
Note: For longitudinal construction joints the contractor has the option of using either the keyed or butt type. Place deformed tie bars mid-depth of the shoulder.



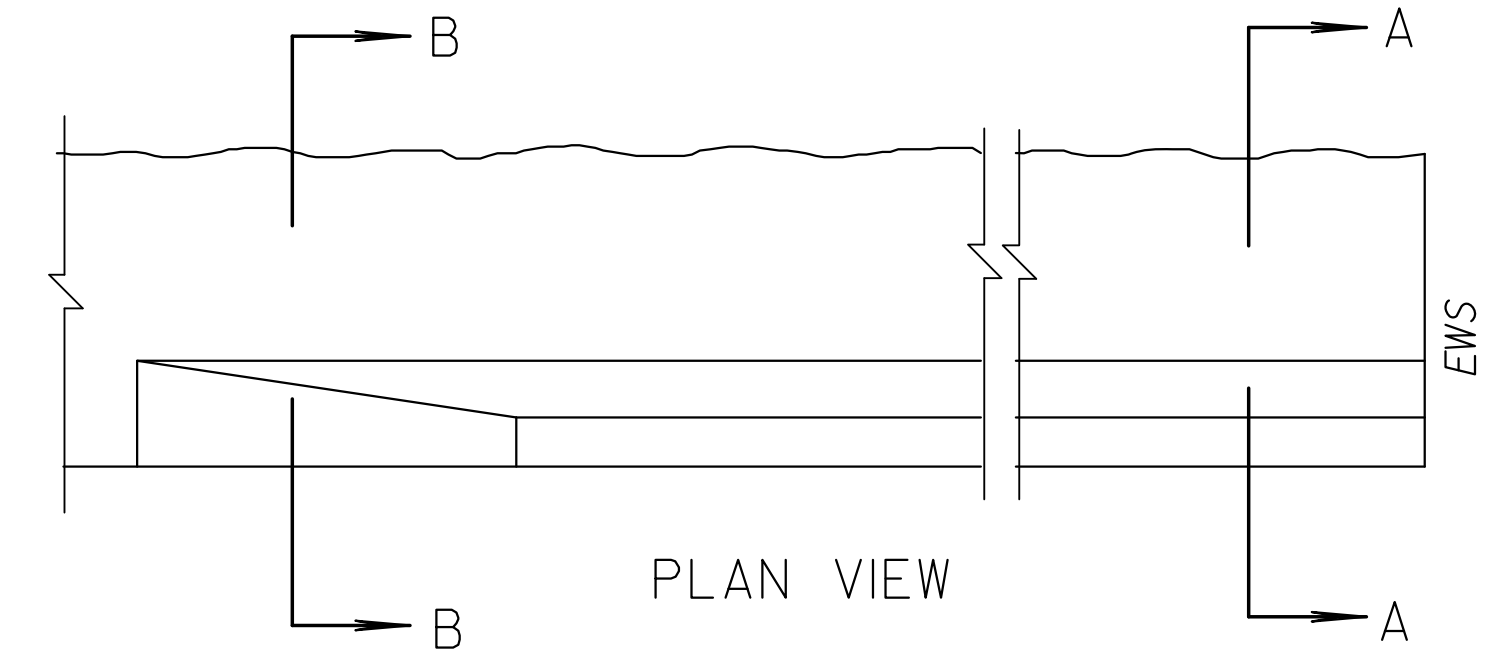
TRANSVERSE JOINTS

Note: A construction joint is required when the concrete placement has been interrupted for a substantial length of time or at the end of a day's placement.

No 4" Curb transition when adjacent to Flume Inlet.



ELEVATION



PLAN VIEW

4" EDGE CURB DETAIL

13	5-17-13	Revised Note, Longitudinal Joints	S.W.K.	J.O.B.
12	5-14-09	Pres. Relief Jt. to RD712/tie bar lab.	S.W.K.	J.O.B.
11	10-23-08	Revised Sec. A-A and Sec. B-B	S.W.K.	J.O.B.
10	10-3-07	Add. manufacturer jt. size recom'd.	S.W.K.	J.O.B.
NO.	DATE	REVISIONS	BY	APP'D

KANSAS DEPARTMENT OF TRANSPORTATION
MISCELLANEOUS DETAILS FOR CONCRETE BRIDGE APPROACH PAVEMENT
 RD711 10
 FHWA APPROVAL 10-23-13 APP'D. James O. Brewer
 DESIGNED QUANTITIES TRACED Bowser
 DESIGN CK. DETAIL CK. QUAN.CK. TRACE CK. King