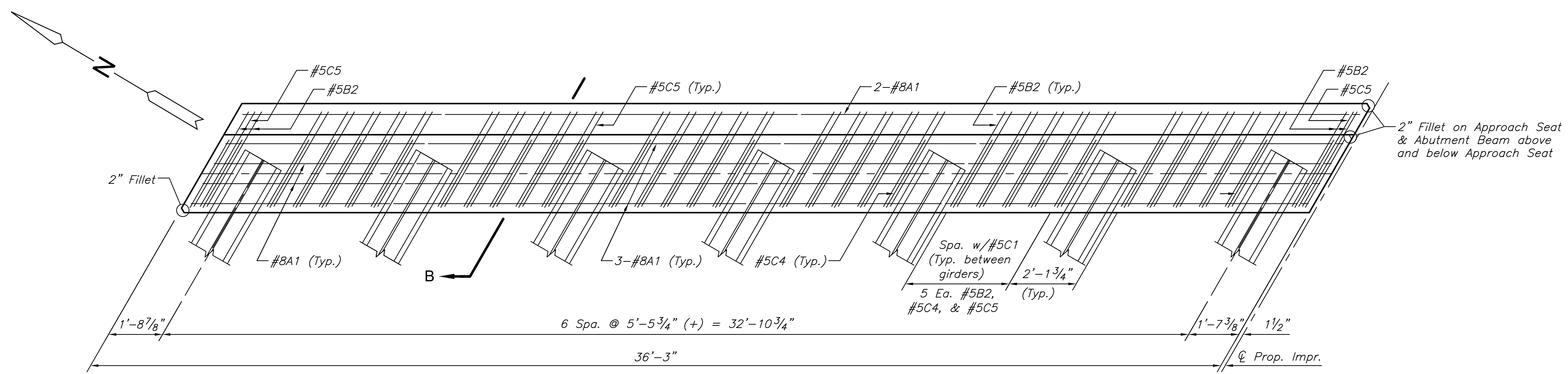


NO.	REVISION	DATE



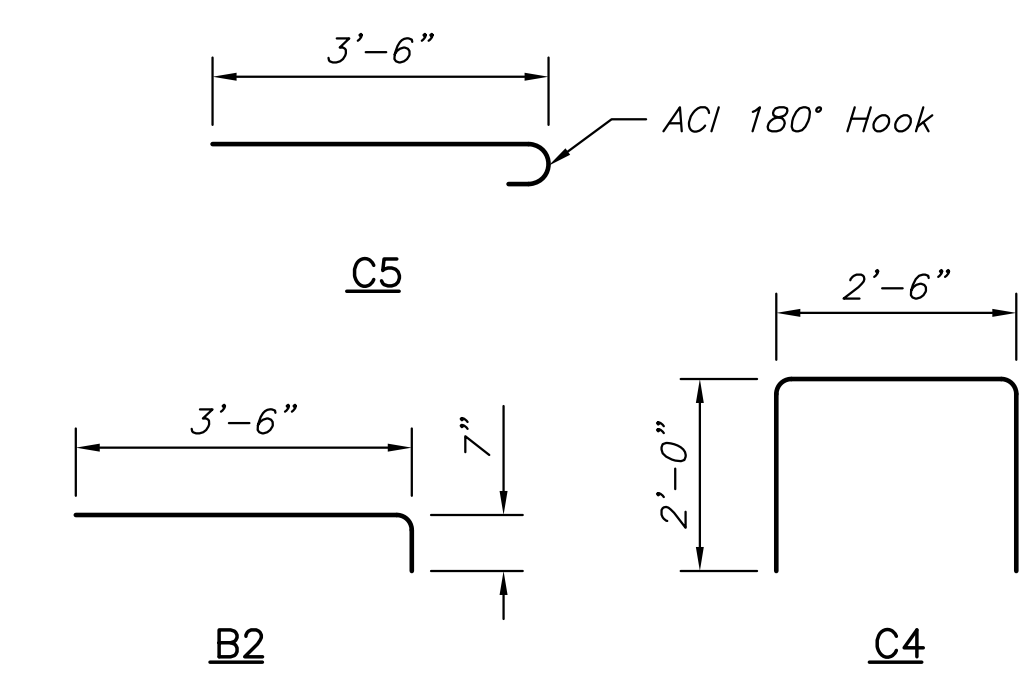
ABUTMENT DIAPHRAGM PLAN (PHASE 2 BRIDGE - ABUT. NO. 2)
Measured along ∅ Abutment

BILL OF REINFORCING STEEL
(One Abutment Diaphragm Shown)

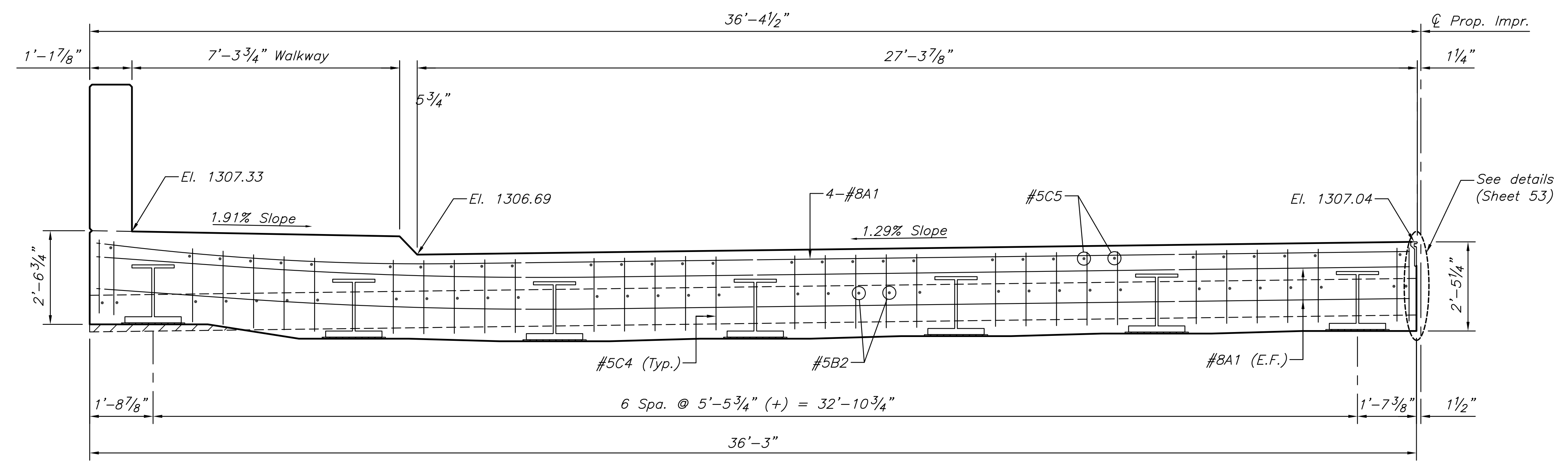
Epoxy Coated, Grade 60

∆ See Bending Diagram

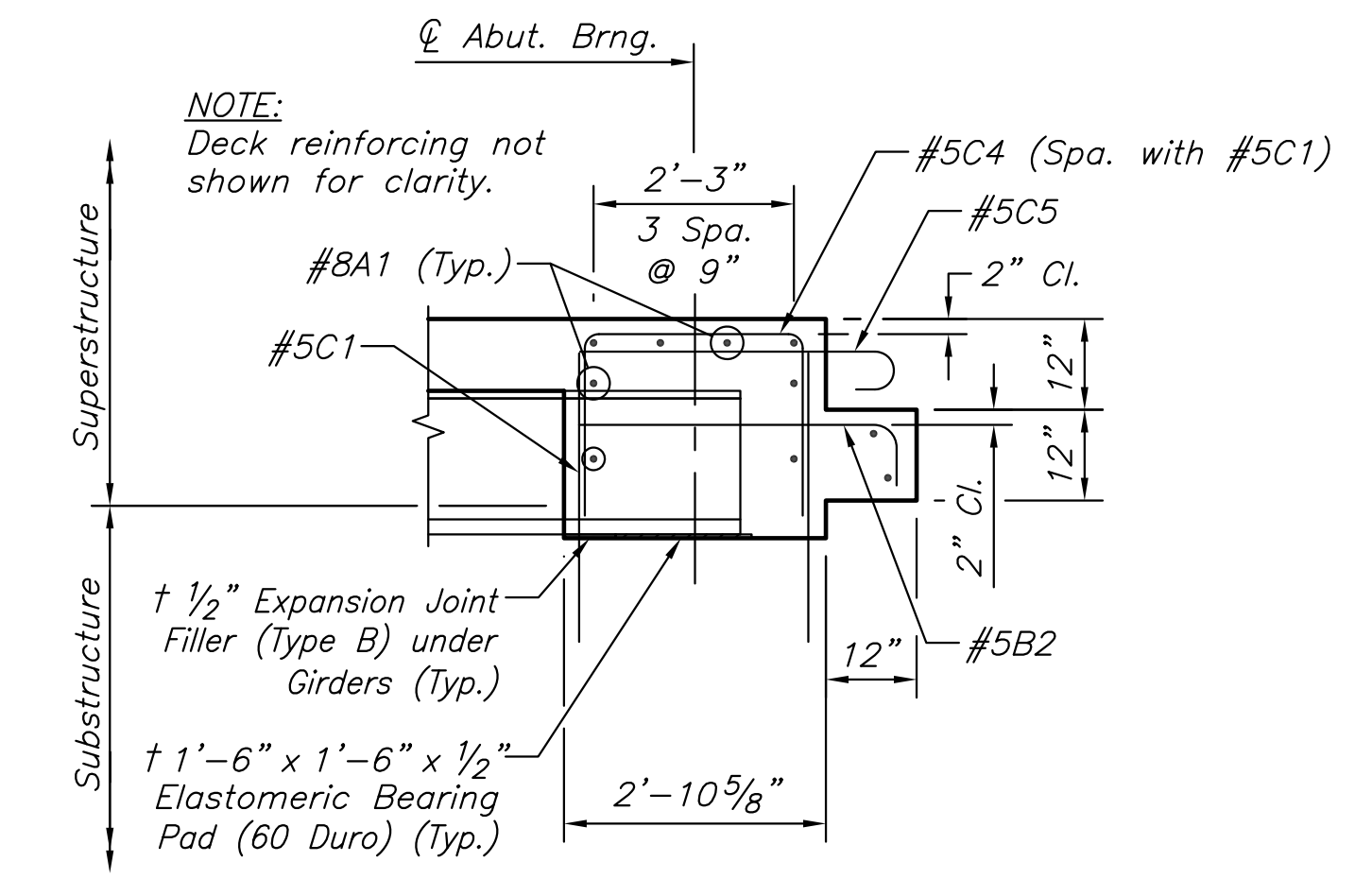
Bar	A1	∆ B2	∆ C4	∆ C5
No.	10	34	34	32
Size	#8	#5	#5	#5
Length	35'-10"	4'-1"	6'-6"	4'-1"



BAR BENDING DIAGRAMS
NOTE: All dimensions are out to out of bars.



ABUTMENT DIAPHRAGM ELEVATION (PHASE 2 BRIDGE - ABUT. NO. 2)
Measured along ∅ Abutment (Looking Forward Station)
Elevations shown at ∅ Abutment



ABUTMENT DIAPHRAGM SECTION 'B'
Measured along ∅ Bridge

† Type B Expansion Joint Filler and Elastomeric Bearing Pads shall be subsidiary to "Structural Steel (M 270M) (Gr 50WT2)"

PLOTTER: Tuesday, July 21, 2015 @ 10:11AM