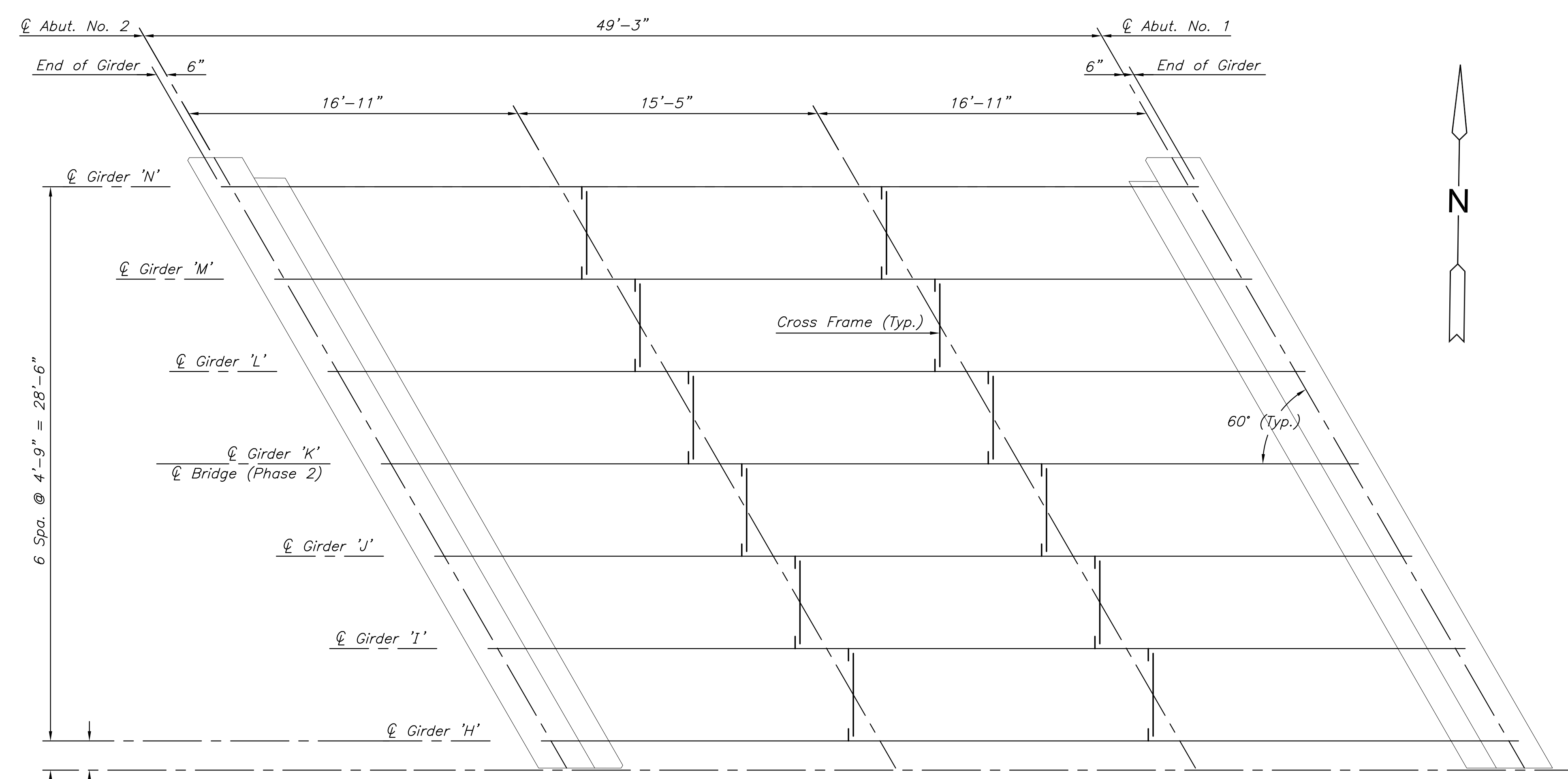


©2013 MKEC Engineering All Rights Reserved www.mkec.com
These drawings and their contents, including, but not limited to, all concepts, designs, & ideas are the exclusive property of MKEC Engineering (MKEC), and may not be used or reproduced in any way without the express consent of MKEC.

PHASE 2 BRIDGE FRAMING PLAN & GIRDER DETAILS

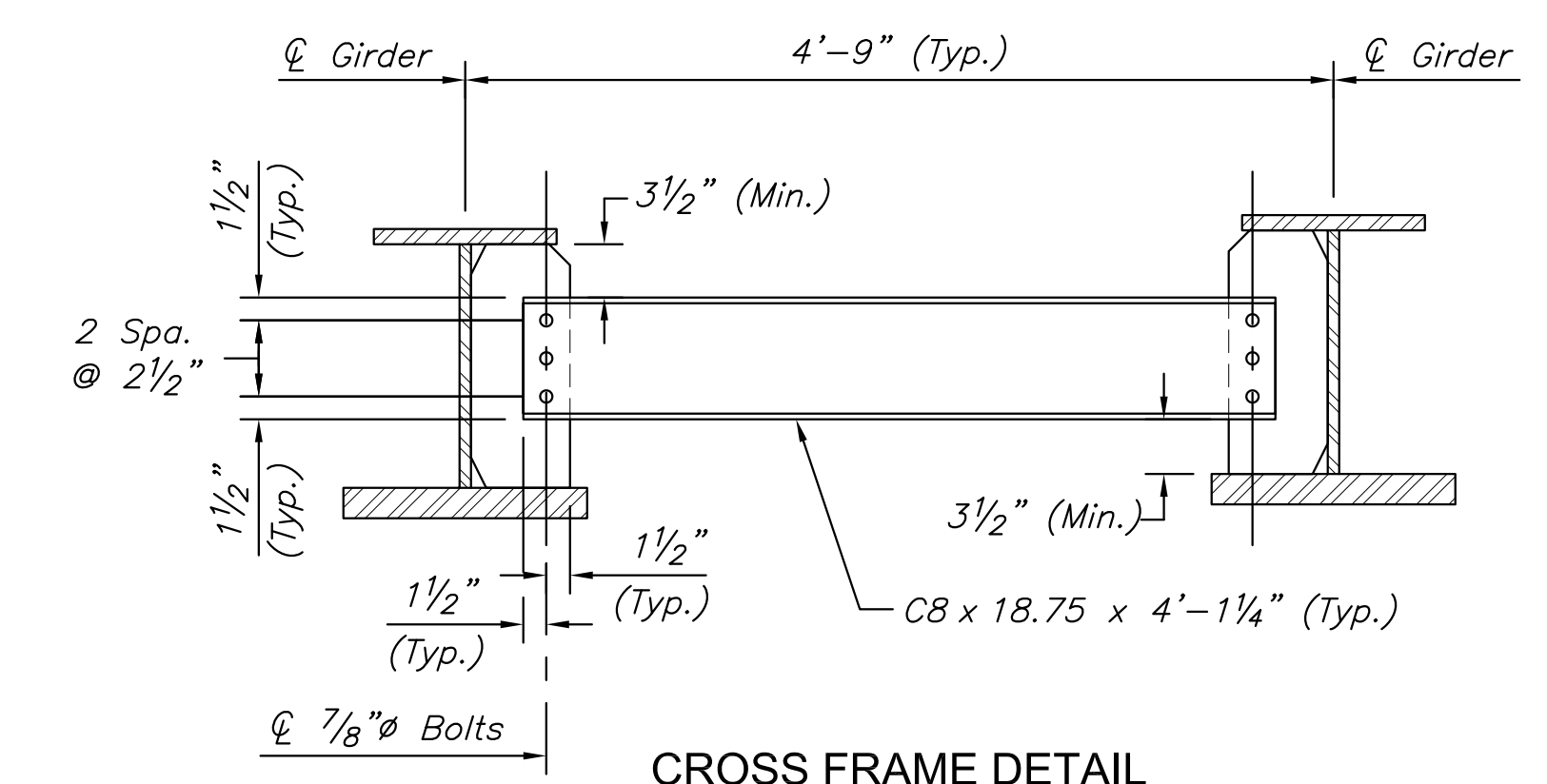
PROJECT NO.	87 N-0612-01	
DATE	JULY 2015	
SCALE	NO SCALE	
DESIGNED	DRAWN	CHECKED
KJS	DMU	KJS
NO.	REVISION	DATE



Abut. Brng. 24'-7 1/2" Symm. About

Dead Load (Steel)	0.00	0.12	0.22	0.29	0.33	0.35
Dead Load (Concrete)	0.00	0.35	0.62	0.81	0.93	0.96
Dead Load (Total)	0.00	0.47	0.84	1.10	1.26	1.31

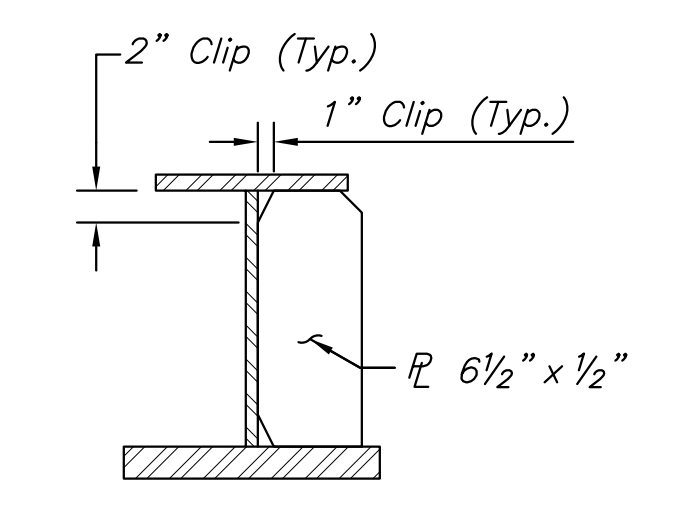
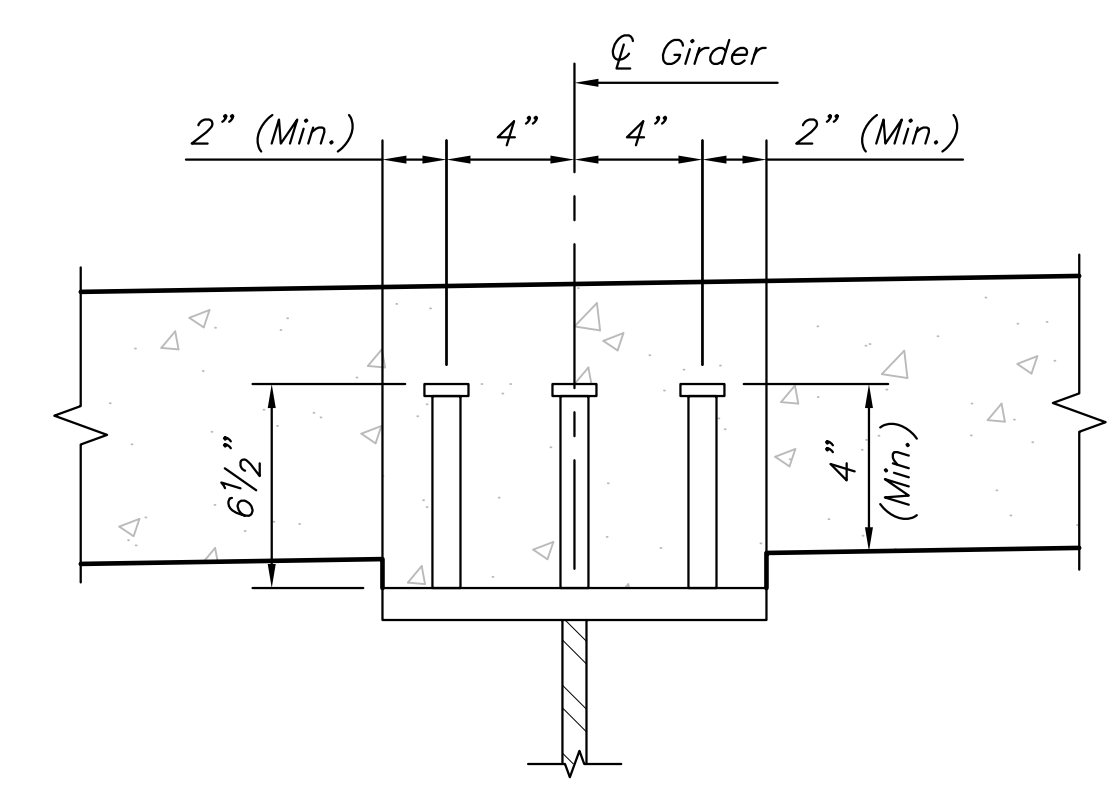
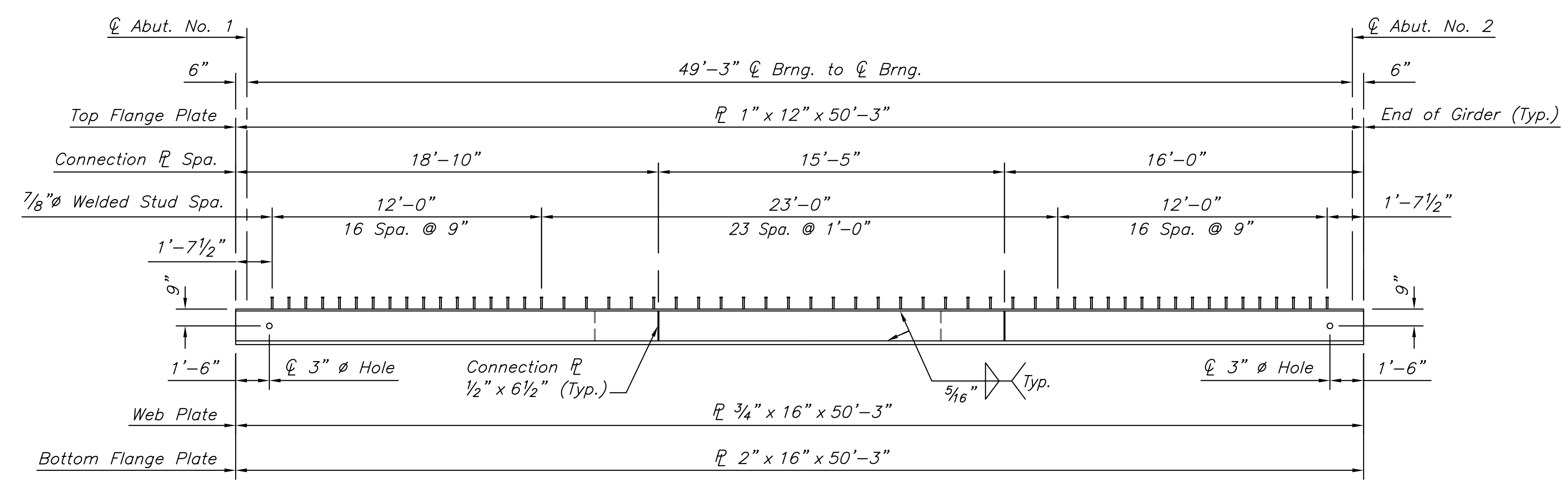
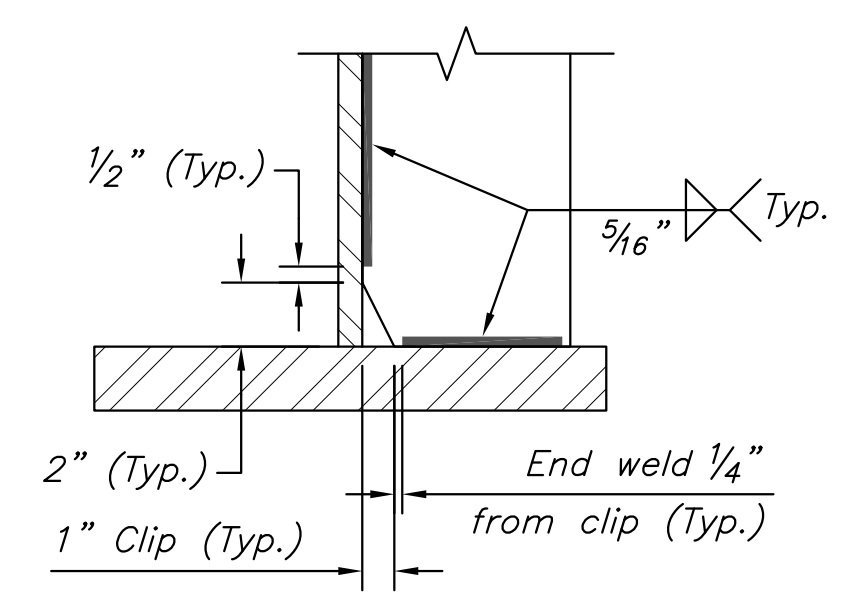
DEAD LOAD DEFLECTION DIAGRAM
(Dimensions shown in inches at tenth points)



STRUCTURAL STEEL SUMMARY - PHASE 2 (Lbs.)

Item	AASHTO M 270M Gr. 50W T3	ASTM A709 Gr. 50W T3	ASTM A709 Gr. 50W
Connection Plates			354
Cross Frames			924
Girder Web Plates		14,363	
Girder Flanges	52,664		
TOTAL	52,664	14,363	1,278

NOTE: Elastomeric Bearing Pads shall be subsidiary to the bid item "Structural Steel (M 270M) (Gr 50W T3)".



WELDED STUD SHEAR CONNECTOR DETAIL

CONNECTION PLATE DETAIL