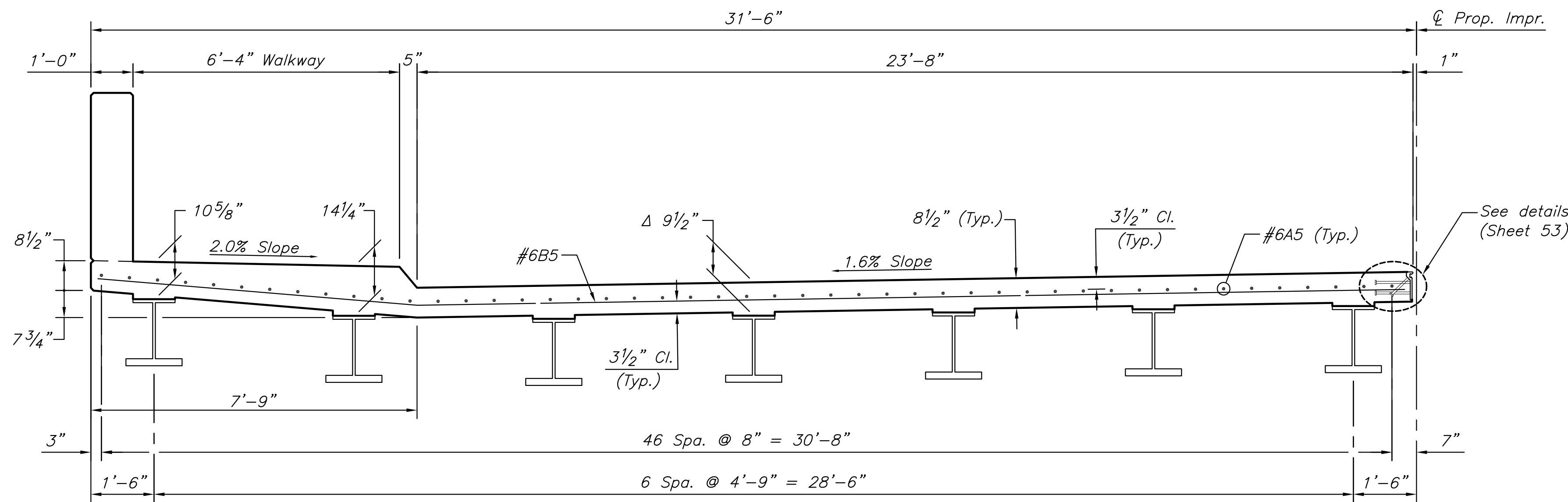


PLOTTER: Tuesday, July 21, 2015 @ 10:11AM

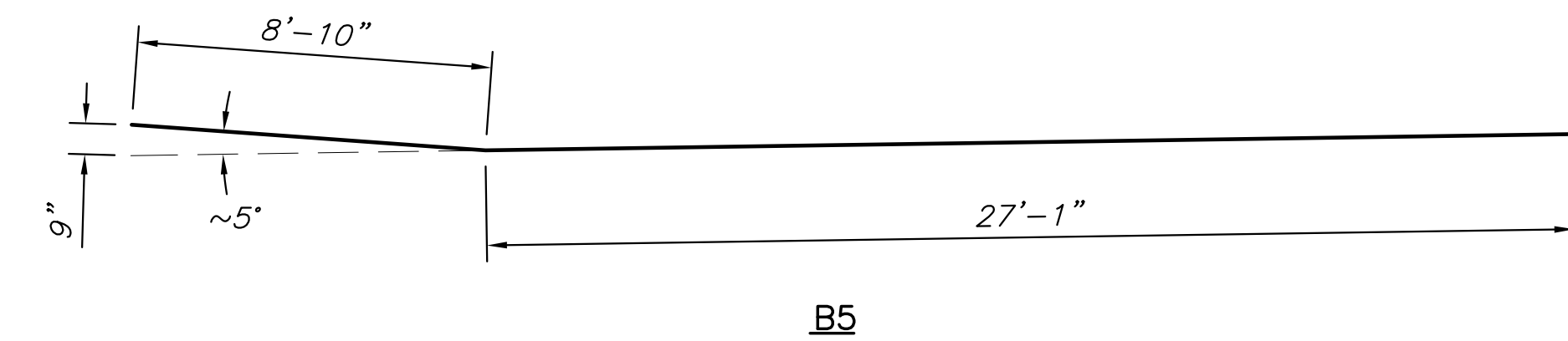


BRIDGE DECK SECTION (PHASE 2)

Shown perpendicular to CL Bridge (Phase 2)
(Looking forward Station)

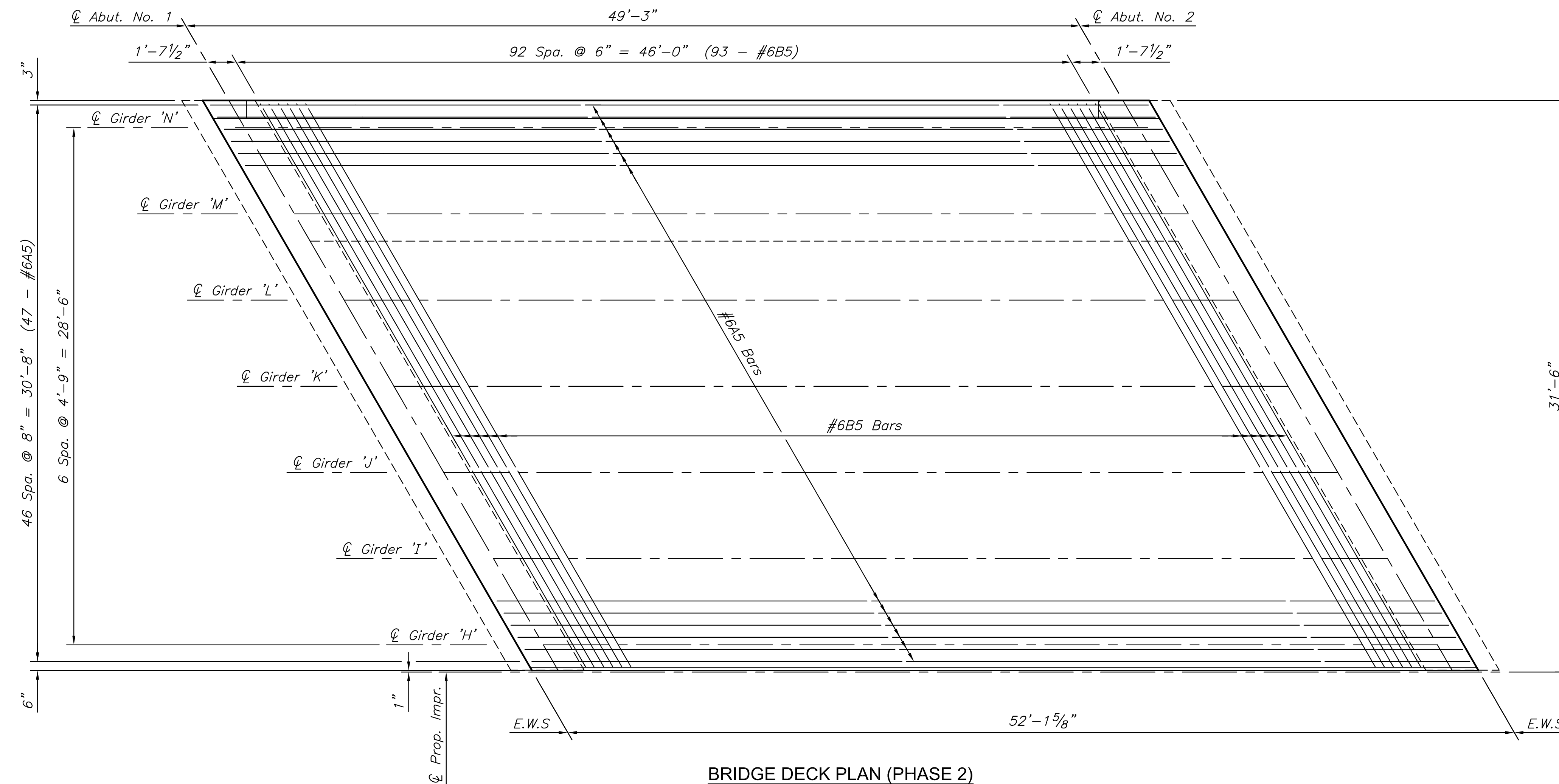
Δ The minimum dimension from top of slab to top of girder flange is $9\frac{1}{2}$ " at CL Abutments. See "FILLETS" note on "General Notes and Quantities" sheet 34.

BILL OF REINFORCING STEEL		
Epoxy Coated, Grade 60		
Δ See Bending Diagram		
Bar	A5	Δ B5
No.	47	93
Size	#6	#6
Length	51'-8"	35'-11"



BAR BENDING DIAGRAMS

NOTE: All dimensions are out to out of bars.



BRIDGE DECK PLAN (PHASE 2)



CONSTRUCTION PLANS FOR
21ST STREET BRIDGE AT DERBY REFINERY
 WICHITA, KANSAS

©2013
MKEC Engineering
All Rights Reserved
www.mkec.com
These drawings and their contents, including, but not limited to, all concepts, designs, & ideas are the exclusive property of MKEC Engineering (MKEC), and may not be used or reproduced in any way without the express consent of MKEC.

PHASE 2 BRIDGE SUPERSTRUCTURE DETAILS

PROJECT NO.	87 N-0612-01	
DATE	JULY 2015	
SCALE	NO SCALE	
DESIGNED	DRAWN	CHECKED
KJS	DMU	KJS

NO.	REVISION	DATE

SHEET NO.