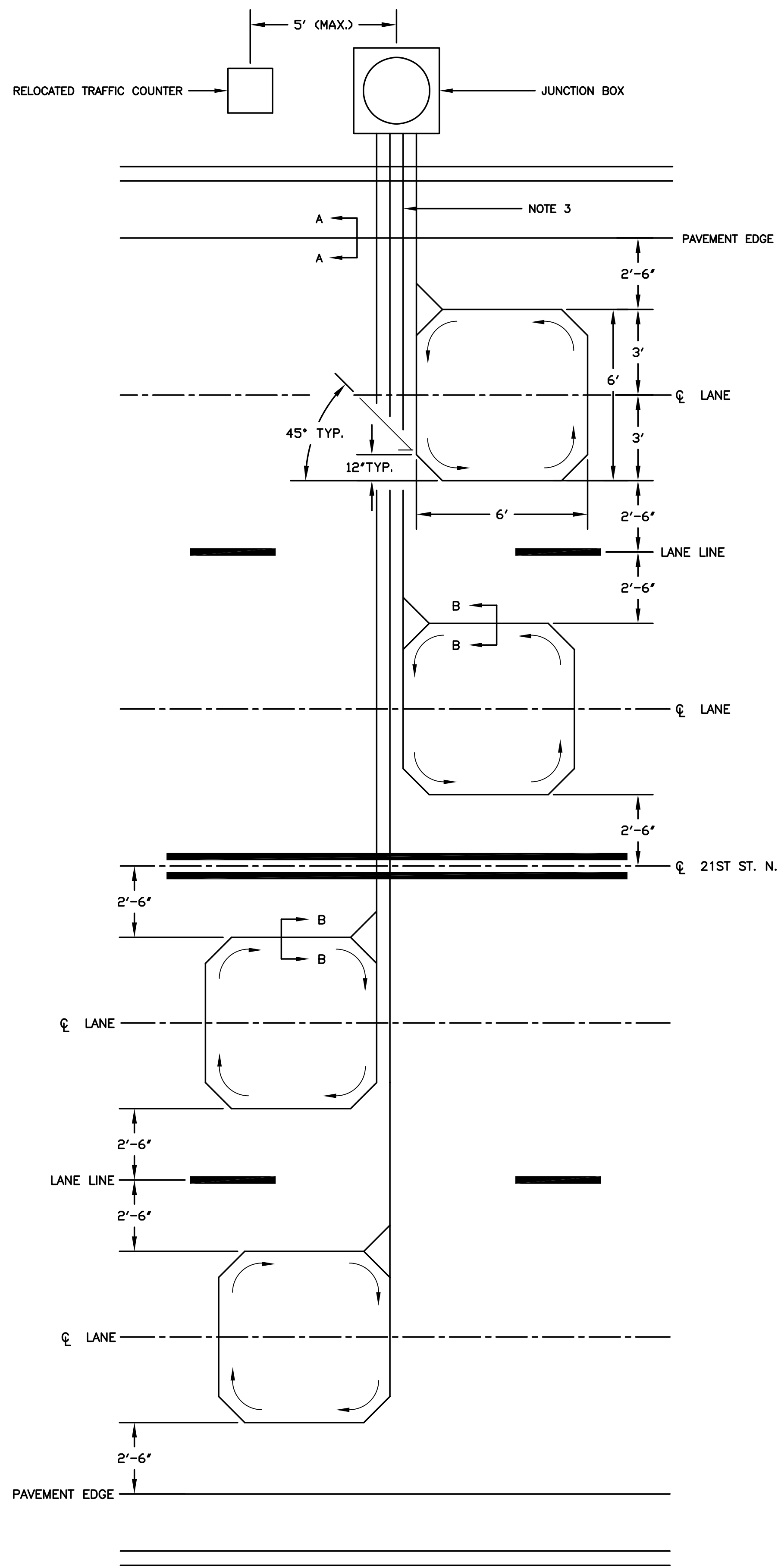


STATE	PROJECT NO.	YEAR	SHEET NO.	TOTAL SHEETS
KANSAS	87 N-0612-01	2015	67	84

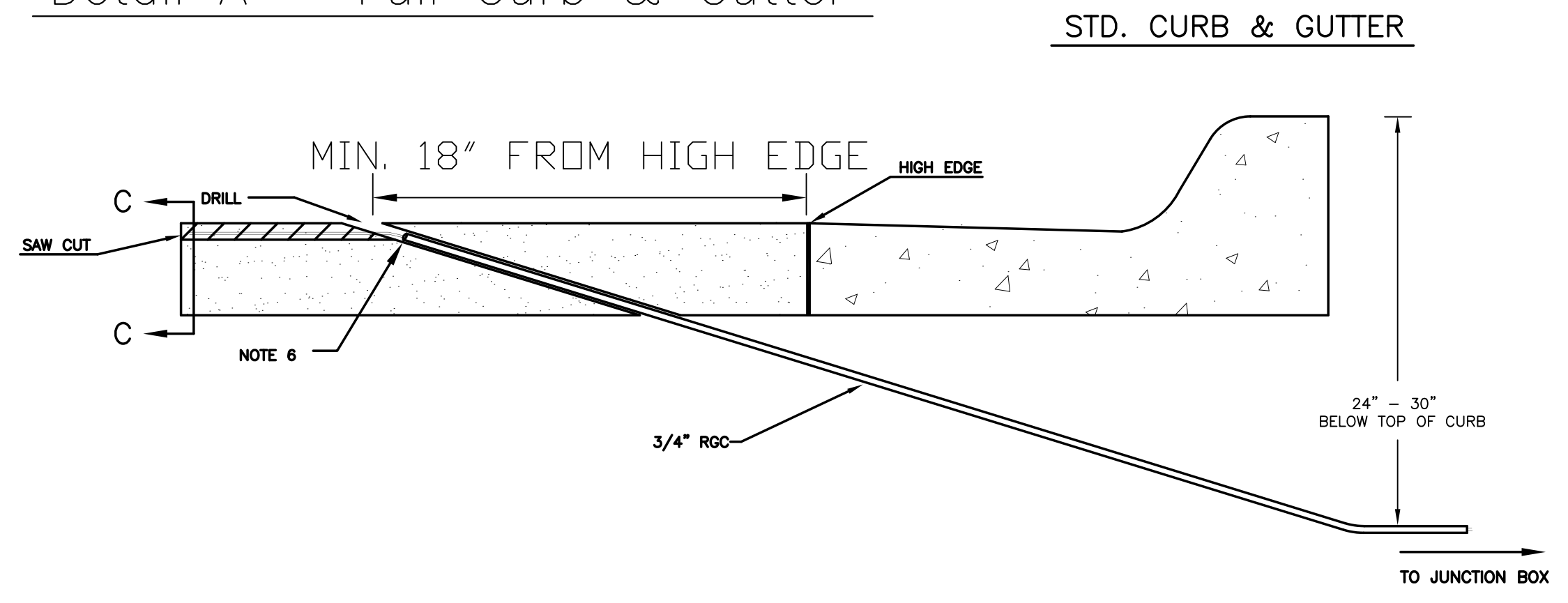


Detector Loop Installation

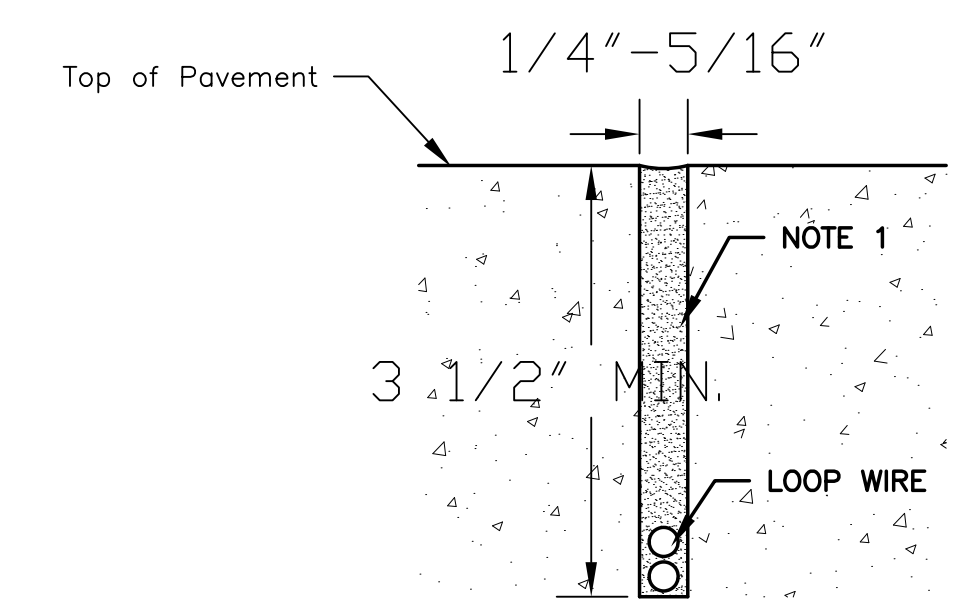


Loop Construction/Installation Details

Detail A - Full Curb & Gutter



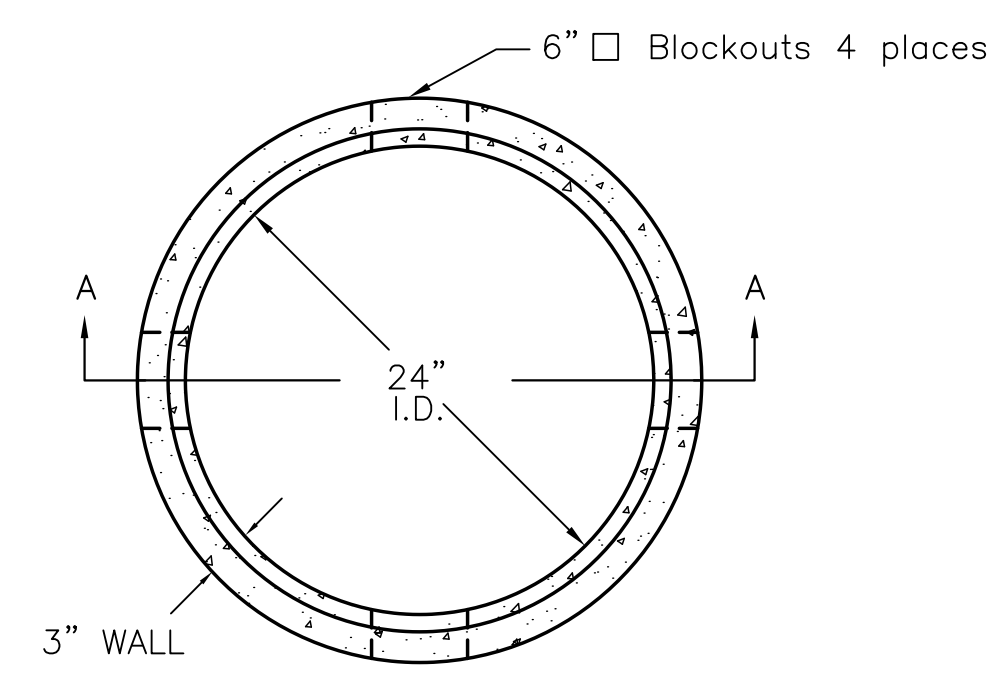
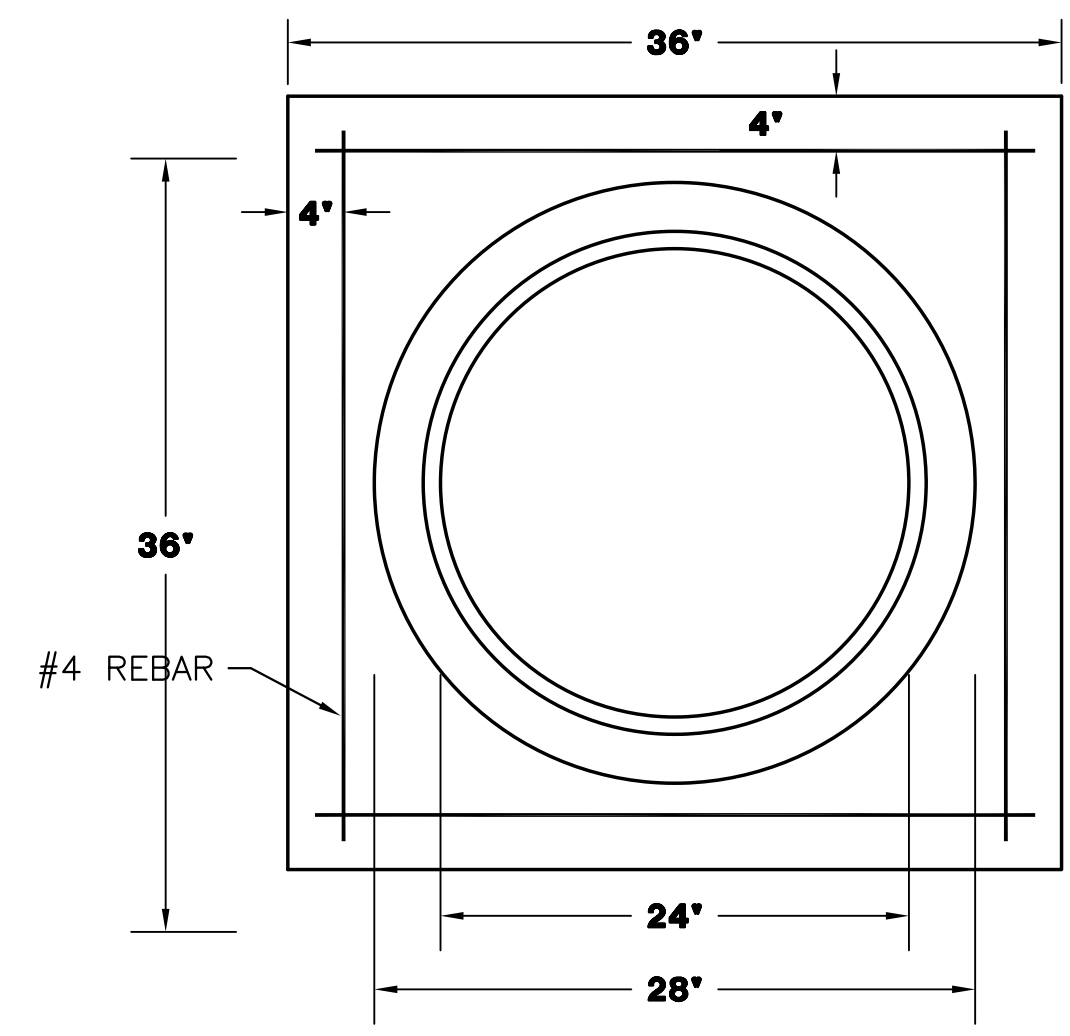
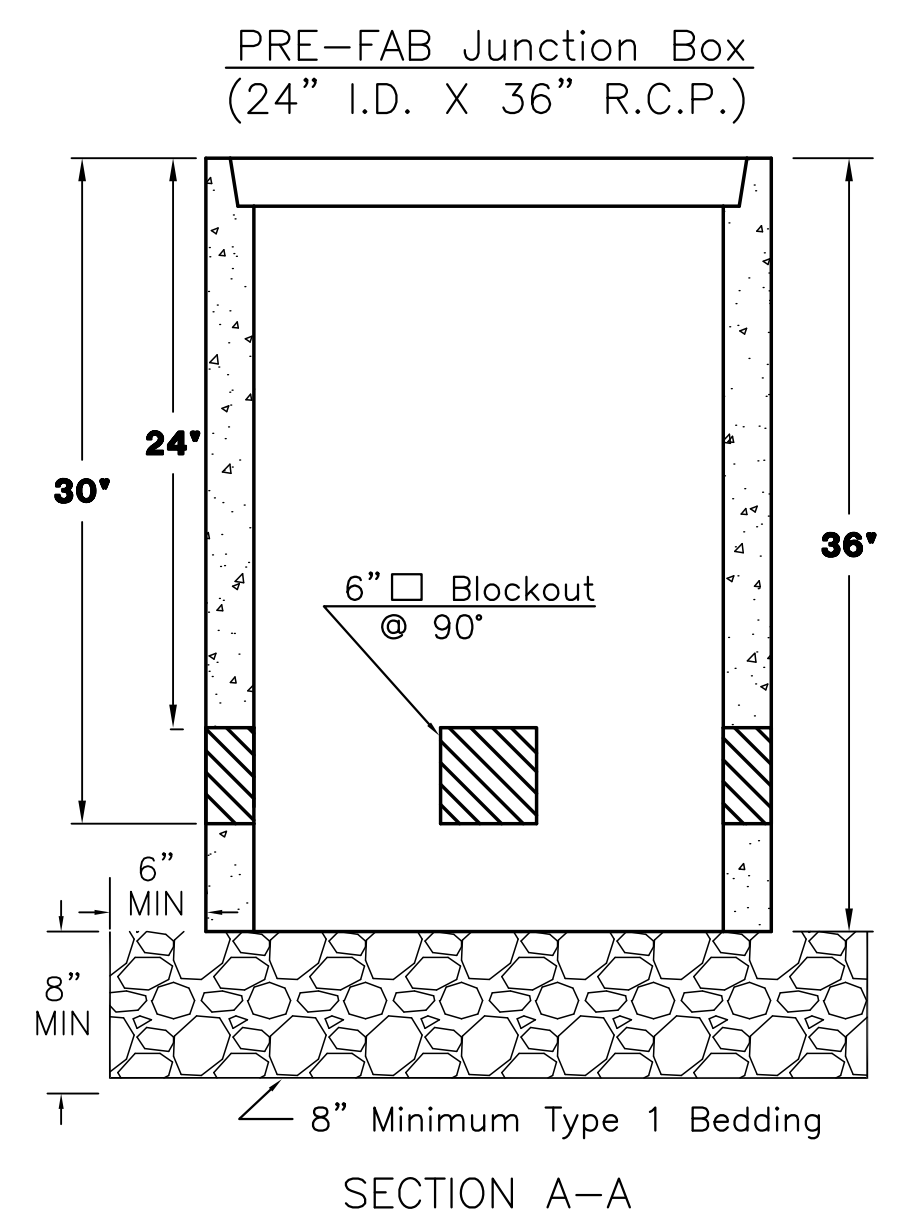
Detail B - Saw Cut



NOTES:

1. Loop saw cut shall be filled with approved sealant to within 1/8" of pavement surface.
2. All loops shall be wound in the same direction.
3. Loop wire between the loop and the service/junction box shall be twisted 6 turns per meter.
4. No expansion joint in the pavement or curb & gutter shall be utilized in the placement of loop wire runs or conduit embedding.
5. The loop wire shall not pass through any part of any drive approach and/or corner radius.
6. All conduit ends shall be sealed with duct seal to prevent loop sealant from entering conduit.
7. Loop feeder conduit shall be a minimum of 12" from any other loop feeder conduit.
8. Saw cuts running parallel with expansion joint or any other saw cut shall be a minimum of 12" apart.
9. a. Loops 25' or less - 4 turns.
b. Loops over 25' - 3 turns.
c. Quadrapole loops - 2-4-2 turns.
10. The loop wire shall have 2" slack at all crossings of pavement joints to allow for expansion/contraction of pavement. - Detail D"
11. Connection of the loop wire to the traffic counter shall be subsidiary to "Detector Loop Installation". The junction box construction shall be paid for as "Junction Box". The relocation of the traffic counter, including re-establishing electrical service shall be by others.

JUNCTION BOX DETAILS



JUNCTION BOX CAP
36" x 36" x 6"
TOP OF CAP TO BE FLUSH WITH GROUND LEVEL.

** SEE SERVICE BOX INSTALLATION FOR RING & COVER DETAILS.

CONSTRUCTION PLANS FOR
21ST STREET BRIDGE AT DERBY REFINERY
 WICHITA, KANSAS

©2013 MKEC Engineering All Rights Reserved www.mkec.com
 These drawings and their contents, including, but not limited to, all concepts, designs, & ideas are the exclusive property of MKEC Engineering (MKEC), and may not be used or reproduced in any way without the express consent of MKEC.

DETECTOR LOOP DETAILS

PROJECT NO.	472-85120	
DATE	JULY 2015	
SCALE	NO SCALE	
DESIGNED	DRAWN	CHECKED
JRA	DMU	JRA

NO.	REVISION	DATE

SHEET NO.