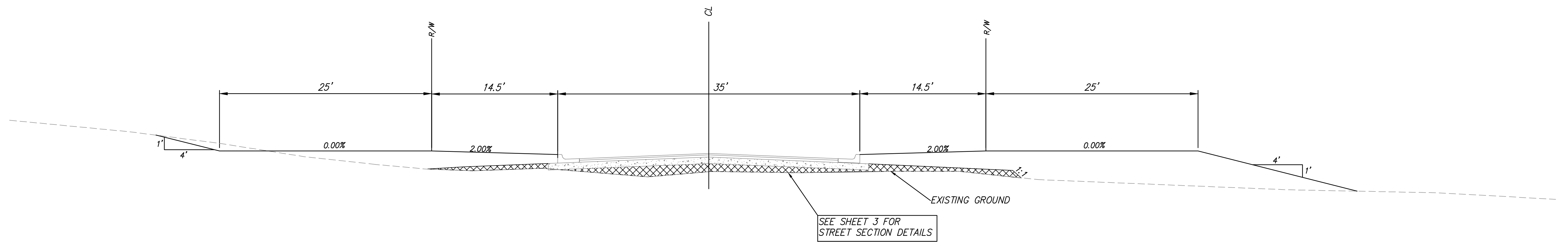
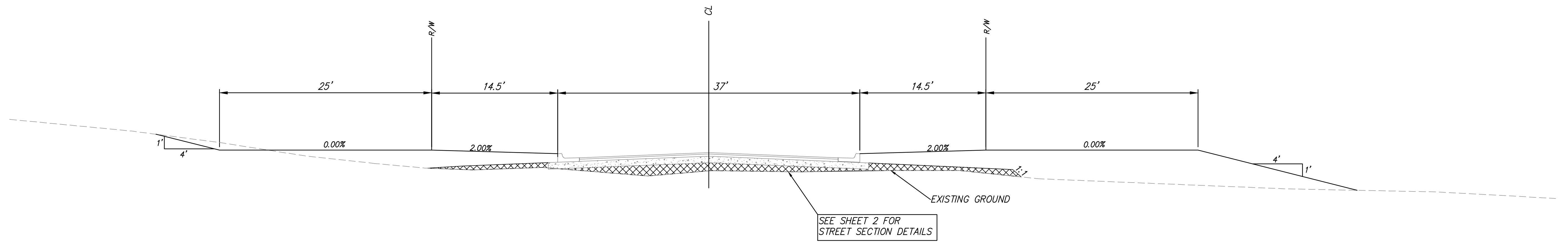


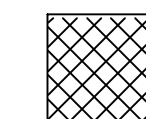
TYPICAL 58' ROW GRADING SECTION




TYPICAL 64' ROW GRADING SECTION



TYPICAL 66' ROW GRADING SECTION

 Fill Compacted to 90% Standard Density

F:\Projects\Projects 4500-4599\4532E (Brentwood South Addition Ph 5 Engineering)\4532E Paving Details.dwg

Brentwood South Addition Street Sections				
SEAL	 RUGGLES & BOHM		DATE	
	ENGINEERING SURVEYING LANDSCAPE ARCHITECTURE GOVERNMENT 924 NORTH MAIN WICHITA, KANSAS 67203 P (316) 264-8008 F (316) 264-4021 WWW.RB-KANSAS.COM		DESIGN EJG	
	PROJECT NUMBER 472-85218	RB JOB NO. 4532E	DWG. SCALE ...	DRAWN DS
	DRAWING FILE 4532 Paving Details (Street Sections)		REVIEW	SHEET 5 OF 39