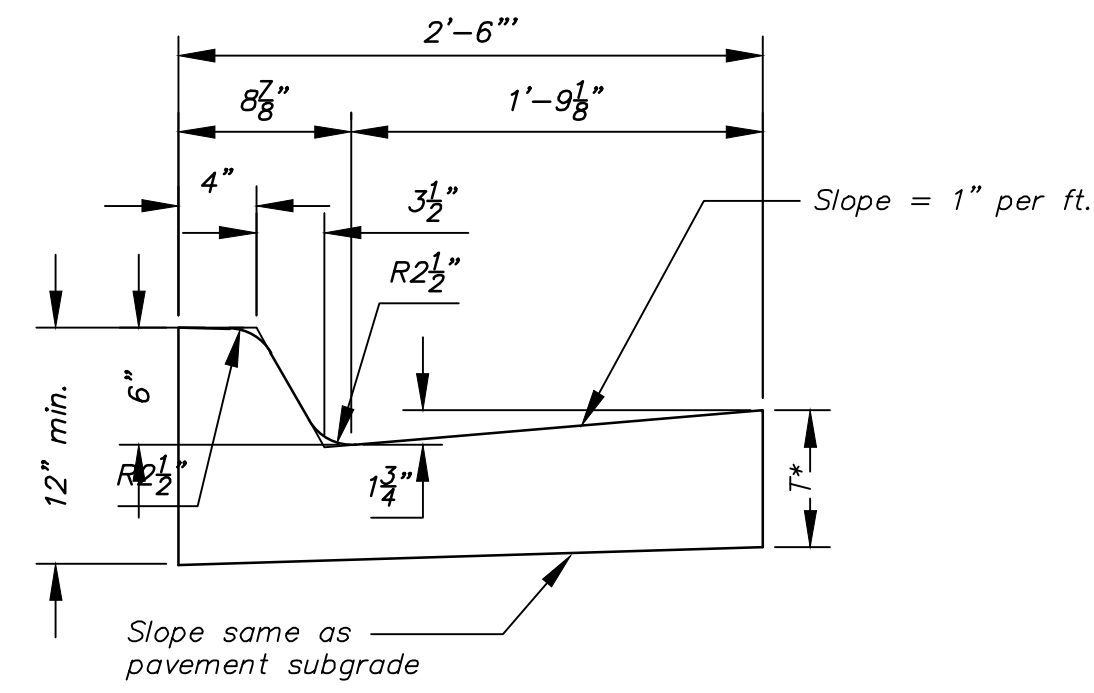
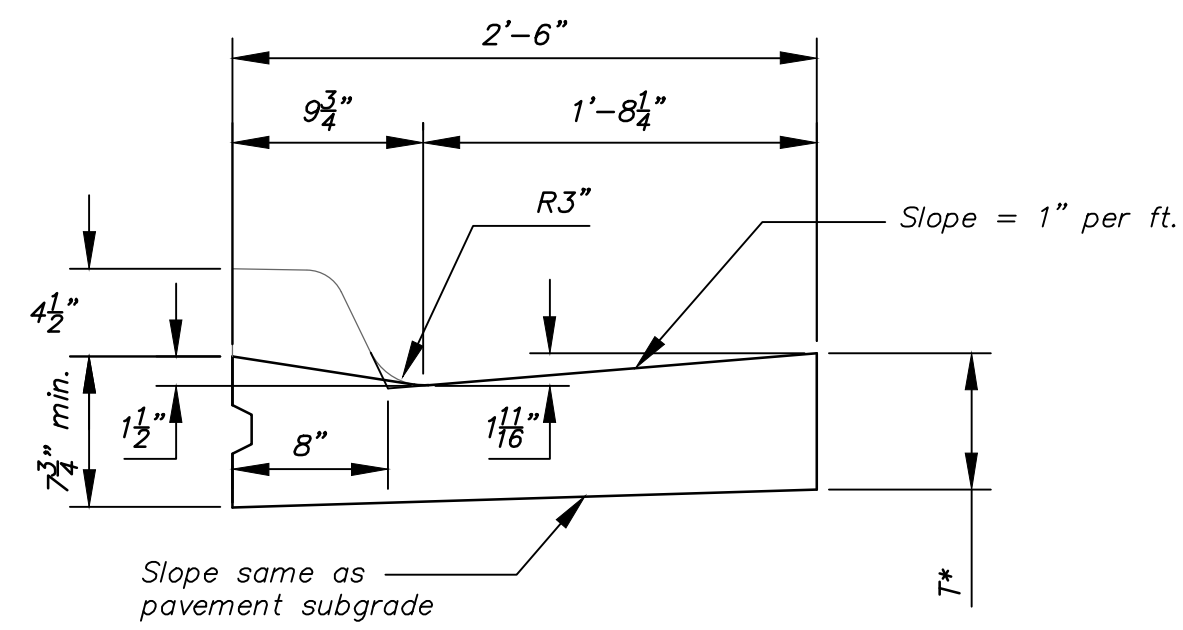


TYPE 1  
(Arterial curb)

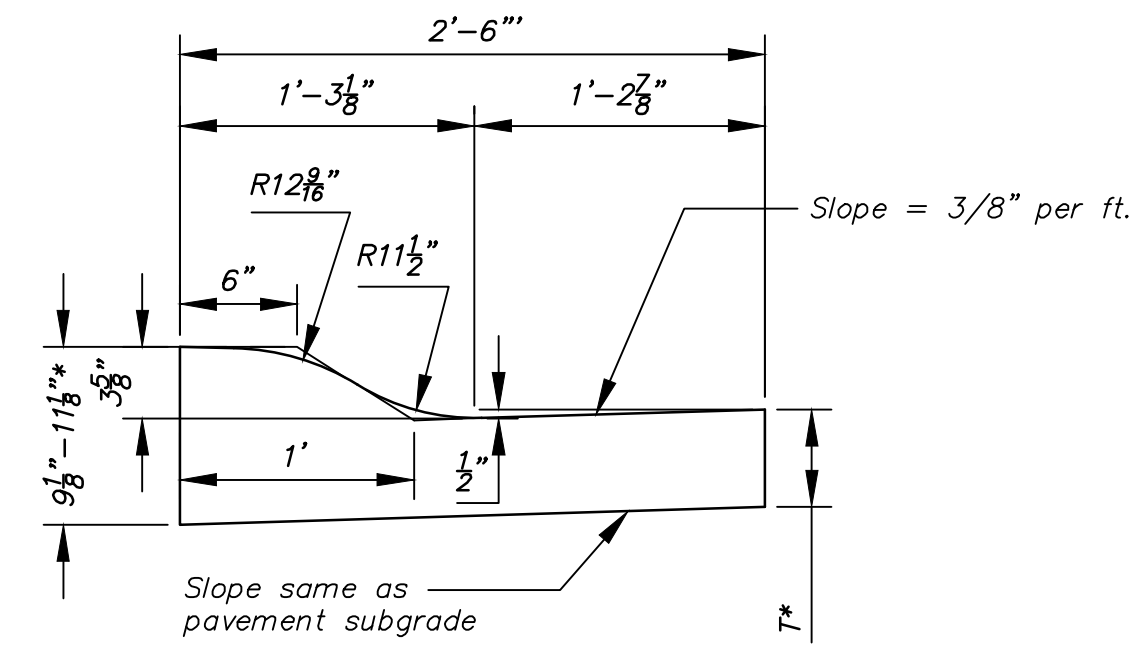


Combined Curb & Gutter (6")

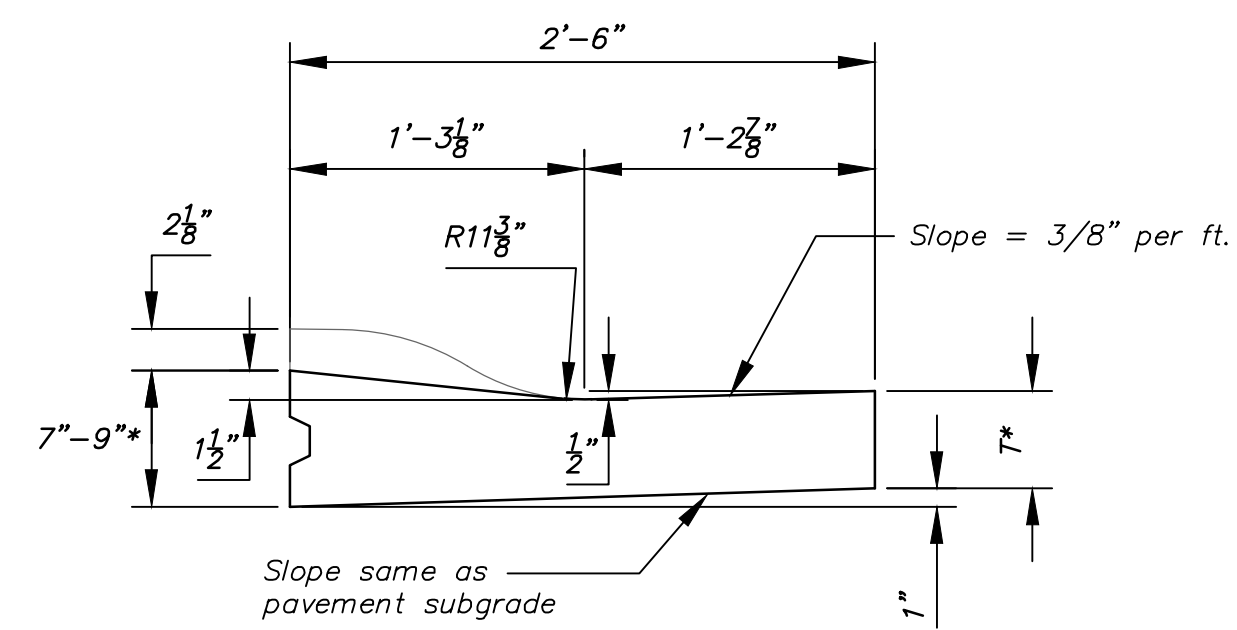


Combined Curb & Gutter (1 1/2")

TYPE 2  
(Roll curb)

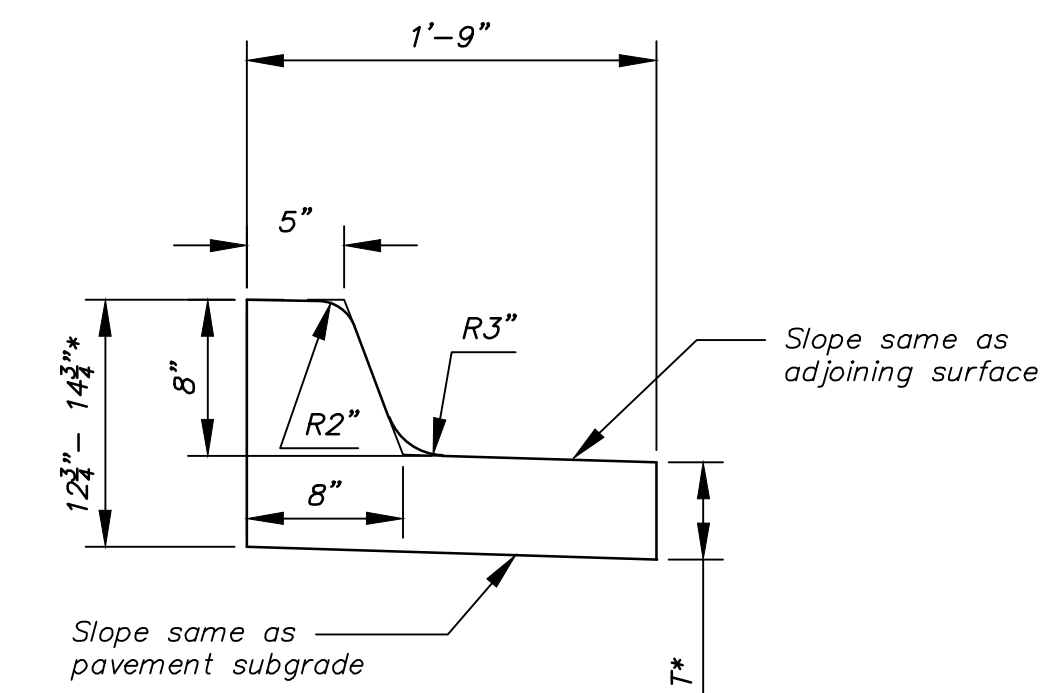


Combined Curb & Gutter (3 5/8")

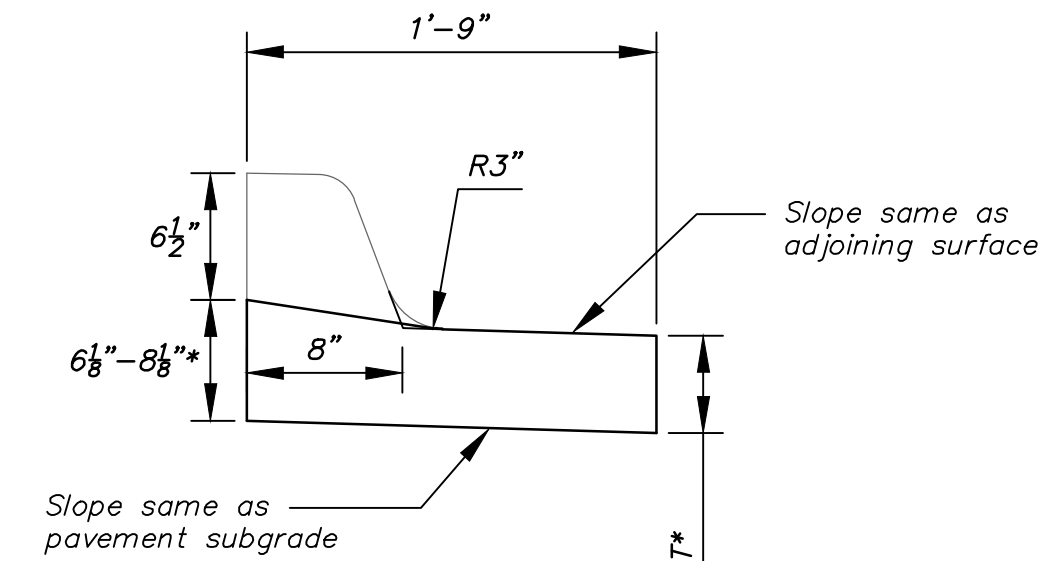


Combined Curb & Gutter (1 1/2")

TYPE 3  
(Median curb)

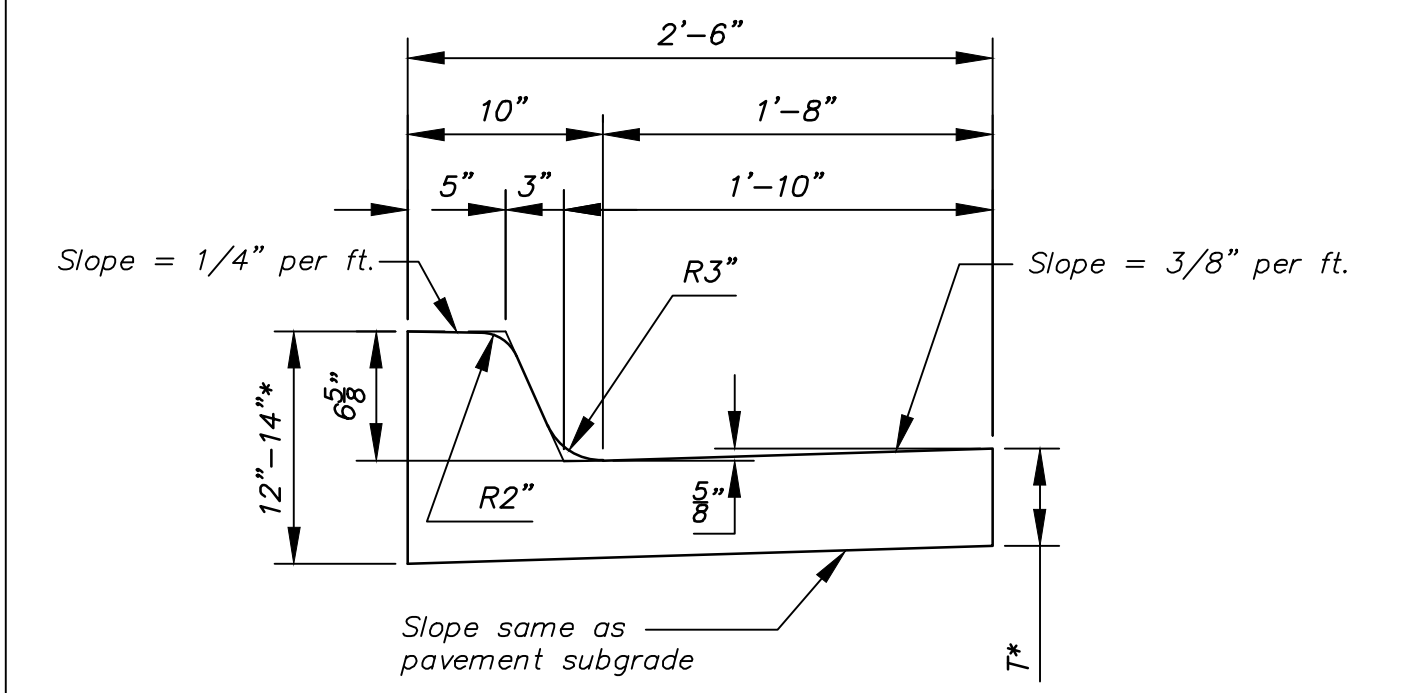


Combined Curb & Gutter (8")

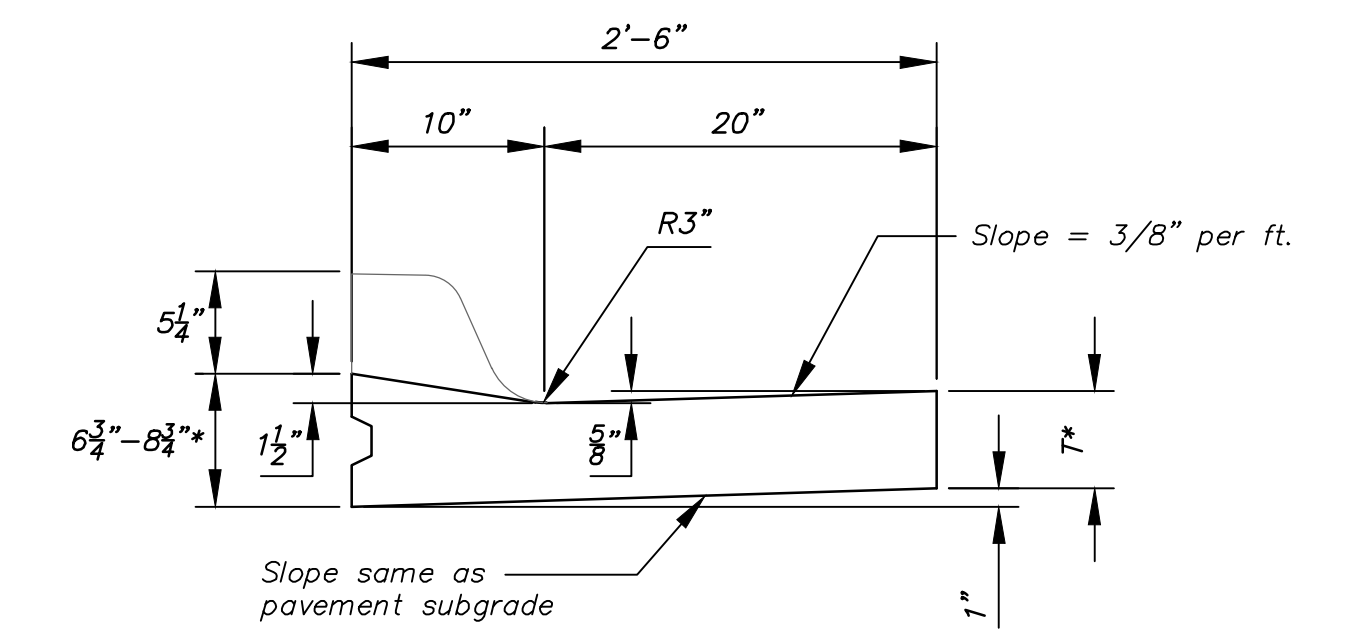


Combined Curb & Gutter (1 1/2")

TYPE 4  
(Residential curb)



Combined Curb & Gutter (6 5/8")

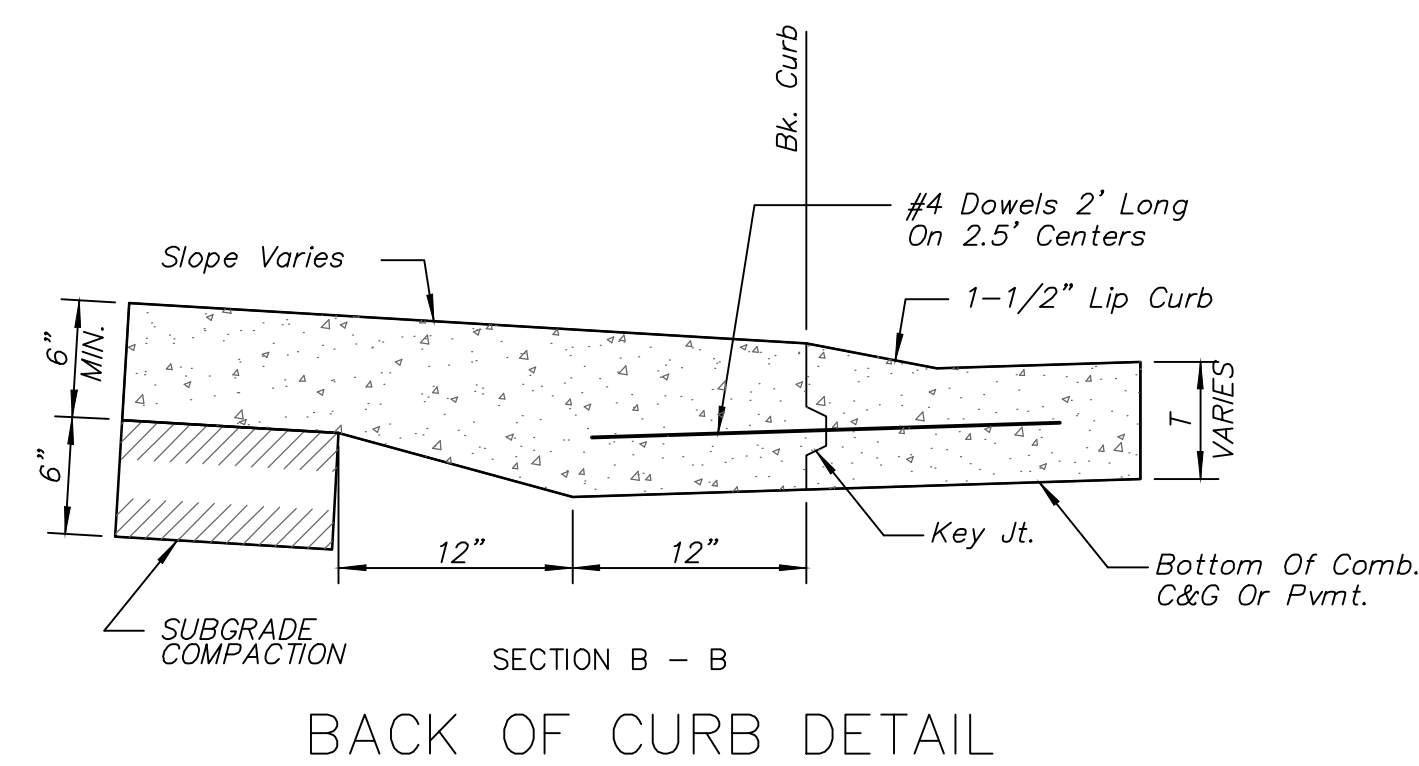


Combined Curb & Gutter (1 1/2")

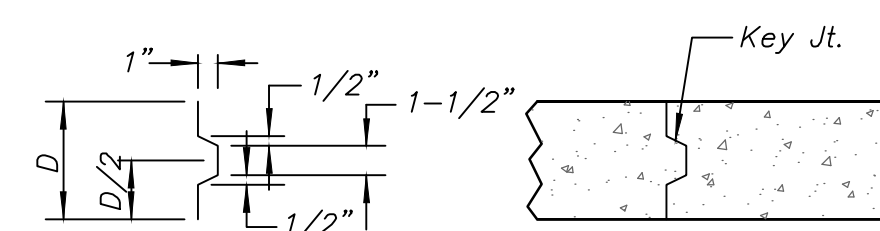
T\* = Thickness of curb to adjust with pavement thickness

GENERAL NOTES

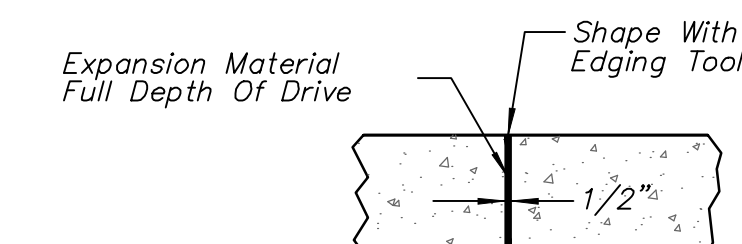
- Expansion (isolation) joints shall be constructed a maximum of 300' apart and at all Pls, PCs, cul-de-sac quadrants, and ends of returns.
- Contraction joints shall be constructed a minimum of 12' apart.
- Joint sealer shall be required at all joints on arterial and industrial streets and at intersections on residential streets.



ALT. LONGITUDINAL CONSTRUCTION JOINT



EXPANSION JOINT (E.J.)



<b>CURB &amp; GUTTER DETAILS</b>		
CITY ENGINEER <b>GARY JANZEN, P.E.</b>		
PROJECT NUMBER 472-85218	OCA NUMBER 766339	DATE 12/2010
CITY ENGINEER'S OFFICE CITY HALL - SEVENTH FLOOR 455 NORTH MAIN STREET WICHITA, KANSAS 67202-1620 (316) 268-4501		SHEET <b>6</b> 39