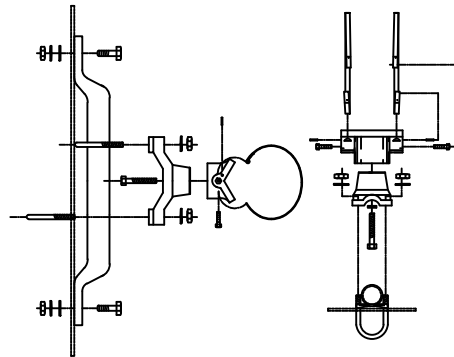
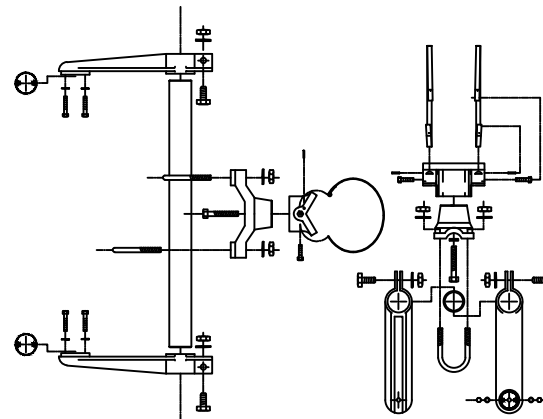


BANDED SIGN MOUNTING BRACKET DETAIL



TYPE I SIGNAL MOUNTING BRACKET ASSEMBLY DETAIL



STANDARD SIGNING

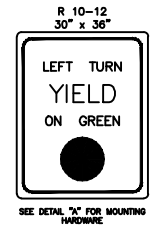


PLATE MARKING OPTION

DWG. NO. N45AND-X

WALKER PUSHBUTTON STATION

Message and Sound options include:

- Locating tone
- Verbal Street Name (Example: Crossing Main at Central)
- All features field selectable using a Configurator.

Construction:

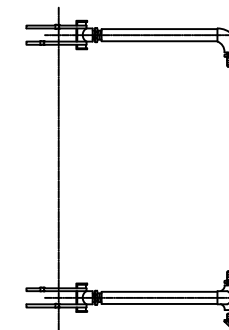
- Die-cast aluminum, powder coated Black in color.
- Street Name in Braille in the directional arrow of the sign.
- Standard Option signing option.

Push button:

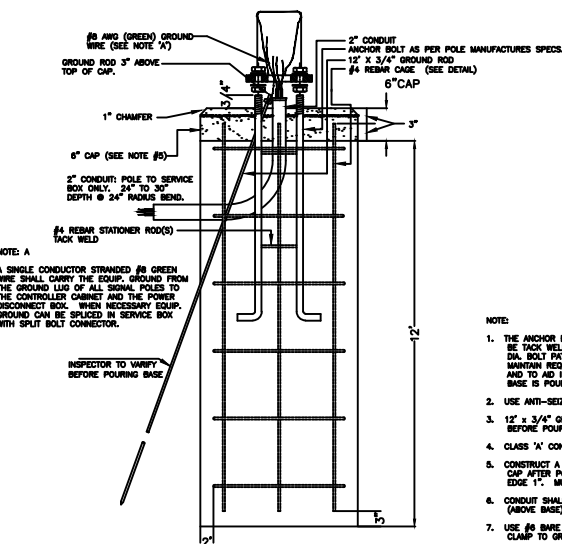
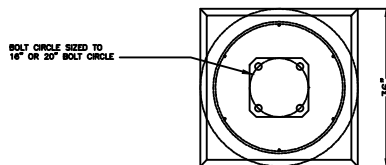
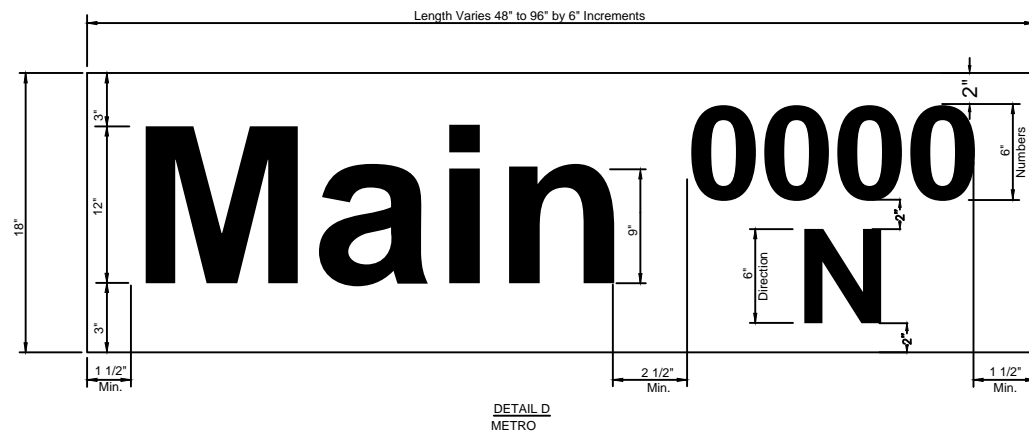
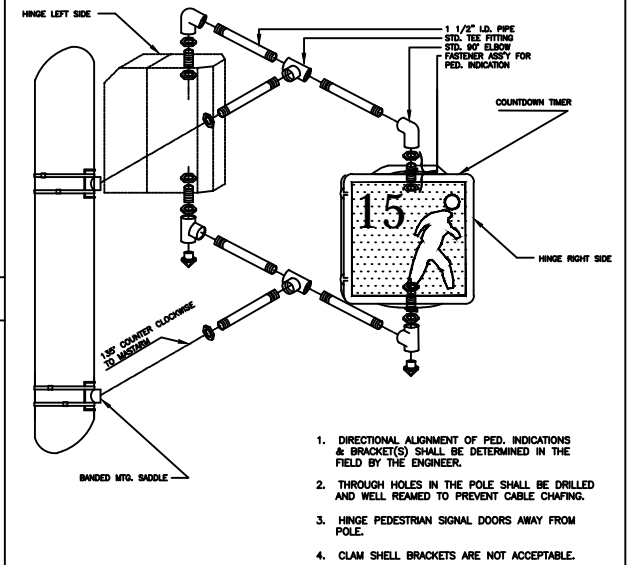
- ADA compliant
- Raised tactile arrow on the button
- Solid State switch rated at a Minimum of 20 million actuations

STANDARD OPTION

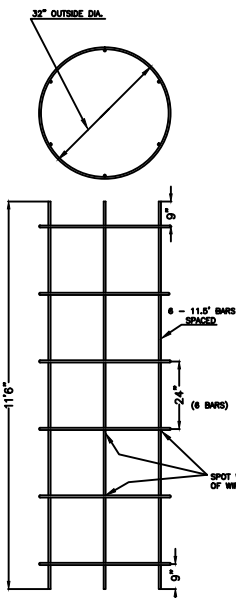
TYPE III SIDE-OF-POLE MOUNTING BRACKET ASSEMBLY



TYPE II SIGNAL MOUNTING BRACKET ASSEMBLY (SIDE-OF-POLE)



REBAR CAGE



CITY OF WICHITA

PUBLIC WORKS & UTILITIES ENGINEERING DIVISION

REVISED: AUGUST 2015

STEEL SIGNAL POLE ASSEMBLY DETAILS

TRAFFIC ENGINEER
BRIAN A. COON, P.E.

PROJECT NUMBER P125130050	OCA NUMBER 707074	DATE 9/29/2015
------------------------------	----------------------	-------------------

CITY ENGINEER'S OFFICE
CITY HALL - SEVENTH FLOOR
455 NORTH MAIN STREET
WICHITA, KANSAS 67202-1620
(316) 268-4501

SHEET
13 of 26