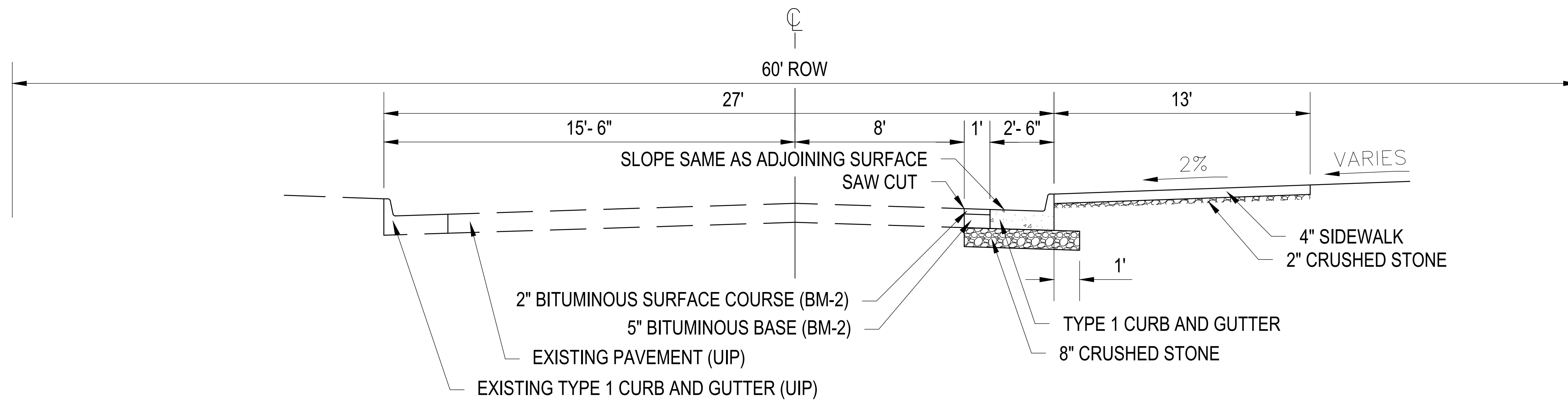
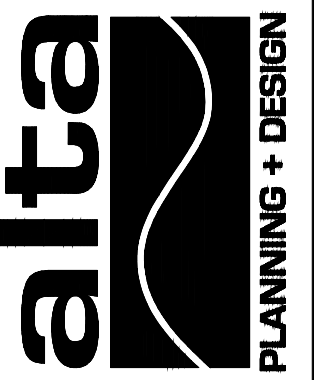


EXISTING REDBARN ST SOUTH OF CENTRAL



PROPOSED REDBARN ST SOUTH OF CENTRAL

SEAL:



CITY OF WICHITA, KANSAS  
 WOODCHUCK  
 BICYCLE BOULEVARD

DATE: 11/11/2014 DESIGNED BY: PW DRAWN BY: JH CHECKED BY: PW

REVISED

PROJECT NUMBER  
 87 TE-0617-01

FINAL  
 PLANS

SHEET NUMBER:  
 TS101