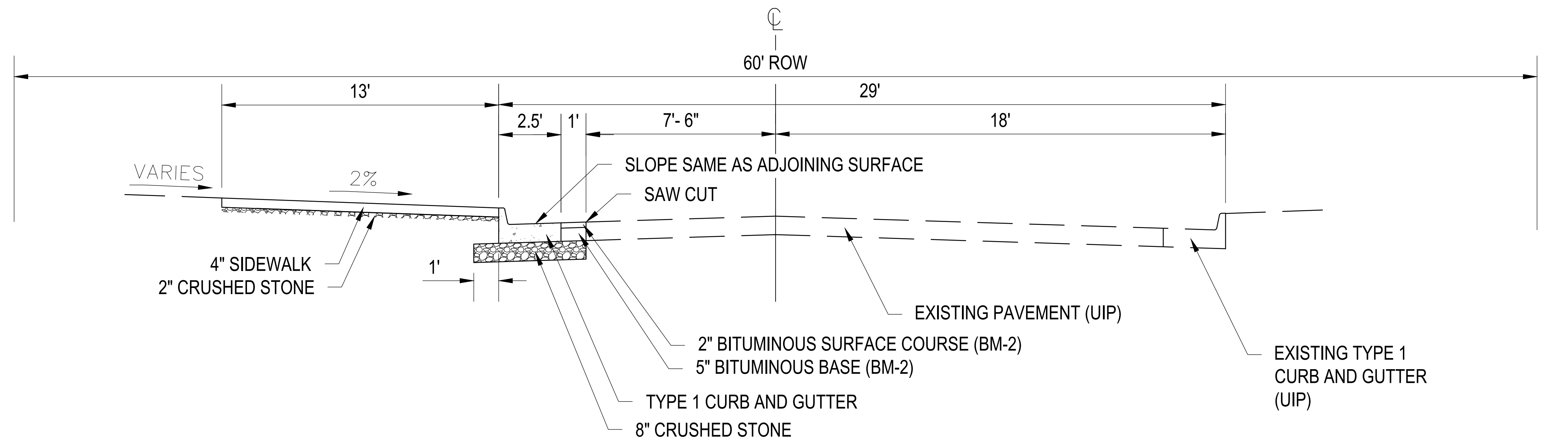
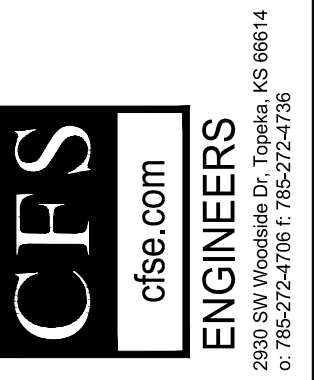
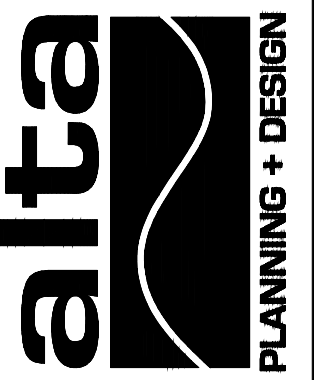


EXISTING NORTH REDBARN ST



PROPOSED NORTH REDBARN ST

SEAL:



CITY OF WICHITA, KANSAS
WOODCHUCK
BICYCLE BOULEVARD

DATE: 11/11/2014 DESIGNED BY: PW DRAWN BY: JH CHECKED BY: PW

REVISED

PROJECT NUMBER
87 TE-0617-01

FINAL
PLANS

SHEET NUMBER:
TS102