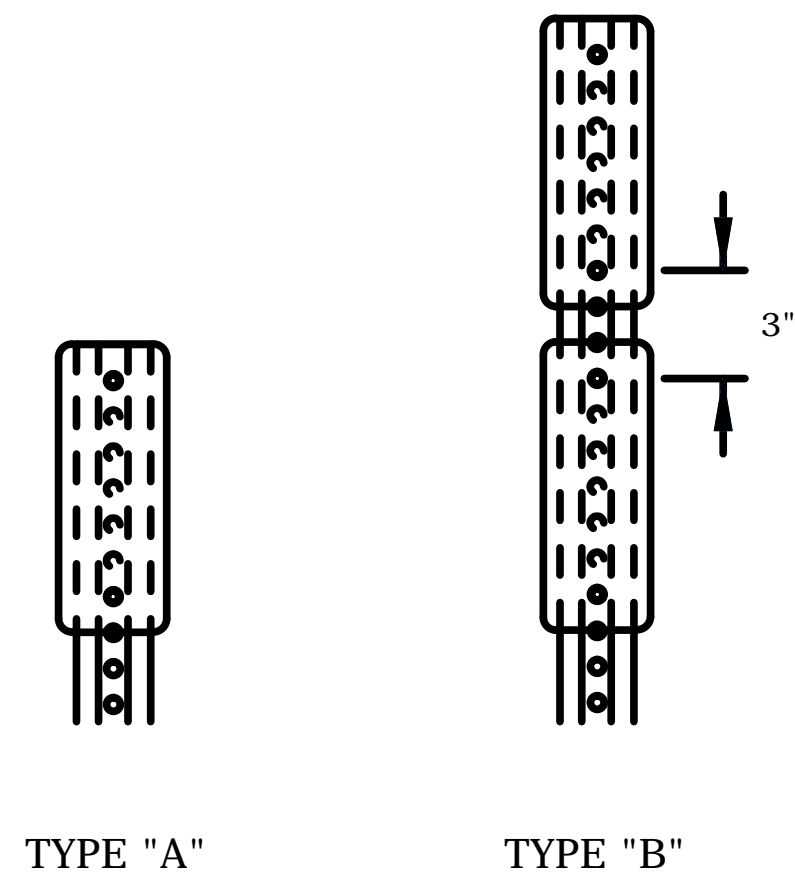


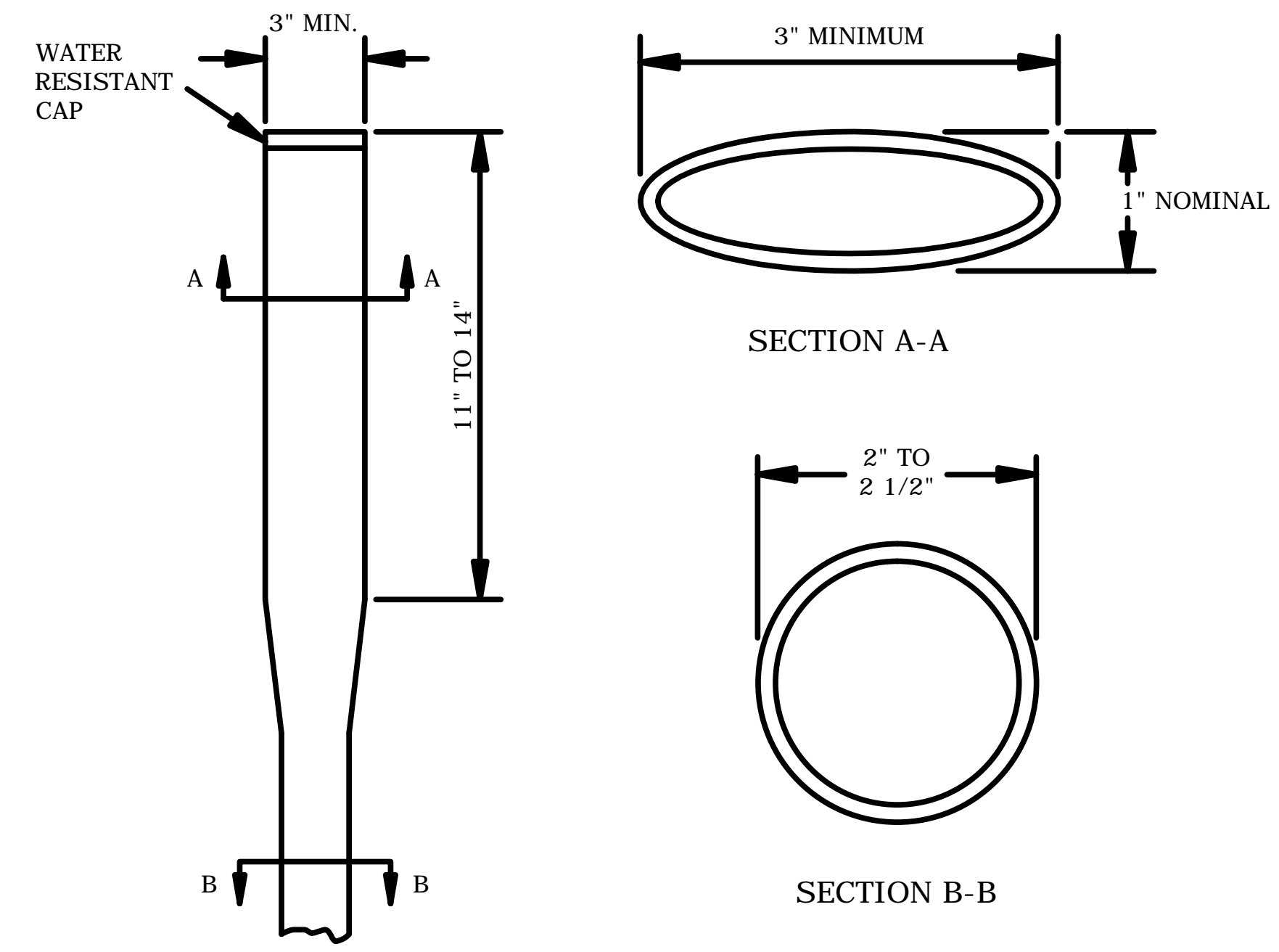
STATE	PROJECT NO.	YEAR	SHEET NO.	TOTAL SHEETS
KANSAS	87 TE-0817-01	2014	SD601	



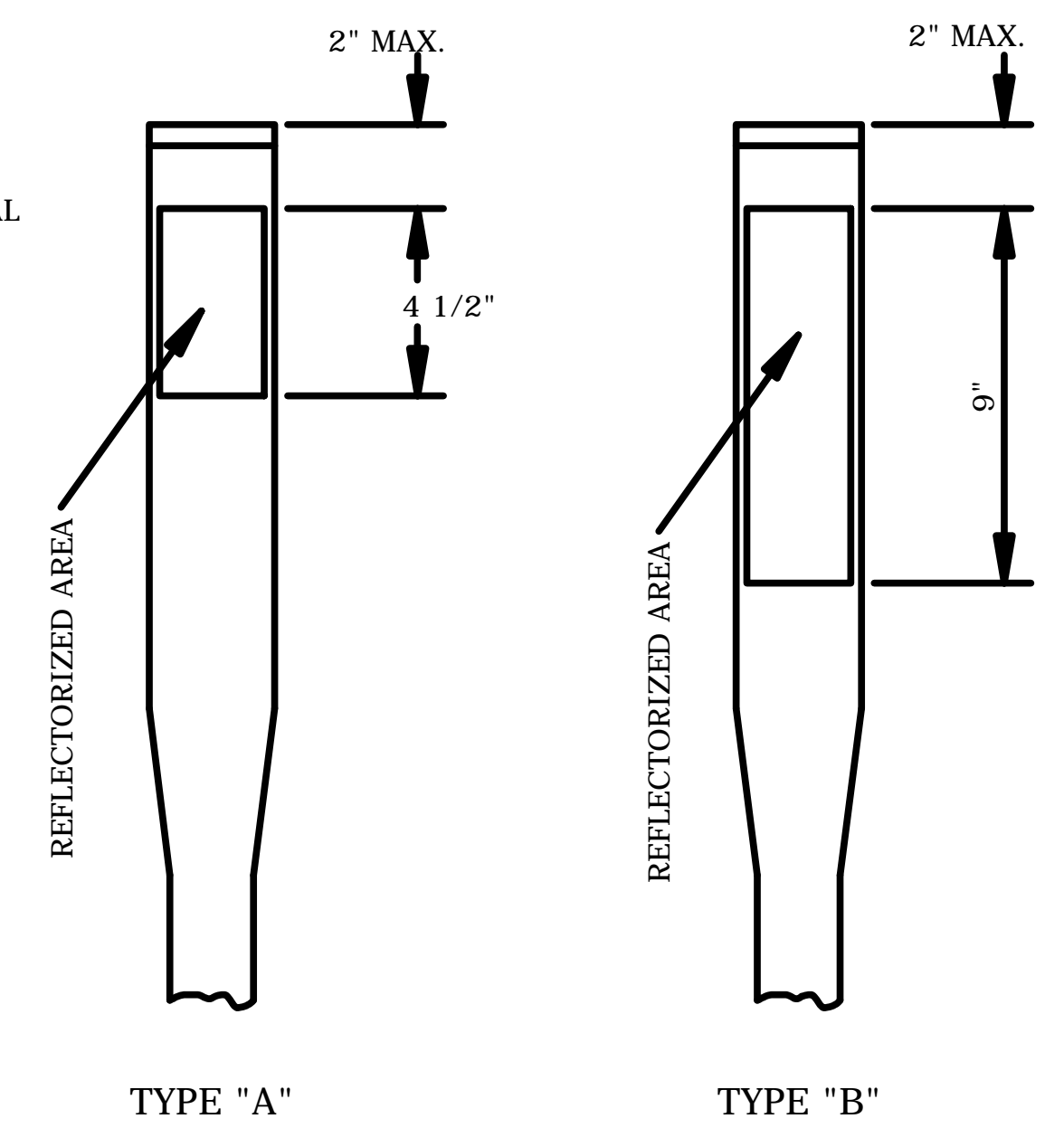
TYPICAL DELINEATOR ASSEMBLY POSITIONS FOR STEEL POST MOUNTING

FLAT SHEET DELINEATORS:
SEE FLAT SHEET SIGN BLANK DETAIL SHEETS FOR THE REQUIRED ALUMINUM ALLOYS AND THICKNESS.

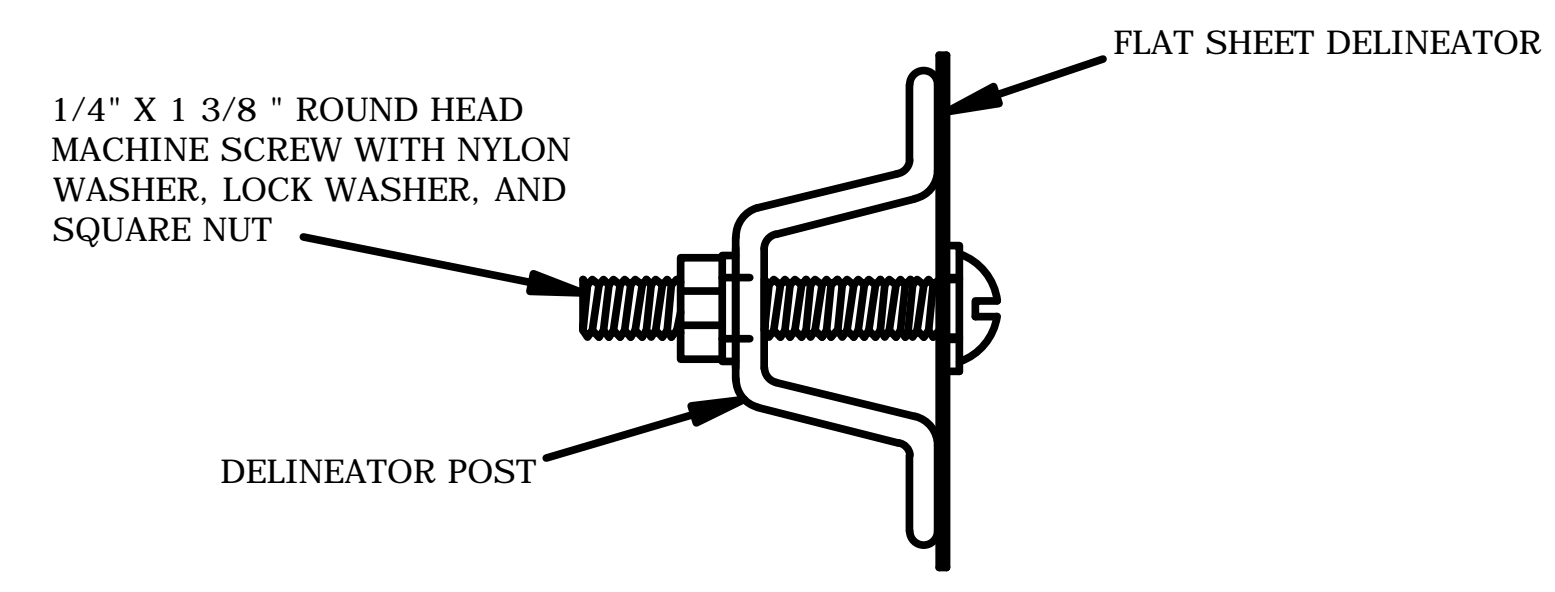
THE 3 IN X 8 IN DELINEATOR SIGN FACE SHALL BE COVERED WITH TYPE IV HIGH INTENSTIY WHITE OR YELLOW RETROREFLECTIVE SHEETING.



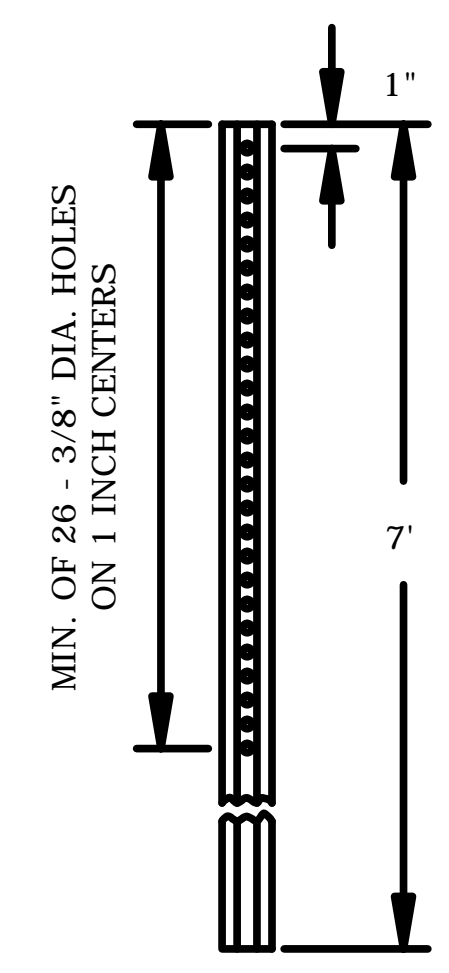
FLEXIBLE DELINEATOR POST DETAILS



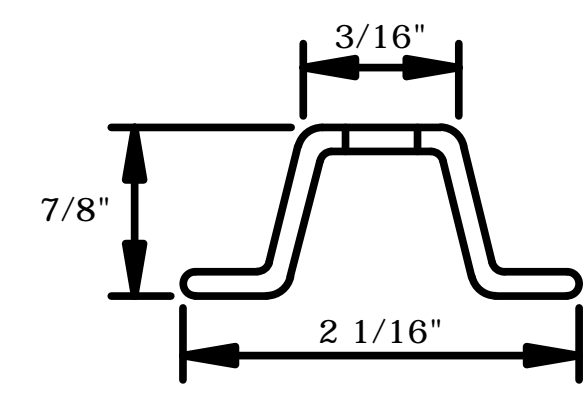
TYPICAL REFLECTORIZED AREA POSITIONING FOR FLEXIBLE POST MOUNTING



**FLAT SHEET DELINEATOR MOUNTING
DETAILS FOR ATTACHING DELINEATORS TO STEEL DELINEATOR POSTS**

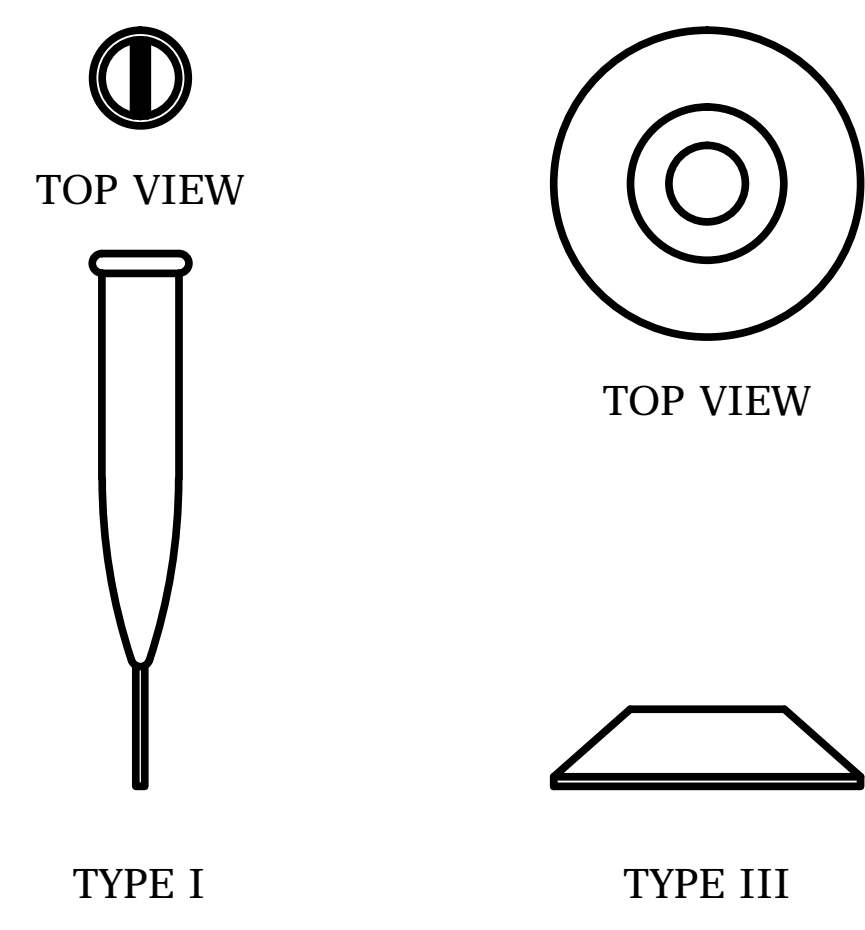


PUNCHING DETAILS



**POST DIMENSIONS
(ALL DIMENSIONS SHOWN ARE NOMINAL)**

STEEL DELINEATOR POST DETAILS



ANCHORING DEVICES FOR FLEXIBLE DELINEATORS

FLEXIBLE DELINEATOR POSTS AND ANCHORING DEVICES:
THE TOTAL LENGTH OF THE FLEXIBLE POST SHALL BE DETERMINED BY THE CONTRACTOR, AS PER LOCATION AND ANCHORING DEVICE.

REFLECTORIZATION:
THE REFLECTORIZED AREA SHALL BE TYPE IV HIGH INTENSITY WHITE OR YELLOW RETROREFLECTIVE SHEETING. THE REFLECTORIZED AREA SHALL BE 3" MINIMUM IN WIDTH.

DELINEATION NOTE:
SEE THE "DESIGN DETAILS FOR POSITIONING OF DELINEATORS" AND/OR PLAN SHEETS FOR THE DELINEATION SPACING, TYPE, AND COLOR.

NO.	DATE	REVISIONS	BY	APP'D
1	7/23/10	Changed Sheeting Type	D.D.S.	D.S.

KANSAS DEPARTMENT OF TRANSPORTATION
DELINEATOR DESIGN DETAILS
STEEL POST MOUNT &
FLEXIBLE POST MOUNT

TE412 **7/1/03**

DESIGNED BY: D.D.S. (D.D.S.) DATE: 7/23/10 (D.S.) DRAWN BY: S.M.A. (S.M.A.)
CHECKED BY: S.A.S. (S.A.S.) DATE: 8/10/10 (S.A.S.) REVISIONS BY: S.M.A. (S.M.A.)
DESIGNED BY: S.A.S. (S.A.S.) DATE: 8/10/10 (S.A.S.) REVISIONS BY: S.M.A. (S.M.A.)