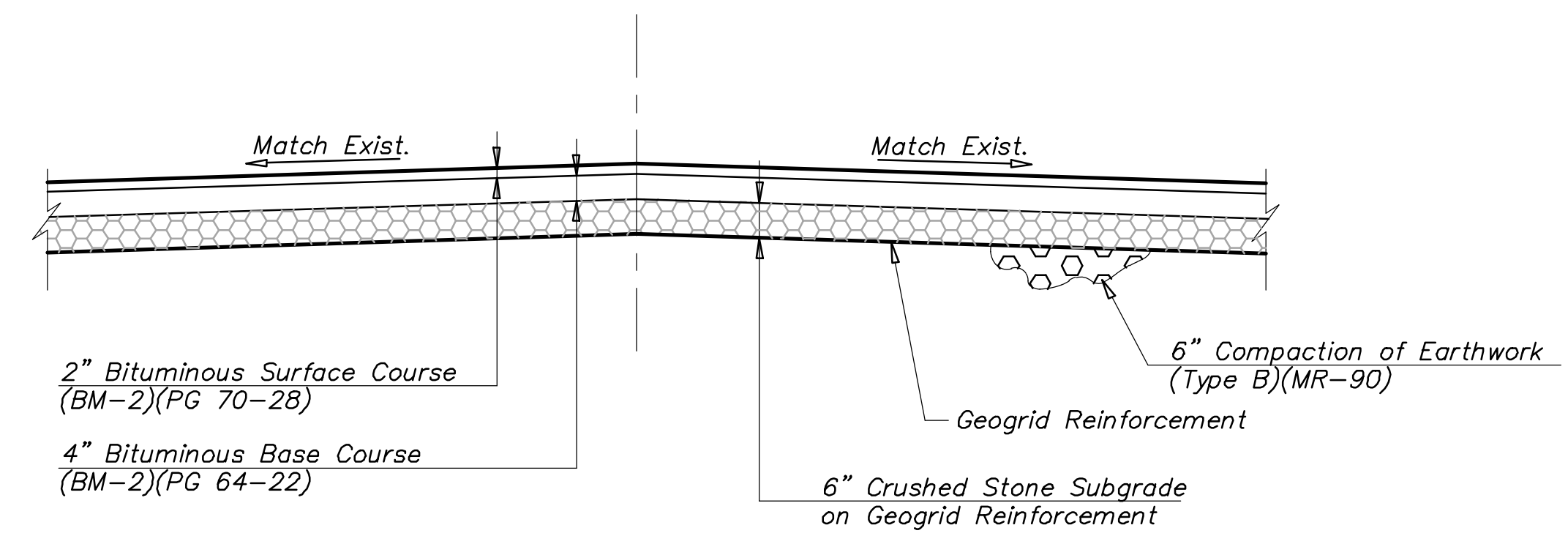
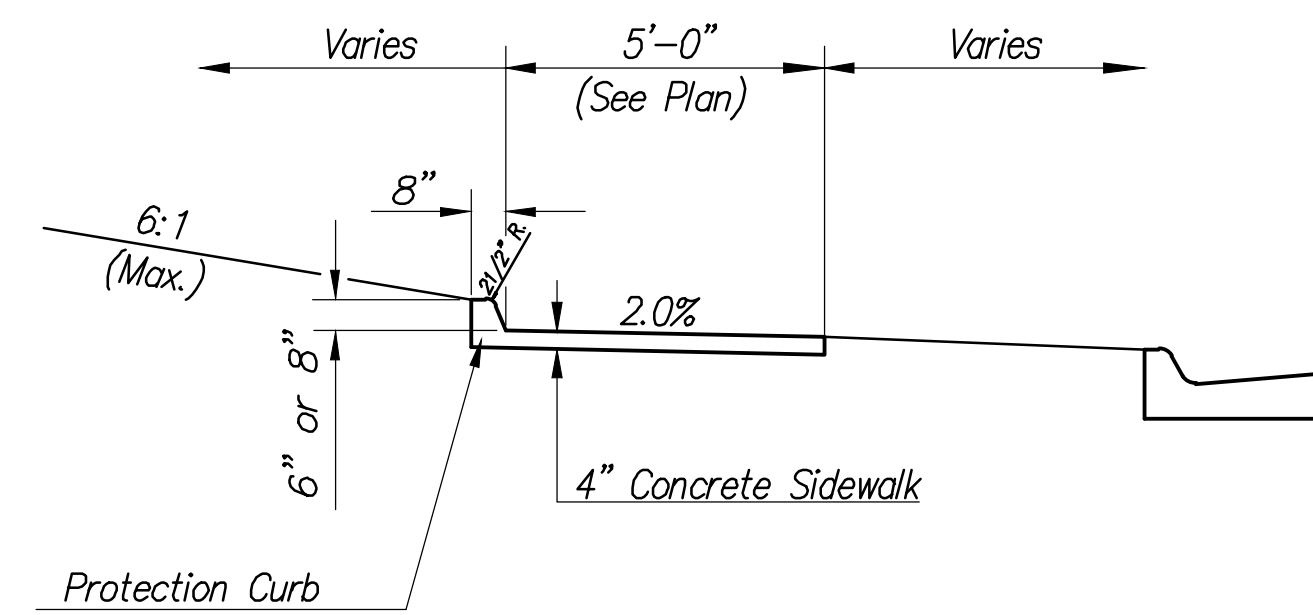


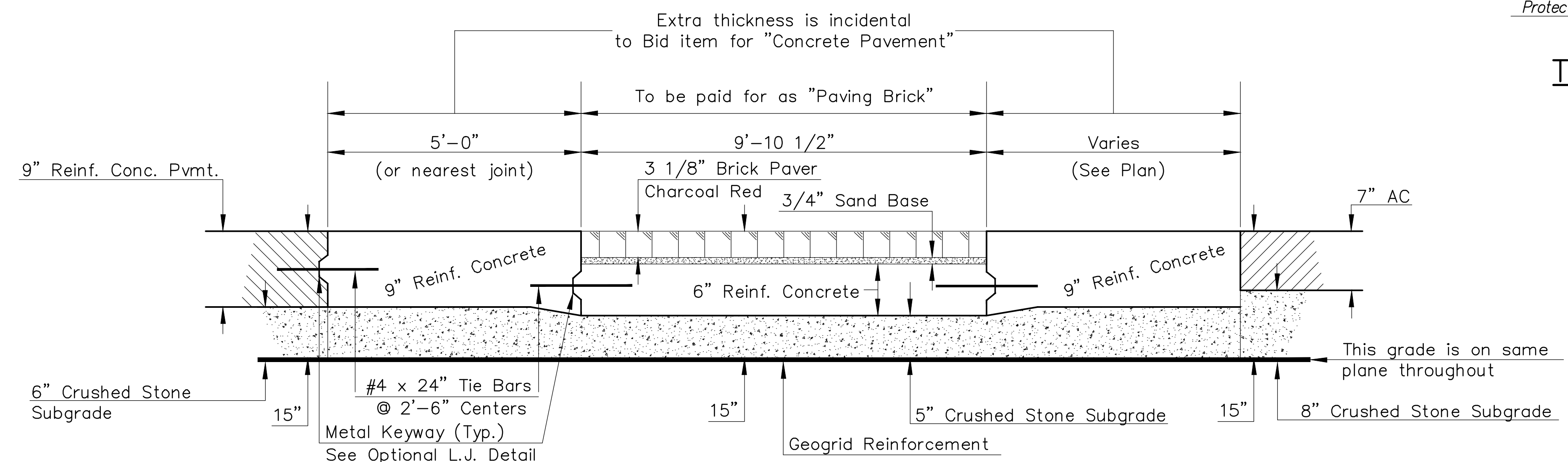
STATE	PROJECT NO.	YEAR	SHEET NO.	TOTAL SHEETS
KANSAS	87N-0582-01	2015	4	59



SPRING LANE w/ Entrances – Bituminous

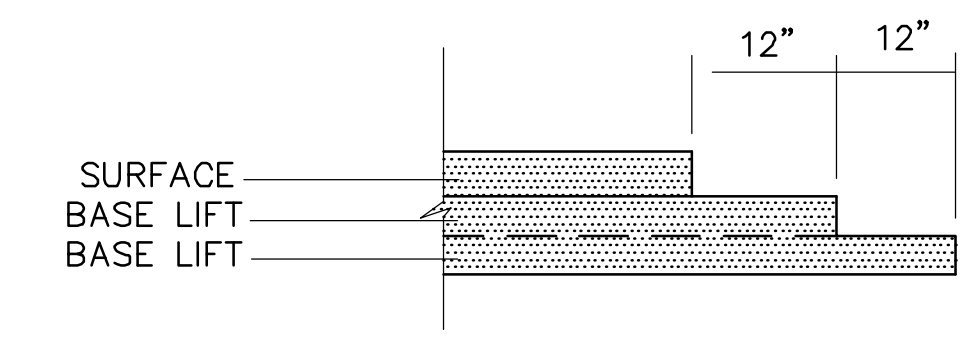
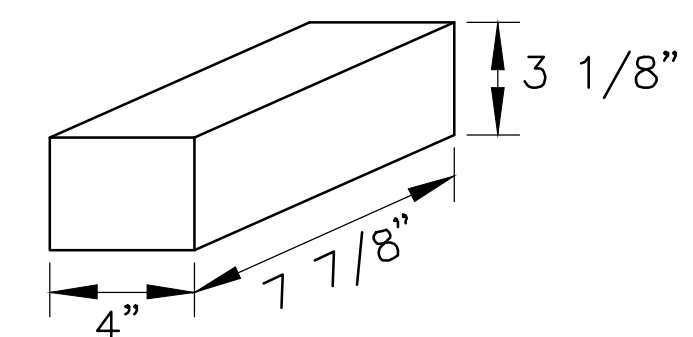


TYPICAL PROTECTION CURB



CROSSWALK BRICK PAVER SURFACE DETAIL

NOTE: Construction of the interlocking precast concrete paving stones shall conform to KDOT special provisions 90P-3956



TRANSVERSE CONSTRUCTION JOINTS

TRANSVERSE CONSTRUCTION JOINTS SHALL BE CONSTRUCTED IN FLEXIBLE BASE PAVEMENTS AT LOCATIONS WHERE PAVEMENT JOINTS EXISTING FLEXIBLE BASE PAVEMENT AS SHOWN BY THE DETAIL. ALL COSTS ASSOCIATED WITH THE CONSTRUCTION OF THE TRANSVERSE JOINT SHALL BE INCLUDED IN THE BID PRICE FOR SQUARE YARDS 5" ASPHALTIC CONCRETE PAVEMENT (3" BITUMINOUS BASE)

13TH & EDGEWOOD TYPICAL SECTIONS CITY OF WICHITA, KANSAS GARY JANZEN, P.E. - CITY ENGINEER C.O.M. Project #472-88162; OCA #707069	Approved By:
	Date
	No.
	Revision
POE & ASSOCIATES, INC. CONSULTING ENGINEERS 544 West Douglas Avenue Wichita, KS 67203 Phone 316/685-4114 FAX 316/685-4444	
	FINAL Engineer: J. DICKMAN Designer: J. UNRUH Dwg. P.: 102091 TYPICALS-102091 Job No.: 87N-0582-01 Date: 8/31/2015
4 of 59	