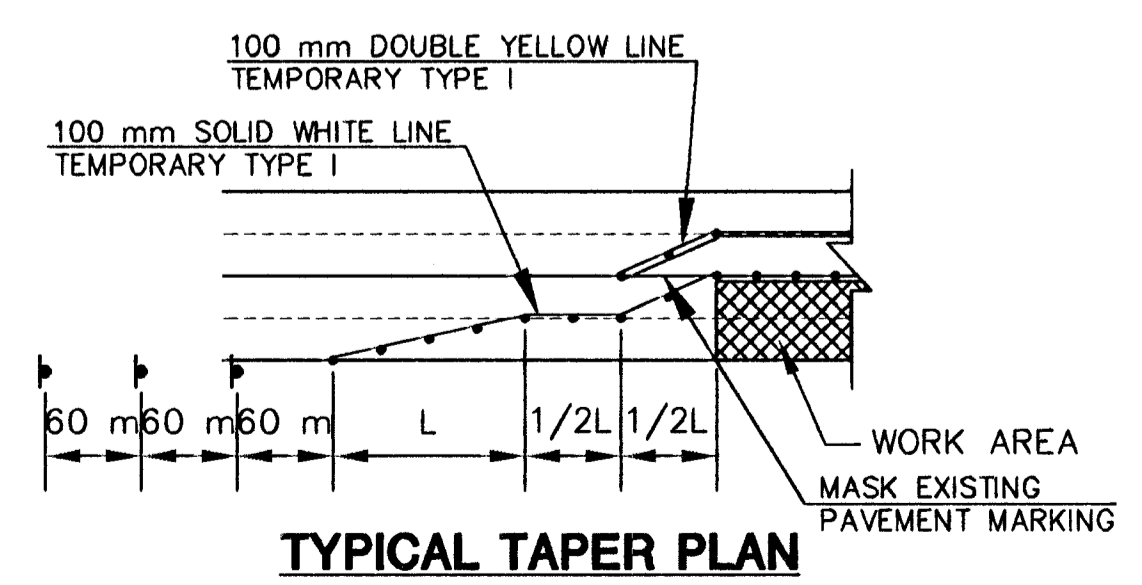
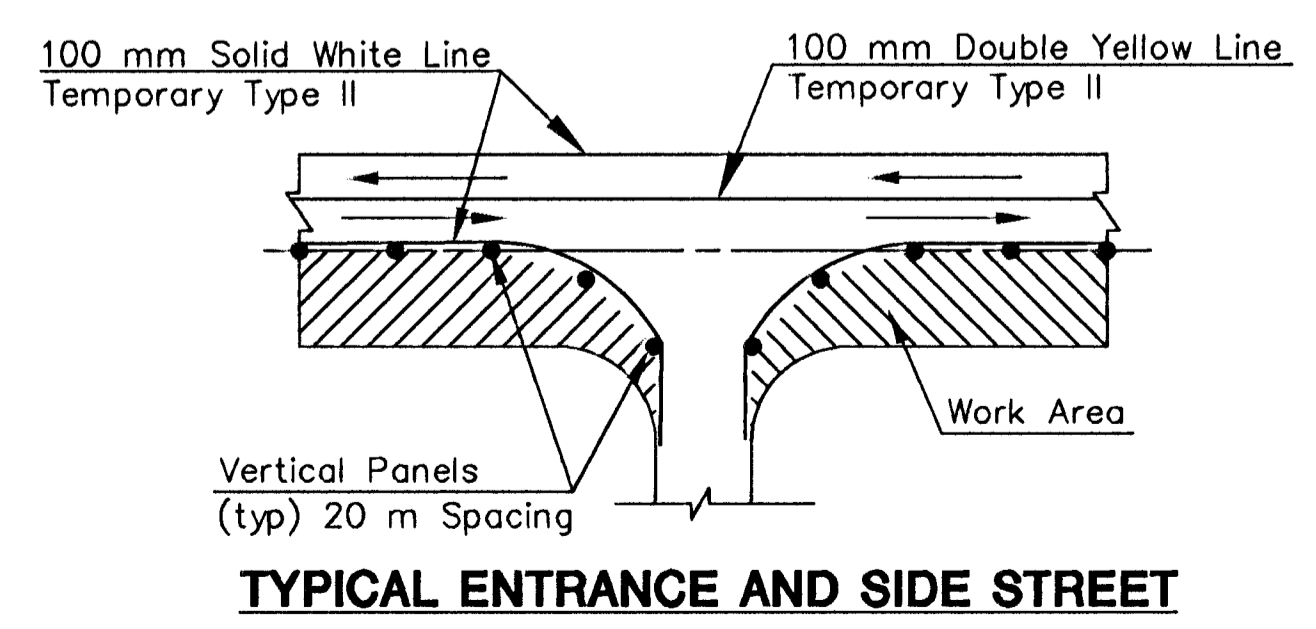
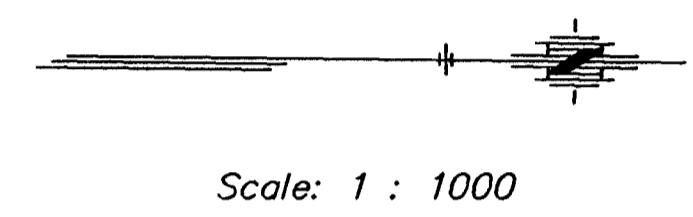
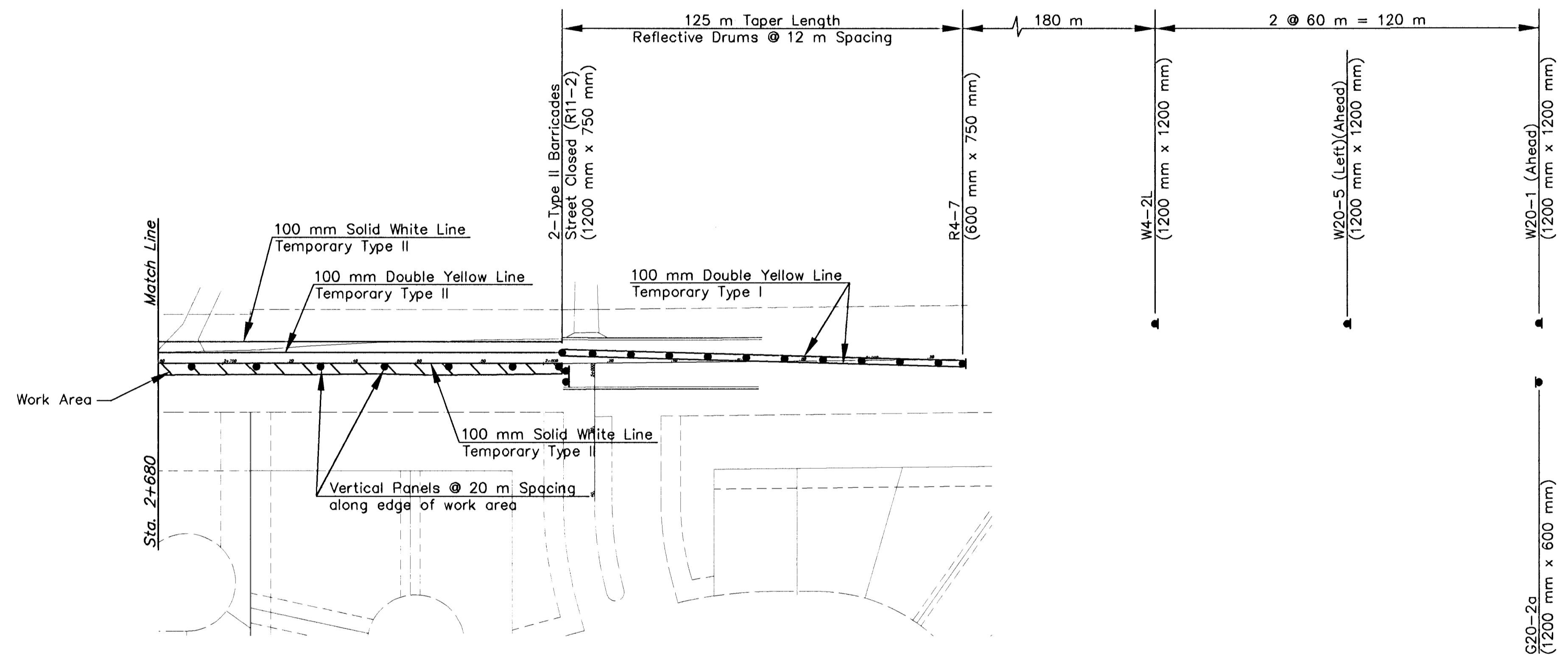


FHWA REG NO.	STATE	PROJECT NO.	YEAR	SHEET NO	TOTAL SHEETS
7	KANSAS	87N-0116-01	1999	75	110

**GENERAL NOTES**

Temporary Type I 100 mm Yellow Pavement Marking (Solid Double) to continue beyond ends of work area to channel traffic to existing lanes. (See Plan)

REFERENCES NOTED	DATE
REFERENCES CHECKED	



NO.	DATE	REVISIONS	BY	APP'D
2				
1				

KANSAS DEPARTMENT OF TRANSPORTATION  
**MERIDIAN AVE.**  
**TRAFFIC CONTROL**  
**PHASE II AND PHASE III**  
 PROJ. NO. 87N-0116-01 SEDGWICK COUNTY  
**MID-KANSAS ENGINEERING CONSULTANTS, INC.**  
 WICHITA, KANSAS

DESIGNED BY: WNJ CHECKED BY: DCH  
 DRAWN BY: WNJ DATE: DEC. 1999 SHEET 75 OF 110