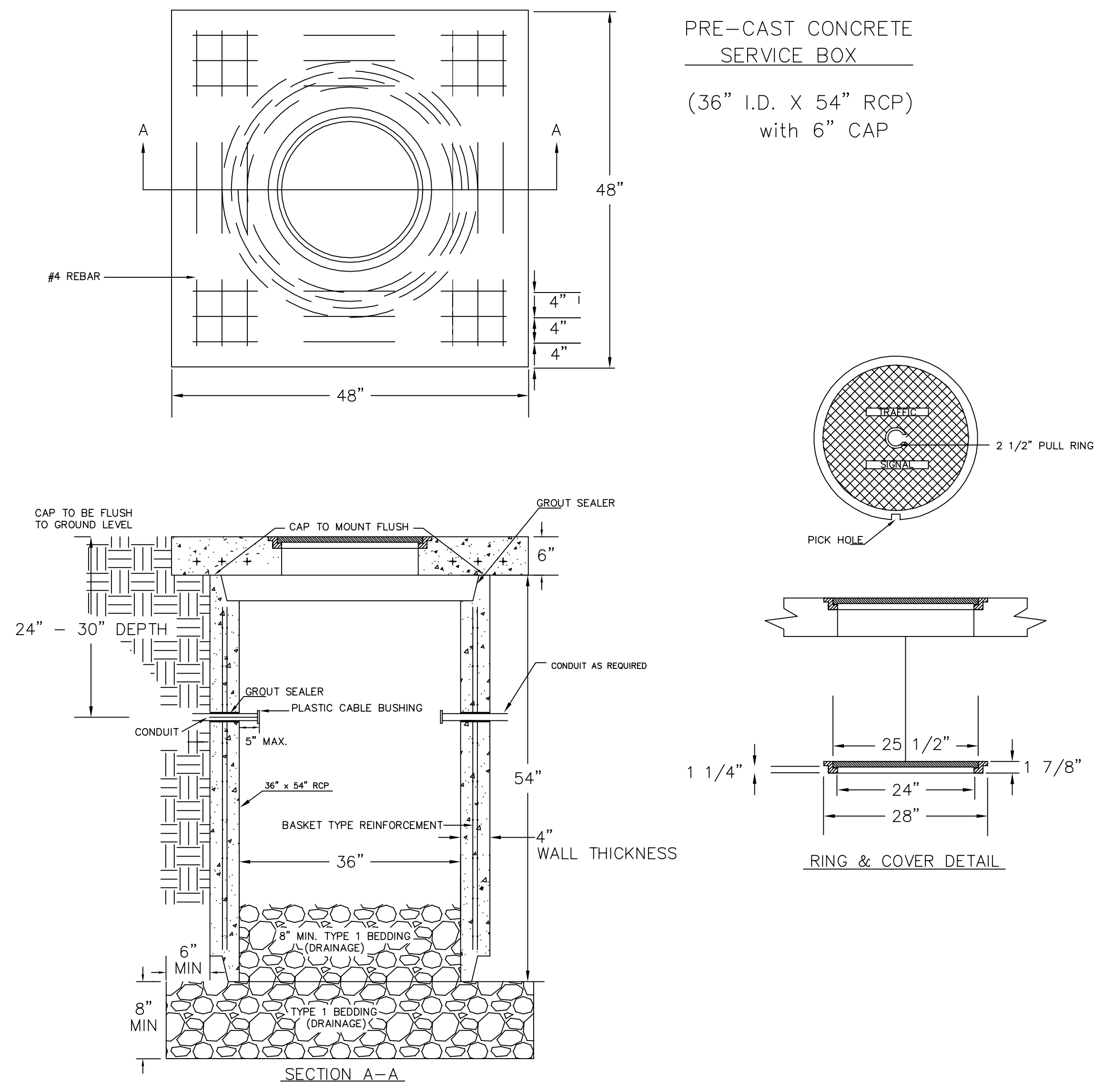
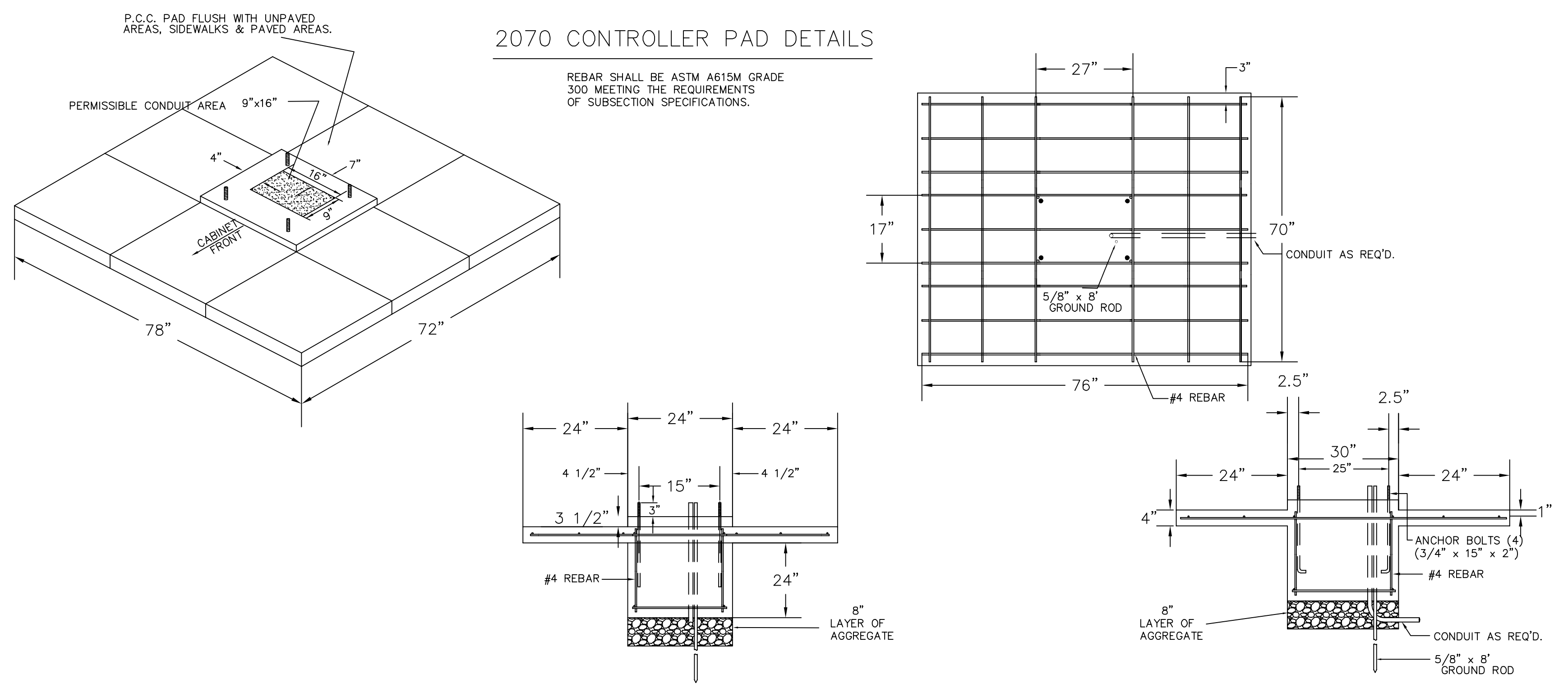


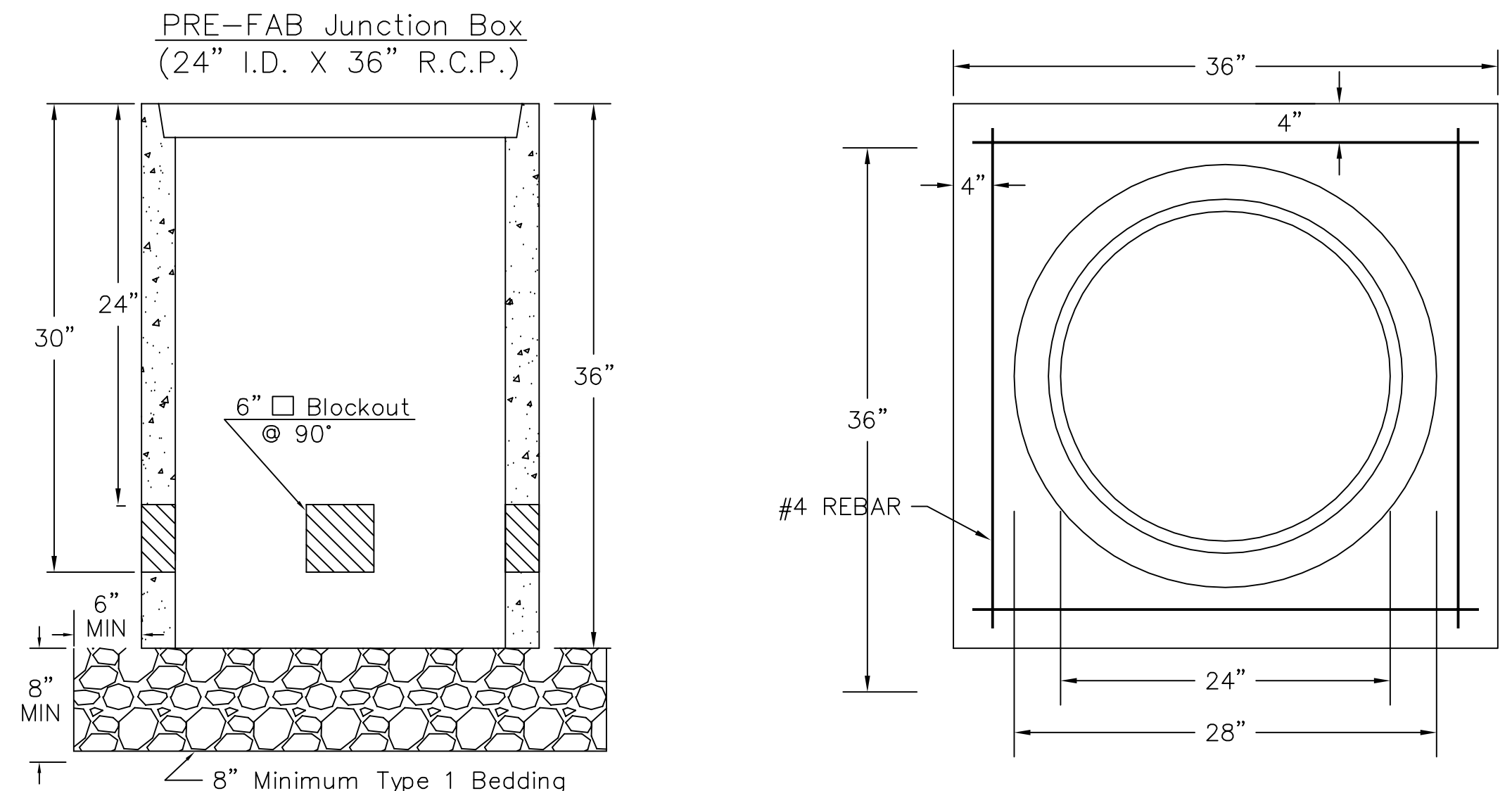
# SERVICE BOX CONSTRUCTION/INSTALLATION DETAILS



# 2070 CONTROLLER PAD DETAILS

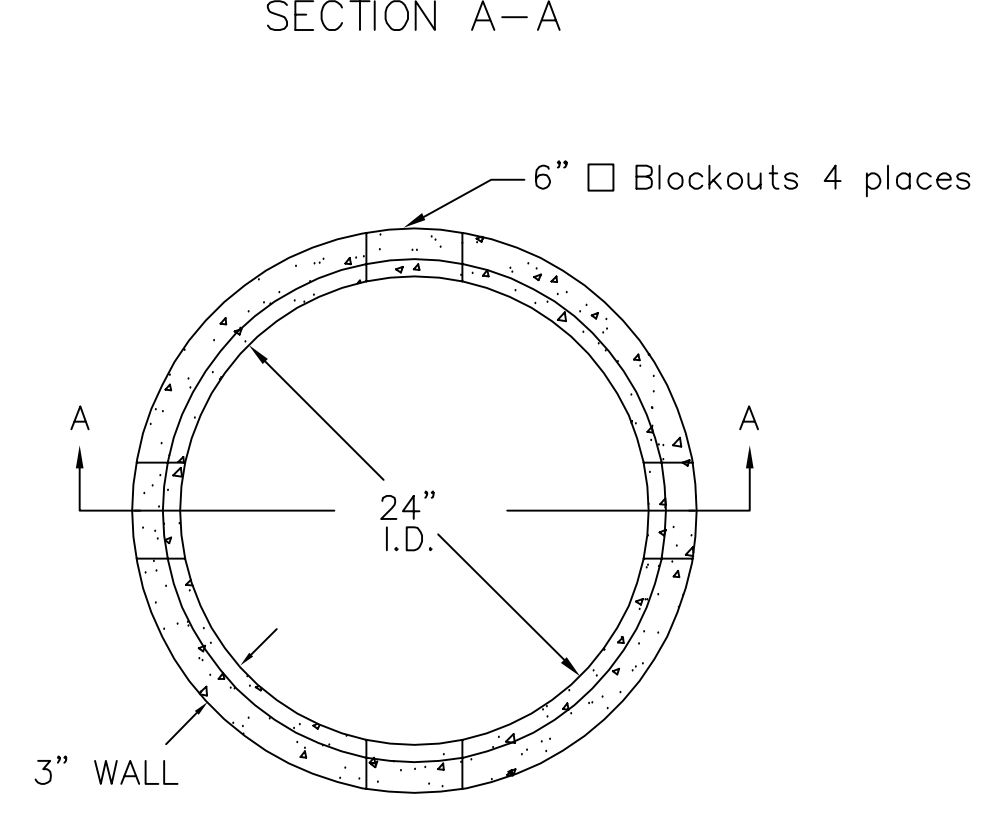
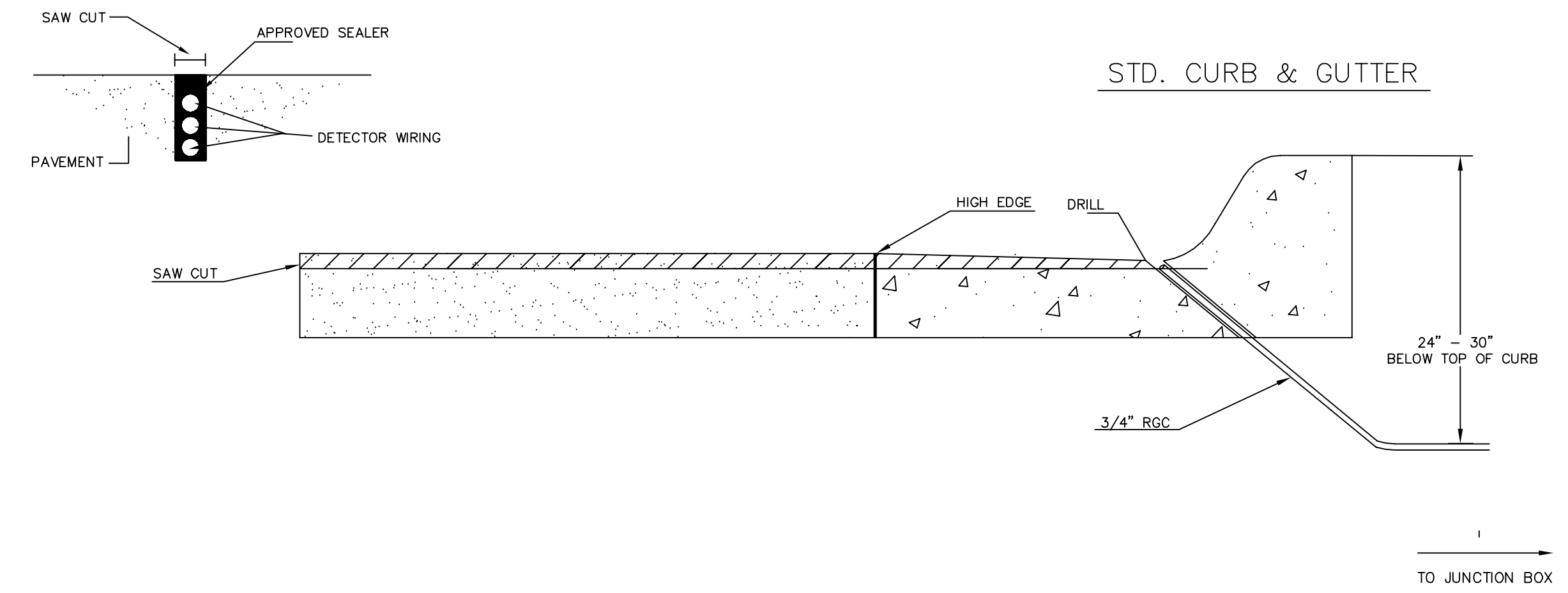


# JUNCTION BOX DETAILS



- NOTES:**
- SERVICE & JUNCTION BOX:
- CONDUIT CONNECTION TO BE FLUSH TO WITHIN 5" OF INSIDE FACE OF SIDE WALL, CONDUIT TO DRAIN INTO SERVICE BOX.
  - CONDUIT CONNECTIONS TO SERVICE BOX SHALL BE TERMINATED WITH PLASTIC CABLE BUSHING.
  - CONDUIT SHALL BE SEALED WITH APPROVED SEALER AT INSIDE WALL FACE.
  - ALL SERVICE & JUNCTION BOXES TO HAVE 8" OF CRUSHED ROCK.  
No 90 degree elbows unless approved by Traffic Maintenance.
- TRENCHING:
- DEPTH TO BE 30" MINIMUM WITH ROCK & STUBBLE FREE BACKFILL TO SERVE AS BEDDING MATERIAL. MAINTAIN MINIMUM CONDUIT DEPTH IN TRENCH.
  - BACKFILL TO BE COMPACTED IN 6" LOOSE LIFTS BY HAND OR MECHANICAL TAMPING TO A 95% STANDARD DENSITY.
- CONDUIT:
- SLOPE CONDUIT TO DRAIN AS DIRECTED BY THE ENGINEER.
  - 3" RIGID STEEL CONDUIT BTWN. SERVICE BOXES.  
2" " " " BTWN. SERVICE BOX AND POLE.  
1 1/4" " " " BTWN. SERVICE & JUNCTION BOXES.  
3/4" " " " BTWN. JUNCTION BOXES.  
3/4" " " " BTWN. JUNCTION BOX & DETECTOR LOOP SAW CUT  
No 90 degree elbows unless approved by Traffic Maintenance.

# CONDUIT/DETECTOR WIRE INSTALLATION DETAILS



SEE SERVICE BOX INSTALLATION FOR RING & COVER DETAILS.

REVISED AUGUST 2014

**CITY OF WICHITA**  
PUBLIC WORKS & UTILITIES ENGINEERING DIVISION

SERVICE/JUNCTION BOX, CONTROLLER PAD CONSTRUCTION/INSTALLATION		
TRAFFIC ENGINEER		
<b>BRIAN COON, P.E.</b>		
PROJECT NUMBER	OCA NUMBER	DATE
472-85164	707060	
CITY ENGINEER'S OFFICE		SHEET
CITY HALL - SEVENTH FLOOR 455 NORTH MAIN STREET WICHITA, KANSAS 67202-1620 (316) 268-4501		101 of 153