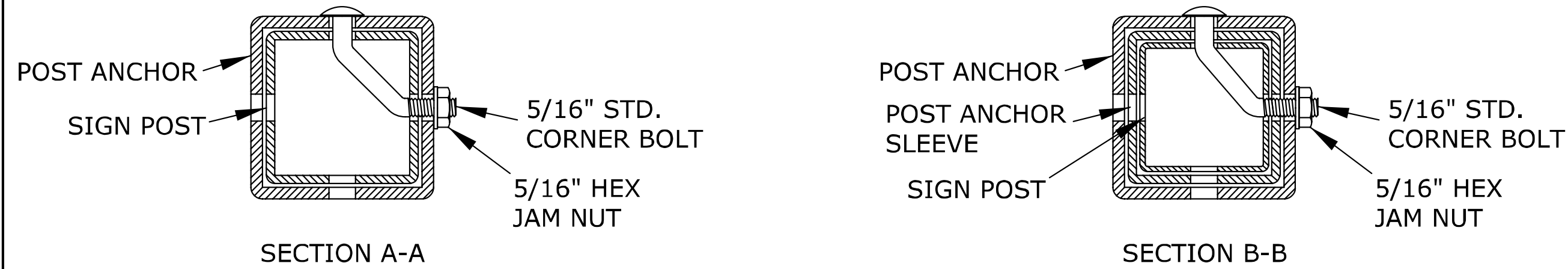
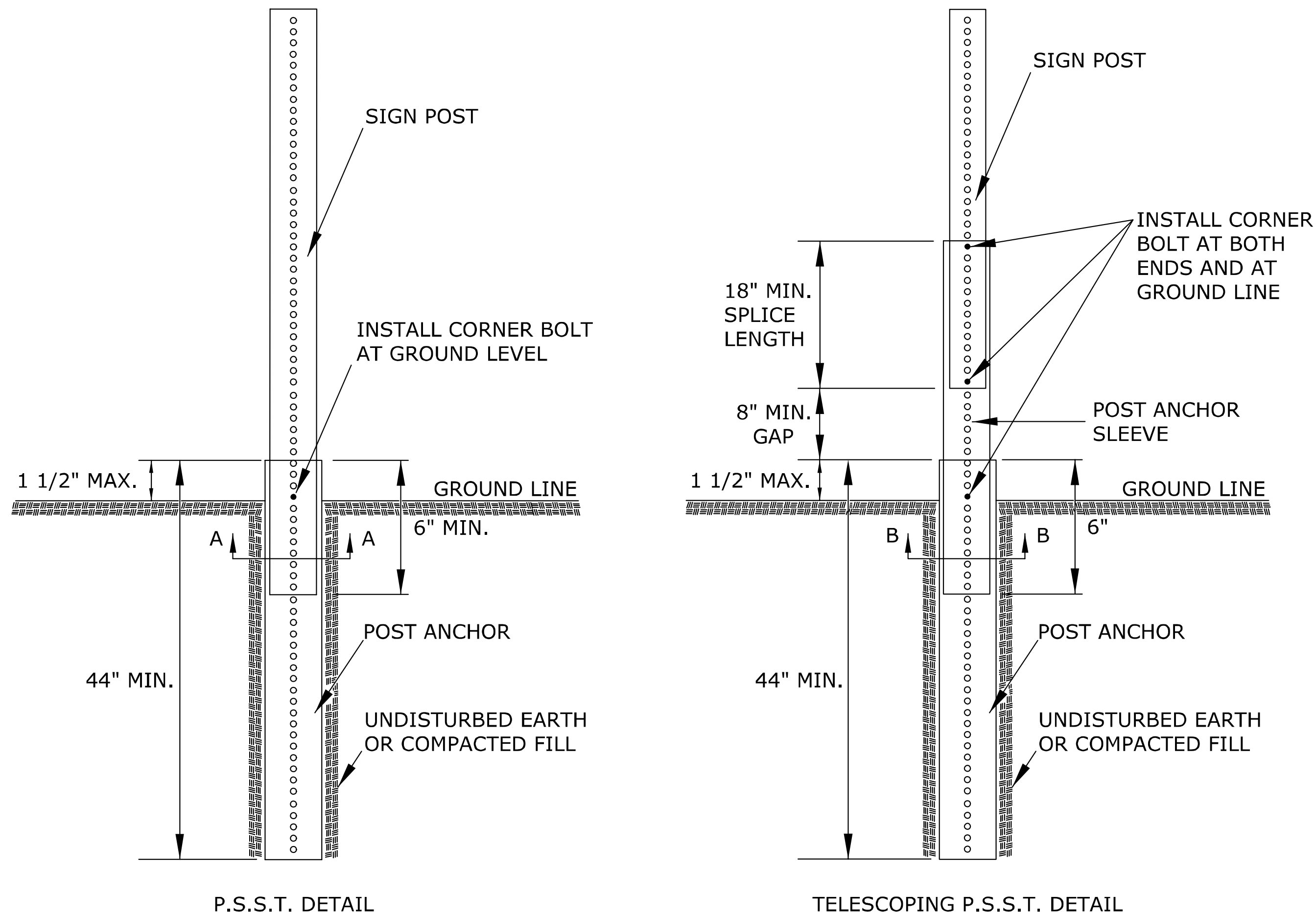
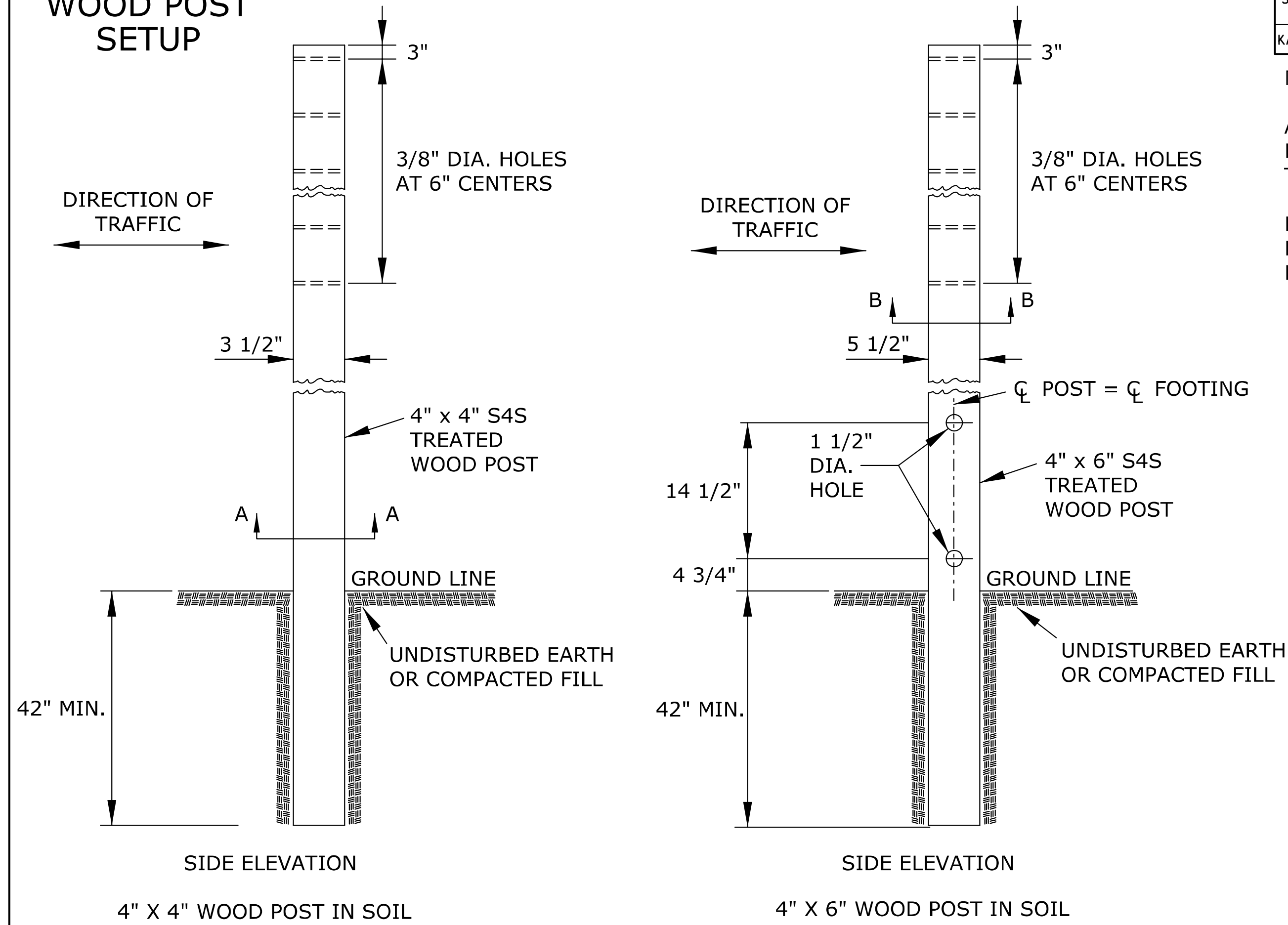


PERFORATED SQUARE STEEL TUBE (P.S.S.T.) POST SETUP



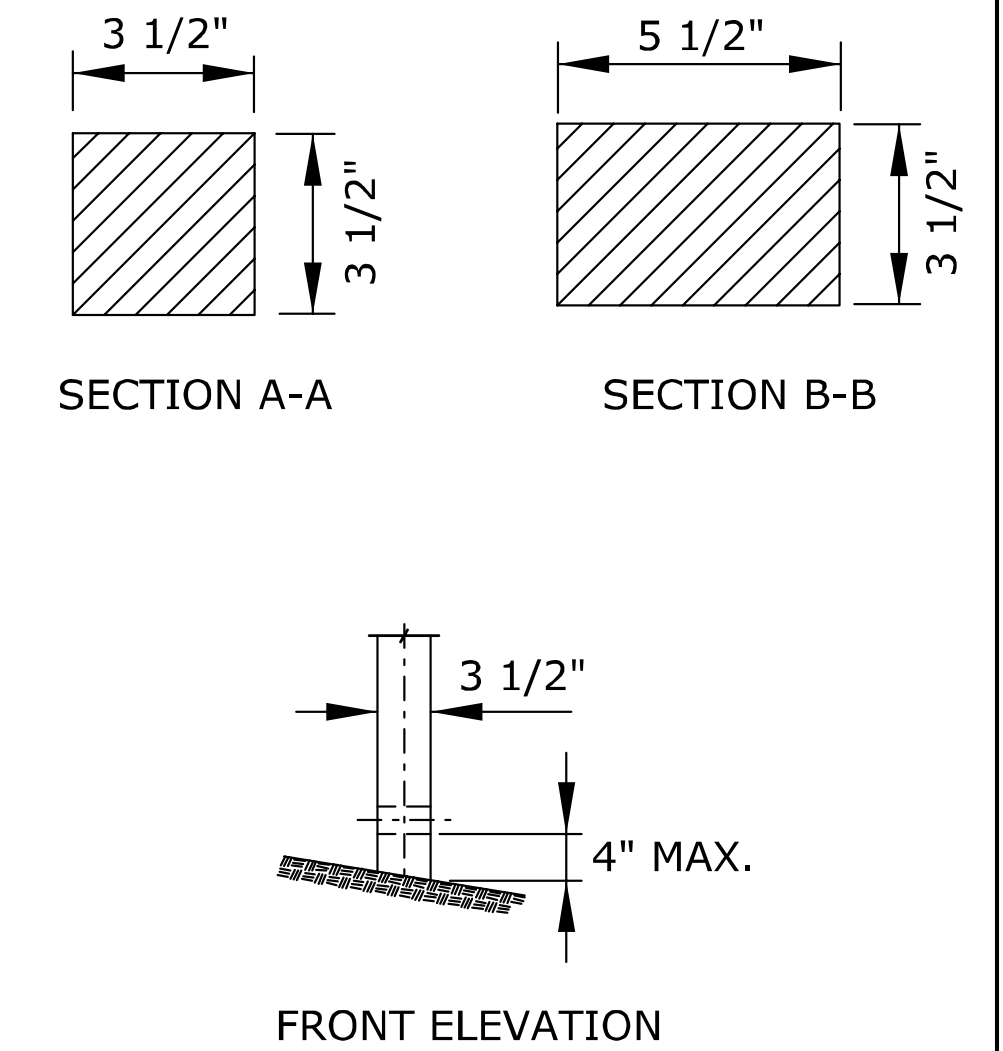
DETAILS FOR 2", 2 1/4", OR 2 1/2" SIGN POST
 PLACE BOLTS IN THE SAME CORNER ALONG EACH SIGN POST.

WOOD POST SETUP

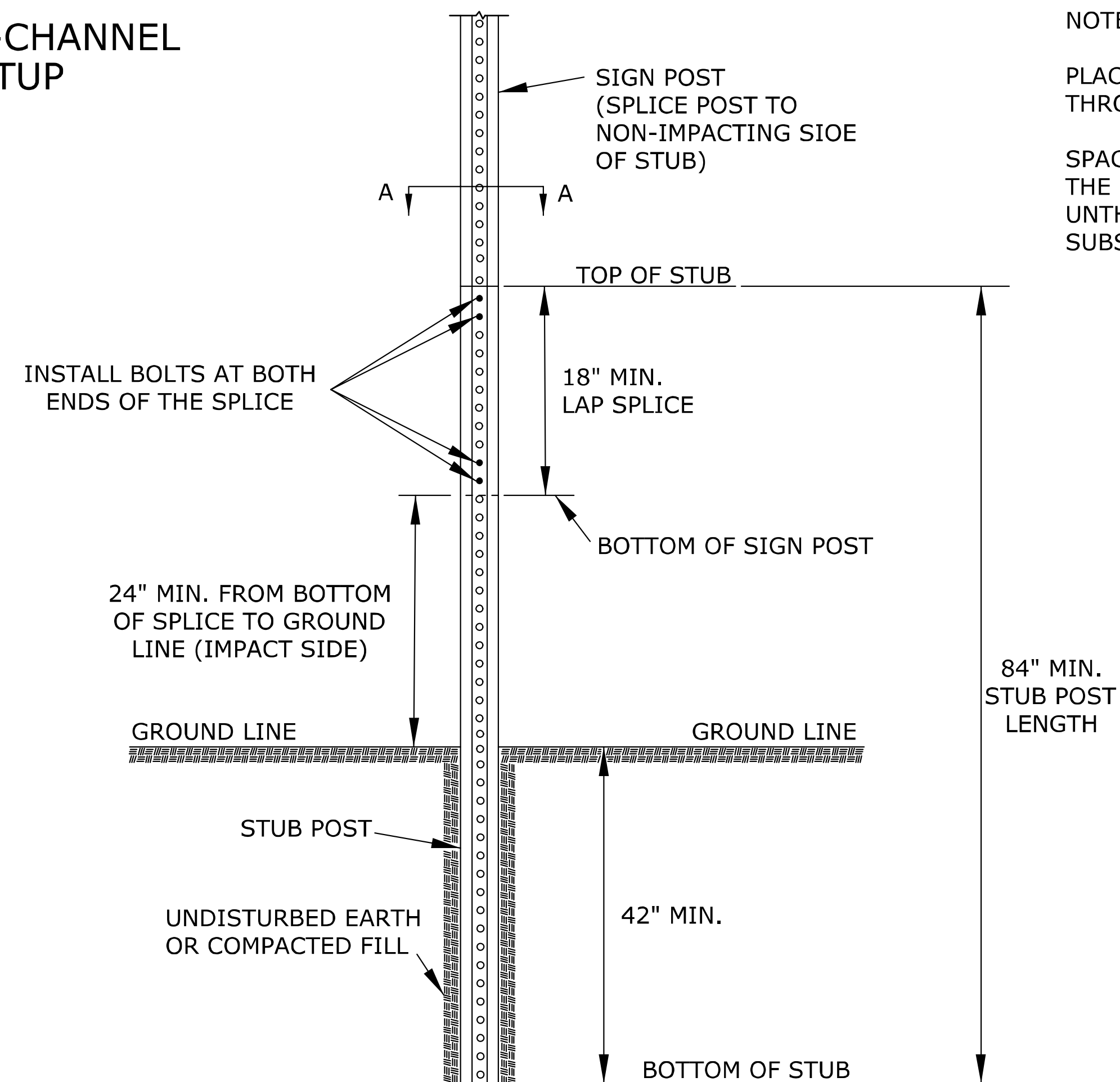


STATE	PROJECT NO.	YEAR	SHEET NO.	TOTAL SHEETS
KANSAS	87 N-0593-01	2015	118	153

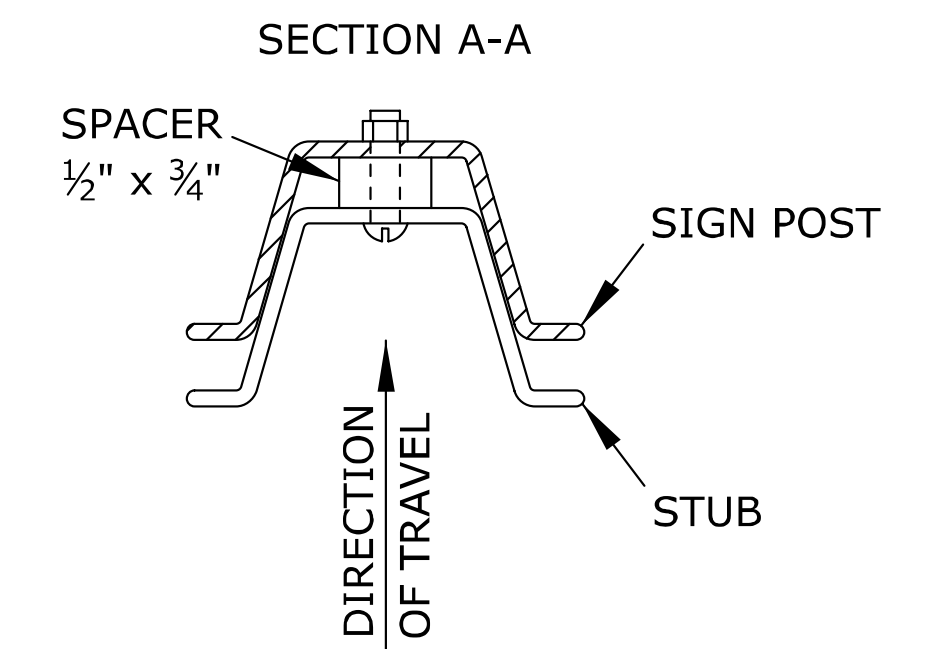
NOTES:
 ALL SIGN MOUNTING HOLES IN THE WOOD POSTS SHALL BE DRILLED PRIOR TO TREATING.
 BREAKAWAY HOLES AND FIELD CUTS SHALL BE TREATED IN ACCORDANCE WITH THE PRESERVATIVE TREATMENT SPECIFICATIONS.



3 LB/F U-CHANNEL SETUP



NOTES:
 PLACE TWO BOLTS AT BOTH ENDS OF THE SPLICE THROUGH THE HOLES NEAREST THE ENDS OF THE SPLICE.
 SPACERS WILL BE USED OVER THE BOLTS BETWEEN THE SPLICED PIECES OF U-CHANNEL. THREADED OR UNTHREADED SPACERS MAY BE USED. DO NOT SUBSTITUTE PIPE OR OTHER "ITEMS" FOR THE SPACERS.



NO.	DATE	REVISIONS	BY	APP'D
3	10/16/12	Added Spacer Dimension, Removed PSST Note	J.A.M.	K.P.
2	10/4/11	Removed Washer On PSST Detail	J.A.M.	K.P.
1	6/1/10	Modified Post Anchor Sleeve Dimension	J.A.M.	A.A.A.

KANSAS DEPARTMENT OF TRANSPORTATION

APPROVED TEMPORARY POST SETUPS

TE712

DESIGNED	B.A.H.	QUANTITIES	TRACED
DESIGN CK.	DETAIL CK.	QUAN. CK.	TRACE CK.

10-23-2012

Plotted : 24-OCT-2012 07:53
 Traffic

Drawn By : jmadrid
 File : te712.dgn