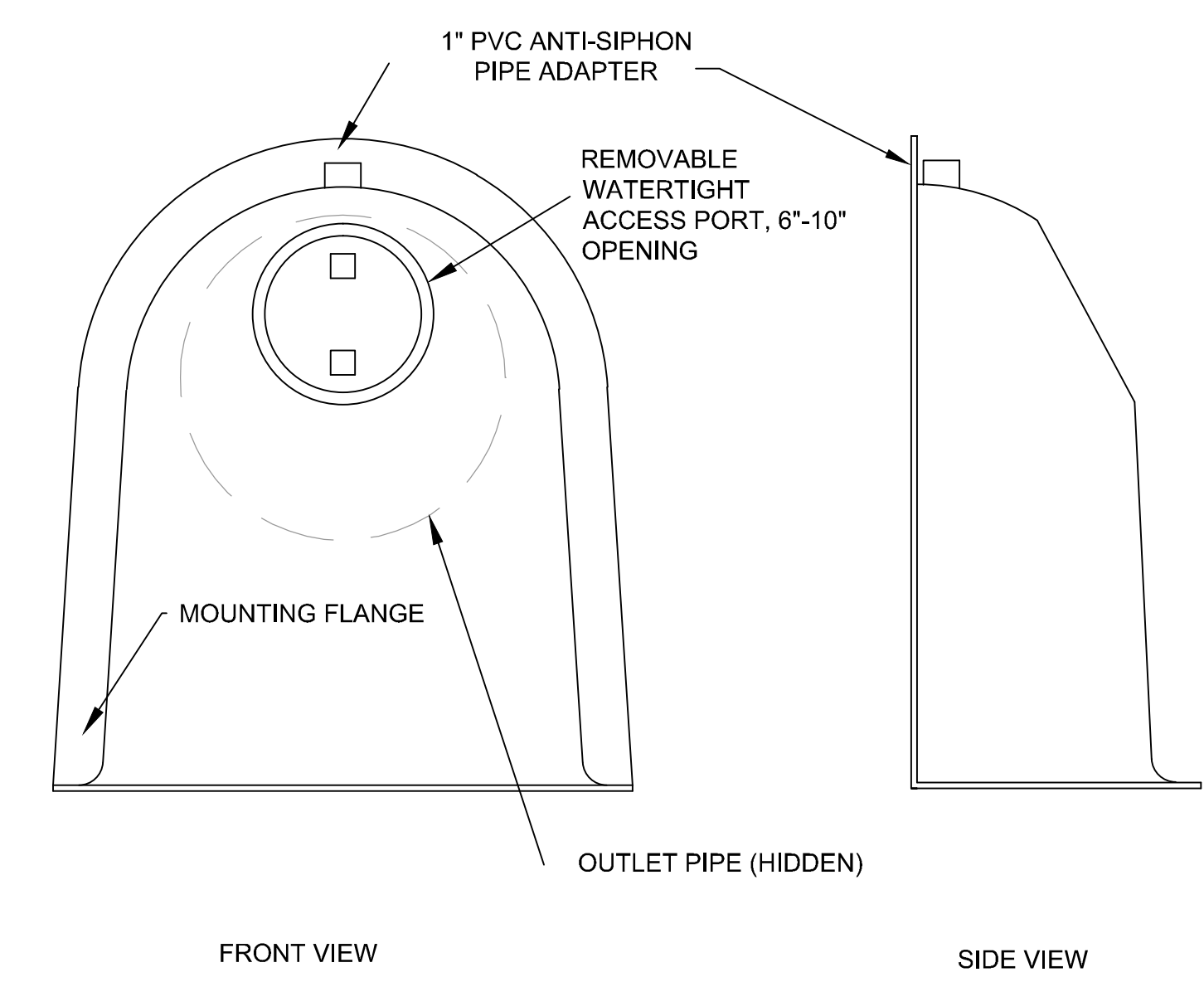


**Manufacturer's Maintenance Recommendations:**

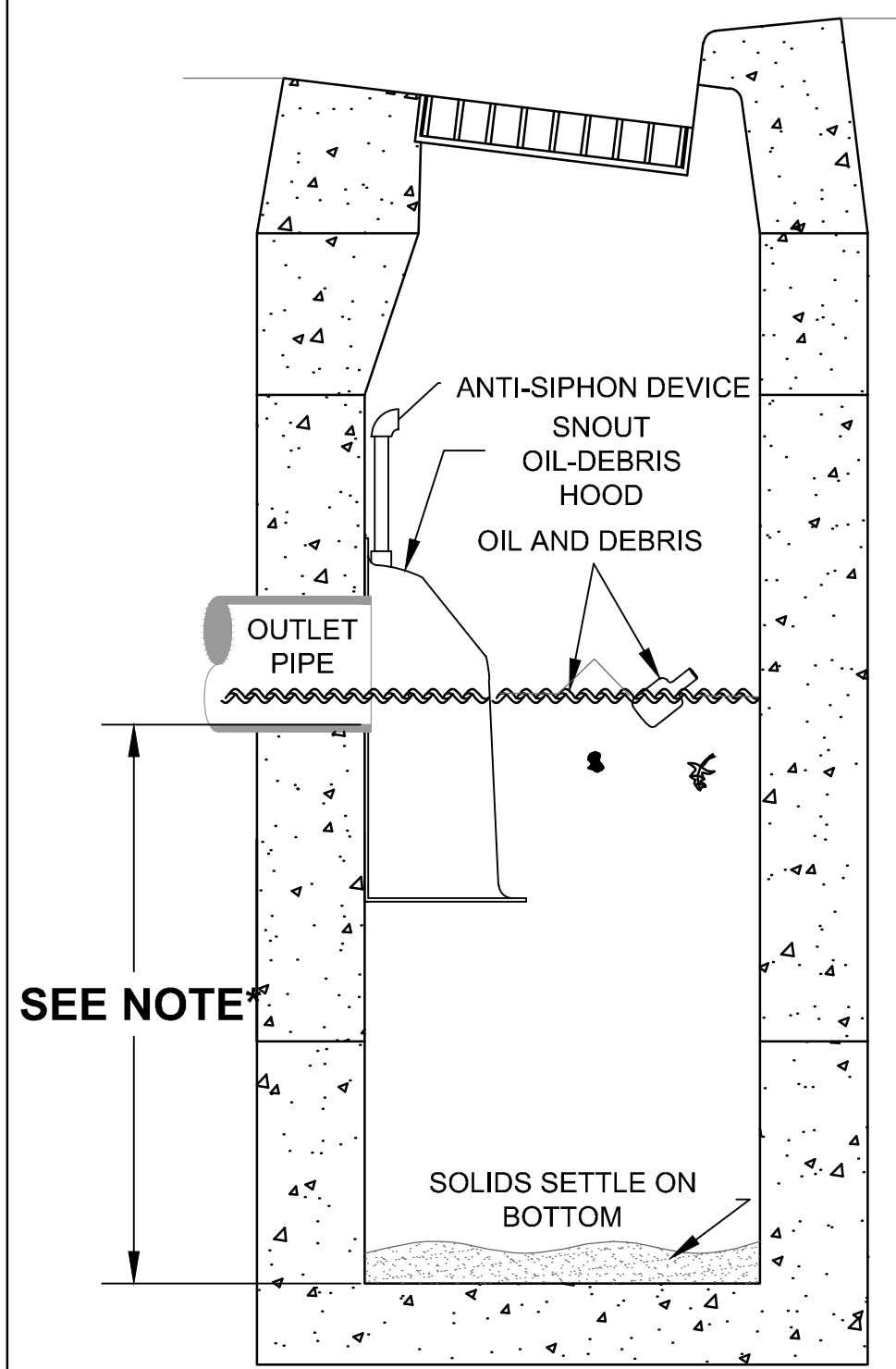
- \* Monthly monitoring for the first year of a new installation after the site has been stabilized.
- \* Measurements should be taken after each rain event of .5 inches or more, or monthly, as determined by local weather conditions.
- \* Checking sediment depth and noting the surface pollutants in the structure will be helpful in planning maintenance.
- \* The pollutants collected in SNOUT equipped structures will consist of floatable debris and oils on the surface of the captured water, and grit and sediment on the bottom of the structure.
- \* It is best to schedule maintenance based on the solids collected in the sump.
- \* Optimally, the structure should be cleaned when the sump is half full (e.g. when 2 feet of material collects in a 4 foot sump, clean it out).
- \* Structures should also be cleaned if a spill or other incident causes a larger than normal accumulation of pollutants in a structure.
- \* Maintenance is best done with a vacuum truck.
- \* If Bio-Skirts™ are being used in the structure to enhance hydrocarbon capture and/or bacteria removals, they should be checked on a monthly basis, and serviced or replaced when more than 2/3 of the boom is submerged, indicating a nearly saturated state. Assuming a typical pollutant-loading environment exists, Bio-Skirts should be serviced\* or replaced annually.
- \* In the case of an oil spill, the structure should be serviced and Bio-Skirts replaced (if any) immediately
- \* All collected wastes must be handled and disposed of according to local environmental requirements.
- \* To maintain the SNOUT hoods themselves, an annual inspection of the anti-siphon vent and access hatch are recommended. A simple flushing of the vent, or a gentle rodding with a flexible wire are all that's typically needed to maintain the anti-siphon properties. Opening and closing the access hatch once a year ensures a lifetime of trouble-free service.

**CONFIGURATION DETAIL**



SNOUT OIL-WATER-DEBRIS SEPARATOR

**TYPICAL INSTALLATION**



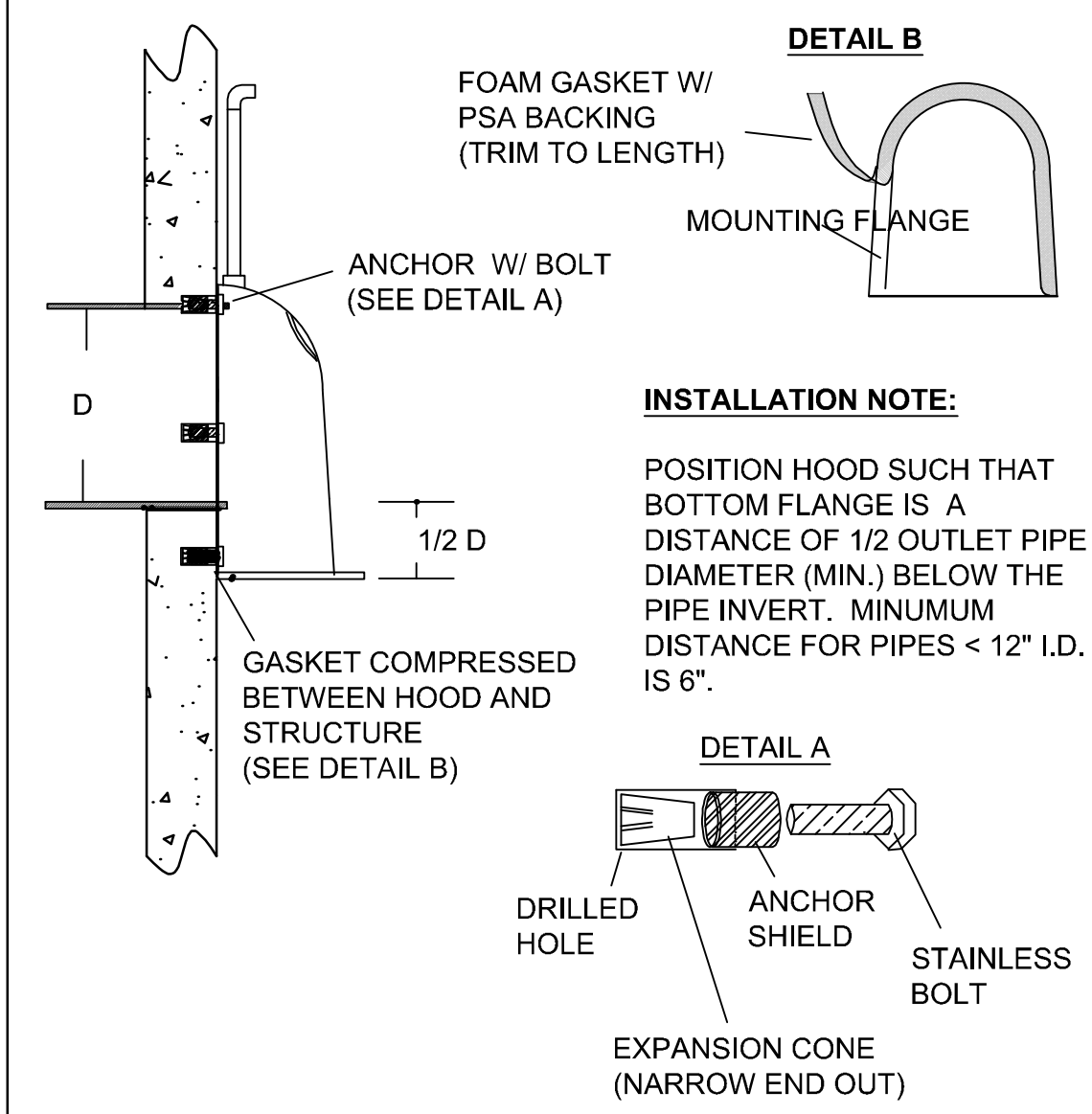
\*NOTE- SUMP DEPTH OF 36" MIN. FOR < OR= 12" DIAM. OUTLET. FOR OUTLETS >OR= 15", DEPTH = 2.5-3X DIAM.

**NOTES:**

1. ALL HOODS AND TRAPS FOR CATCH BASINS AND WATER QUALITY STRUCTURES SHALL BE AS MANUFACTURED BY: BEST MANAGEMENT PRODUCTS, INC. 53 MT. ARCHER RD. LYME, CT 06371 (860) 434-0277, (860) 434-3195 FAX TOLL FREE: (800) 504-8008 OR (888) 434-0277 WEB SITE: www.bmpinc.com OR PRE-APPROVED EQUAL
2. ALL HOODS SHALL BE CONSTRUCTED OF A GLASS REINFORCED RESIN COMPOSITE WITH ISO GEL COAT EXTERIOR FINISH WITH A MINIMUM 0.125" LAMINATE THICKNESS.
3. ALL HOODS SHALL BE EQUIPPED WITH A WATERTIGHT ACCESS PORT, A MOUNTING FLANGE, AND AN ANTI-SIPHON VENT PIPE AND ELBOW AS DRAWN. (SEE CONFIGURATION DETAIL)
4. THE SIZE AND POSITION OF THE HOOD SHALL BE DETERMINED BY OUTLET PIPE SIZE AS PER MANUFACTURER'S RECOMMENDATION (SNOUT SIZE ALWAYS LARGER THAN PIPE SIZE).
5. THE BOTTOM OF THE HOOD SHALL EXTEND DOWNWARD A MINIMUM DISTANCE EQUAL TO 1/2 THE OUTLET PIPE DIAMETER WITH A MINIMUM DISTANCE OF 6" FOR PIPES <12" I.D.
6. THE ANTI-SIPHON VENT SHALL EXTEND ABOVE HOOD BY MINIMUM OF 3" AND A MAXIMUM OF 12" ACCORDING TO STRUCTURE CONFIGURATION.
7. THE SURFACE OF THE STRUCTURE WHERE THE HOOD IS MOUNTED SHALL BE FINISHED SMOOTH AND FREE OF LOOSE MATERIAL AND PIPE SHALL BE FINISHED FLUSH TO WALL.
8. THE HOOD SHALL BE SECURELY ATTACHED TO STRUCTURE WALL WITH 3/8" STAINLESS STEEL BOLTS AND OIL-RESISTANT GASKET AS SUPPLIED BY MANUFACTURER. (SEE INSTALLATION DETAIL)
9. INSTALLATION INSTRUCTIONS SHALL BE FURNISHED WITH MANUFACTURER SUPPLIED INSTALLATION KIT. INSTALLATION KIT SHALL INCLUDE:
  - A. INSTALLATION INSTRUCTIONS
  - B. PVC ANTI-SIPHON VENT PIPE AND ADAPTER
  - C. OIL-RESISTANT CRUSHED CELL FOAM GASKET WITH PSA BACKING
  - D. 3/8" STAINLESS STEEL BOLTS
  - E. ANCHOR SHIELDS

US Patent # 6126817

**INSTALLATION DETAIL**



**HOOD SPECIFICATION FOR CATCH BASINS AND WATER QUALITY STRUCTURES**

DESCRIPTION	DATE	SCALE
OIL- DEBRIS HOOD SPECIFICATION AND INSTALLATION (TYPICAL)	09/08/00	NONE
DRAWING NUMBER		
SP-SN		

**SIENA LAKES ADDITION PHASE 1 Snout Detail**

	<b>RUGGLES &amp; BOHM</b> ENGINEERING   SURVEYING   LANDSCAPE ARCHITECTURE   GOVERNMENT 924 NORTH MAIN WICHITA, KANSAS 67203 P (316) 264-8008 F (316) 264-4621 WWW.RUGGLESANDBOHM.COM	DATE ##### DESIGN E.JG DRAWN DS REVIEW 9-30-2015 SHEET 16 OF 37
	PROJECT NUMBER 468-84971	DWG. SCALE 4350E ...
	DRAWING FILE 4350E Storm Sewer Details [Snout Detail]	