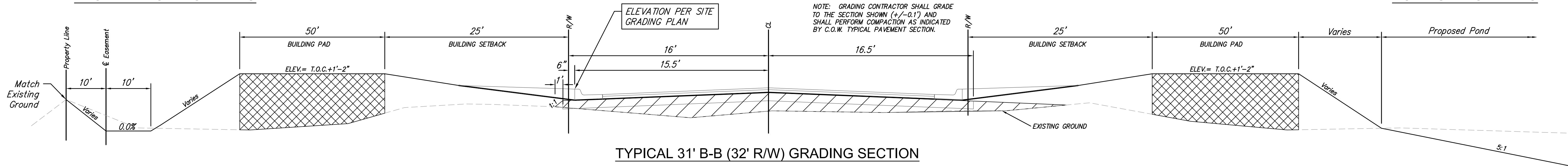


EASEMENT SIDE GRADING

POND SIDE GRADING

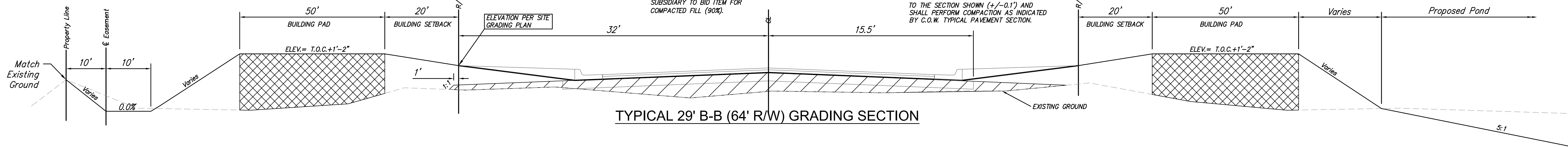


TYPICAL 31' B-B (32' R/W) GRADING SECTION

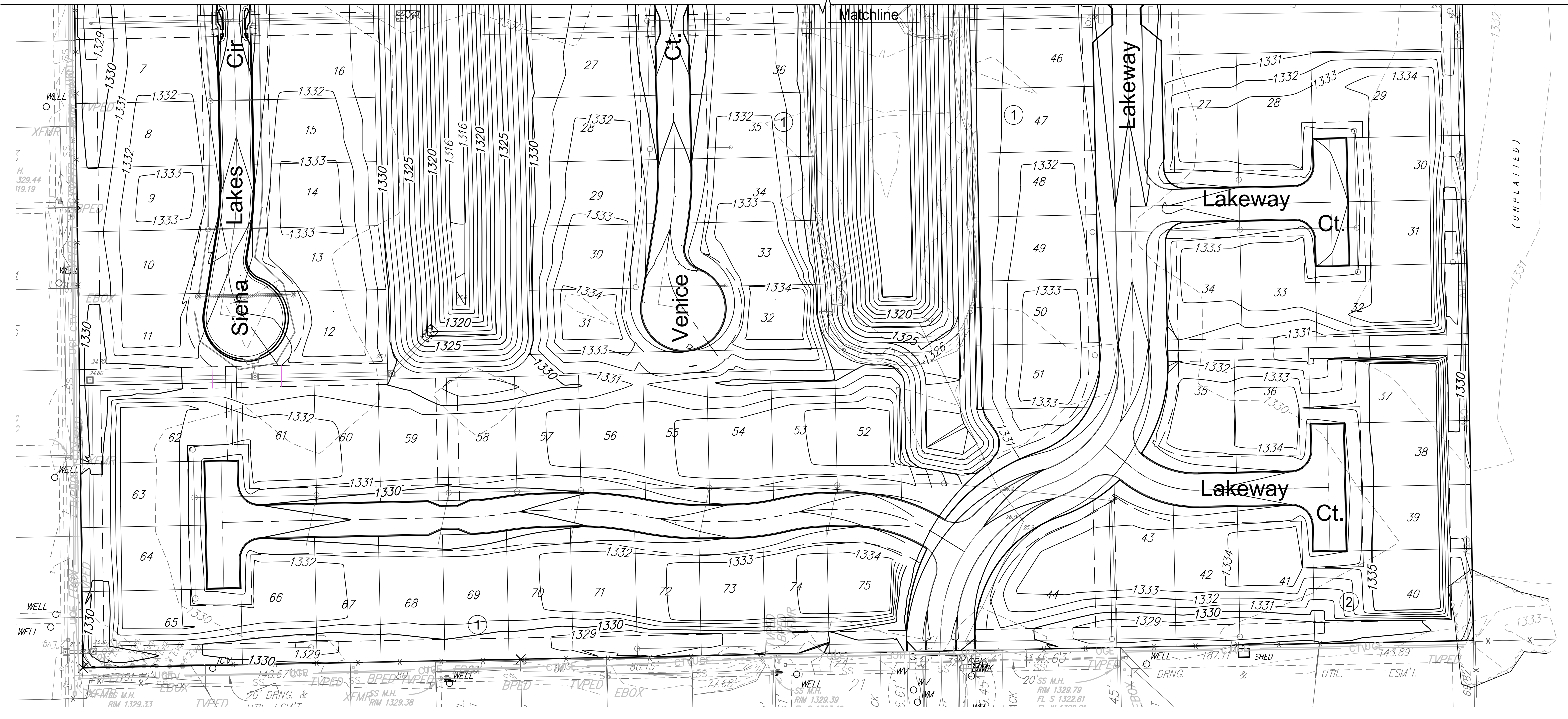
COMPACTED FILL - ALL FILL PLACED WITHIN THIS AREA SHALL BE COMPACTED TO 95% STANDARD DENSITY. THIS FILL SHALL BE PLACED IN 1 FOOT MAXIMUM LIFTS. COST SUBSIDIARY TO BID ITEM FOR COMPACTED FILL (95%).

COMPACTED FILL - ALL FILL PLACED WITHIN THIS AREA SHALL BE COMPACTED TO 90% STANDARD DENSITY. COST SUBSIDIARY TO BID ITEM FOR COMPACTED FILL (90%).

NOTE: GRADING CONTRACTOR SHALL GRADE TO THE SECTION SHOWN (+/-0.1') AND SHALL PERFORM COMPACTION AS INDICATED BY C.O.W. TYPICAL PAVEMENT SECTION.



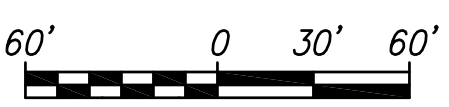
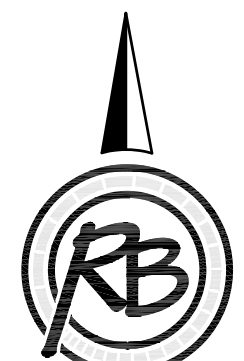
TYPICAL 29' B-B (64' R/W) GRADING SECTION



See Sheets 27-36 for spot grades.

LEGEND

- 1330 --- Existing Contours
- 1330 --- Existing Contours
- 1330 — Proposed Contours
- 1330 — Proposed Contours



**SIENA LAKES ADDITION PHASE 1
SITE GRADING-SOUTH**



ENGINEERING | SURVEYING | LANDSCAPE ARCHITECTURE | GOVERNMENT
924 NORTH MAIN WICHITA, KANSAS 67203 P (316) 264-8008 F (316) 264-4621
WWW.RUGGLESANDBOHM.COM

PROJECT NUMBER: 468-84971
RB JOB NO.: 4350E
DWG. SCALE: ...
DRAWING FILE: Siena Lakes Eng Base [SITE GRADING-SOUTH]

DATE: 11-3-2015
DESIGN: EJC
DRAWN: DS
REVIEW: ...
SHEET: 2
OF: 37

F:\Projects\Projects_4300-4399\4350E (Sienna Lakes Ph 1 Engineering_Randy Keltner)\Phase 1 - Jay Russell\Sienna Lakes Eng Base.dwg