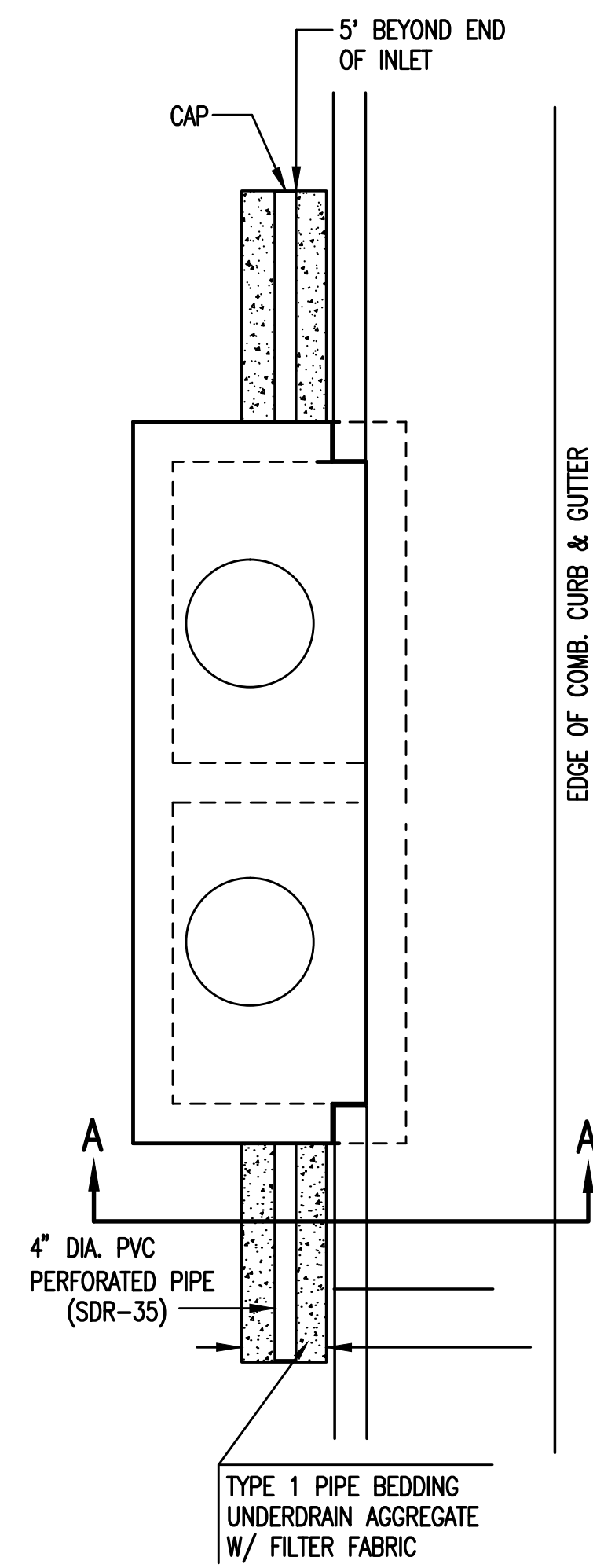
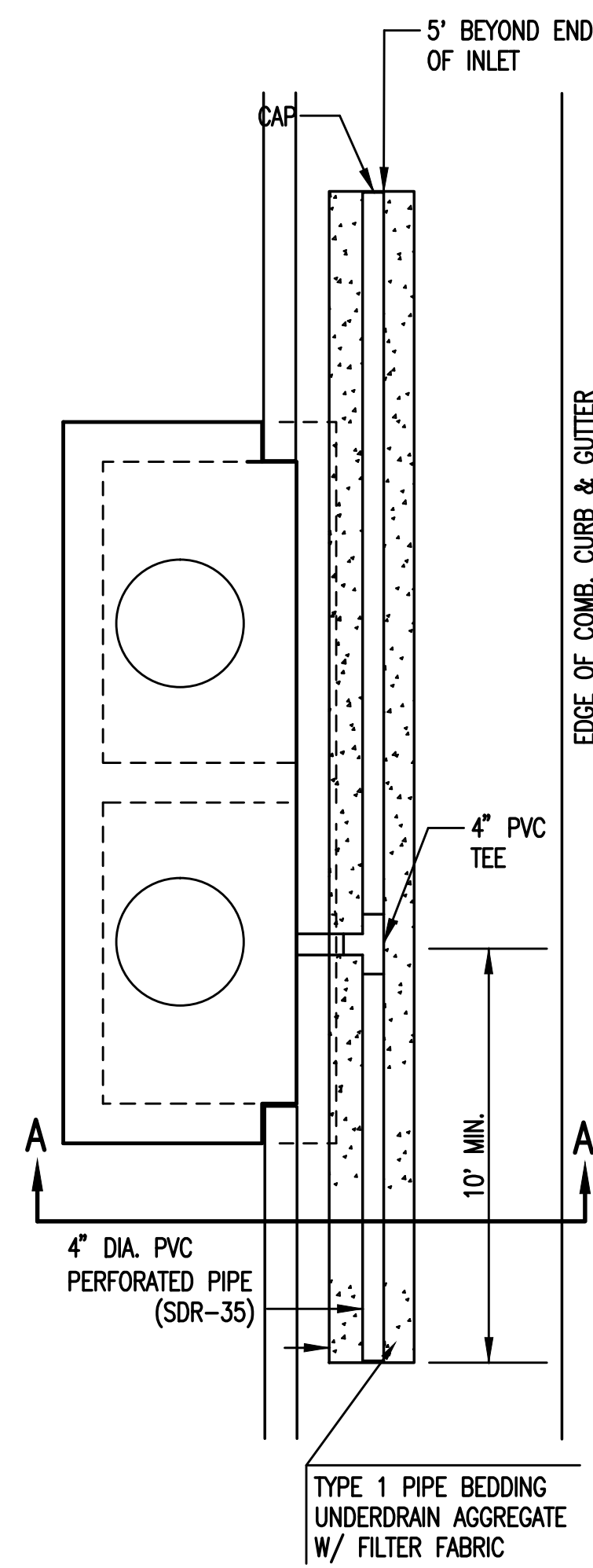


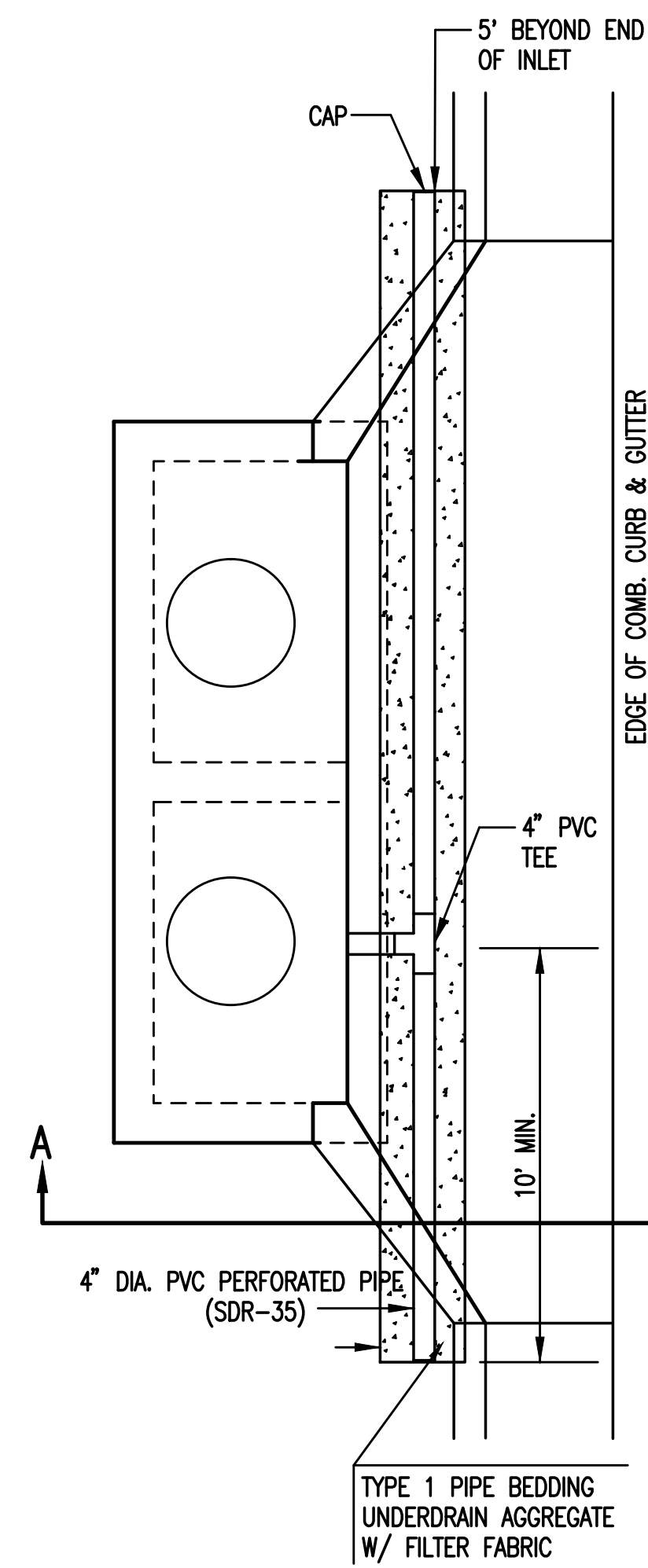
PAVEMENT UNDERDRAIN SHALL BE INSTALLED ON ALL CURB INLETS.



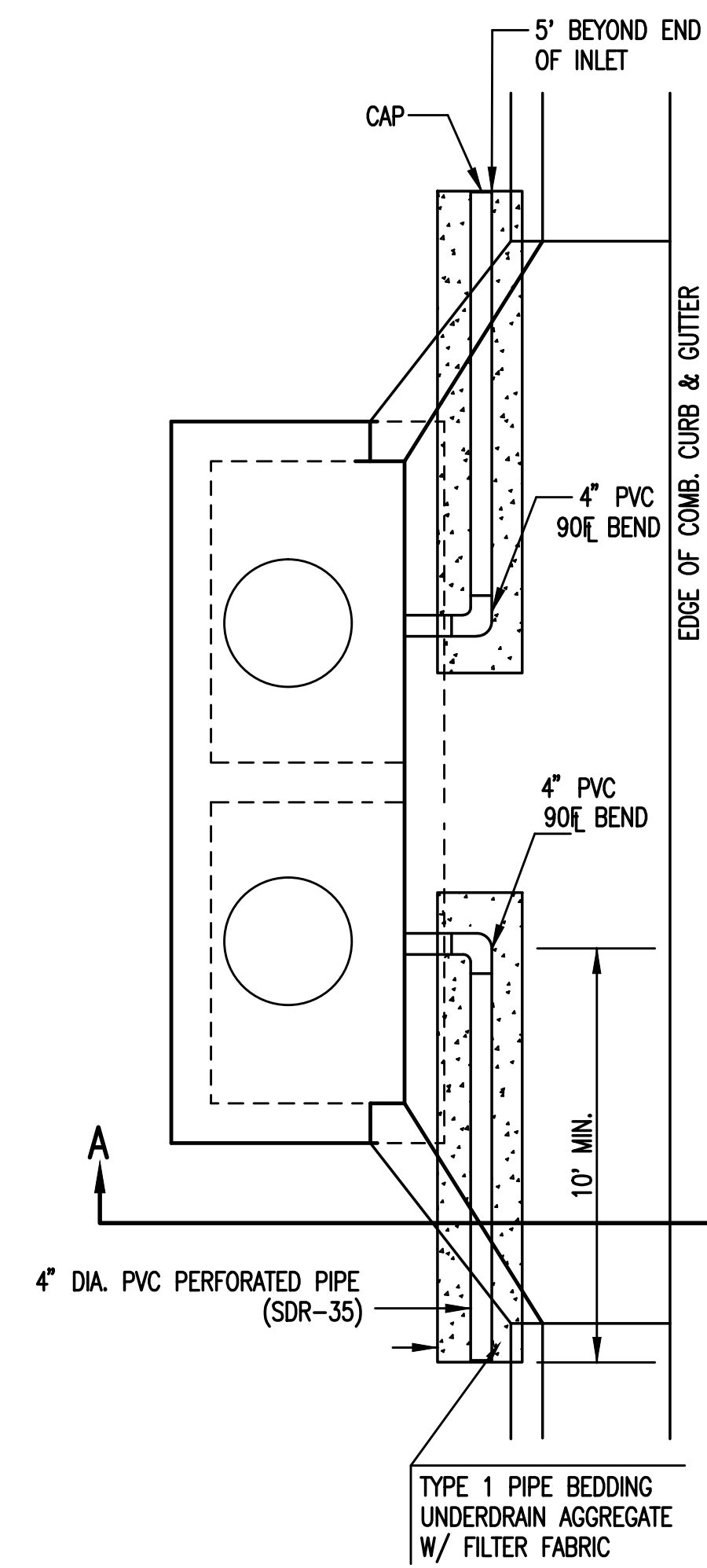
**TYPE 1
OPTION 1**



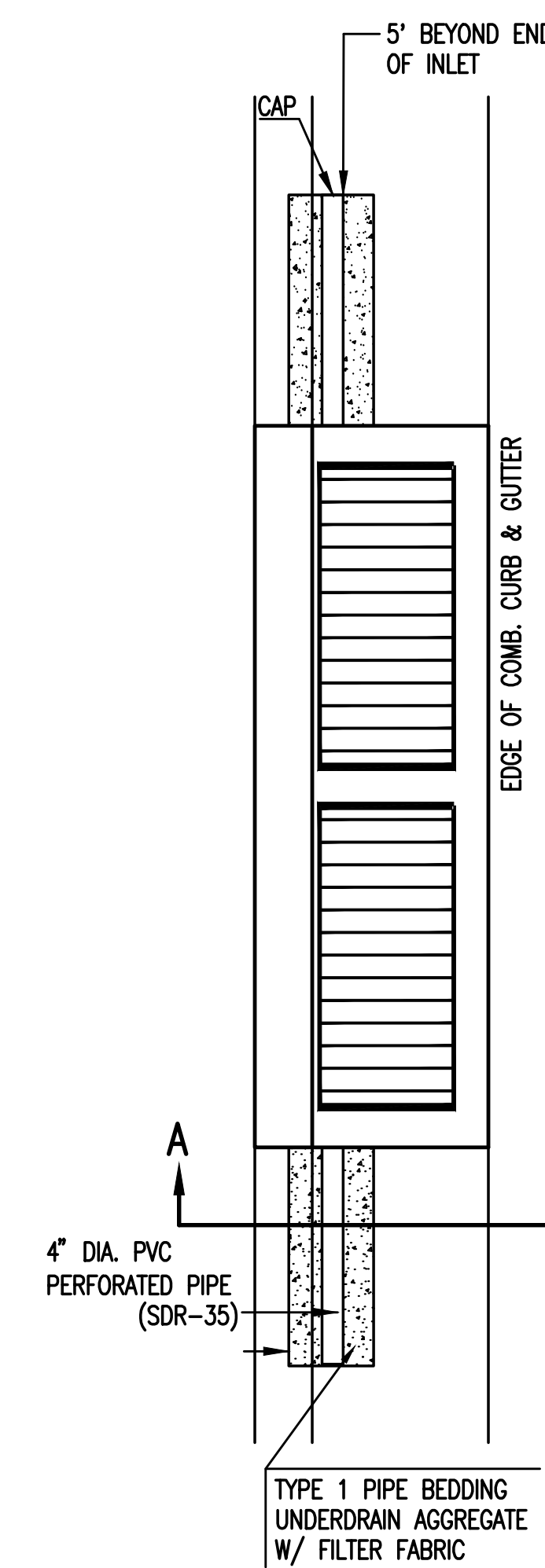
**TYPE 1
OPTION 2**



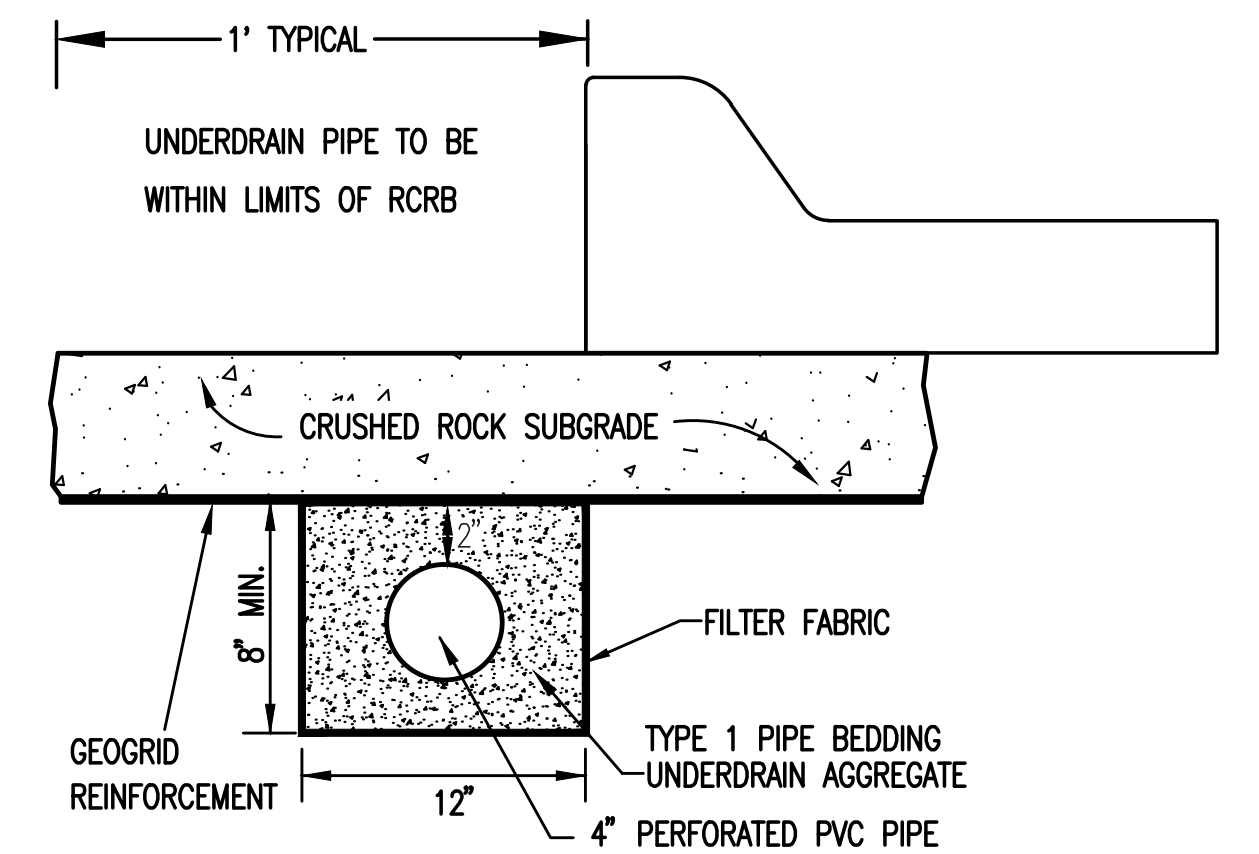
**TYPE 1-A INLET
OPTION 1**



**TYPE 1-A INLET
OPTION 2**



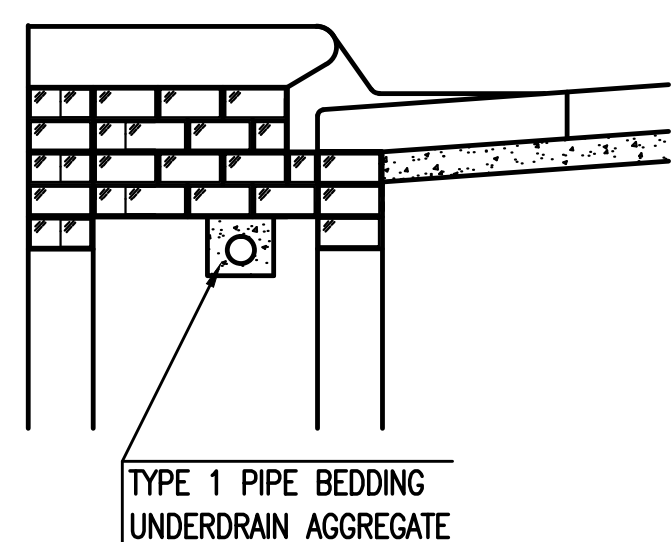
TYPE 2



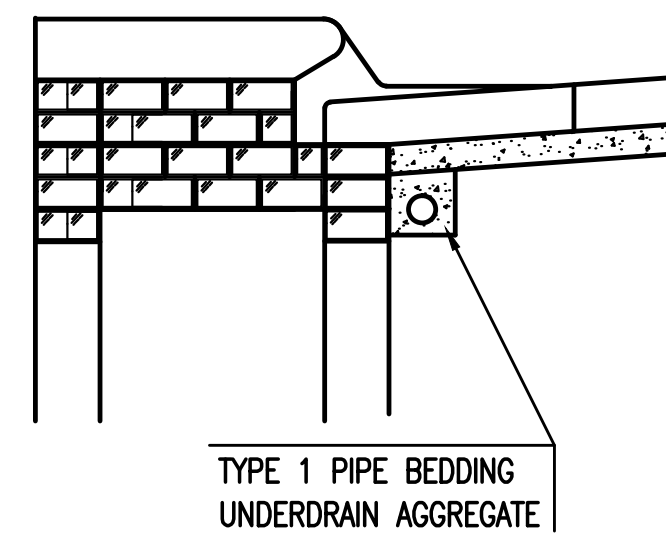
SECTION A-A (TYPICAL)

GENERAL NOTES

- PAVEMENT CONTRACTOR WILL BE REQUIRED TO INSTALL SDR 35, 4" PERFORATED DRAIN PIPE AND TEE AS INDICATED IN THE DETAILS.
- WHEN SWS CONSTRUCTED BY SEPARATE PROJECT, SWS CONTRACTOR SHALL INSTALL SDR 35, 4" DRAIN PIPE STUB ONLY THROUGH WALLS OF CURB INLETS AND CAP TO ALLOW FUTURE CONNECTION OF TEE AND ADDITIONAL DRAIN PIPE BY OTHERS.
- UNDERDRAIN PIPE SHALL BE PAID AS A MEASURED QUANTITY BY THE LINEAL FOOT.



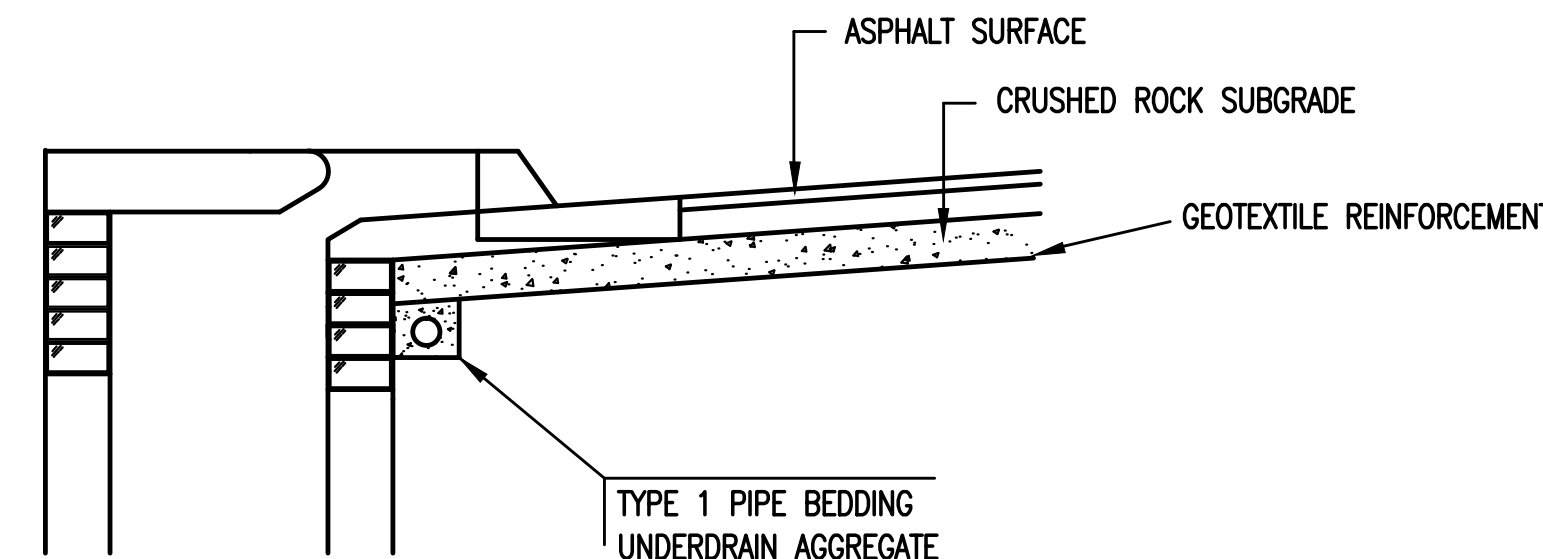
TYPE 1 PIPE BEDDING
UNDERDRAIN AGGREGATE



TYPE 1 PIPE BEDDING
UNDERDRAIN AGGREGATE

(MIN. 16 PERFORATIONS PER LIN. FT. @ 1/4" DIA.)
PERFORATIONS TO BE ON BOTTOM HALF

SECTION A-A

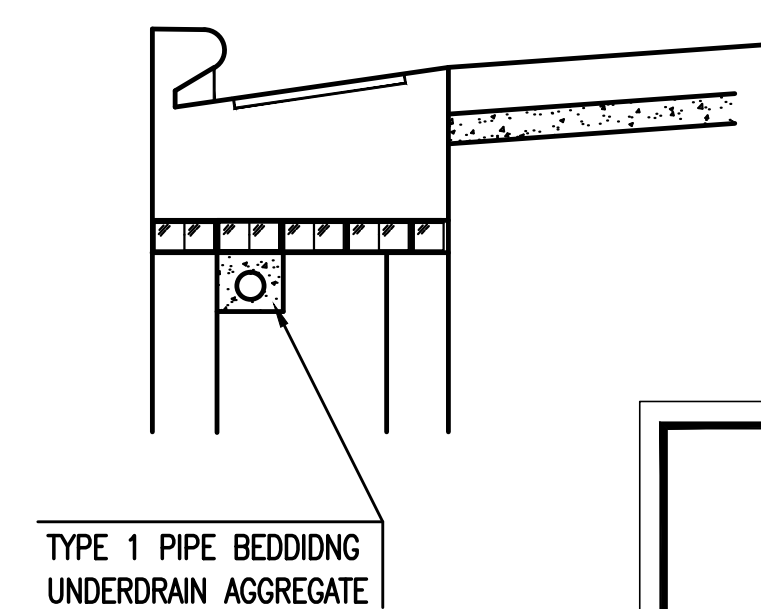


TYPE 1 PIPE BEDDING
UNDERDRAIN AGGREGATE

SECTION A-A

PAVEMENT UNDERDRAIN DETAIL

BID ITEM TO BE PROVIDED PER 4" PERFORATED UNDERDRAIN PIPE.



TYPE 1 PIPE BEDDING
UNDERDRAIN AGGREGATE

SECTION A-A



| | | |
|--|----------------------|--------------------------|
| CURB INLET PAVEMENT UNDERDRAIN DETAIL | | |
| CITY ENGINEER GARY JANZEN, P.E. | | |
| PROJECT NUMBER 472-84991 | OCA NUMBER 766348 | DATE 10/2012 |
| CITY ENGINEER'S OFFICE CITY HALL - SEVENTH FLOOR 455 NORTH MAIN STREET WICHITA, KANSAS 67202-1620 (316) 268-4501 | | SHEET 13 of 36 |

Scaled: 10/30/2015 12:33:07 PM by: PFT
 Plot: Scale: 1:1 11/02/2015 9:07:10 AM by: BOY, THOMAS
 U:\Wichita-Civil\2015\15120\001\Drawings\15120-001-13C-CURB INLET PAVEMENT UNDERDRAIN DETAILS