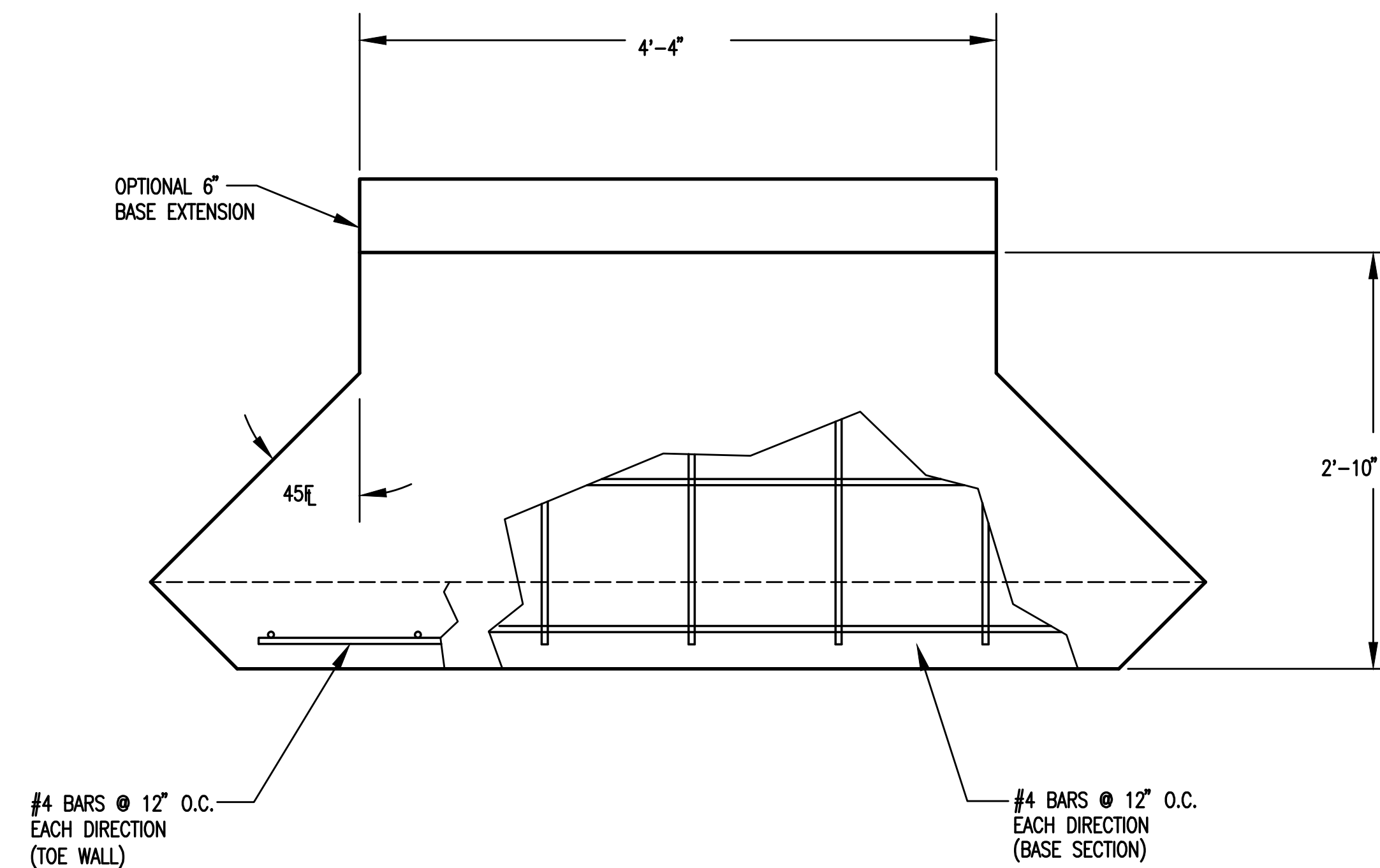
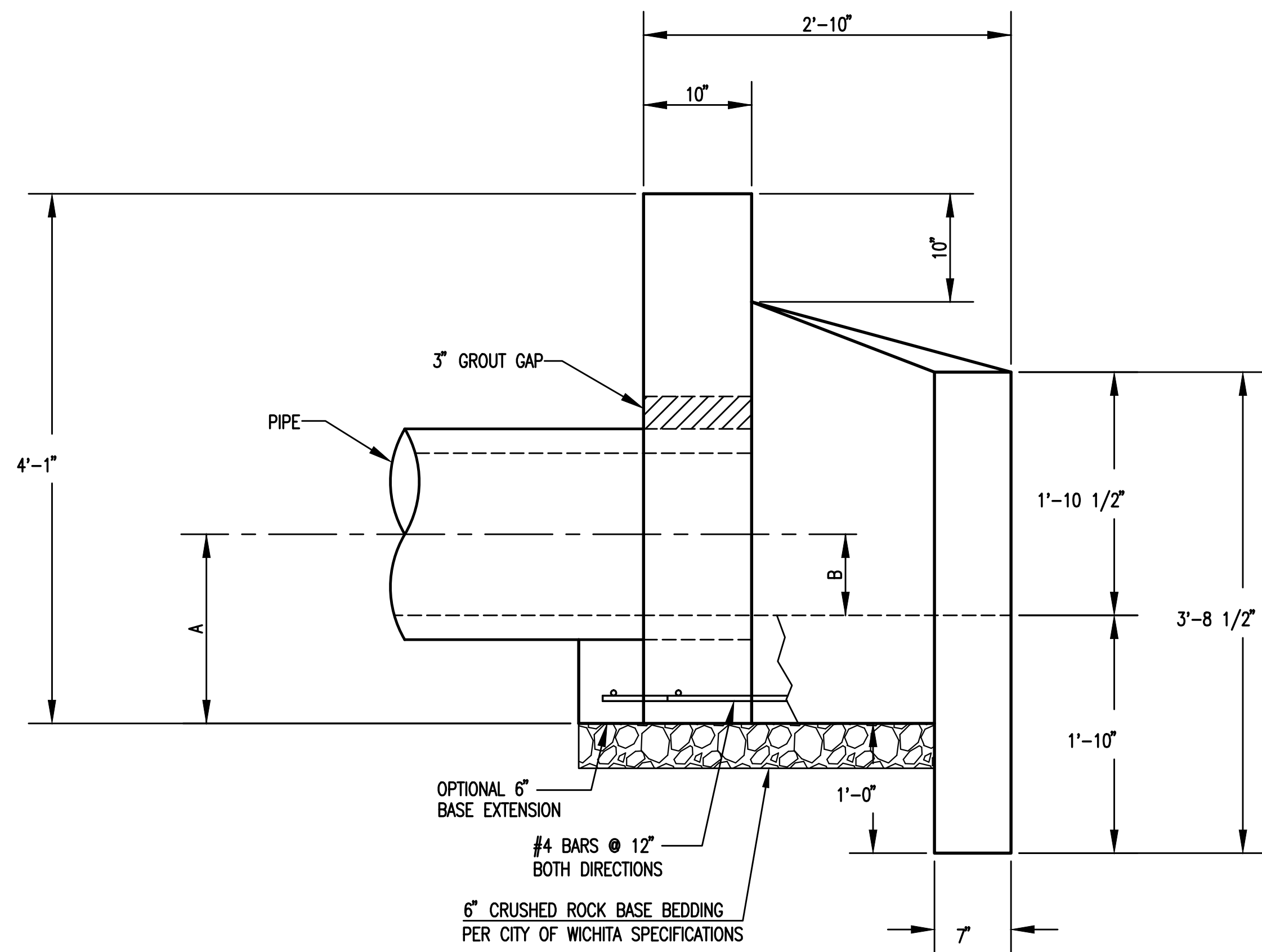


PLAN VIEW

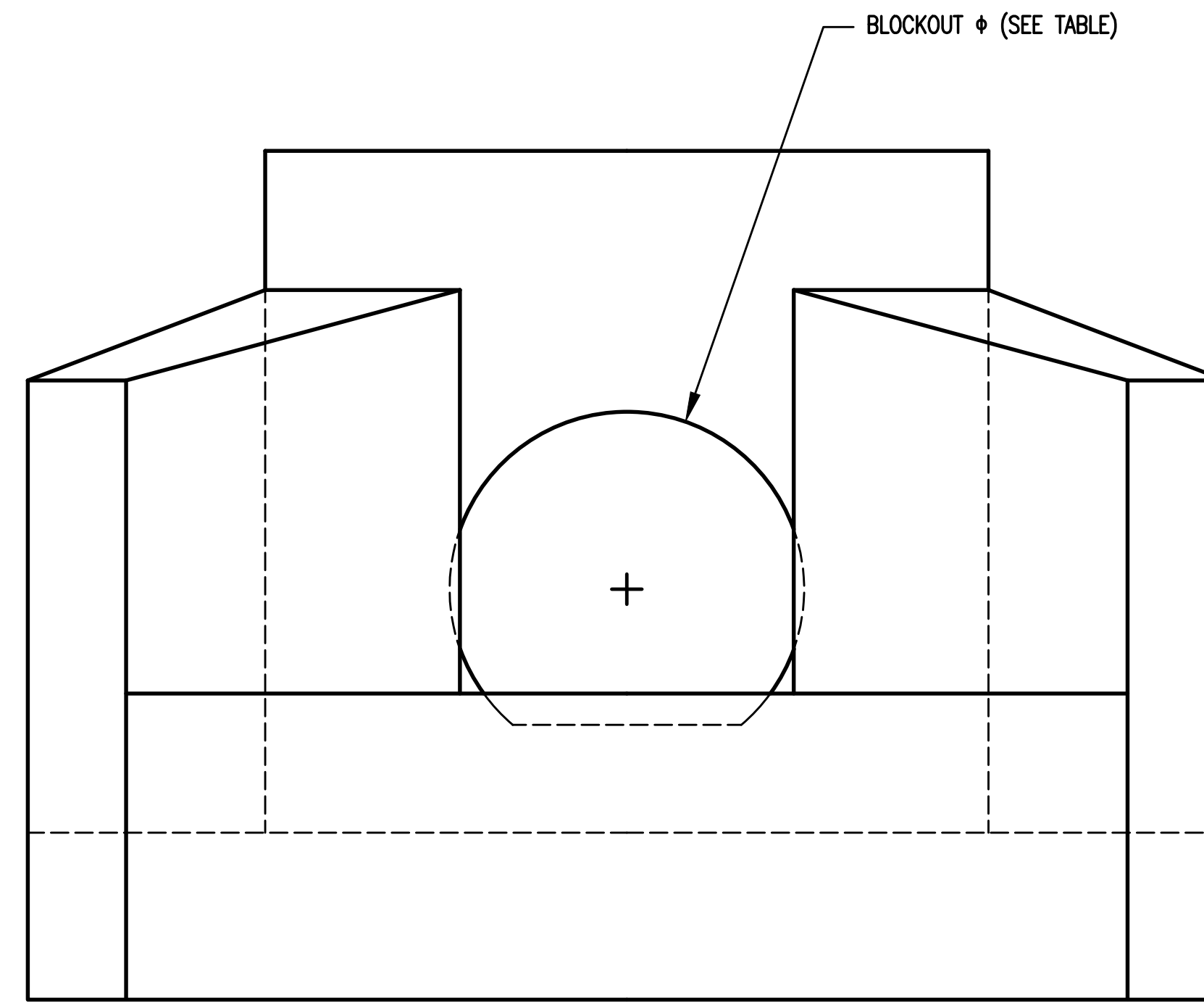


PLAN VIEW  
BASE

PIPE $\phi$	A	B	BLOCKOUT $\phi$
15"	1'-5 1/2"	7 1/2"	2'-1 1/2"
18"	1'-7"	9"	2'-5"
24"	1'-10"	1'-0"	3'-0"



ELEVATION



FRONT VIEW

HEADWALLS, AS SHOWN, WILL NOT SUPPORT FLAP GATE.



**HEADWALL  
DETAILS FOR  
15", 18", AND 24" PIPE**

CITY ENGINEER  
**GARY JANZEN, P.E.**

PROJECT NUMBER 472-84991	OCA NUMBER 766348	DATE 11/2010
-----------------------------	----------------------	-----------------

CITY ENGINEER'S OFFICE  
CITY HALL - SEVENTH FLOOR  
455 NORTH MAIN STREET  
WICHITA, KANSAS 67202-1620  
(316) 268-4501

SHEET  
**15 of 36**



Sheet 10-30-2015 12:42:37 PM by RBT  
 Proj. Seta 11-11-2015 9:47:27 AM by ROY THOMAS  
 U:\Wichita-Civil\2015\15120\01\Wum\Drawings\15120-001-ISC-HEADWALL DETAILS FOR 15, 18 AND 24 PIPE