

**GENERAL NOTES**

FABRIC BASE REINFORCEMENT SHALL BE AN APPROVED GEOGRID PER CITY OF WICHITA STANDARD SPECIFICATIONS AND SPECIAL PROVISIONS. FABRIC BASE REINFORCEMENT SHALL BE INSTALLED IN ACCORDANCE WITH MANUFACTURER'S RECOMMENDATIONS.

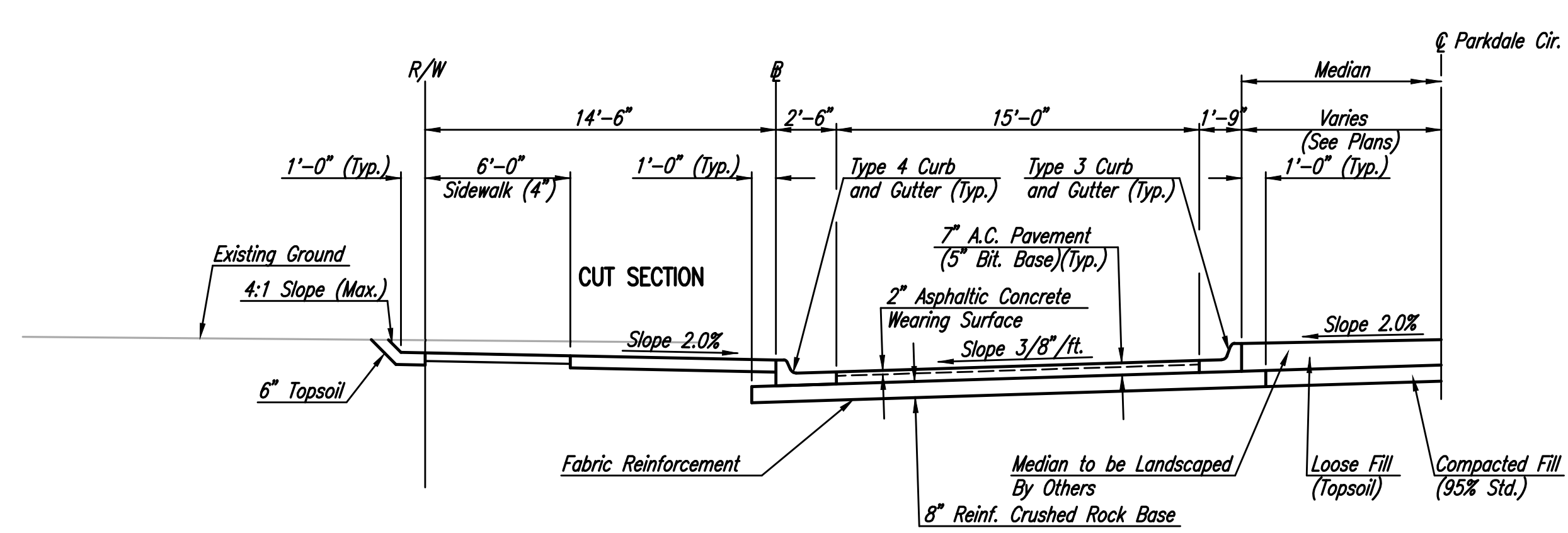
ROCK BASE IS TO BE COMPACTED AND SMOOTHED WITH A STEEL FACED ROLLER PRIOR TO PLACEMENT OF ASPHALT. TACK COAT WILL NOT BE APPLIED TO ROCK BASE.

A TACK COAT OF EMULSIFIED ASPHALT (SC-1H OR CSS-1H) SHALL BE APPLIED AT AN APPROXIMATE RATE OF 0.05 GALLONS PER SQUARE YARD BETWEEN EACH LIFT OF ASPHALTIC MATERIAL.

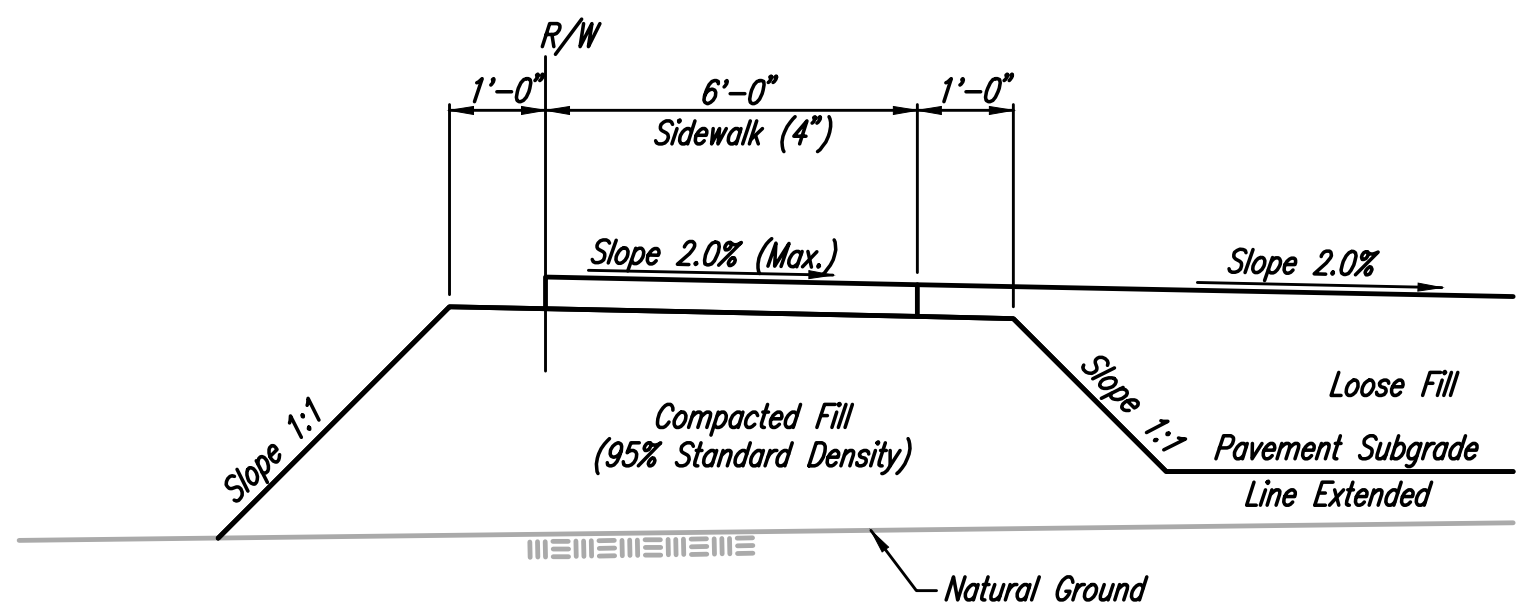
BITUMINOUS BASE AND ASPHALTIC CONCRETE WEARING SURFACE SHALL BE PLACED WITH A LAYDOWN MACHINE HAVING AUTOMATIC CONTROLS FOR LINE AND GRADE. USE OF RAP MATERIAL IN ASPHALT MIX SHALL BE IN ACCORDANCE WITH THE CITY OF WICHITA STANDARD SPECIFICATIONS AND SPECIAL PROVISIONS.

CONSTRUCTION JOINTS IN EACH LIFT SHALL BE STAGGERED A MINIMUM DISTANCE OF ONE (1) FOOT FROM JOINTS IN PRECEDING LIFTS AND PLACED SO THAT A JOINT WILL BE CONSTRUCTED ON THE CENTERLINE OF THE TOP LIFT.

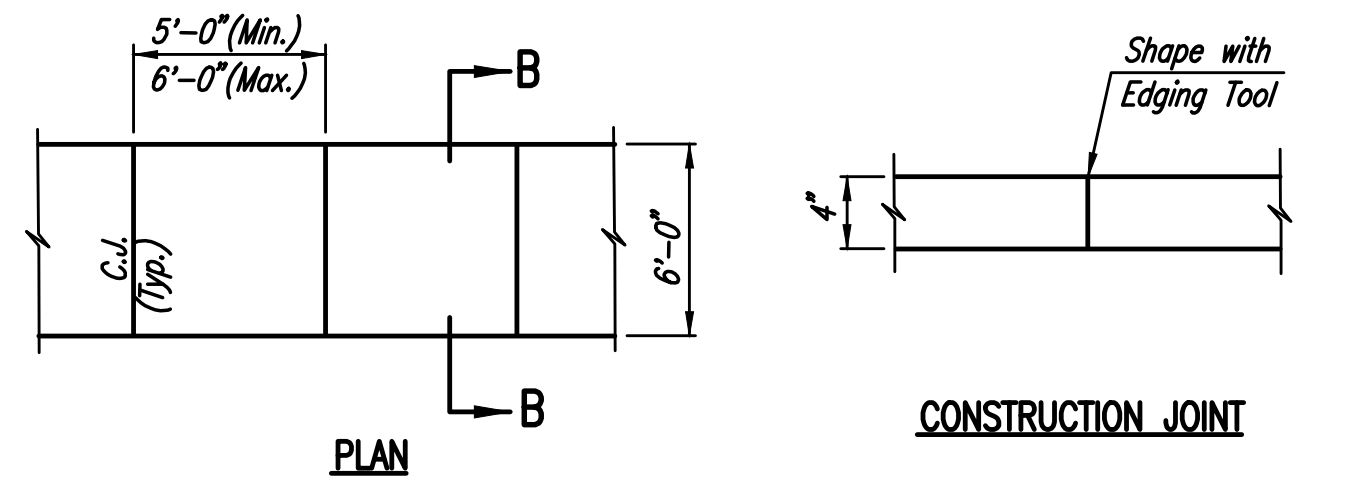
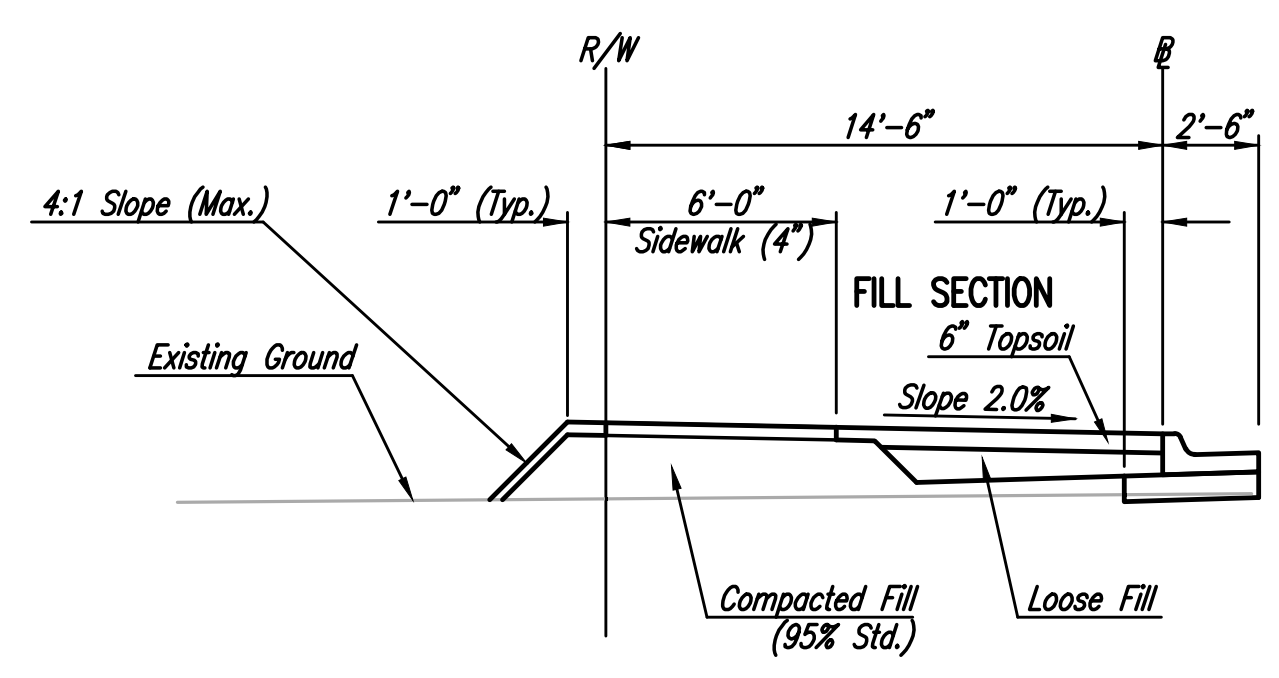
THE ASPHALTIC CONCRETE PAVEMENT BETWEEN THE COMBINED CURB AND GUTTER SHALL BE PAID AS SQUARE YARDS OF A.C. PAVEMENT 7" (5" BITUMINOUS BASE).



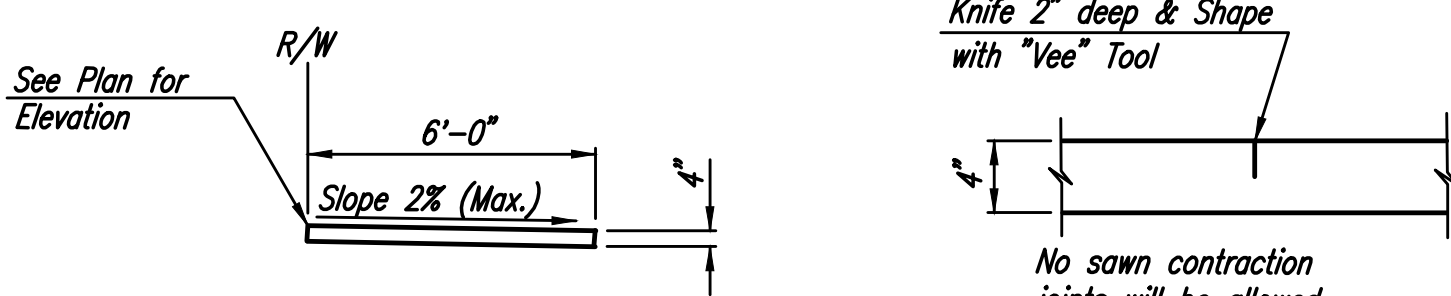
**TYPICAL SECTION**  
 @ Sta. 36+81.05 to @ Sta. 37+28.28  
 @ Sta. 47+72.99 to @ Sta. 48+20.22  
 Parkdale Circle



**COMPACTED FILL DETAIL**  
 WHERE SIDEWALK IS CONSTRUCTED IN FILL  
 (See Plan Sheets for Locations)

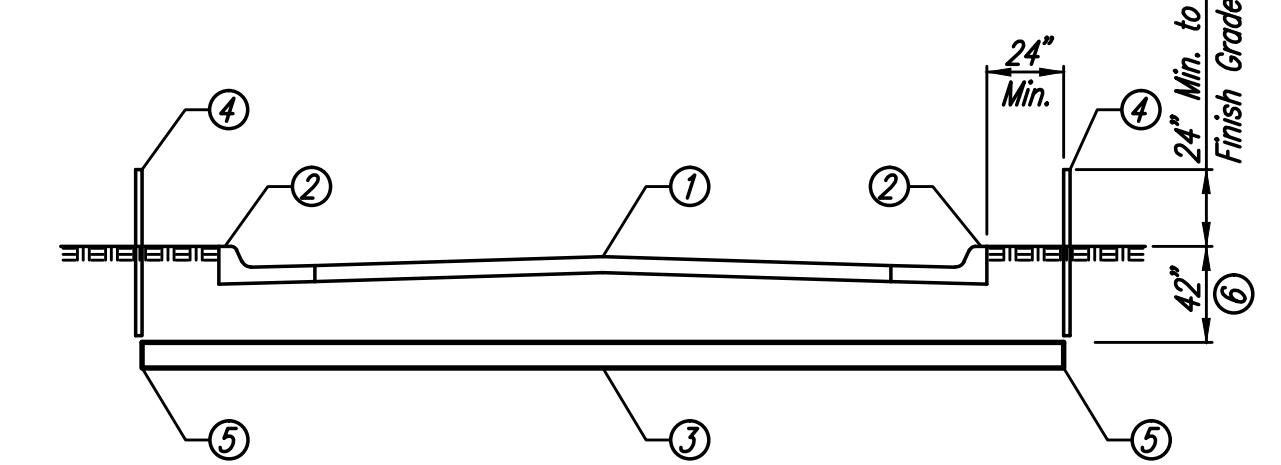


**CONSTRUCTION JOINT**



**SECTION B-B**

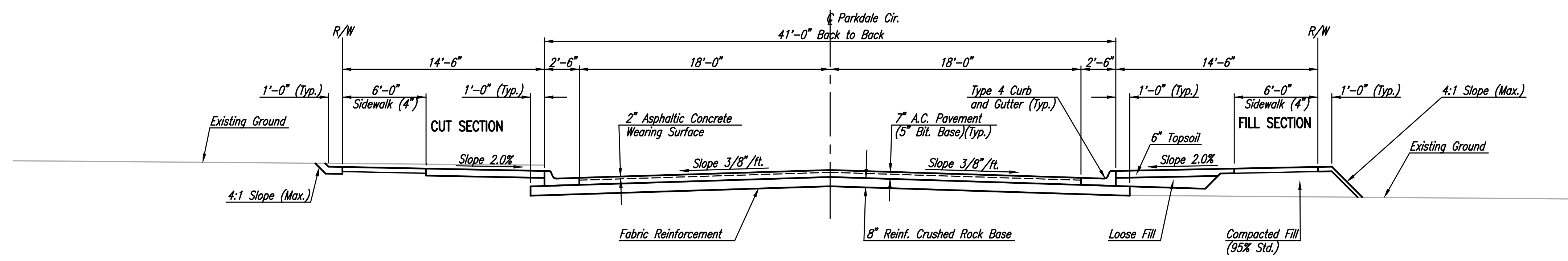
**4" WALK DETAILS**



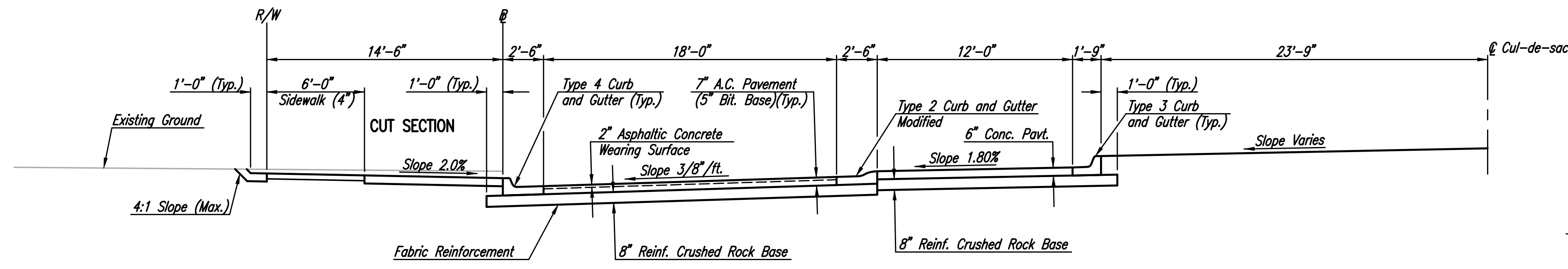
**CLASS SDR 21 SLEEVES**

Payment for "Irrigation Sleeves" Shall be Per Linear Foot, and Shall Include Items 2 thru 5 Listed Below.

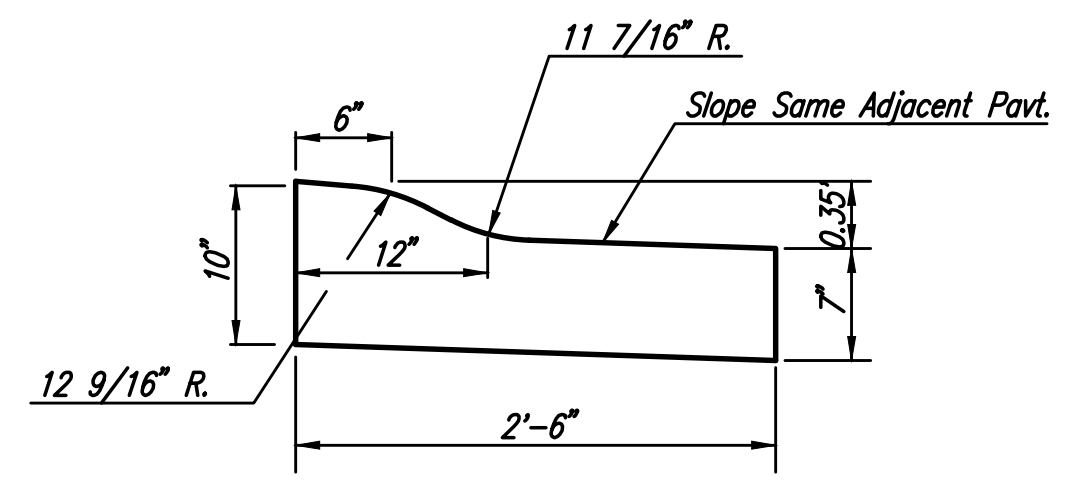
- ① Pavement/Street
- ② Permanent Mark on Top of Curb, Stamped in Wet Concrete-"x" or "s"
- ③ 4" Class SDR 21 Sleeve Extended 2' Past Back of Curbs. Sleeves Shall be Bedded and Backfilled in Accordance with City of Wichita Specifications for Flexible Sanitary/Storm Sewer Pipe.
- ④ Temporary T-Post Marker, Until Permanent Benchmark is Made in Concrete (2 Total)
- ⑤ 4" PVC Caps-Not Glued (2 Total)
- ⑥ Adjust Depth Where Necessary to Avoid Other Utilities.



**TYPICAL SECTION**  
 @ Sta. 17+75.04 to @ Sta. 20+43.28  
 Parkdale Circle



**SECTION A-A THRU CUL-DE-SAC**



**TYPE 2 CURB AND GUTTER-MODIFIED**

SEE SHEET NO. 7 FOR CURB & GUTTER DETAILS

EARTHWORK SUMMARY (C.Y.)			
	Unclassified Excavation	Compacted Fill (95%)	Fill**
Parkdale Circle	1,309	775	372
<b>TOTALS</b>	<b>1,309</b>	<b>775</b>	<b>372</b>

\*\*FOR INFORMATION ONLY-NOT A PAY ITEM. NO SHRINKAGE FACTOR HAS BEEN APPLIED.  
 ESTIMATED BORROW MATERIAL REQUIRED= (1147/0.85) = 1309 = 40 C.Y.  
 VMF = 0.85 (ASSUMED)

WASTE MATERIAL SHALL BE SPREAD ON PROJECT SITE, BLADED SMOOTH AND SLOPED TO DRAIN.

BORROW MATERIAL IS AVAILABLE FOR CONTRACTOR UTILIZATION AT PROJECT SITE. CONTRACTOR SHALL COORDINATE UTILIZATION OF SITE BORROW MATERIAL WITH OWNER.

THE CONTRACTOR SHALL SATISFY THEMSELVES WITH THE EARTHWORK QUANTITIES AND NO CHANGE ORDER FOR EARTHWORK WILL BE APPROVED.

No.	Revision	By	Date

NEWMARKET OFFICE 2ND-PHASE 2  
 PAVING AND INCIDENTAL DRAINAGE IMPROVEMENTS

## TYPICAL PAVEMENT SECTIONS

GARY JANZEN, P.E. - CITY ENGINEER  
 CITY OF WICHITA PROJECT NO. 472-84991

PROFESSIONAL ENGINEERING CONSULTANTS, P.A.  
 303 SOUTH TOPEKA WICHITA, KS 67202  
 316-262-2691 www.pec1.com

Designed by	BMM, TBK	Job No.	35-15120-001	Sht. 03 of 36
Drawn by	BJS	Date	November 2015	

Sowed 10-29-2015 12:43:20 PM by BFT  
 Plot Scale 1:1 11-02-2015 9:05:04 AM by RET  
 U:\Wichita-Civil\2015\15120\001\Drawings\15120-001-03C-TYPICAL PAVEMENT SECTIONS