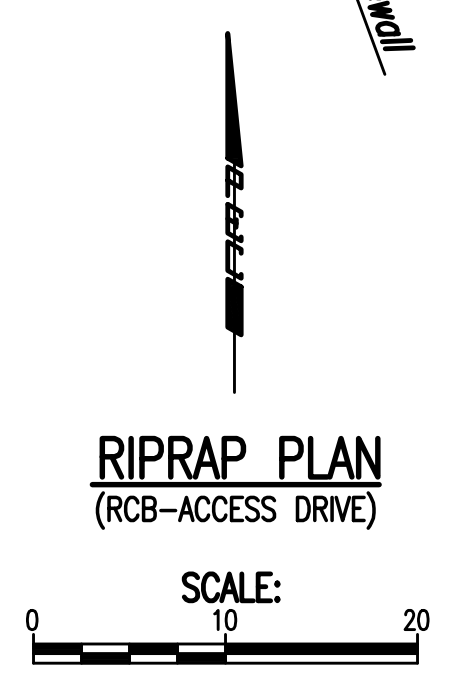
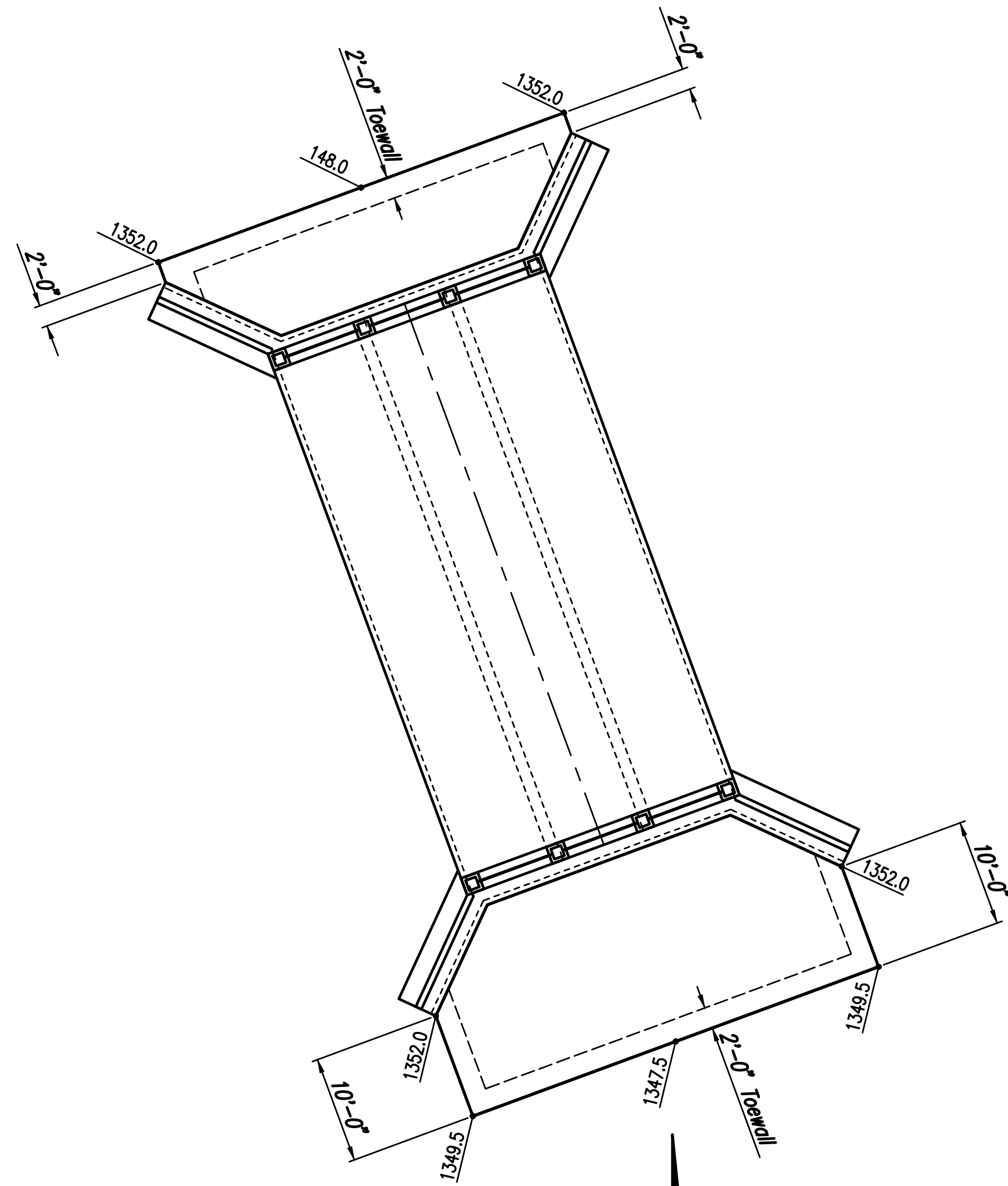
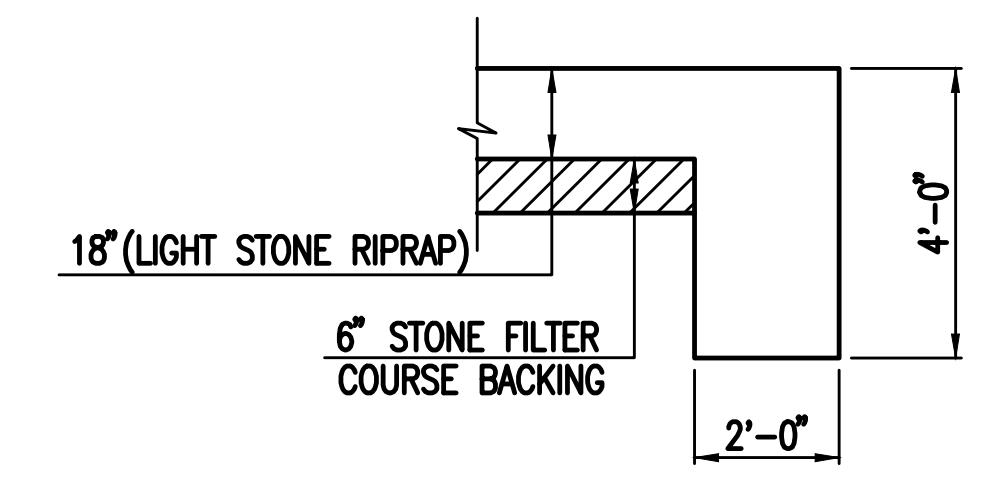


Saved: 10-05-2015 12:45:04 PM by PLS  
 Plot Scale: 1:1 11-02-2015 09:39:43 AM by ROY THOMAS  
 U:\Wichita-Civil\2015\15120\002\Wm\Drawings\15120-002-10C-MISCELLANEOUS DETAILS



**RIPRAP PLAN**  
(RCB-ACCESS DRIVE)

SCALE:  
0 10 20

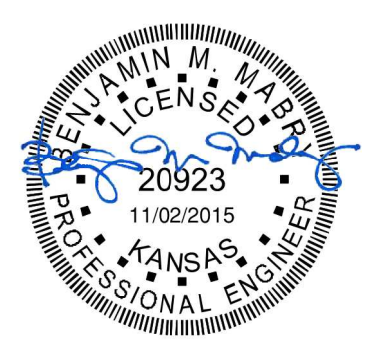


**TYPICAL SECTION THRU TOEWALL**  
NO SCALE

NOTES

1. ALL RIPRAP FOR THIS PROJECT SHALL BE NATURAL STONE. NEITHER BROKEN CONCRETE, FABRIC ENVELOPE, NOR PREMIXED DRY PACKAGED CONCRETE BAG ALTERNATES WILL BE ALLOWED, UNLESS INDICATED OTHERWISE.
2. TOEWALLS SHALL BE INSTALLED ALONG ALL UNPROTECTED EDGES OF STONE RIPRAP.
3. GROUTING OF THE SURFACE OF THE RIPRAP SHALL NOT BE PERFORMED, UNLESS INDICATED OTHERWISE. GROUTING OF THE TOEWALLS SHALL BE PERFORMED PER CITY SPECIFICATIONS.

**LIGHT STONE RIPRAP DETAILS**



<b>MISCELLANEOUS DETAILS (STORM SEWER)</b>		
CITY ENGINEER <b>GARY JANZEN, P.E.</b>		
PROJECT NUMBER 472-85225	OCA NUMBER 766349	DATE 11/2010
CITY ENGINEER'S OFFICE CITY HALL - SEVENTH FLOOR 455 NORTH MAIN STREET WICHITA, KANSAS 67202-1620 (316) 268-4501		SHEET <b>10 of 25</b>