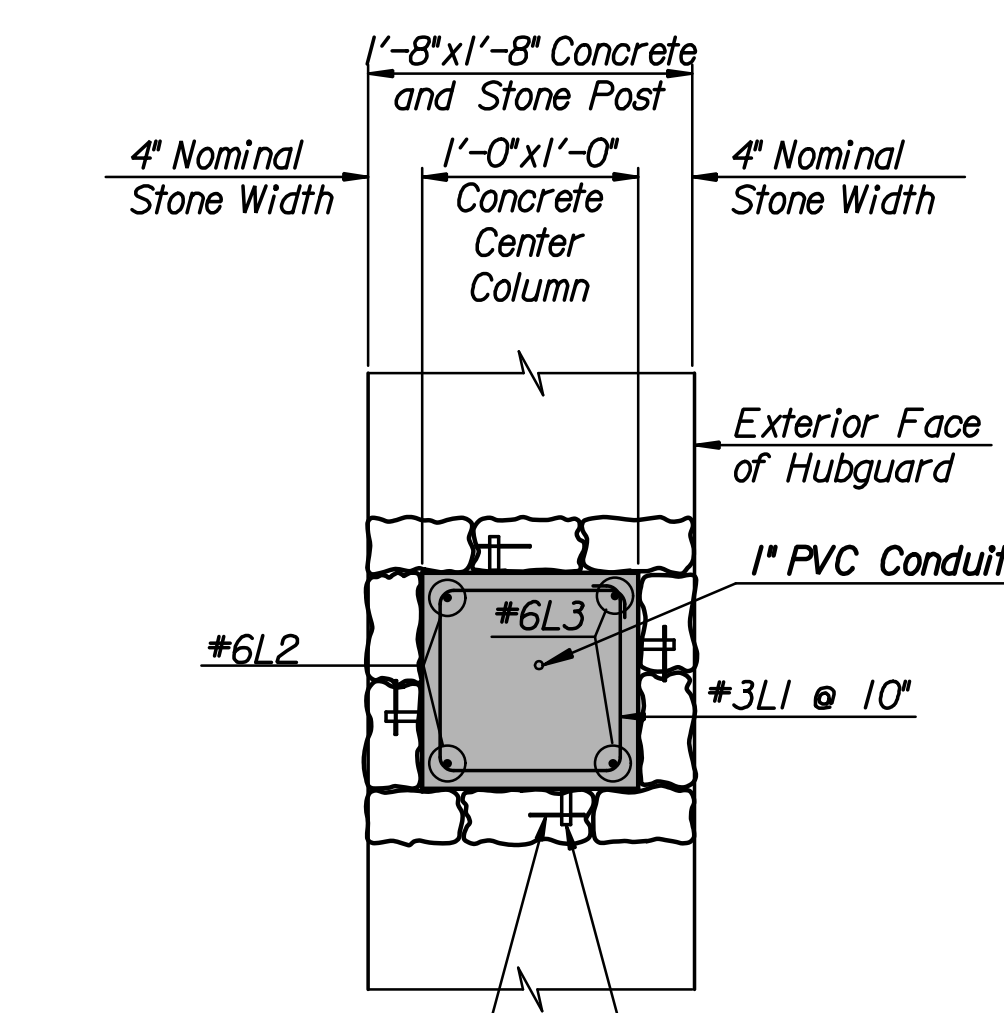
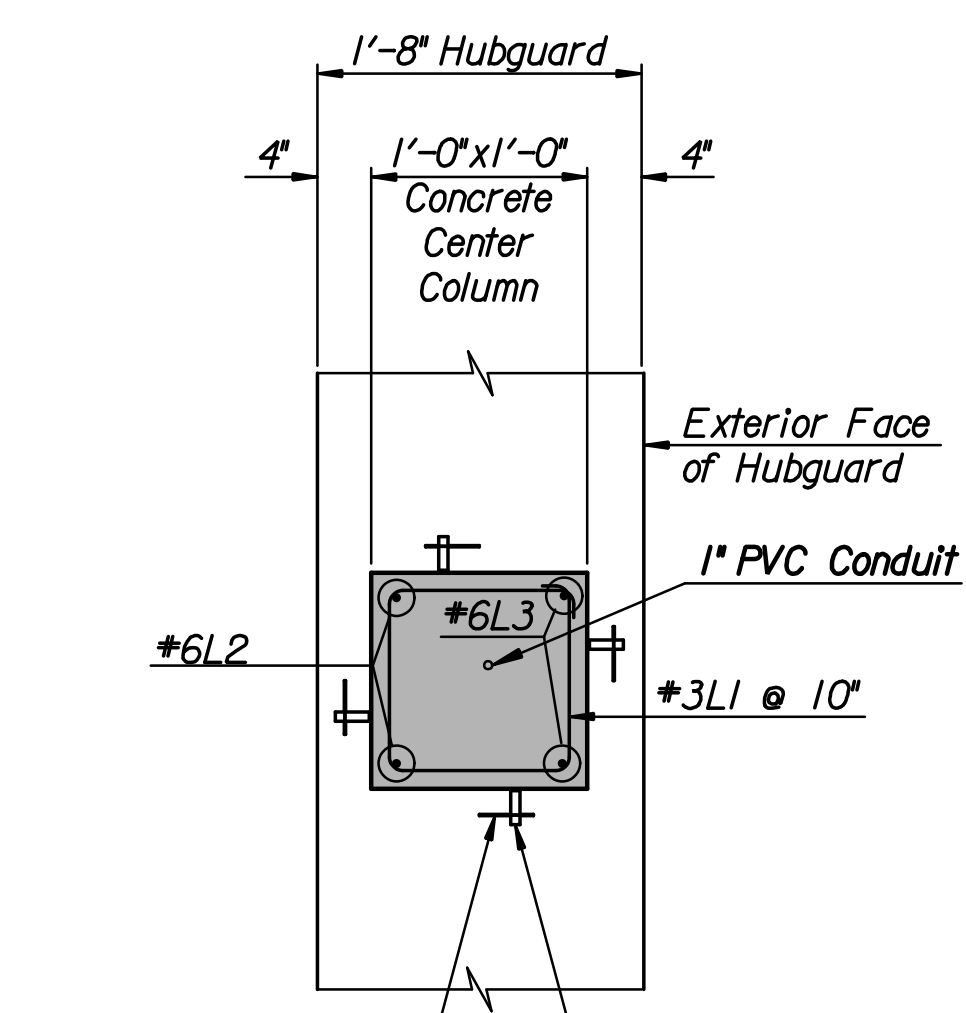


\* - 2'-10" North Hubguard  
2'-10 1/2" South Hubguard

**ELEVATION**

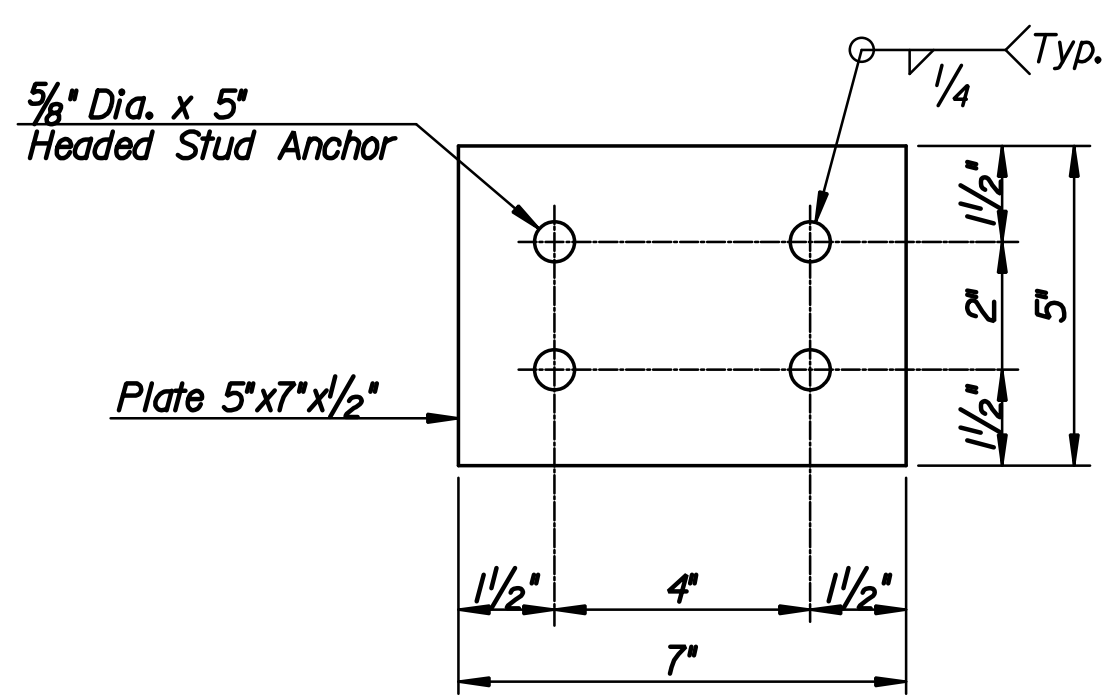
**VIEW B-B**

**DETAIL A**



**SECTION C-C**

**SECTION C-C**



**WELD PLATE**  
(24 Required)

**CAP AND COLUMN NOTES**

Stone Veneer  
 Manufacturer: Sunset Stone  
 Type: Cobble Stone  
 Color: Brown  
 Submittal: Provide a color sample for verification. For reference, the stone is to match the existing Oxford Grand Building stone at 3051 N. Parkdale.

Cap  
 Manufacturer: Sunset Stone  
 Type: Post Cap Flat  
 Color: Brown  
 Size: 24"x24"x2" thickness

Note: Core column cap as necessary for light pole installation.

Post Column Concrete & Reinforcing Steel is included in R.C.B. Quantities. Post Column Reinforcing detailed for 4" Stone.

Post Column Concrete & Reinforcing Steel is included in R.C.B. Quantities. Post Column Reinforcing detailed for 4" Stone.

Stone not shown for clarity.

No.	Revision	By	Date
NEWMARKET OFFICE 2ND-PHASE 2 PAVING AND INCIDENTAL DRAINAGE IMPROVEMENTS <b>PEDESTRIAN RAIL DETAILS</b> GARY JANZEN, P.E. - CITY ENGINEER CITY OF WICHITA PROJECT NO. 472-84991			
		<b>PEC</b> PROFESSIONAL ENGINEERING CONSULTANTS, P.A. 303 SOUTH TOPEKA WICHITA, KS 67202 316-262-2691 www.pec1.com	
Designed by	MLB	Job No.	35-15120-002
Drawn by	MLB	Date	November 2015
			Sht. 24 of 25