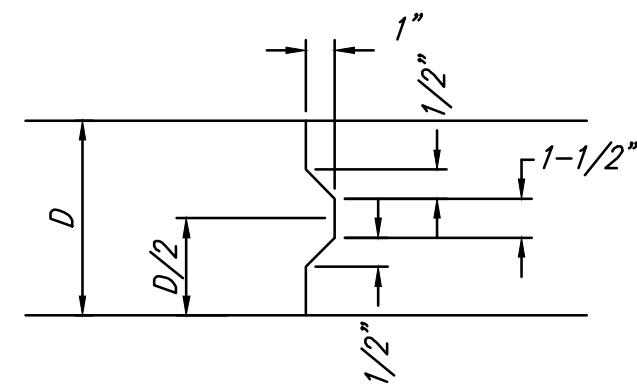
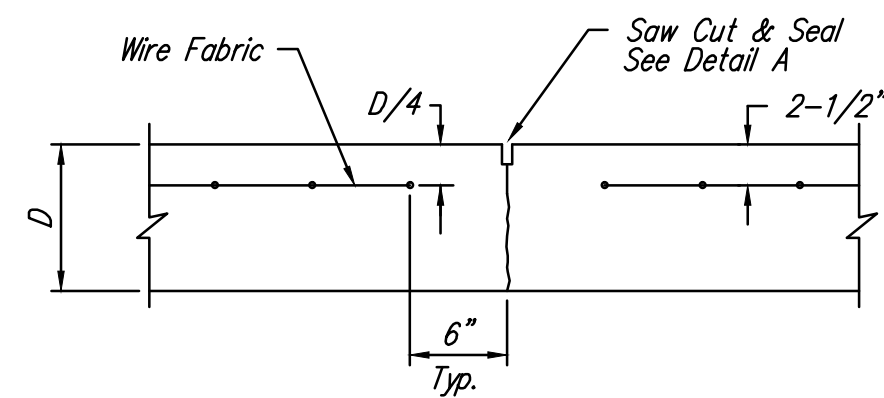


EXPANSION JOINT

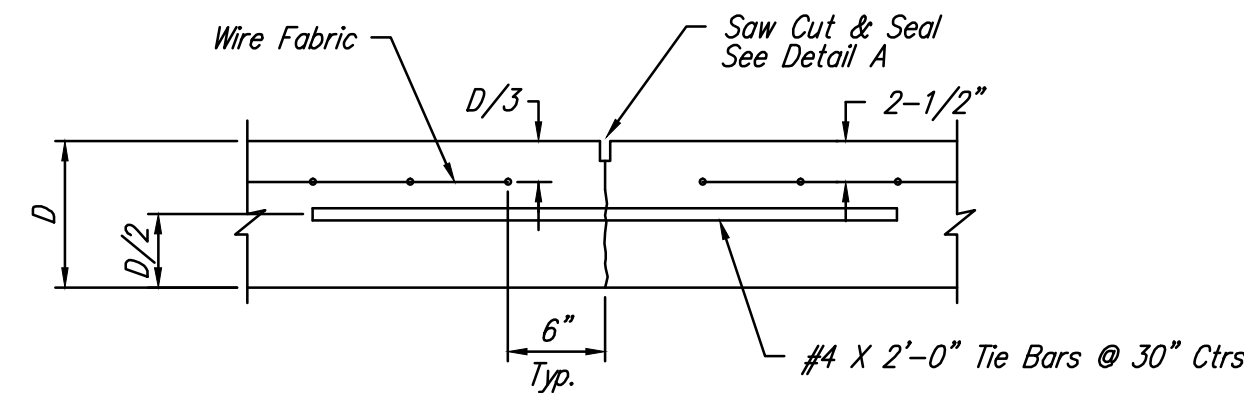
NOTE: Extra Thickness to be Subsidiary to Price of Square Yards Pavement



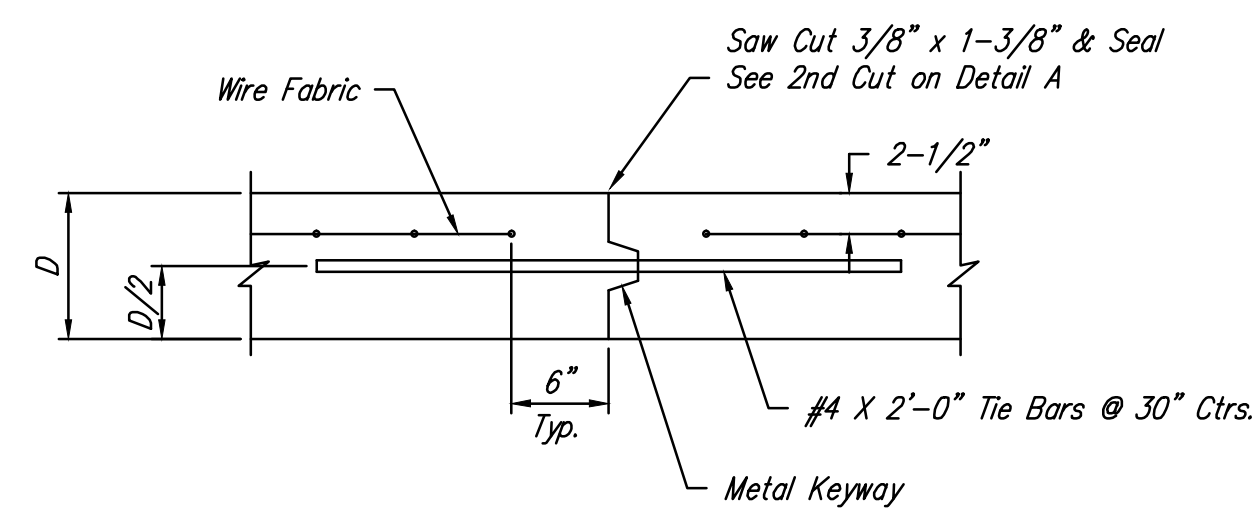
KEYWAY DETAIL



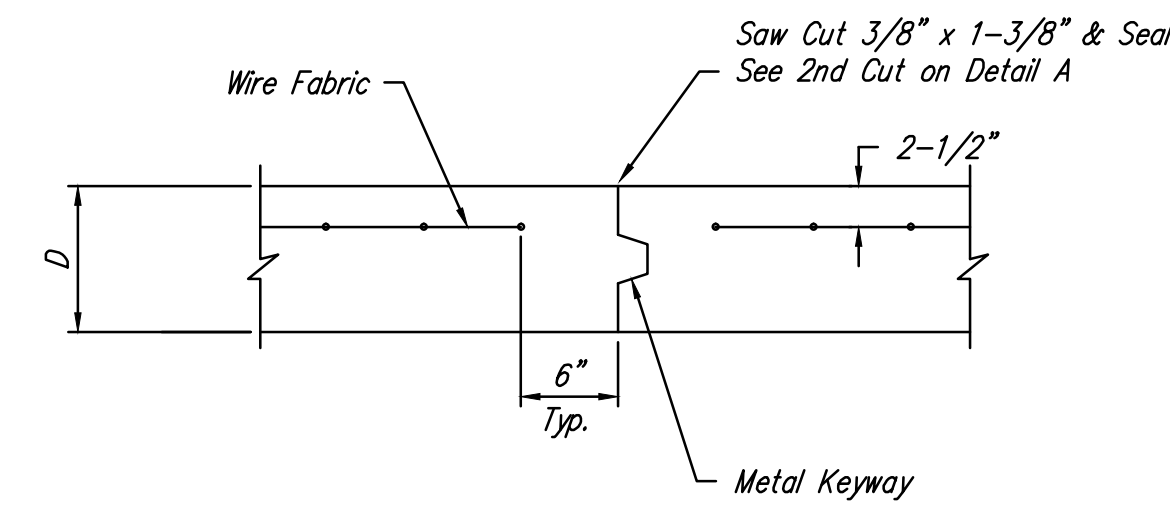
CONTRACTION JOINT DETAIL (C.J.)



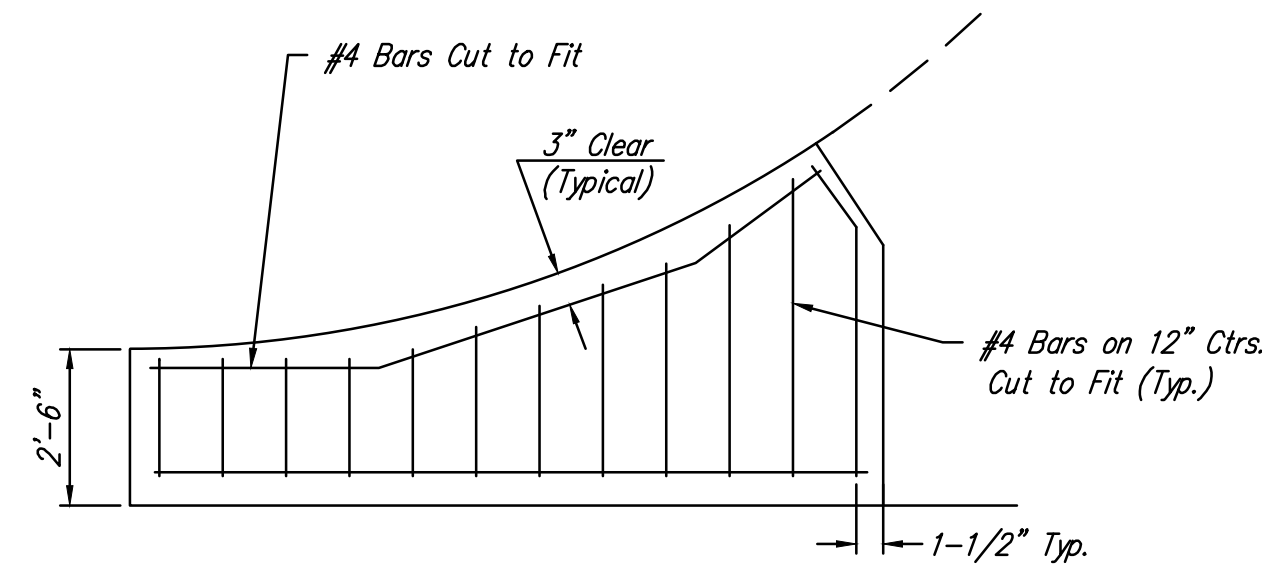
LONGITUDINAL JOINT DETAIL (L.J.)



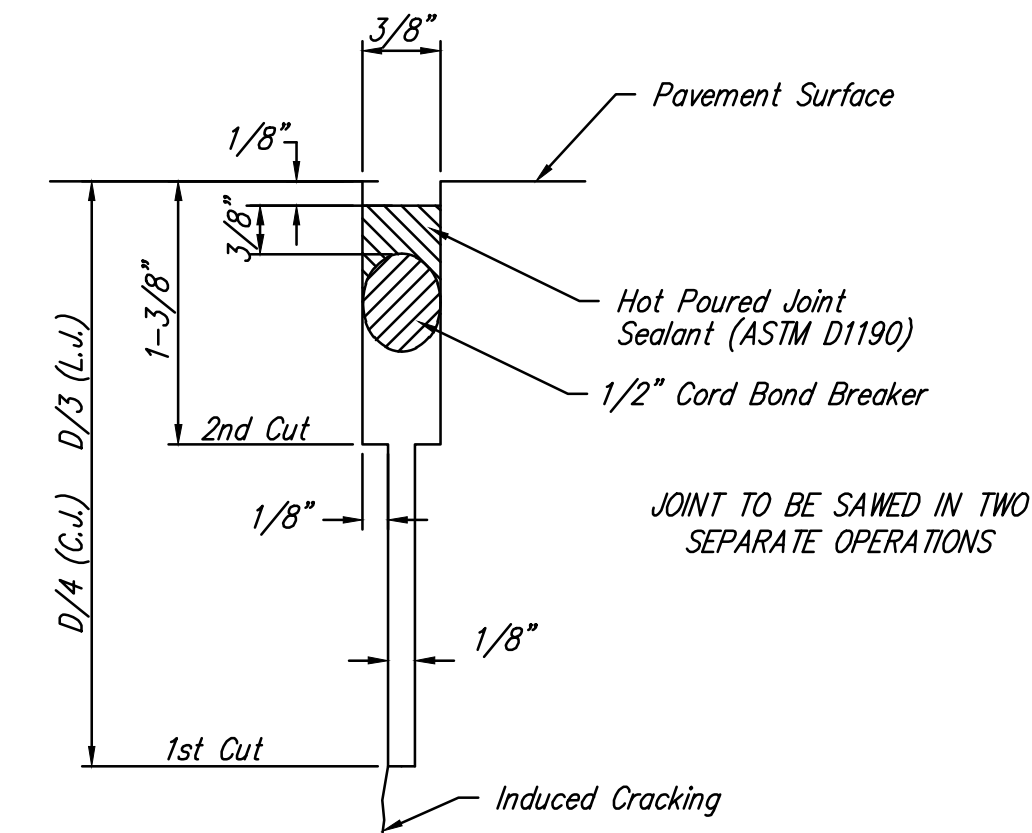
OPTIONAL LONGITUDINAL JOINT DETAIL (L.J.)



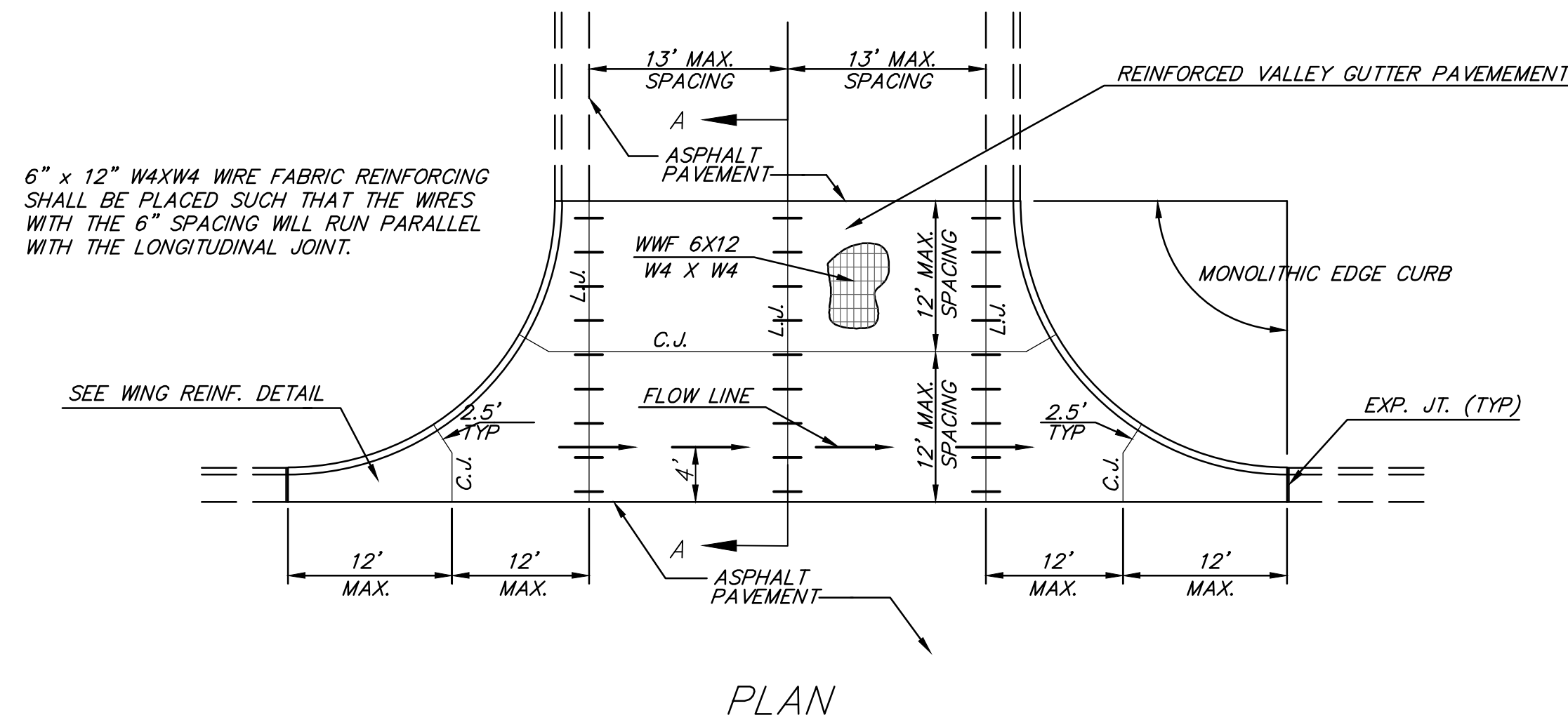
OPTIONAL CONTRACTION JOINT



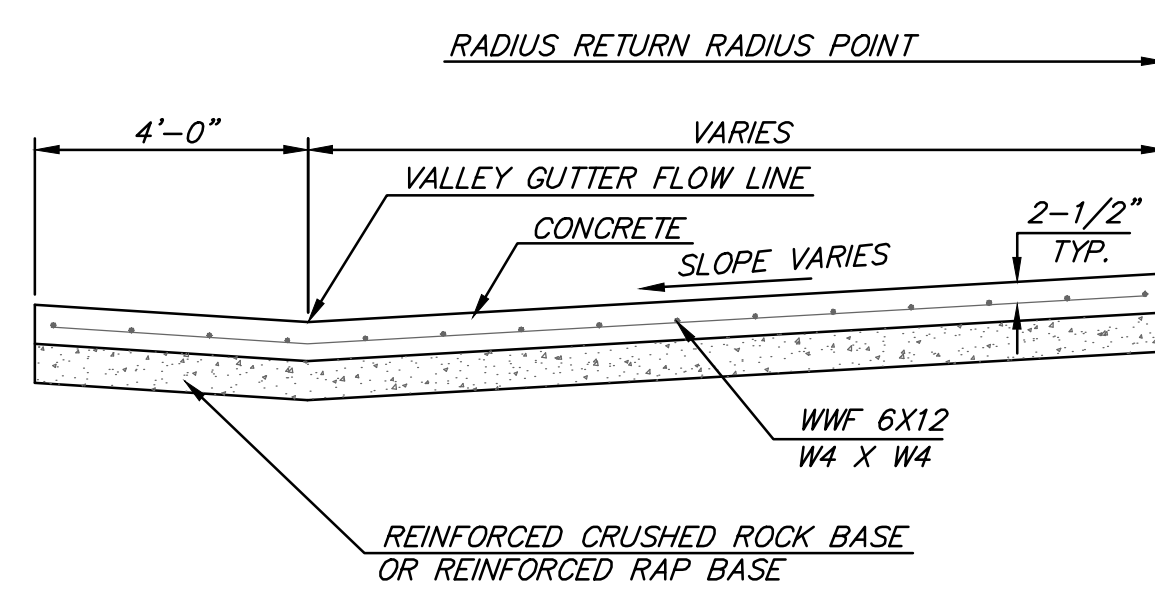
WING REINFORCING DETAIL



SAW JOINT DETAIL



PLAN

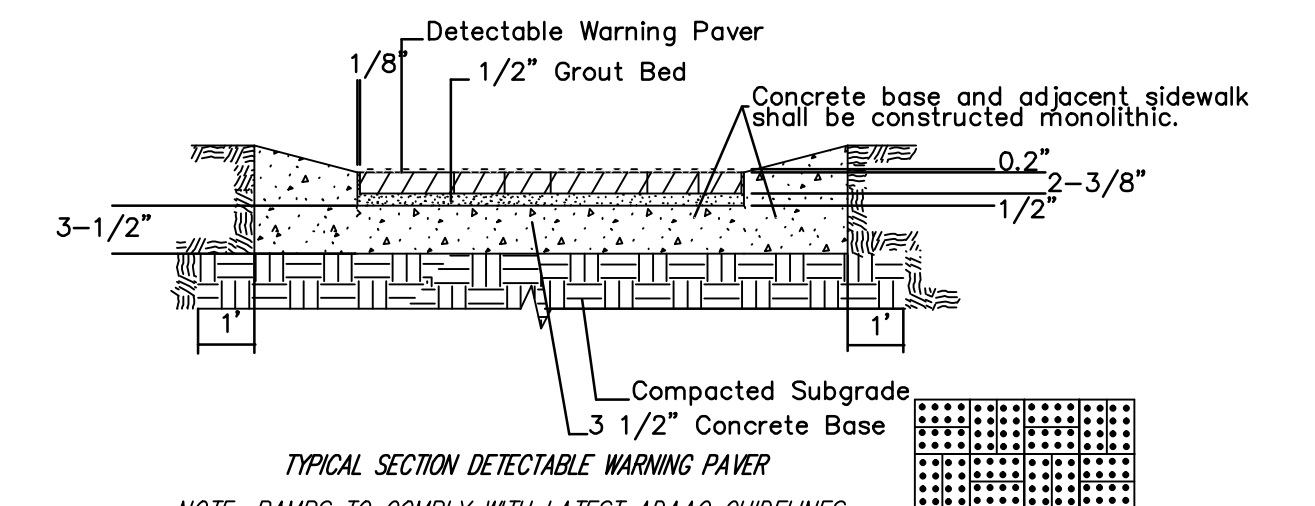
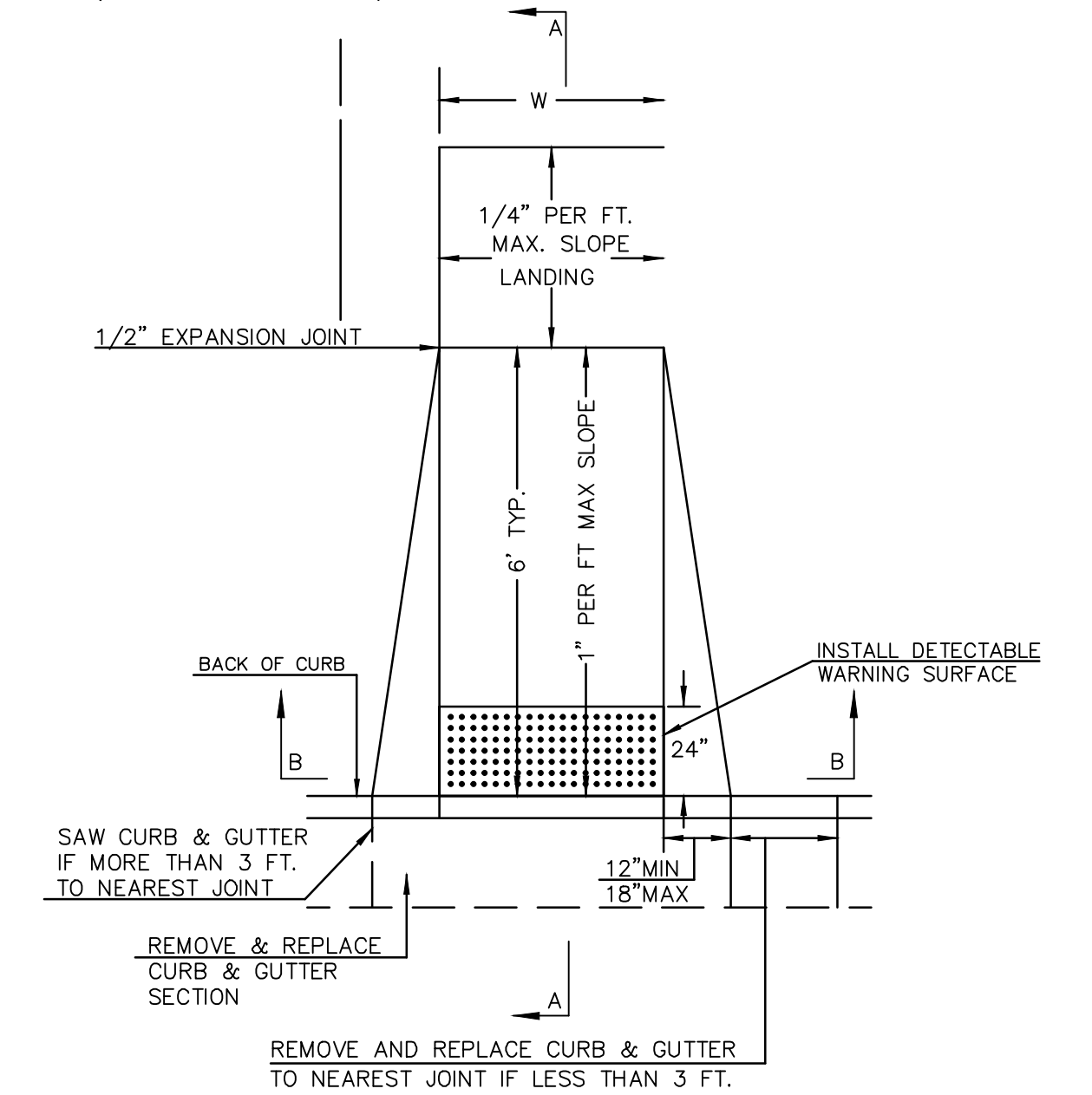


SECTION A-A

REINFORCED VALLEY GUTTER DETAIL

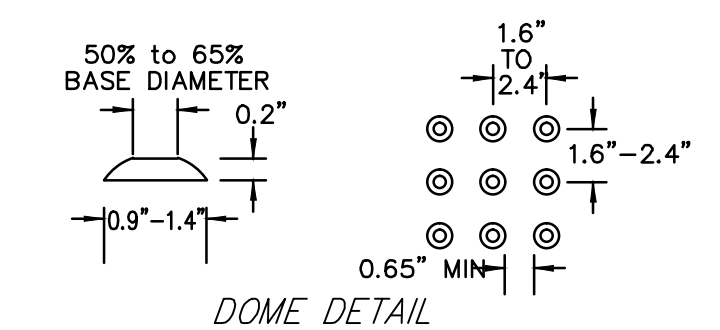
(TYPE A)  
STANDARD WHEELCHAIR RAMP  
WITH DETECTABLE WARNING  
CONSTRUCTION DETAIL FOR STREETS  
WITH COMBINED CURB & GUTTER

W= 4'-0" FOR STANDARD RAMP  
W= 5'-0" FOR RAMPS AT SCHOOL CROSSWALKS  
(OR TO MATCH EXISTING)

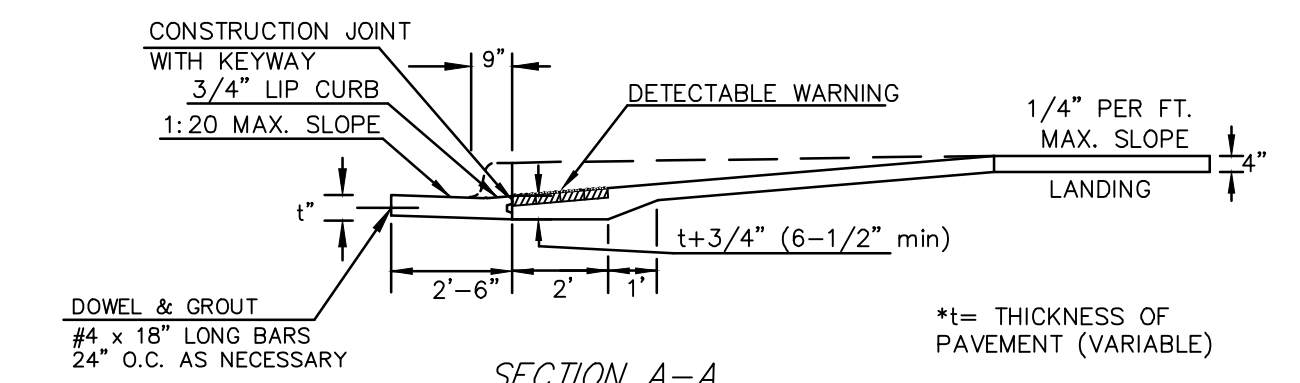


TYPICAL SECTION DETECTABLE WARNING PAVER  
NOTE: RAMPS TO COMPLY WITH LATEST ADAAG GUIDELINES PAVESTONE DETECTABLE WARNING PAVERS (OR AN APPROVED EQUAL) SHALL BE USED IN ALL WHEELCHAIR RAMPS. THE RED PAVER SHALL BE INSTALLED USING A BASKET WEAVE/PARQUET PATTERN. OTHER PATTERNS MAY BE USED WITH APPROVAL OF ENGINEER. SAND FILL JOINTS. ALIGN DOMES IN THE DIRECTION OF PEDESTRIAN TRAVEL.

SECTION B-B



DOMES DETAIL



SECTION A-A

CITY OF WICHITA  
PUBLIC WORKS & UTILITIES ENGINEERING DIVISION

VALLEY GUTTER DETAILS  
WHEELCHAIR RAMP  
DETAILS

CITY ENGINEER GARY JANZEN, P.E.		
PROJECT NUMBER 472-85231	OCA NUMBER 766346	DATE
CITY ENGINEER'S OFFICE CITY HALL - SEVENTH FLOOR 455 NORTH MAIN STREET WICHITA, KANSAS 67202-1620 (316) 268-4501		SHEET 5 34