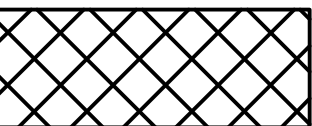
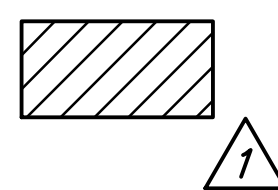
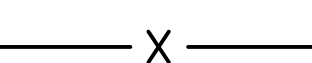




-  MAINTAIN Construction Entrance
-  MAINTAIN Inlet Protection (2 Each)
-  INSTALL Silt Fence (1273 L.F.)
-  INSTALL Curlex Erosion Mat (1684 Sq. Yds.)

Bellechase 3rd Add. Ph. 2			
Erosion Control-Paving			
SEAL	 RUGLES & BOHM <small>ENGINEERING SURVEYING LANDSCAPE ARCHITECTURE GOVERNMENT</small> <small>924 NORTH MAIN WICHITA, KANSAS 67203 P (316) 264-8008 F (316) 264-4621 WWW.RUGLESANDBOHM.COM</small>	DATE 12/14/15	DESIGN EJG DRAWN DS REVIEW .
PROJECT NUMBER 472-85079	RB JOB NO. 4580E	DWG. SCALE ...	SHEET 8
DRAWING FILE 4580E Eng Base [Erosion Control-Paving]			OF 20