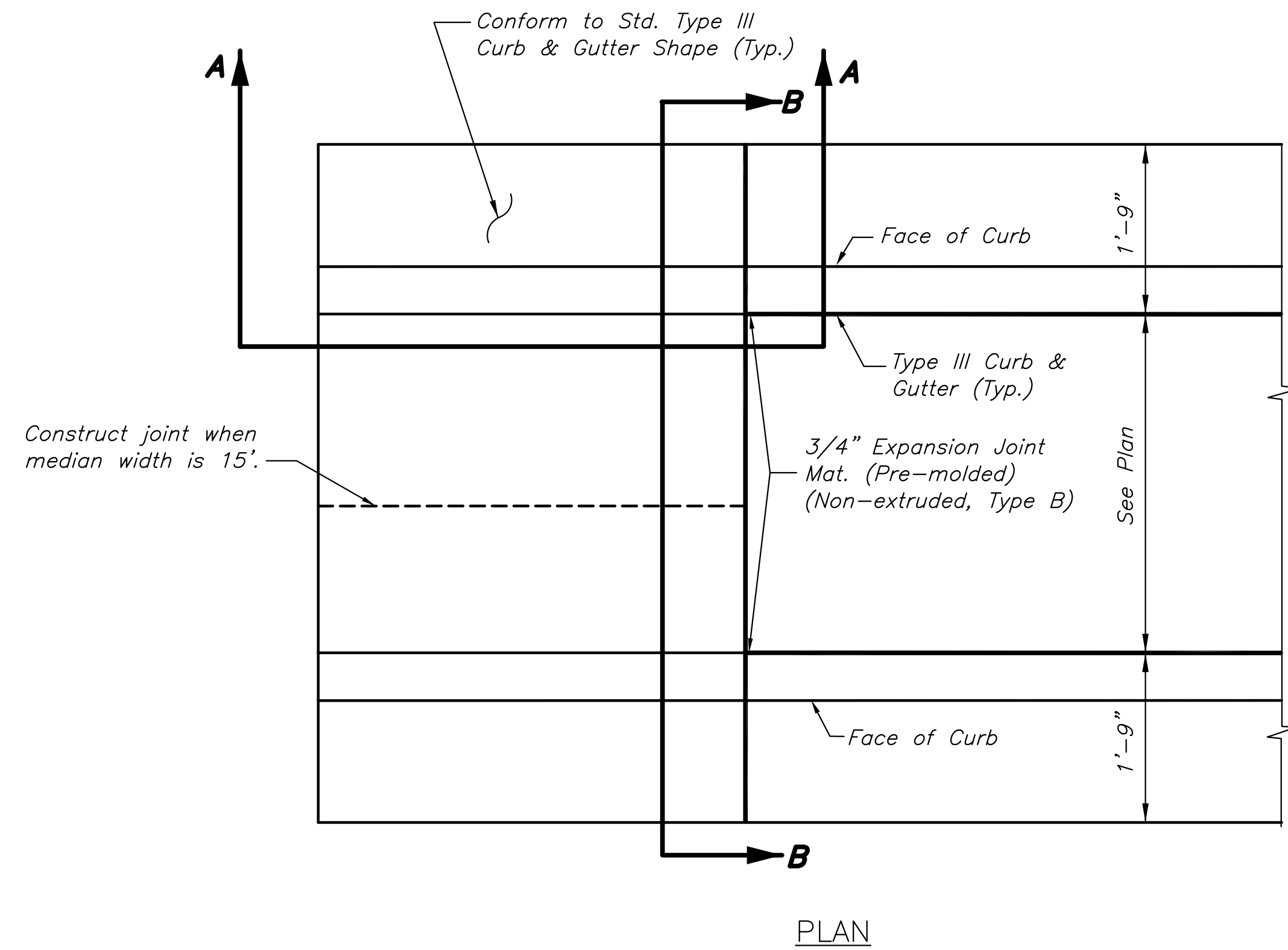


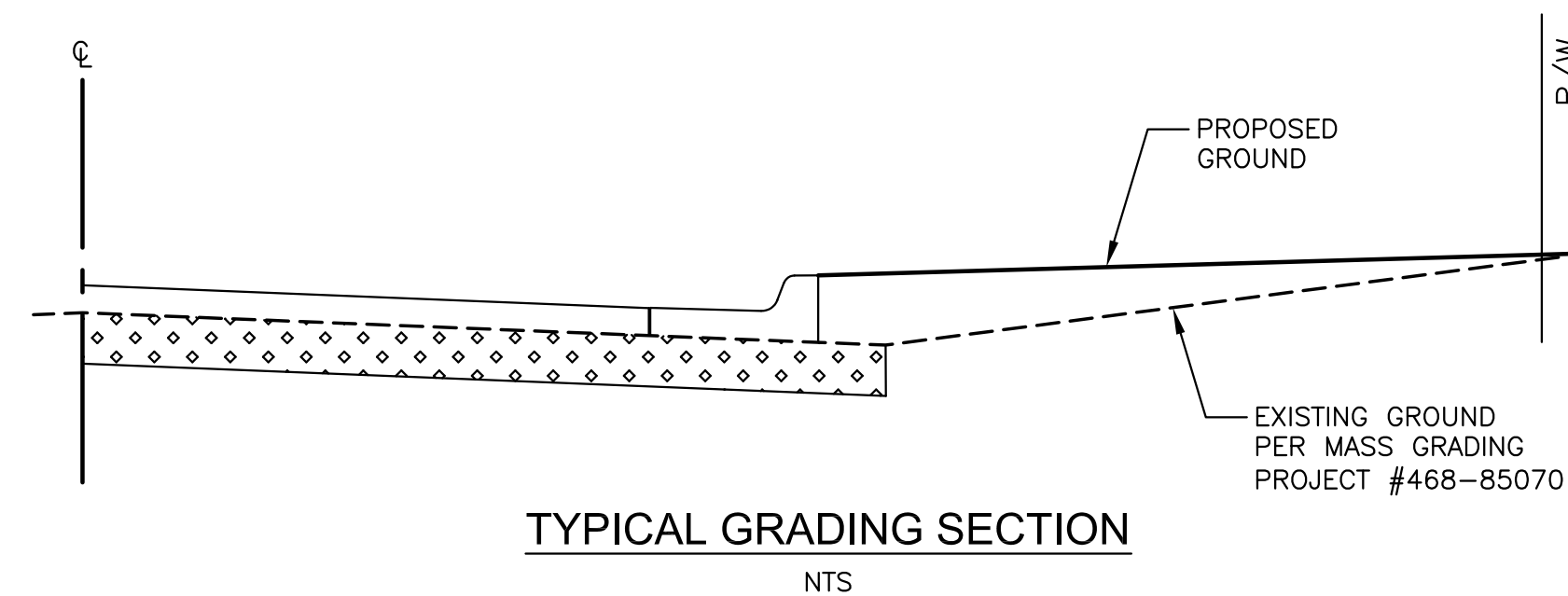
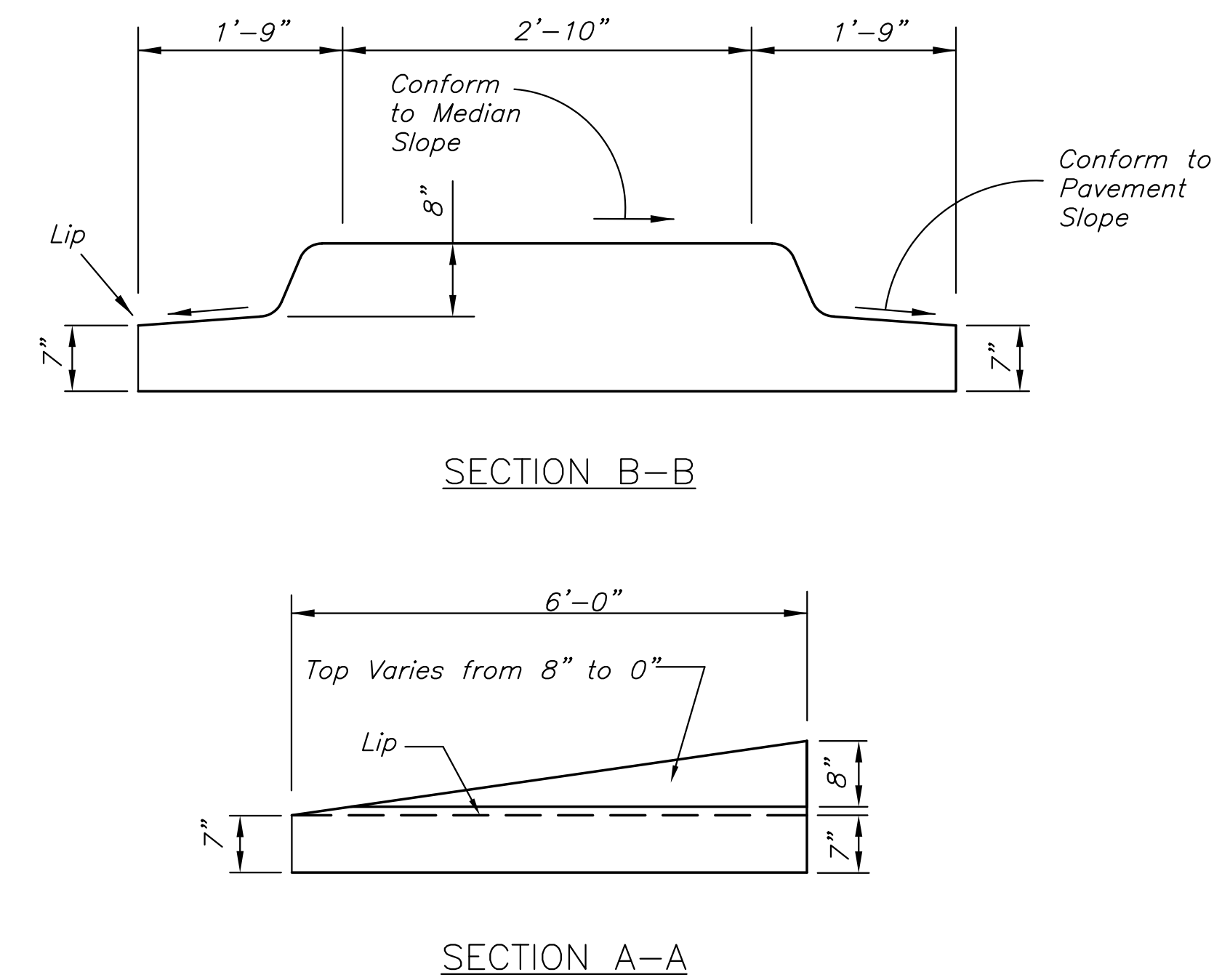
PLOTTED: Wednesday, January 27, 2016 @ 07:58AM

J:\PROJECTS\2014\14010482\_PREMIER\_ESTANCIA\5-CIVIL\CA\PAV\COMMERCIAL\PH114462-MEDIAN NOSE.DWG

PAVING & INCIDENTAL DRAINAGE FOR  
**ESTANCIA COMMERCIAL ADD.**  
PHASE 1



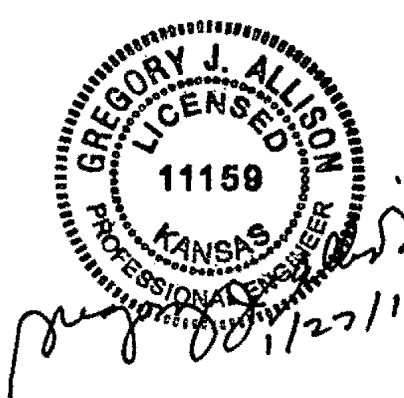
**CONCRETE MEDIAN NOSE**  
NTS



©2016 MKEC Engineering All Rights Reserved www.mkec.com  
These drawings and their contents, including, but not limited to, all concepts, designs, & ideas are the exclusive property of MKEC Engineering (MKEC), and may not be used or reproduced in any way without the express consent of MKEC.

**MISC PAVING DETAILS**

PROJECT NO.	472-85241	
DATE	JAN. 2016	
SCALE	NTS	
DESIGNED	DRAWN	CHECKED
DFL	JWC	GJA



NO.	REVISION	DATE
-----	----------	------