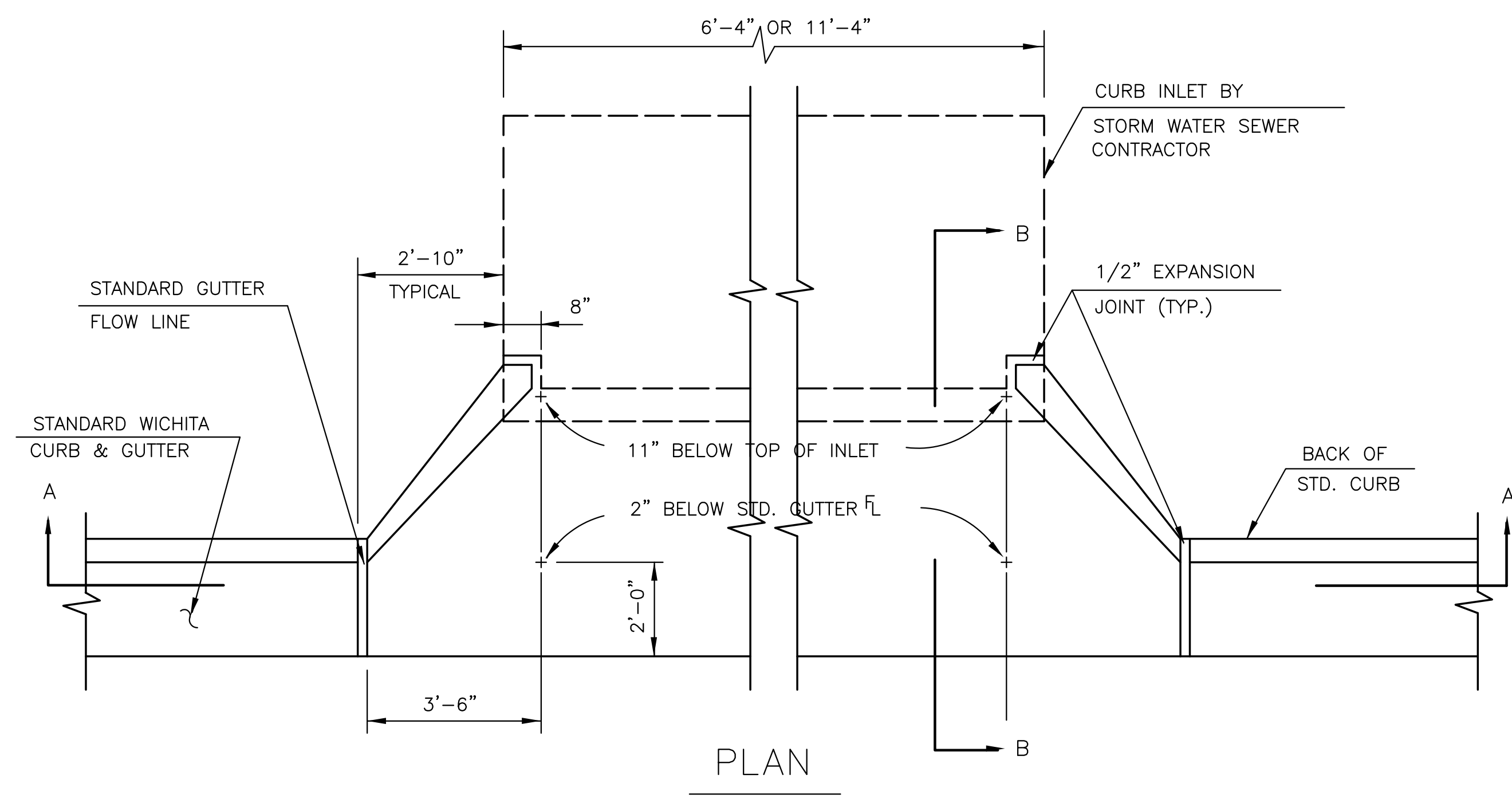


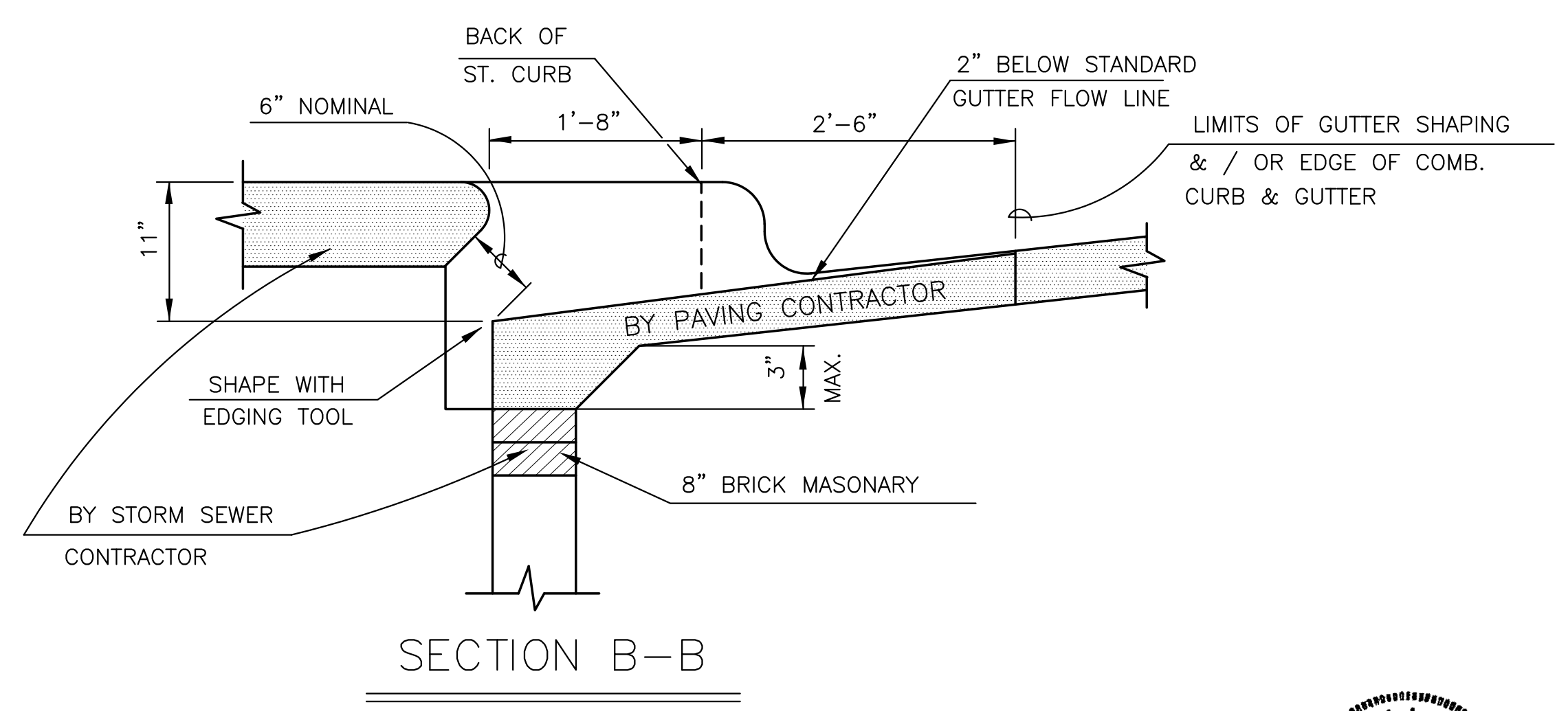
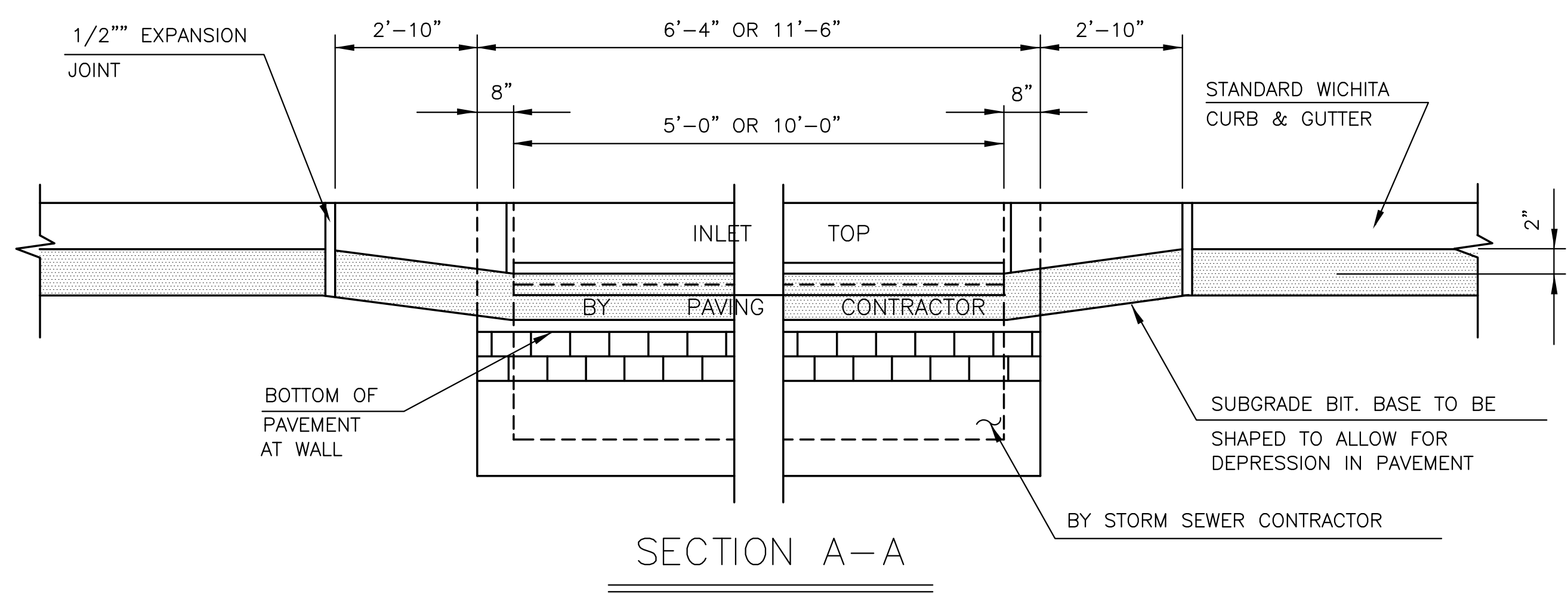
PLOTTED: Wednesday, January 27, 2016 @ 08:31AM

J:\PROJECTS\2014\14010482_PREMIER_ESTANCIA\5-CIVIL\CA\PAV\COMMERCIAL\PH1\1462-HOOKUP.DWG



GENERAL NOTES

1. USE THE CONCRETE MIX SPECIFIED FOR CITY OF WICHITA CONCRETE PAVEMENT. ALL EXPOSED EDGES SHALL BE FINISHED WITH AN EDGING TOOL.
2. TYPE 1A INLET HOOKUP WILL BE PAID EACH REGARDLESS OF SIZE.
3. ADDITIONAL CURB & GUTTER CONSTRUCTION NECESSARY TO CONNECT SET BACK INLET TO PAVEMENT WILL BE PAID FOR AT THE UNIT PRICE BID FOR EACH INLET



TYPE 1A INLET HOOKUP
(BY PAVING CONTRACTOR)

GREGORY J. ALLISON
LICENSED PROFESSIONAL ENGINEER
KANSAS
11158
01/27/16

©2016 MKEC Engineering All Rights Reserved www.mkec.com
These drawings and their contents, including, but not limited to, all concepts, designs, & ideas are the exclusive property of MKEC Engineering (MKEC), and may not be used or reproduced in any way without the express consent of MKEC.

INLET HOOKUP DETAIL

PROJECT NO.	472-85241
DATE	JAN. 2016
SCALE	NTS
DESIGNED	DFL
DRAWN	JWC
CHECKED	GJA

NO.	REVISION	DATE

SHEET NO.