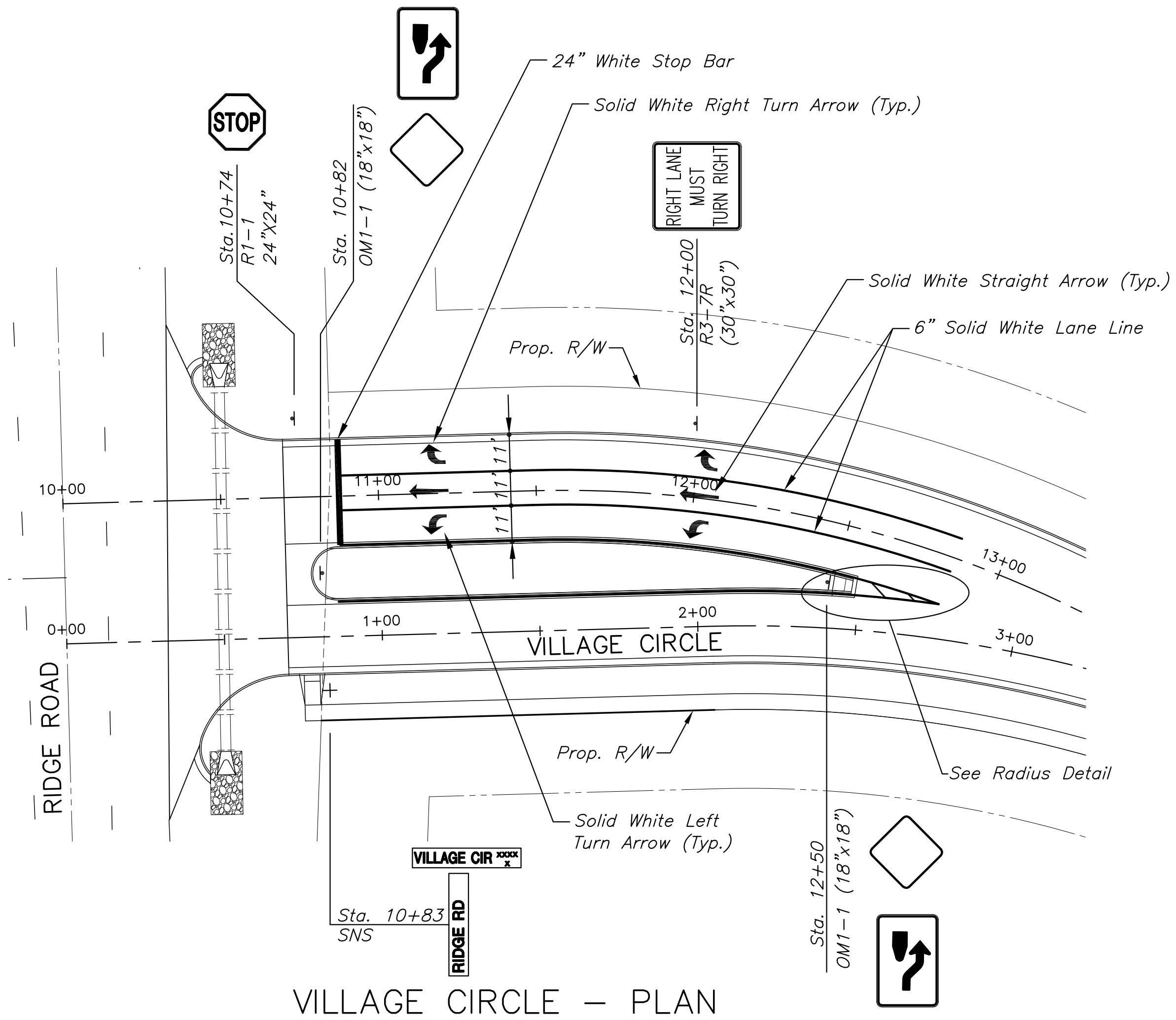
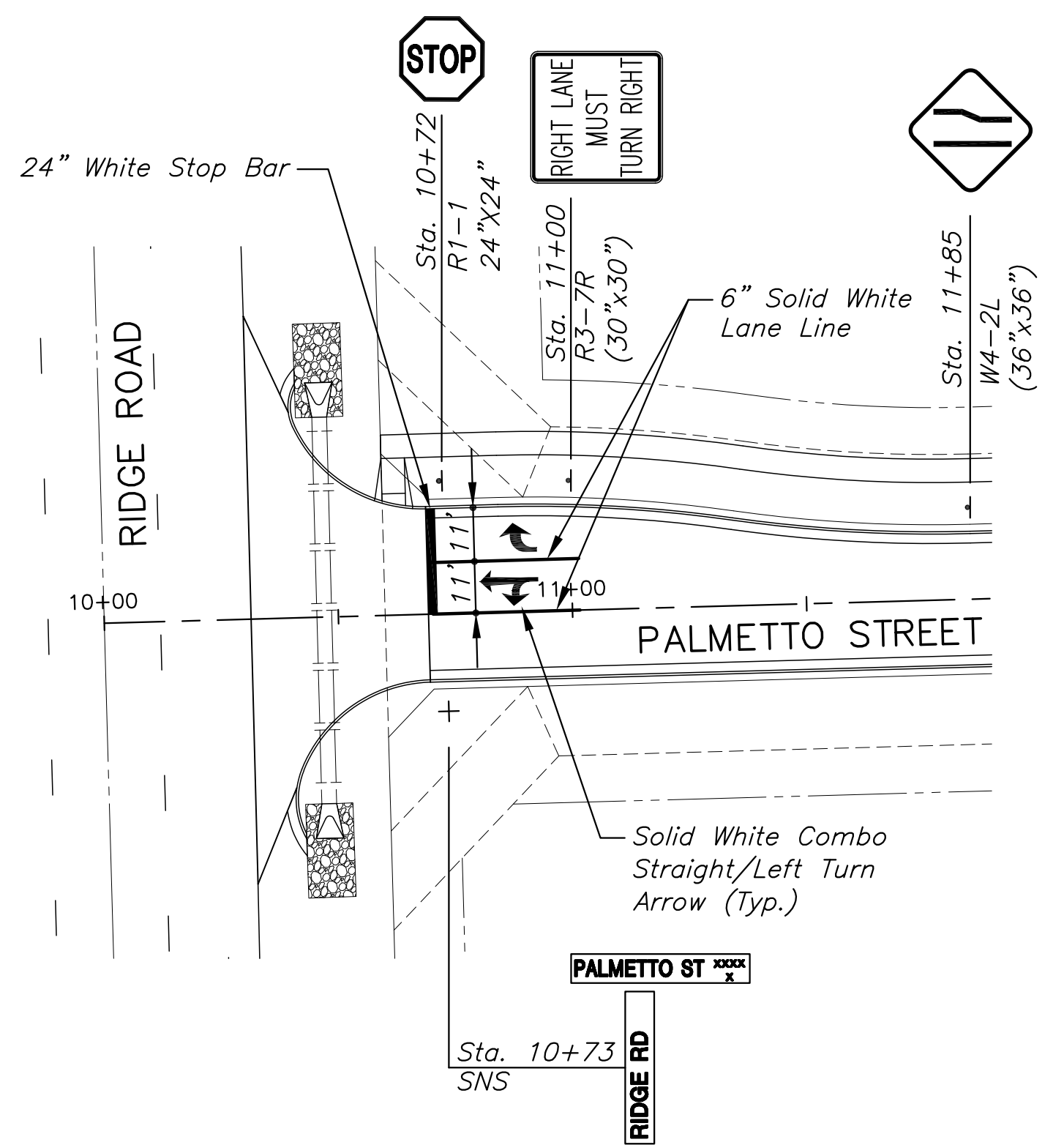


PLOTED: Wednesday, January 27, 2016 @ 08:46AM

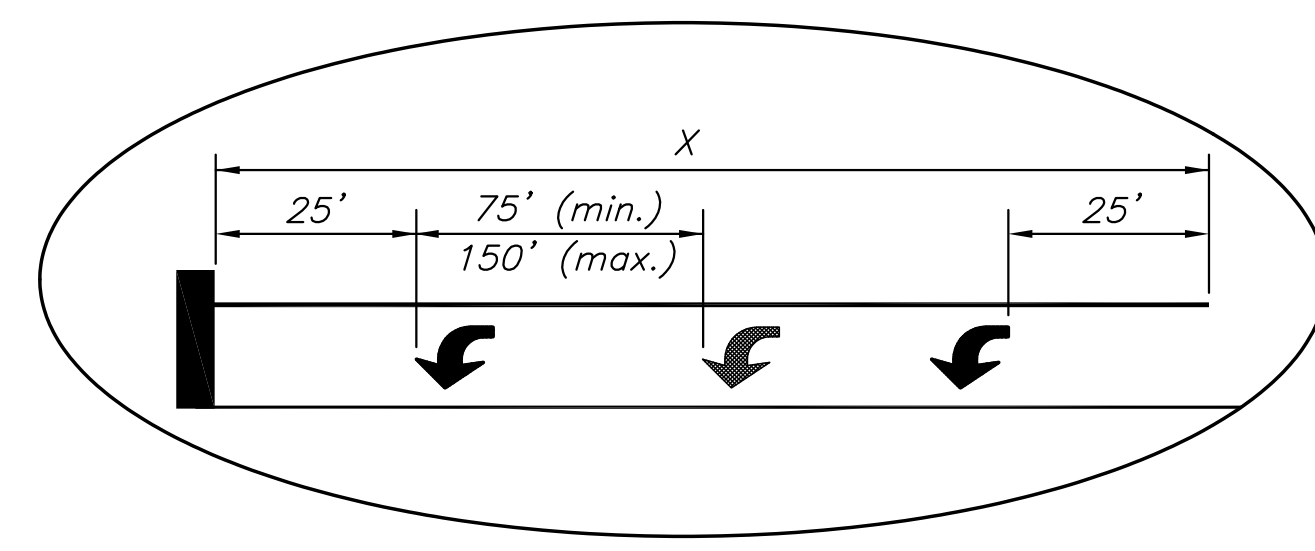
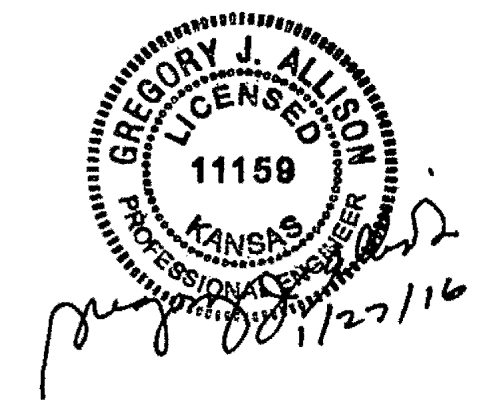
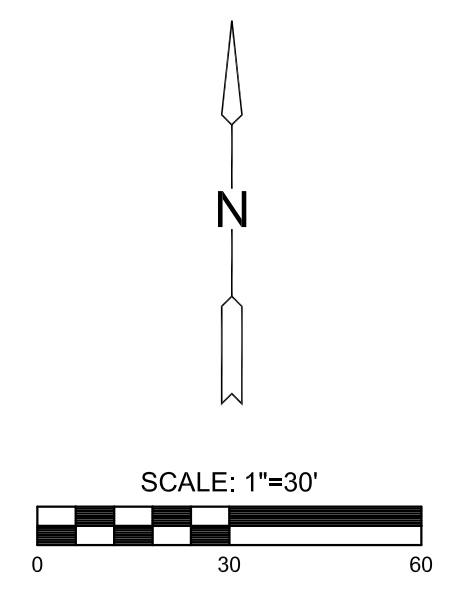
J:\PROJECTS\2014\14010482_PREMIER_ESTANCIA\5-CIVIL\CA\PAV\COMMERCIAL\PH114462\COM1_EPR-65.DWG



VILLAGE CIRCLE - PLAN

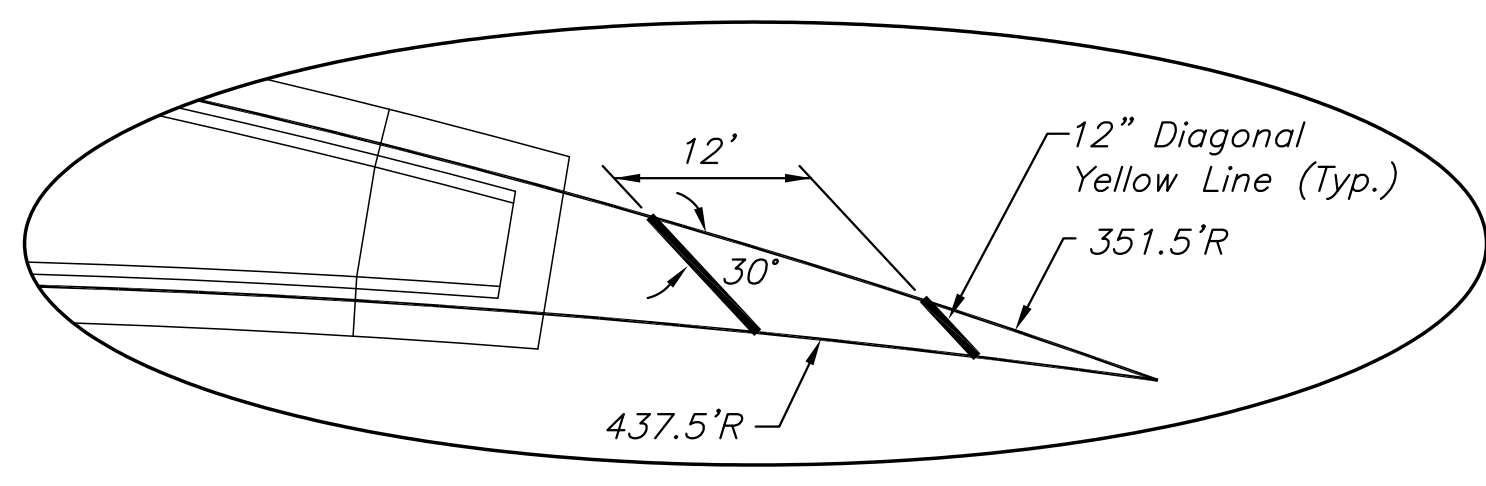


PALMETTO STREET - PLAN



TYPICAL ARROW SPACING DETAIL

NOTE: Add a third arrow equidistant between the other two arrows only when X is greater than 200'.



RADIUS DETAIL

NOTE: Existing Pavement Marking removed for temporary traffic control purposes shall be Replaced, in-kind on 37th Street, Maize Road and Tyler Road. Quantities for this are reflected in the Summary of Quantities. 660 L.F. of 6" White Marking is anticipated.

Pavement Markings - All pavement markings shall be thermoplastic, unless otherwise approved by the Engineer. Pavement markings shall be installed per manufacturer's recommendations and shall meet KDOT's 2007 Edition of the Standard Specification Section 806. Full traffic may not be restored (and substantial project completion achieved) until all pavement markings are in place. Should construction timing be such that restoration of traffic becomes necessary during temperatures prohibiting the installation of thermoplastic markings, the contractor shall install and maintain temporary markings until such time that thermoplastic markings may be properly installed. Except for the material requirement, temporary pavement markings shall be placed equivalent, in every manner (i.e. dimension, frequency, spacing, etc.), to the permanent marking layout. The cost for temporary pavement markings will not be paid for directly, but shall be considered subsidiary to the bid item for "Pavement Markings".

SUMMARY OF QUANTITIES (FOR INFORMATION ONLY)		
ITEMS	QUANTITY	UNIT
Pavement Marking (White)(6")	510	L.F.
Pavement Marking (White)(24")	58	L.F.
Pavement Marking (Yellow)(12")	10	L.F.
Pavement Marking Symbol (Straight)	2	Each
Pavement Marking Symbol (Combo Straight/Left Turn)	1	Each
Pavement Marking Symbol (Left Turn)	2	Each
Pavement Marking Symbol (Right Turn)	3	Each

RECAPITULATION OF QUANTITIES		
BID ITEM	QUANTITY	UNIT
Pavement Marking	1	L.S.



PROJECT TYPE
ESTANCIA COMMERCIAL ADD.
PHASE 1

©2016 MKEC Engineering All Rights Reserved www.mkec.com
These drawings and their contents, including, but not limited to, all concepts, designs, & ideas are the exclusive property of MKEC Engineering (MKEC), and may not be used or reproduced in any way without the express consent of MKEC.

PAVEMENT MARKING & SIGNING PLAN

PROJECT NO.	472-85241
DATE	JAN. 2016
SCALE	1" = 30'
DESIGNED	DFL
DRAWN	JWC
CHECKED	GJA

NO.	REVISION	DATE

SHEET NO.