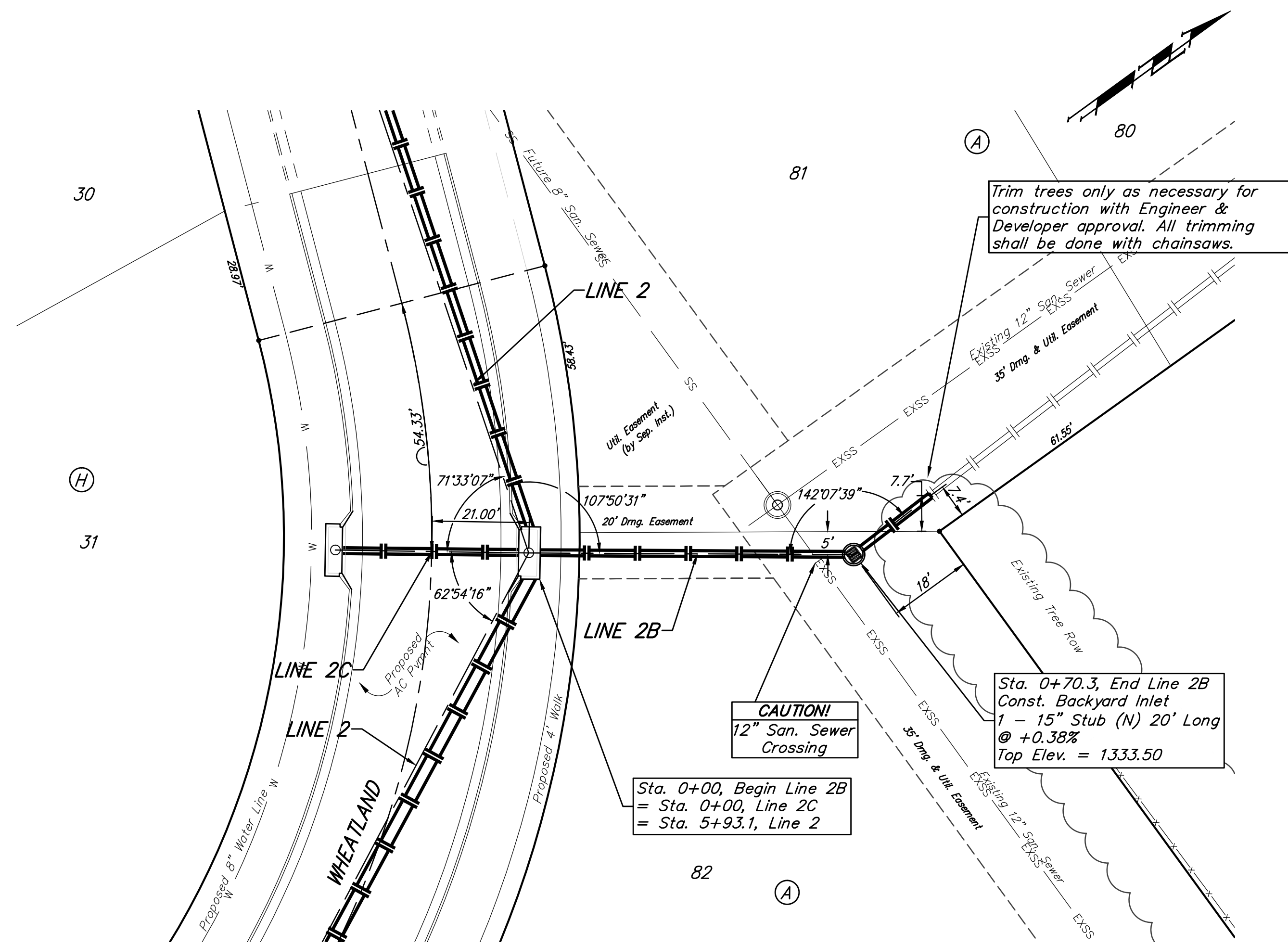
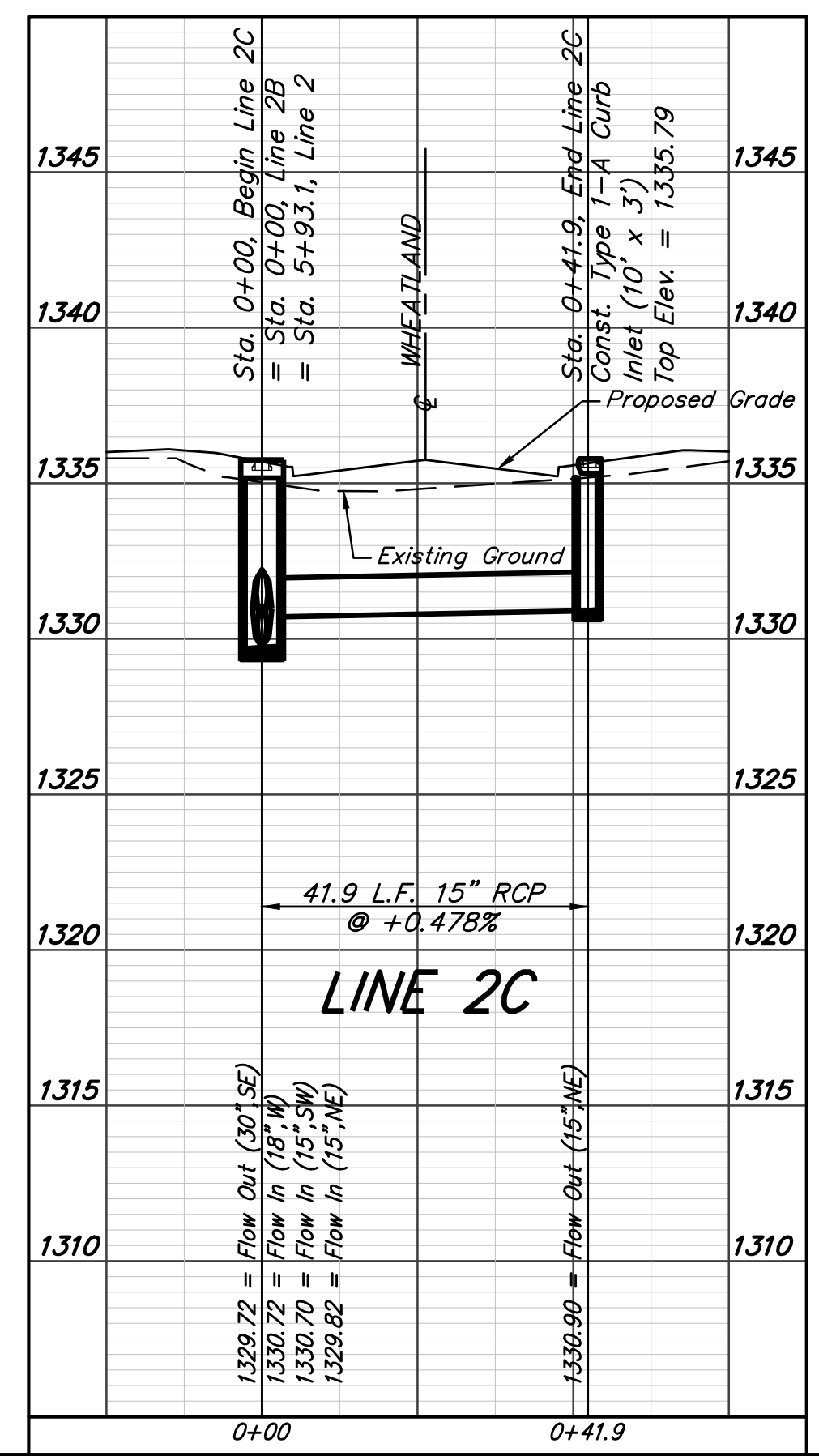
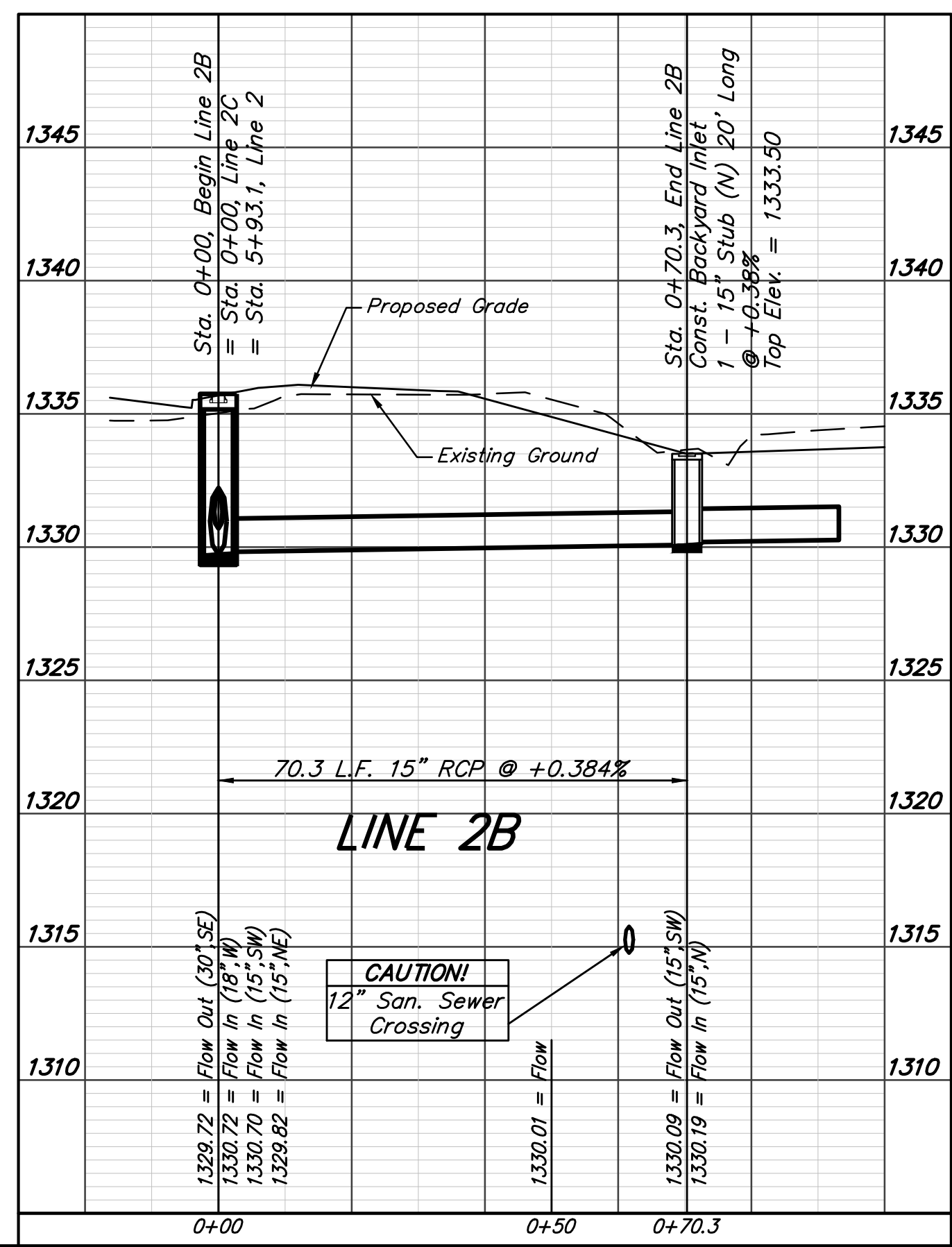
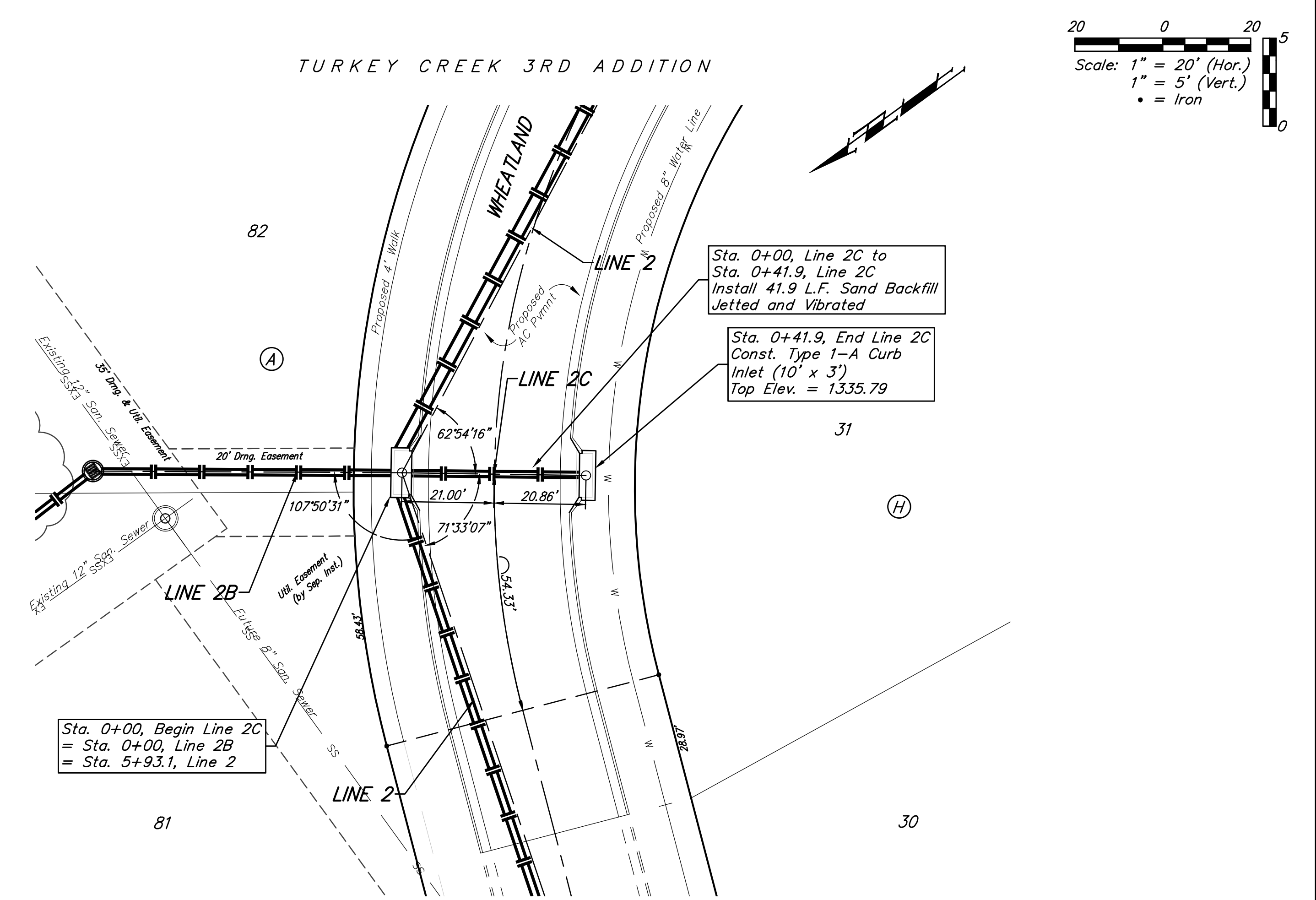


BENCHMARKS:
 BM #1: "□" Top of Curb NE of the most easterly corner of Lot 28, Block E, Falcon Falls 2nd Addition
 Elev. = 1361.23 (NGVD29)
 BM #2: "□" Top of Curb North of the NE corner of Lot 2, Block D, Falcon Falls 3rd Addition
 Elev. = 1351.76 (NGVD29)



TURKEY CREEK 3RD ADDITION



Baughman Turkey Creek 3rd Addition - Phase 3A
LINE 2B & LINE 2C
 Storm Water Sewer Improvements

Baughman Company, P.A. 315 Ellis St. Wichita, KS 67211 P 316-262-7271 F 316-262-0149
 ENGINEERING | SURVEYING | PLANNING | LANDSCAPE ARCHITECTURE

PROJECT NUMBER 472-84488	DESIGN AEG	DRAWN JAK
REVISIONS:	APPROVED	DATE 1/26/16
	SCALE Noted	SHEET 16 OF 38

E:\Projects\Turkey Creek 3rd\Engineering\Phase 3A\Str_1505E249\SWS Plans.dwg