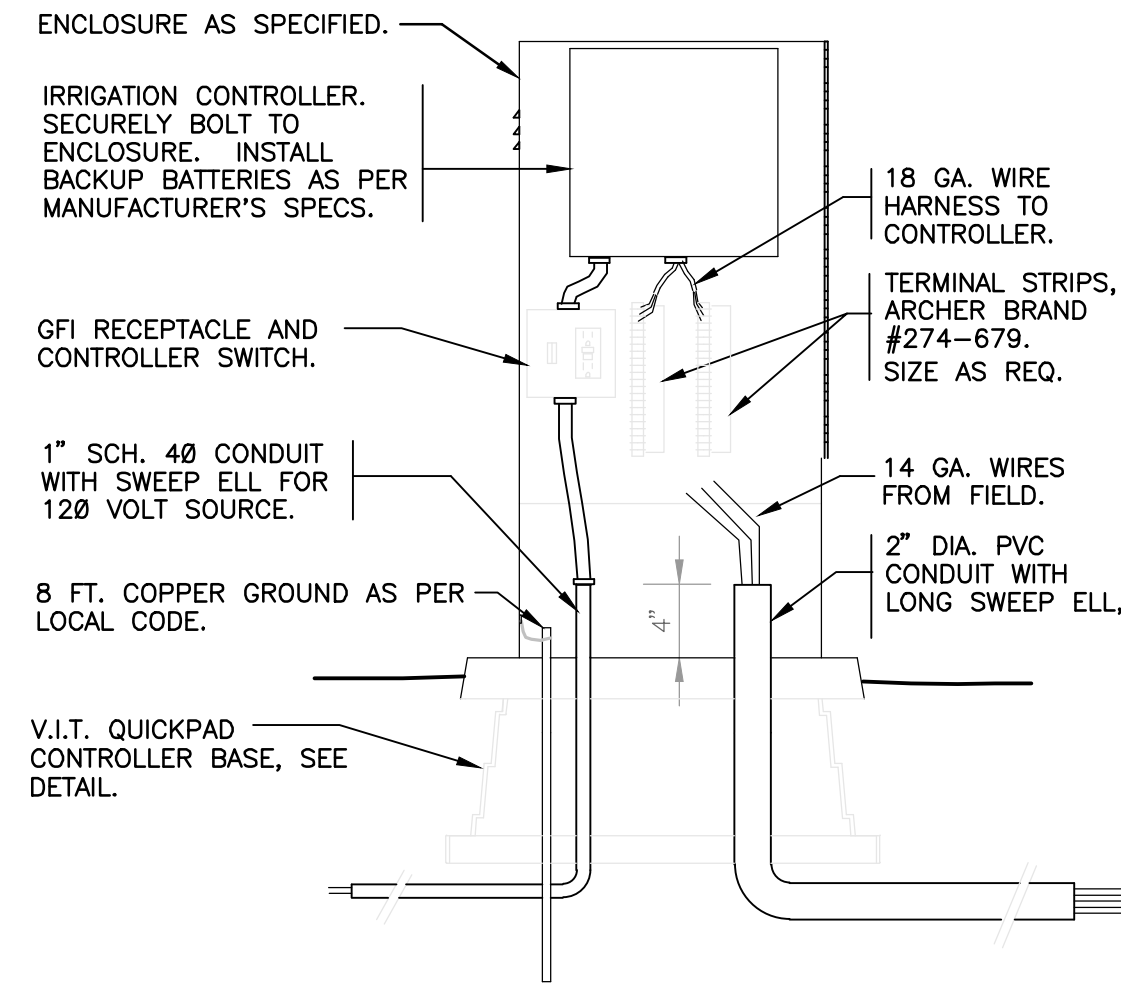


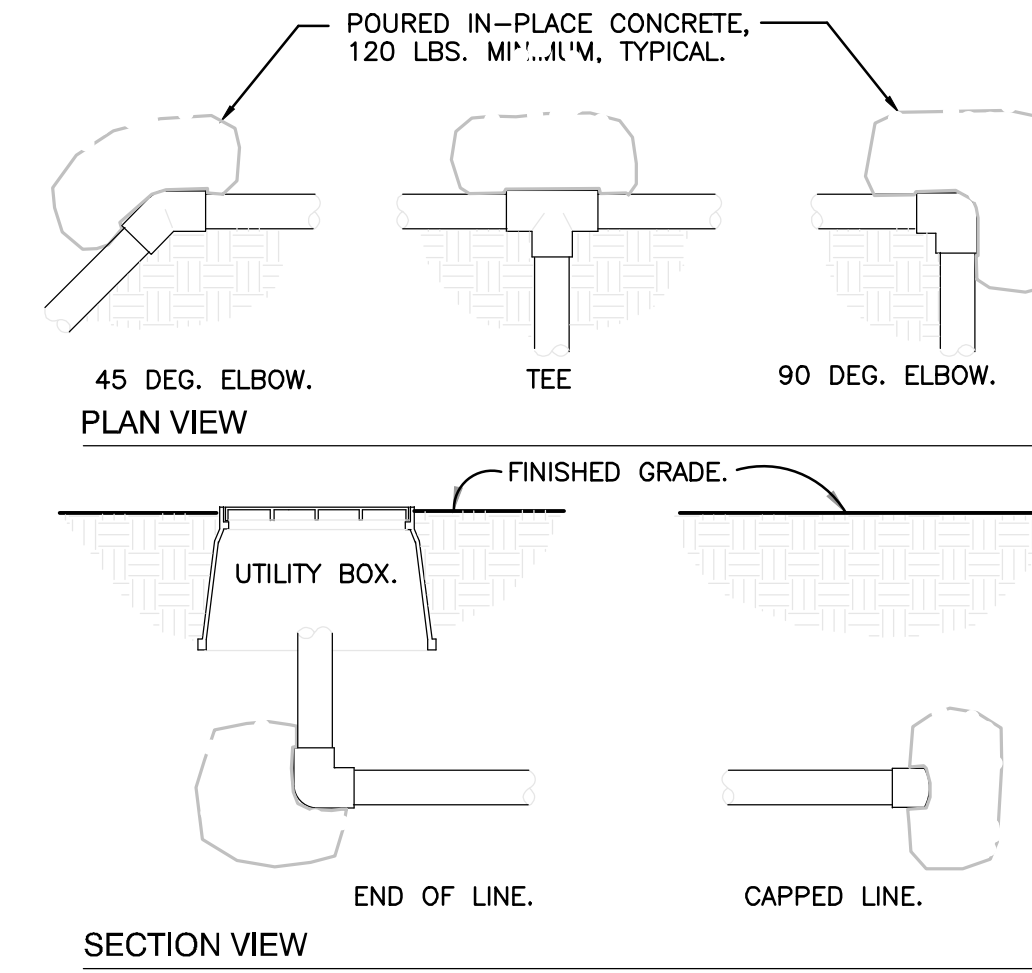
1 RP BACKFLOW W/ENCLOSURE

1" = 1'-0" 328409.46-03



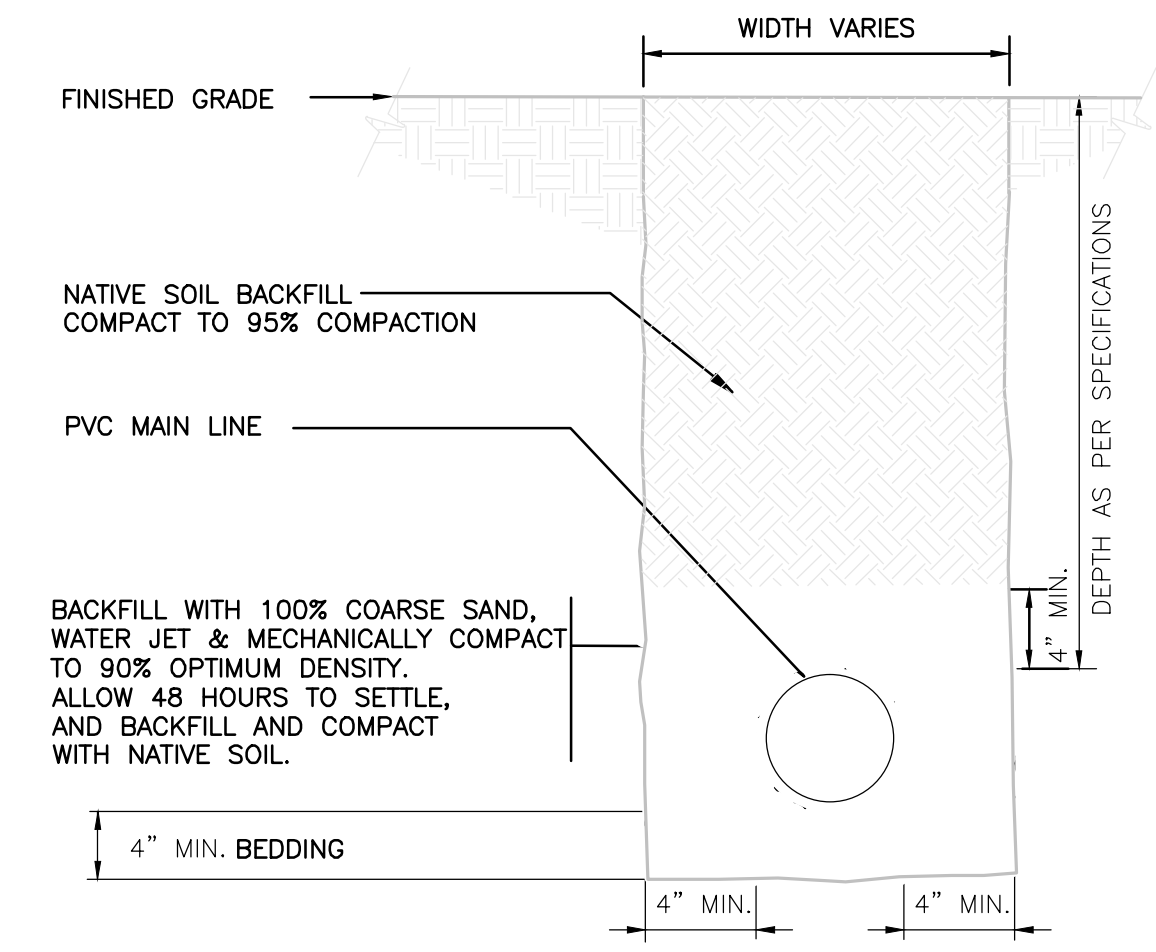
2 PEDESTAL MOUNT CONTROLLER W/ VIT BASE

N.T.S. FX-IR-FX-CONT-03



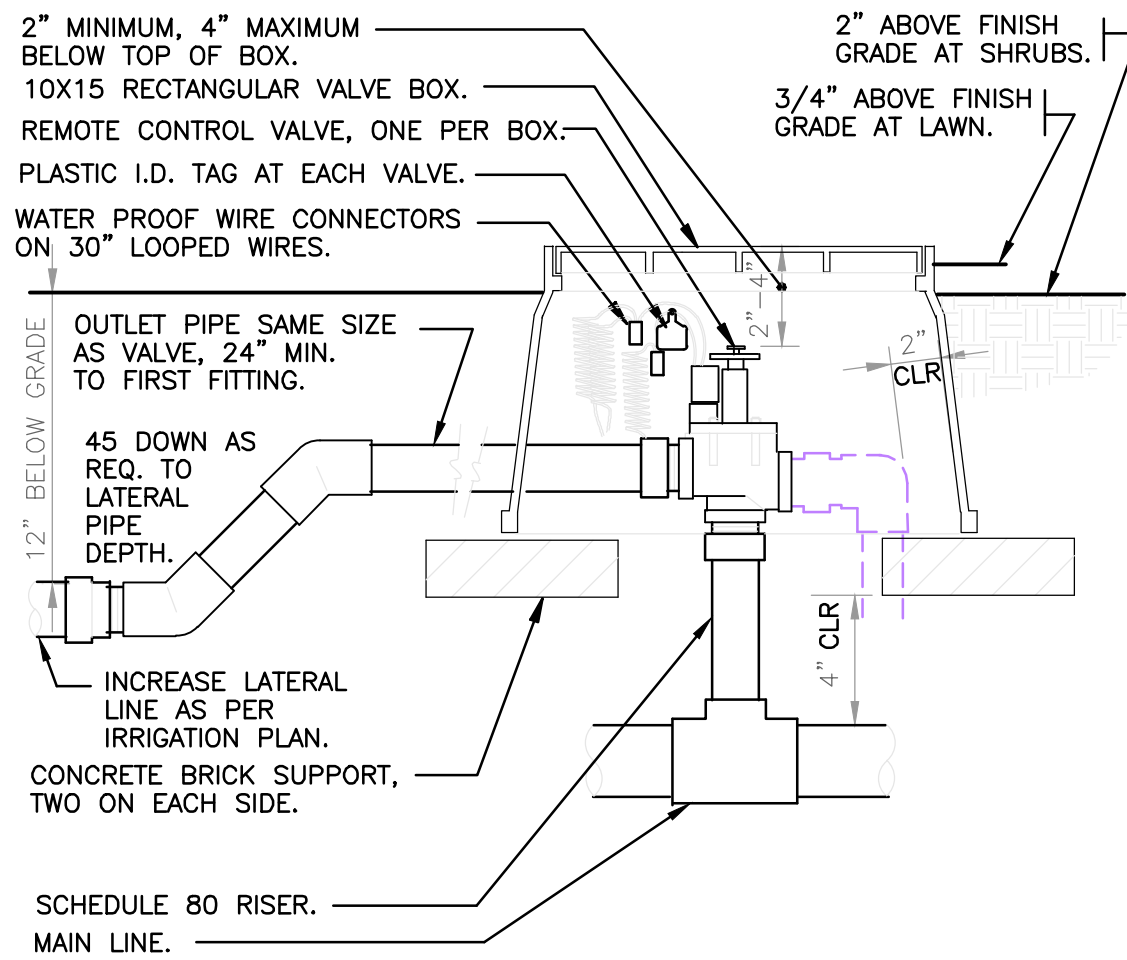
3 MAINLINE THRUST BLOCKING

3/4" = 1'-0" 328409.76-01



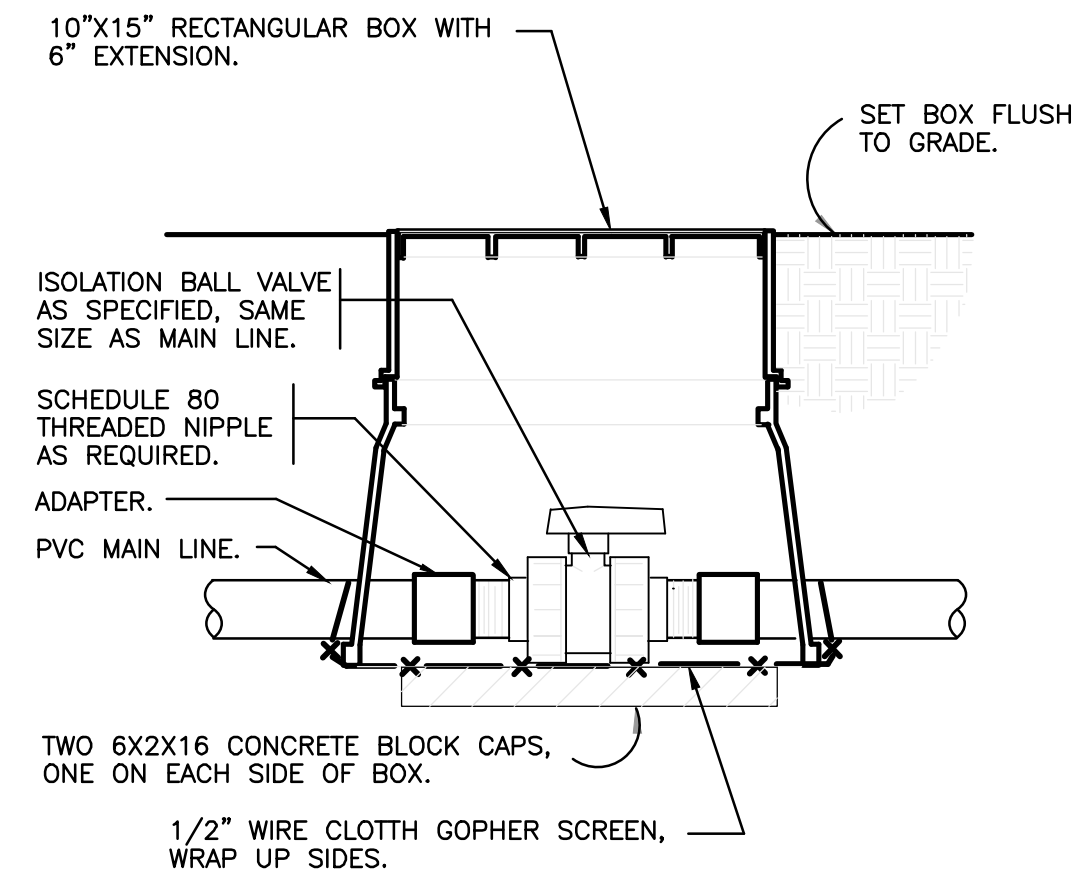
4 MAINLINE WITH SAND BEDDING

1 1/2" = 1'-0" 328409.76-03



5 ELECTRIC REMOTE CONTROL VALVE

1 1/2" = 1'-0" 328406.13-02



6 TRUE UNION BALL ISOLATION VALVE

1 1/2" = 1'-0" 328406.33-04

CRITICAL ANALYSIS

Generated: 2015-09-24 11:27

P.O.C. NUMBER:01

Water Source Information: New 12" City Water Main

FLOW AVAILABLE

Water Meter Size: 2"

Flow Available: 120.00 gpm

PRESSURE AVAILABLE

Static Pressure at POC: 60.00 psi

Elevation Change: 7.00 ft

Service Line Size: 3"

Length of Service Line: 20.00 ft

Pressure Available: 57.00 psi

DESIGN ANALYSIS

Maximum Station Flow: 36.00 gpm

Flow Available at POC: 120.00 gpm

Residual Flow Available: 84.00 gpm

Pressure Req. at Critical Station: 39.41 psi

Loss for Fittings: 0.17 psi

Loss for Main Line: 1.66 psi

Loss for POC to Valve Elevation: 1.30 psi

Loss for Backflow: 11.72 psi

Loss for Water Meter: 0.96 psi

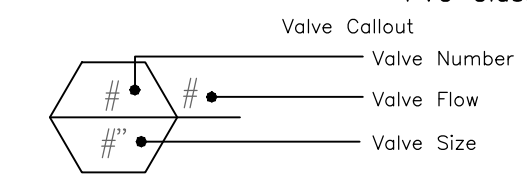
Critical Station Pressure at POC: 55.22 psi

Pressure Available: 57.00 psi

Residual Pressure Available: 1.78 psi

IRRIGATION SCHEDULE

SYMBOL	MANUFACTURER/MODEL/DESCRIPTION	QTY	PSI	DETAIL
250 50Q 50H 10H 10F 20F	Hunter PROS-06-CV-MSBN Multi-Stream Bubbler, 6" pop-up, factory installed drain check valve, 25=2.5gpm, 50=0.5gpm, 10=1.0gpm, 20=2.0gpm.	196	30	
●	Rain Bird PEB 1", 1-1/2", 2" Plastic Industrial Valves. Low Flow Operating Capability, Globe Configuration.	8		
BF	Febco 825Y 2" Reduced Pressure Backflow Preventer	1		
1	Hunter IC-1200-M Modular Controller, 12 stations, Outdoor Model, Metal Cabinet. Commercial Use. With one ICM-600 module included.	1		
RS	Hunter MINI-CLIK Rain Sensor, mount as noted	1		
M	Water Meter 2" New 12" City Water Main	1		
	Irrigation Lateral Line: PVC Schedule 40 PVC Schedule 40 irrigation pipe. Only lateral transition pipe sizes 1 1/4" and above are indicated on the plan, with all others being 1" in size.	731.5 l.f.		
	Irrigation Mainline: PVC Class 200 SDR 21 PVC Class 200 irrigation pipe.	534.2 l.f.		



VALVE SCHEDULE

NUMBER	MODEL	SIZE	TYPE	WIRE	PSI	PSI @ POC	GPM	HEAD ELEV	VALVE ELEV	PRECIP
1	Rain Bird PEB	1-1/2"	Bubbler		34.97	49.74	30.00	1.00 ft	3.00 ft	34.79 in/h
2	Rain Bird PEB	1-1/2"	Bubbler		35.45	48.82	16.00	3.00 ft	3.00 ft	29.88 in/h
3	Rain Bird PEB	1-1/2"	Bubbler		33.64	46.94	20.00	1.00 ft	3.00 ft	34.79 in/h
4	Rain Bird PEB	1-1/2"	Bubbler		35.62	50.10	36.00	3.00 ft	3.00 ft	35.13 in/h
5	Rain Bird PEB	1-1/2"	Bubbler		33.77	47.25	20.00	1.00 ft	3.00 ft	34.79 in/h
6	Rain Bird PEB	1-1/2"	Bubbler		33.98	47.26	16.00	3.00 ft	3.00 ft	29.88 in/h
7	Rain Bird PEB	1-1/2"	Bubbler		39.42	55.22	34.00	3.00 ft	3.00 ft	27.79 in/h
8	Rain Bird PEB	1-1/2"	Bubbler		38.44	53.08	26.00	3.00 ft	3.00 ft	31.59 in/h

F:\Projects\Projects 4500-4599\4531T Landscape Base.dwg

MOSLEY & ROCK ISLAND
Irrigation Notes & Details

SEAL: PRESENT D. THOMAS, LICENSED PROFESSIONAL ENGINEER, KANSAS, No. 669, 12.2.2015

RUGGLES & BOHM
ENGINEERING | SURVEYING | LANDSCAPE ARCHITECTURE | GOVERNMENT
924 NORTH MAIN WICHITA, KANSAS 67203 P (316) 264-8008 F (316) 264-4621 WWW.RBIRKANSAS.COM

PROJECT NUMBER: 472-85915
DRAWING FILE: 4531T
DWG. SCALE: ...

DATE: Dec. 2, 2015
DESIGN: BT/DK
DRAWN: DK
REVIEW: ...
SHEET: 52 OF 59