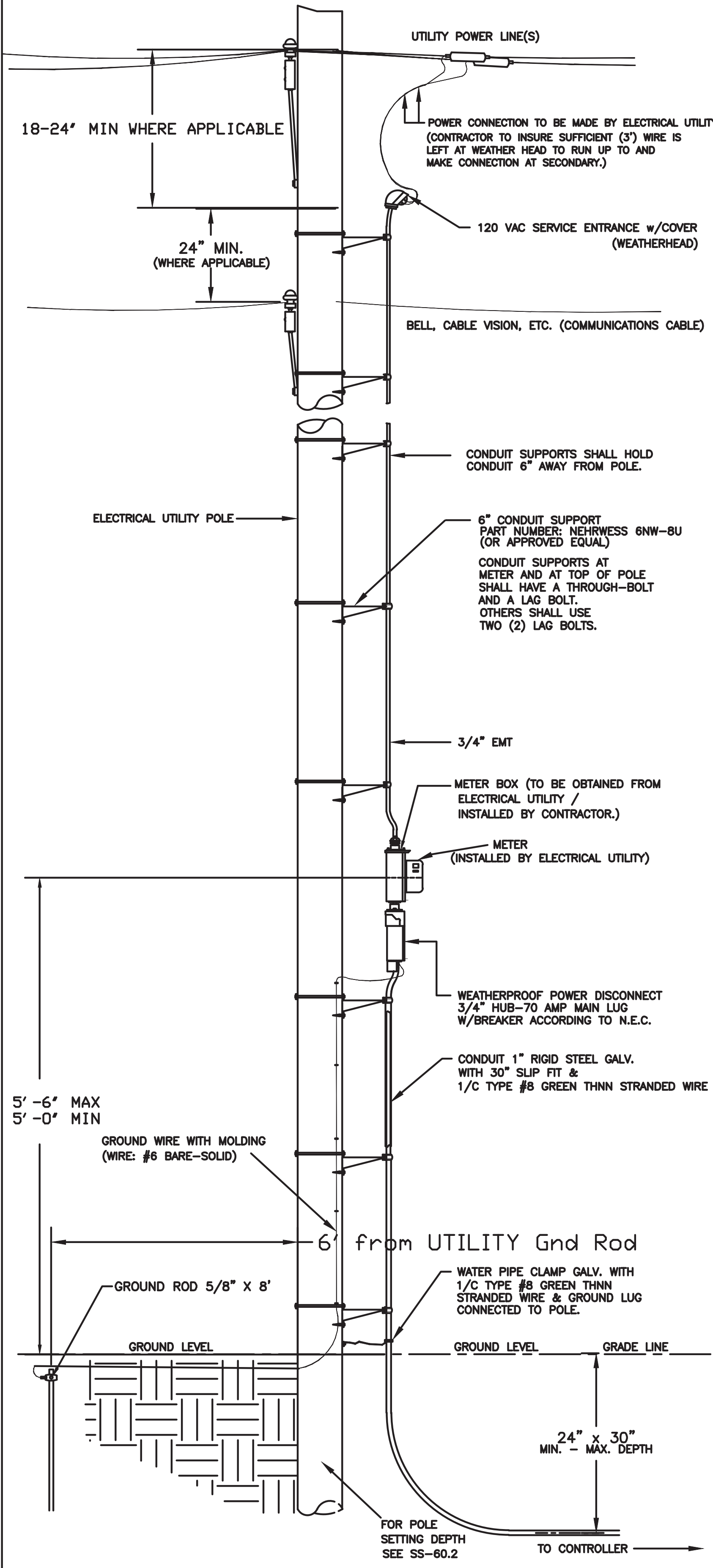
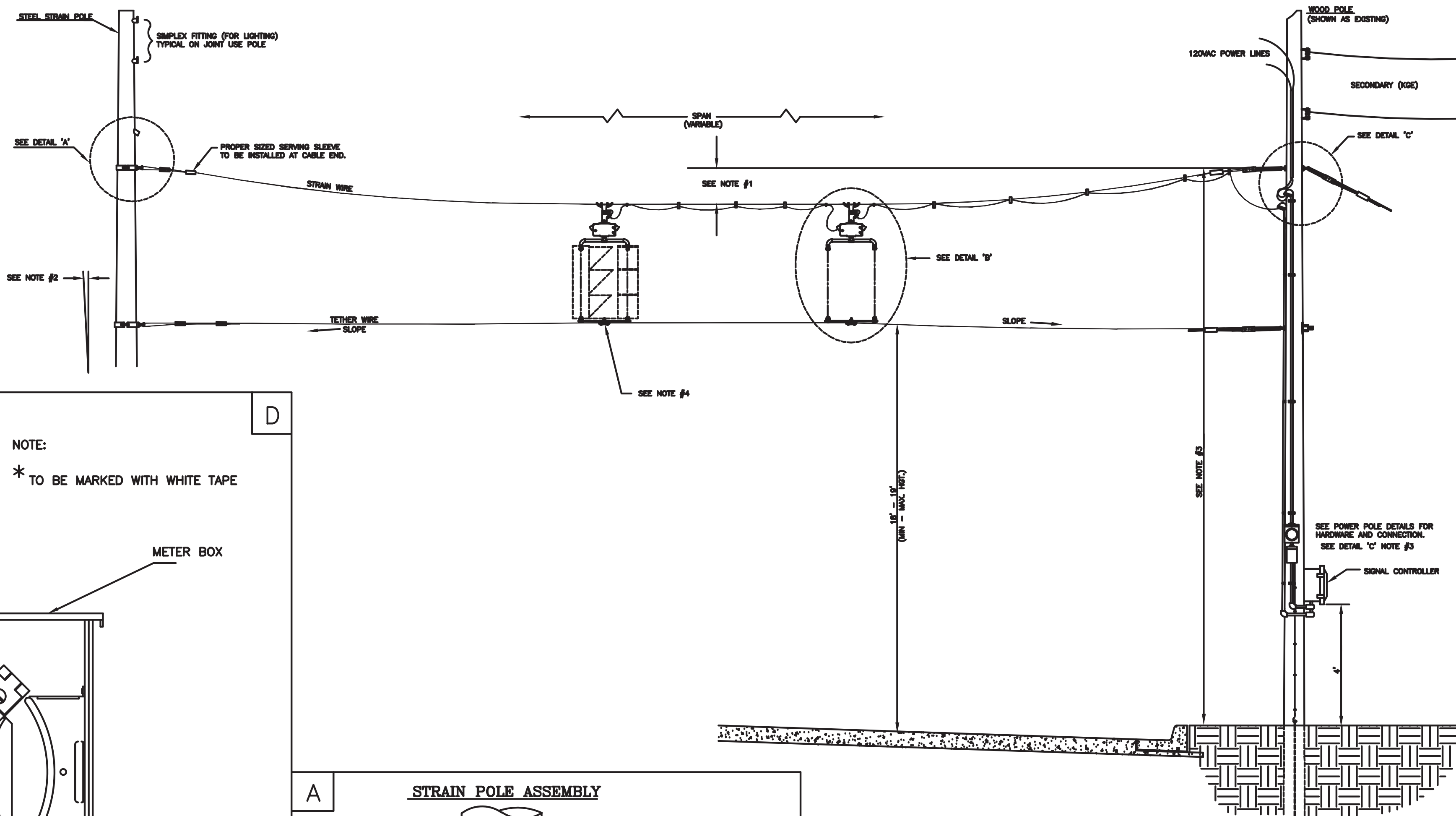


**POWER POLE DETAILS**

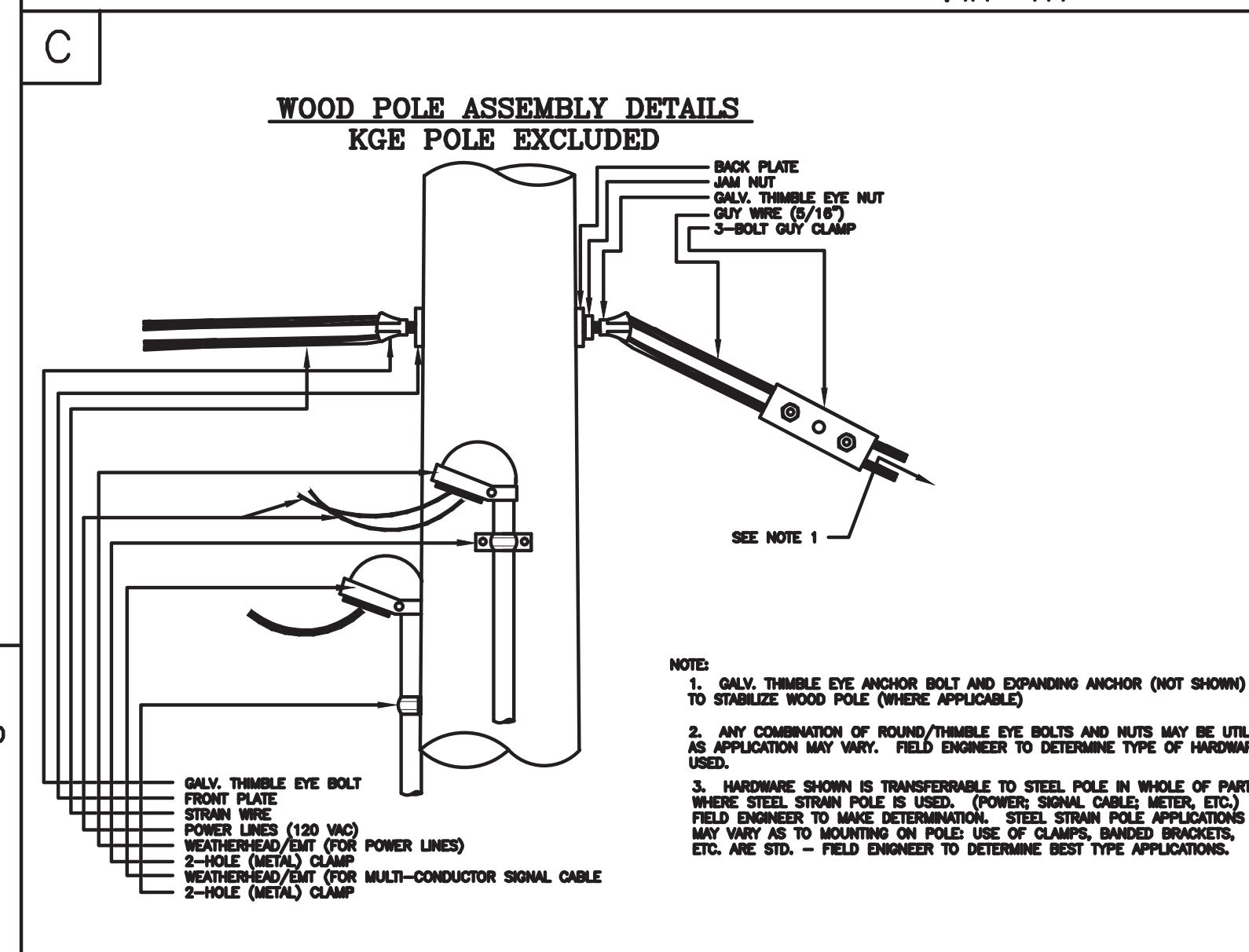
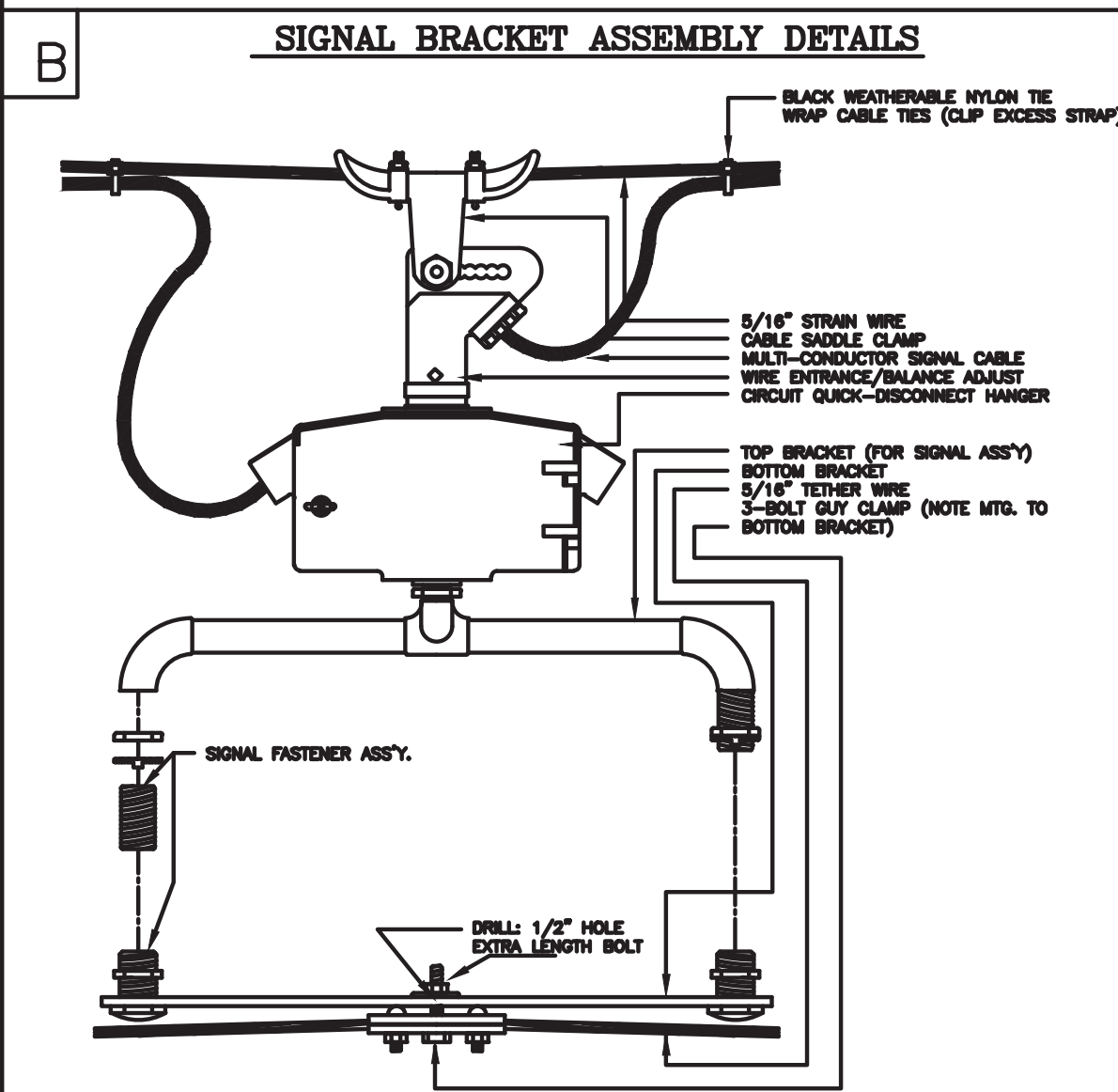
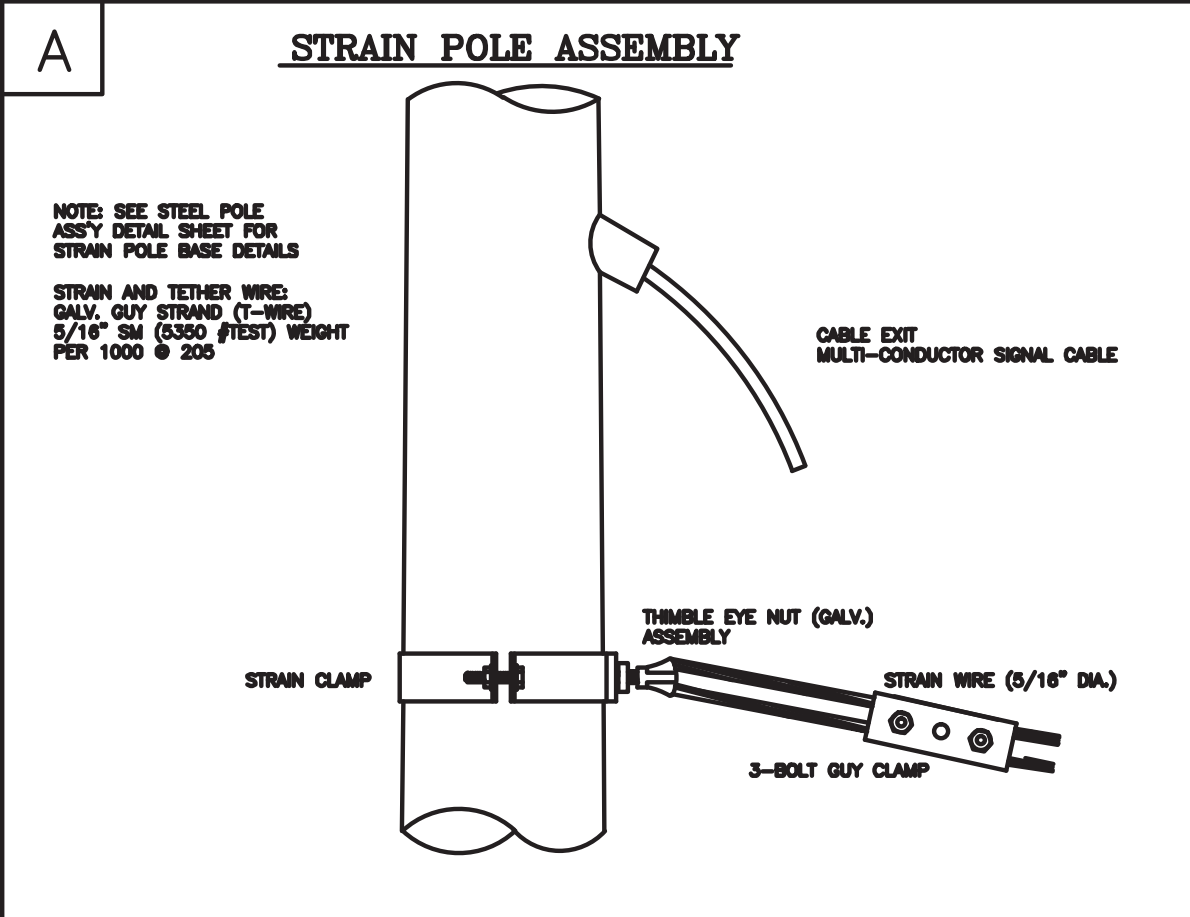
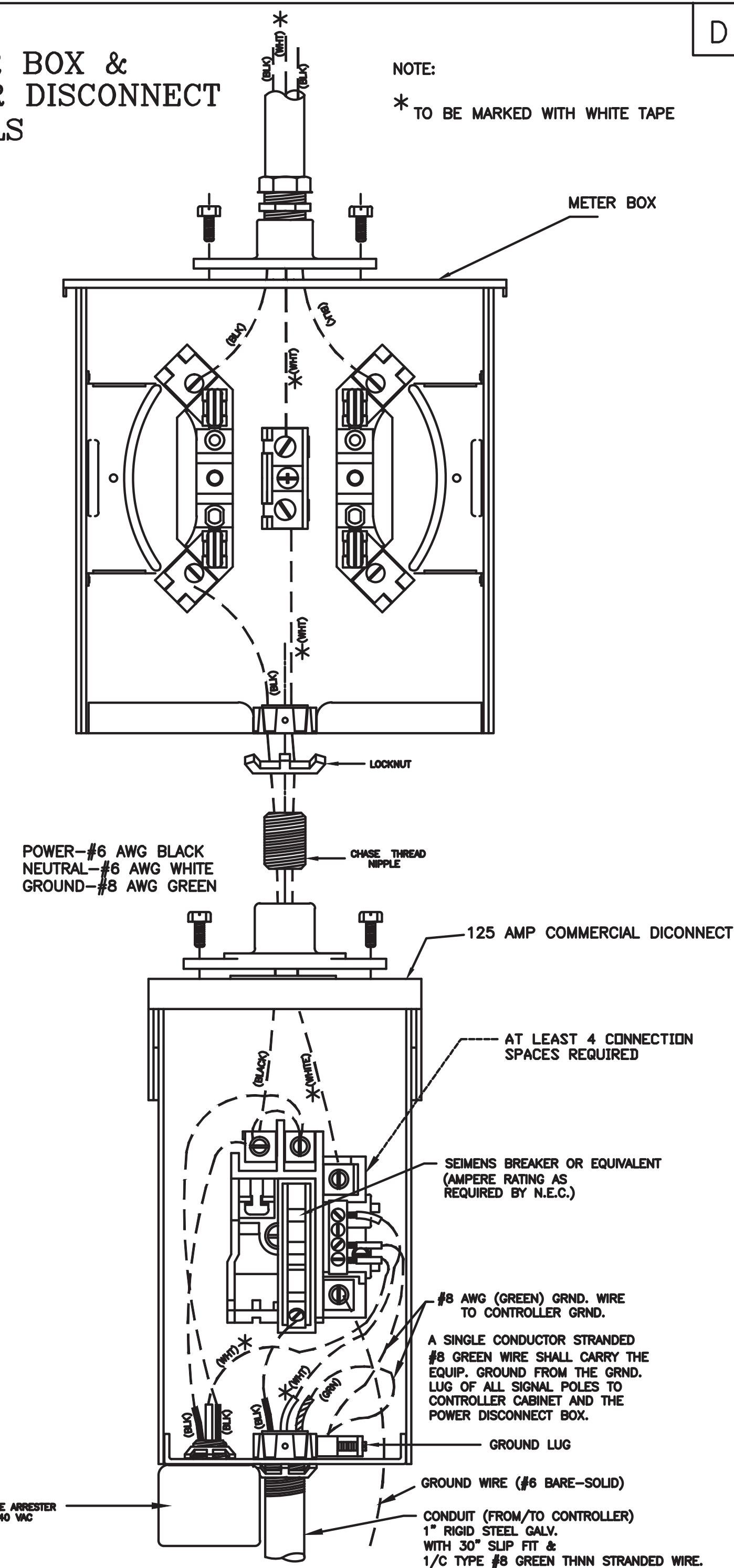


**SPANWIRE ASSEMBLY DETAILS**

1. MAX. SAG = 5% OF SPAN.
2. STANDARD BACKRAKE = 1.5'
3. HEIGHT OF STRAIN WIRE HOOK-UP TO BE DETERMINED BY FIELD ENGINEER. TRAFFIC SIGNAL CABLE TO BE SECURED TO STRAIN (SPAN) WIRE WEATHERABLE NYLON CABLE HANGERS (12" CTR.) DETAIL 'B'
4. TETHER CLAMP TO BE DESIGNED TO RELEASE UNDER 'HIGH WIND LOAD' TO PERMIT SIGNAL 'FREE SWING'.



**METER BOX & POWER DISCONNECT DETAILS**



REVISED 8/2015

**CITY OF WICHITA**

PUBLIC WORKS & UTILITIES  
ENGINEERING DIVISION

**POWER POLE AND SPAN POLE ASSEMBLY DETAILS**

TRAFFIC ENGINEER  
**BRIAN A. COON, P.E.**

PROJECT NUMBER 472-84822	OCA NUMBER 707074	DATE 9/29/2015
-----------------------------	----------------------	-------------------

CITY ENGINEER'S OFFICE  
CITY HALL - SEVENTH FLOOR  
455 NORTH MAIN STREET  
WICHITA, KANSAS 67202-1620  
(316) 268-4501

SHEET  
9 of 30