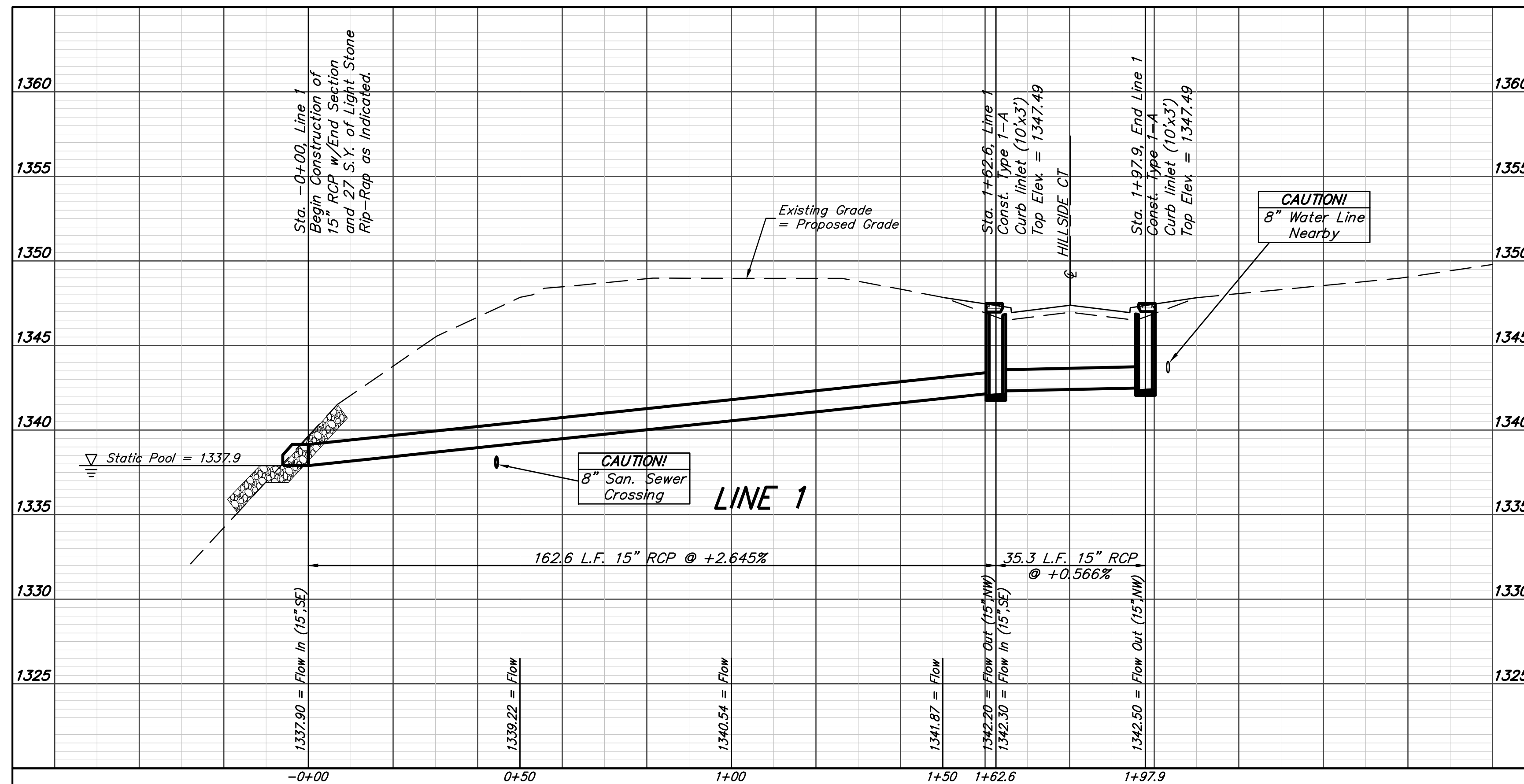
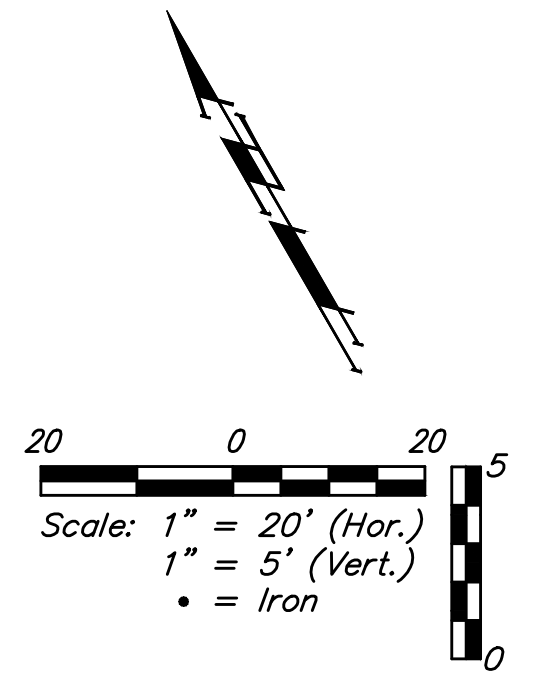
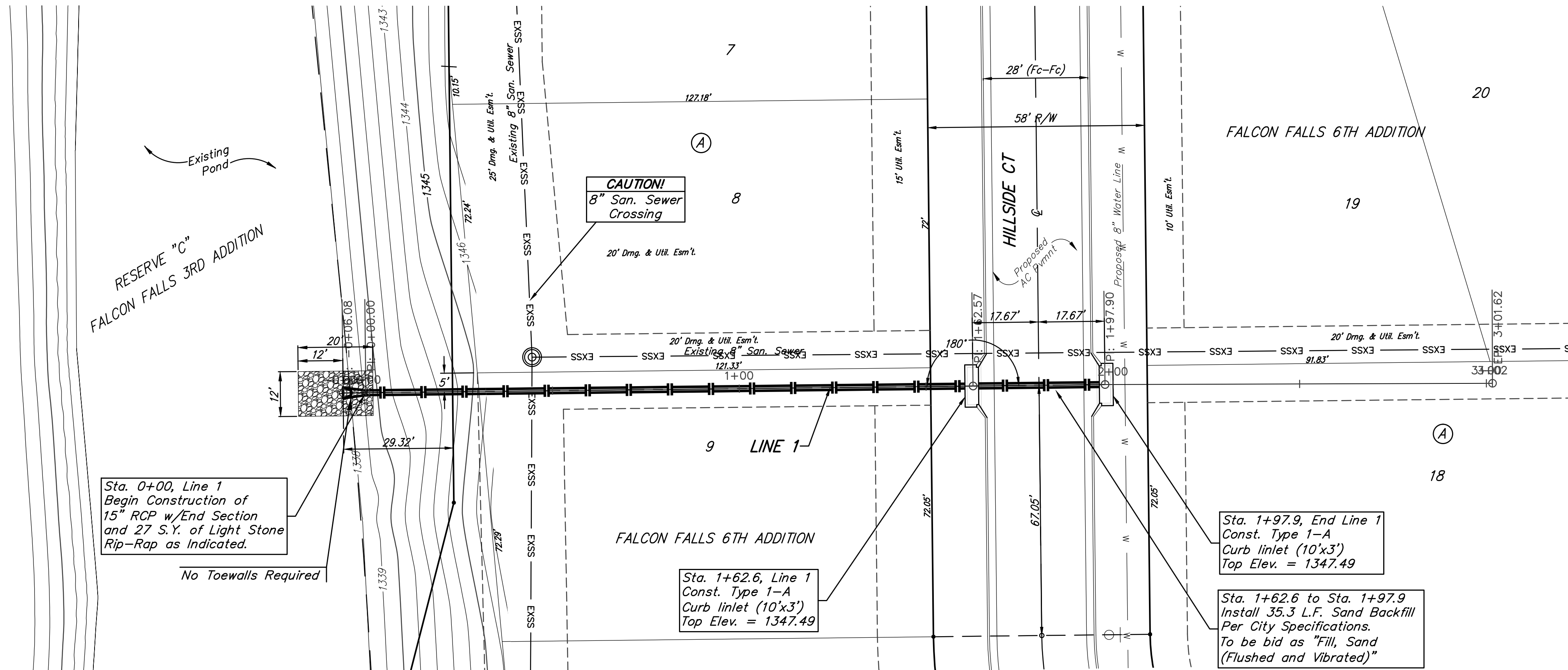


BENCHMARKS:
 Chiseled square cut on top of headwall of R.C.B.C., 31.1' south-southwest of the southwest corner of Lot 1, Block A & 36.6' northeast of the northeast corner of Reserve "C".
 Elev. = 1349.83 NAVD88

Chiseled square cut on top of curb at west end of median, 89.6' south-southwest of the southwest corner of Lot 17, Block A & 86.2' south-southeast of the southeast corner of Lot 31, Block A.
 Elev. = 1348.62 NAVD88



Baughman		Falcon Falls 6th Addition - Phase II	
		LINE 1	
		Storm Water Sewer Improvements	
Baughman Company, P.A. 315 Ellis St. Wichita, KS 67211 P 316-262-7271 F 316-262-0149 ENGINEERING SURVEYING PLANNING LANDSCAPE ARCHITECTURE			
PROJECT NUMBER	DESIGN	DRAWN	
	AEG	JAK	
REVISIONS:	APPROVED	DATE	
		11/24/15	
	SCALE	Noted	
	SHEET		
			10 OF 24