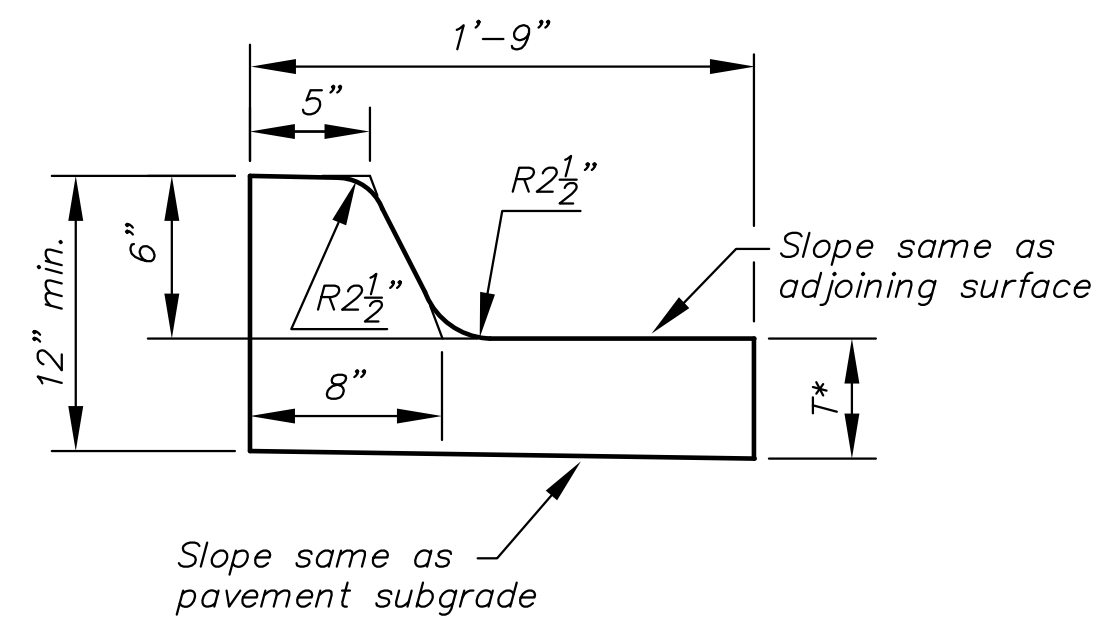
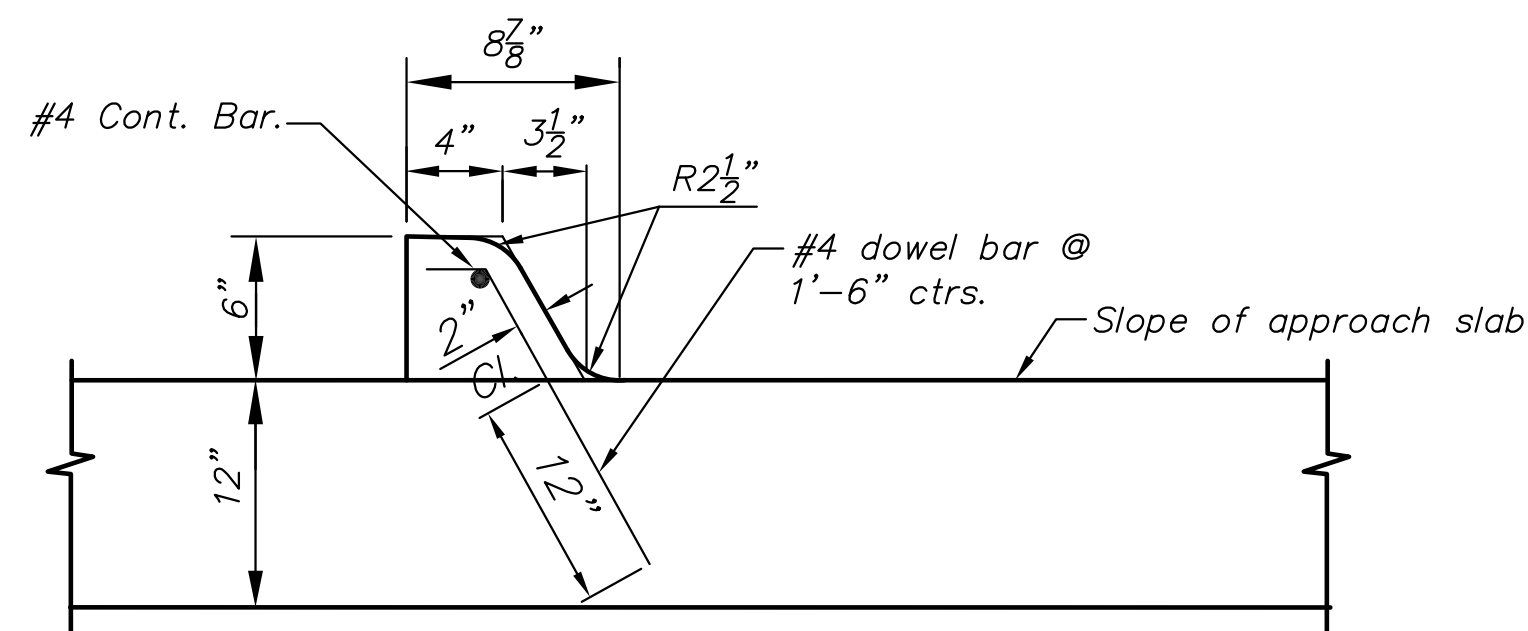


PLOT/TEXT: Tuesday, April 05, 2016 @ 11:56AM

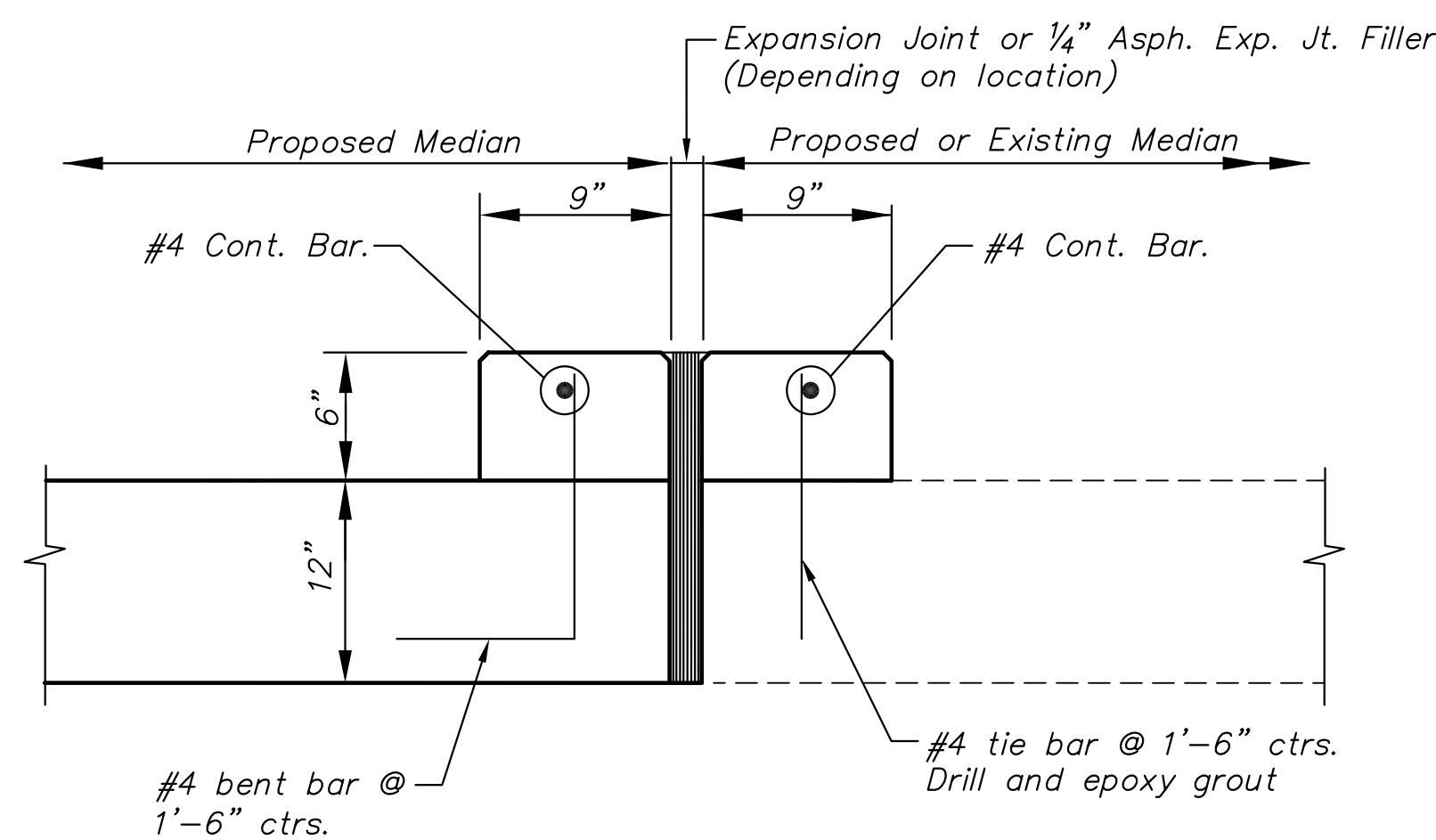
T* = Thickness of curb to adjust with pavement thickness



CONCRETE C & G, TYPE 3 (6" & 1 1/2"), SPECIAL



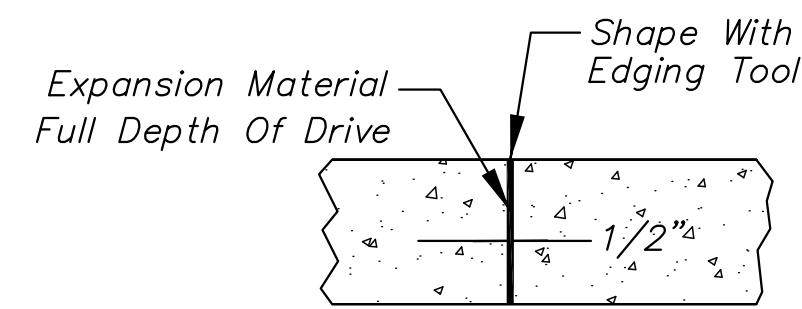
CONCRETE CURB, MONO EDGE (6" & 1 1/2")
(PARALLEL WITH TRAVELED WAY)



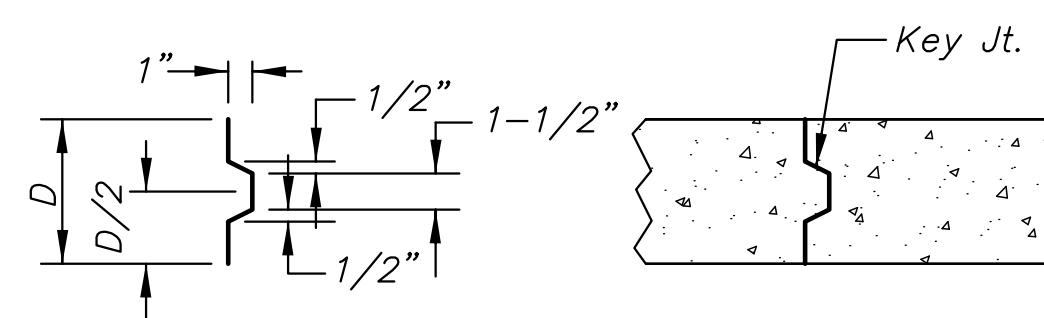
CONCRETE CURB, MONO EDGE (6" & 1 1/2")
(PERPENDICULAR WITH TRAVELED WAY)

GENERAL NOTES

- Expansion (isolation) joints shall be constructed a maximum of 300' apart and at all Pls, PCs, cul-de-sac quadrants, and ends of returns.
- Contraction joints shall be constructed a minimum of 12' apart.
- Joint sealer shall be required at all joints on arterial and industrial streets and at intersections on residential streets.

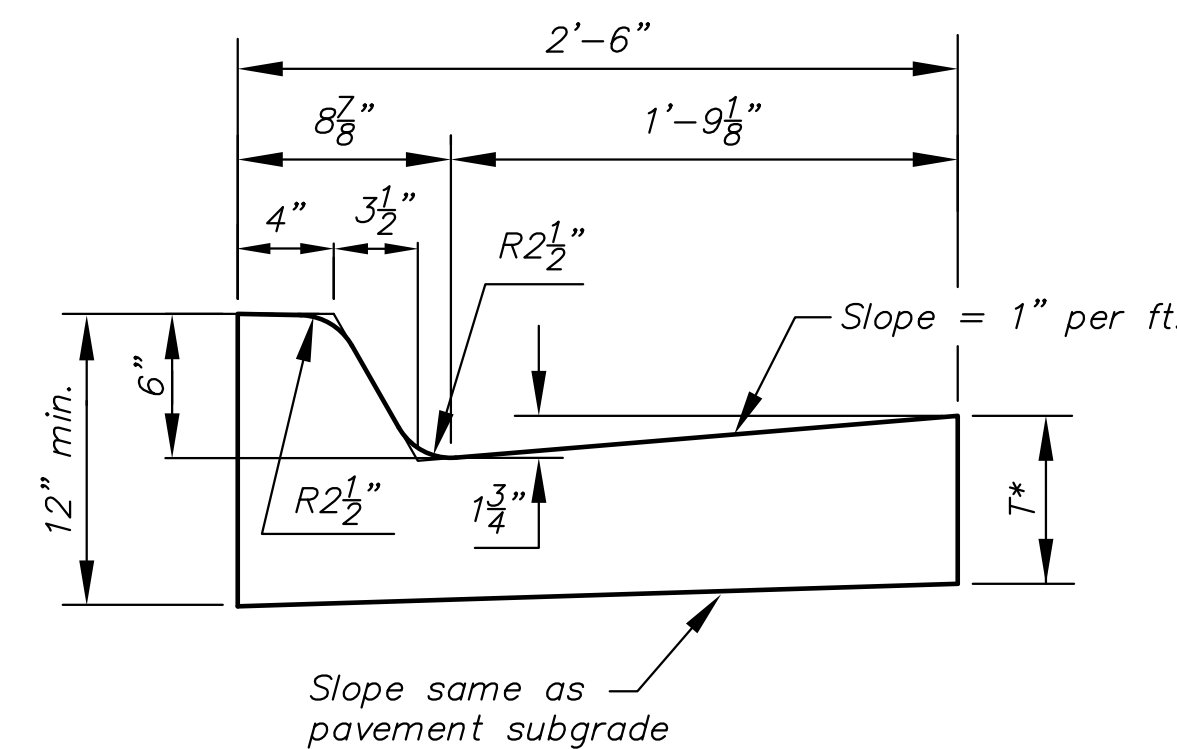


EXPANSION JOINT (E.J.)

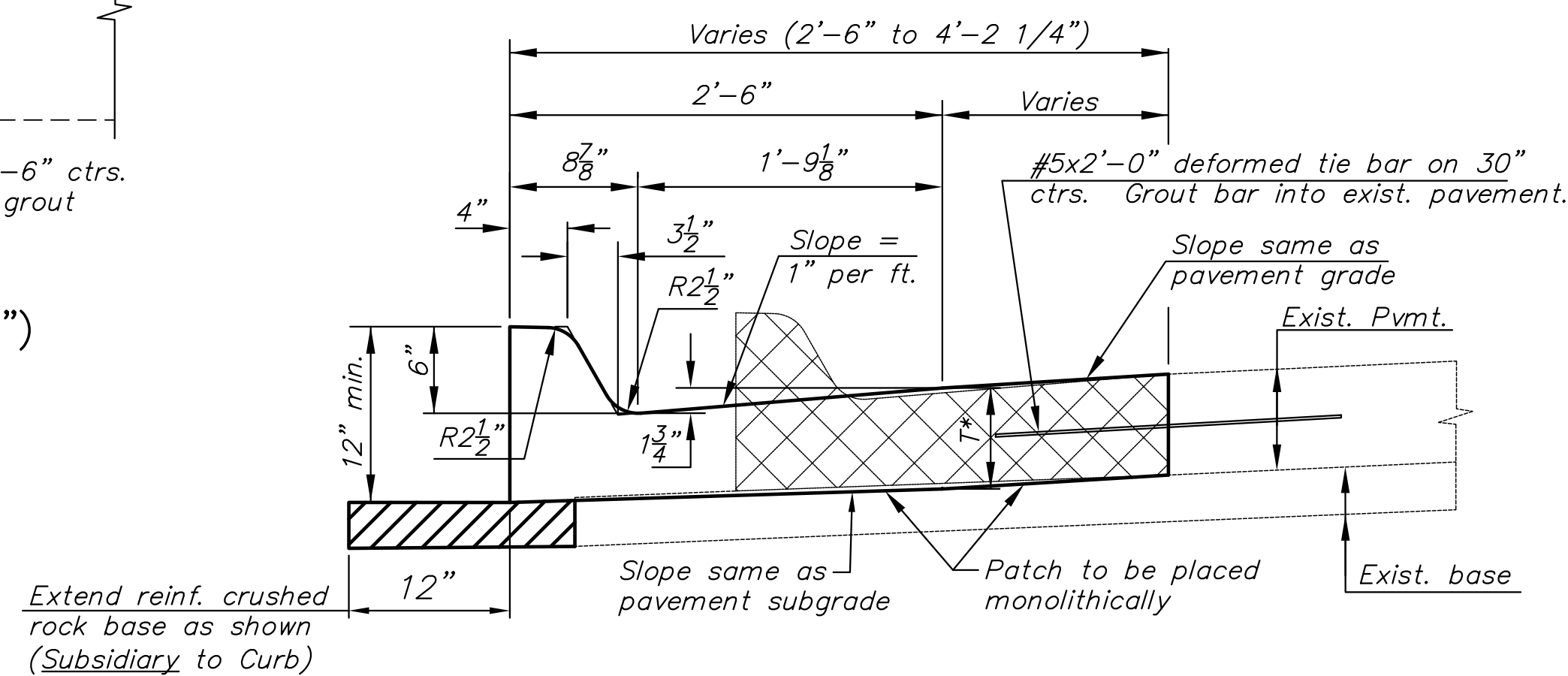


ALT. LONGITUDINAL CONSTRUCTION JOINT

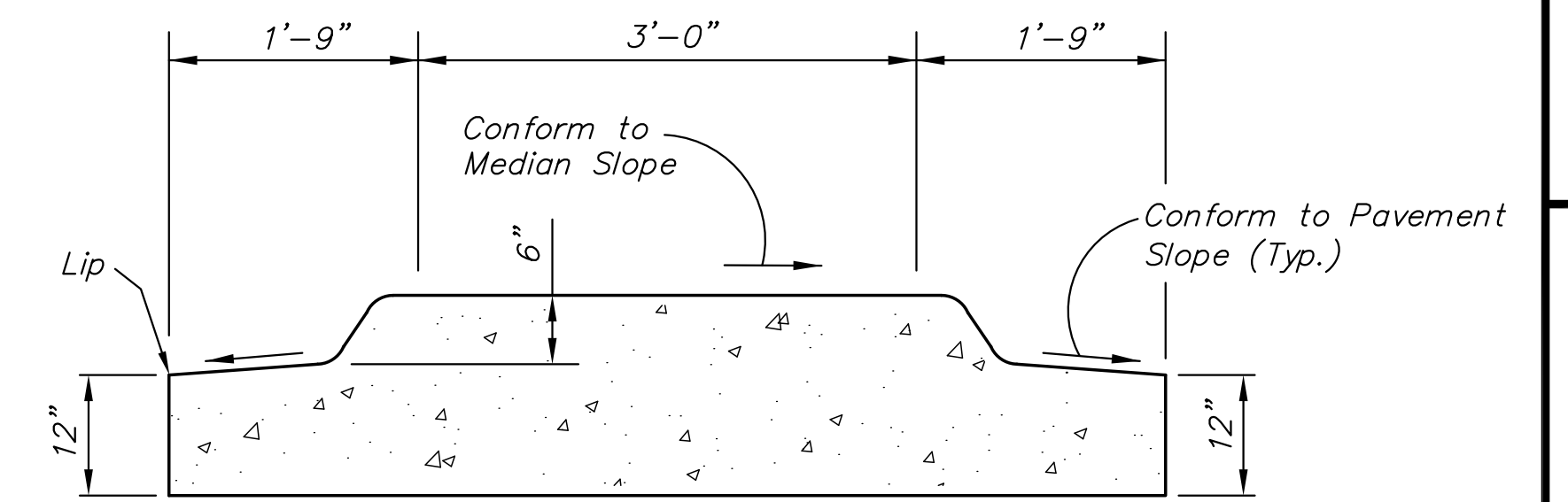
T* = Thickness of curb to adjust with pavement thickness



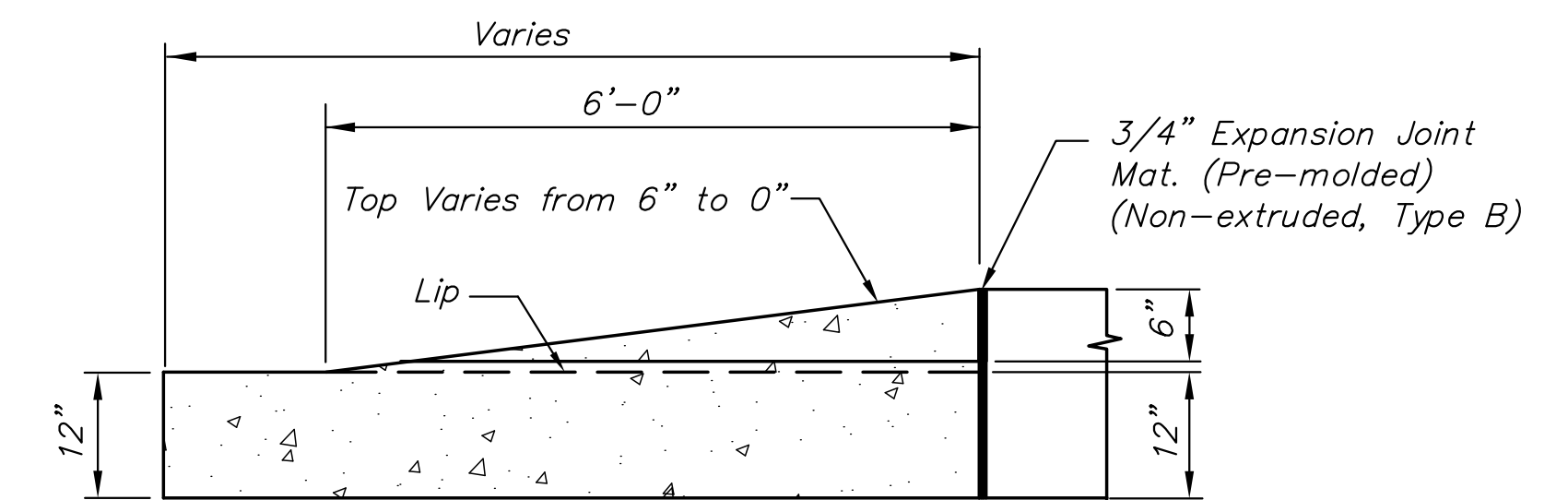
CONCRETE C & G, TYPE 1 (6" & 1 1/2")



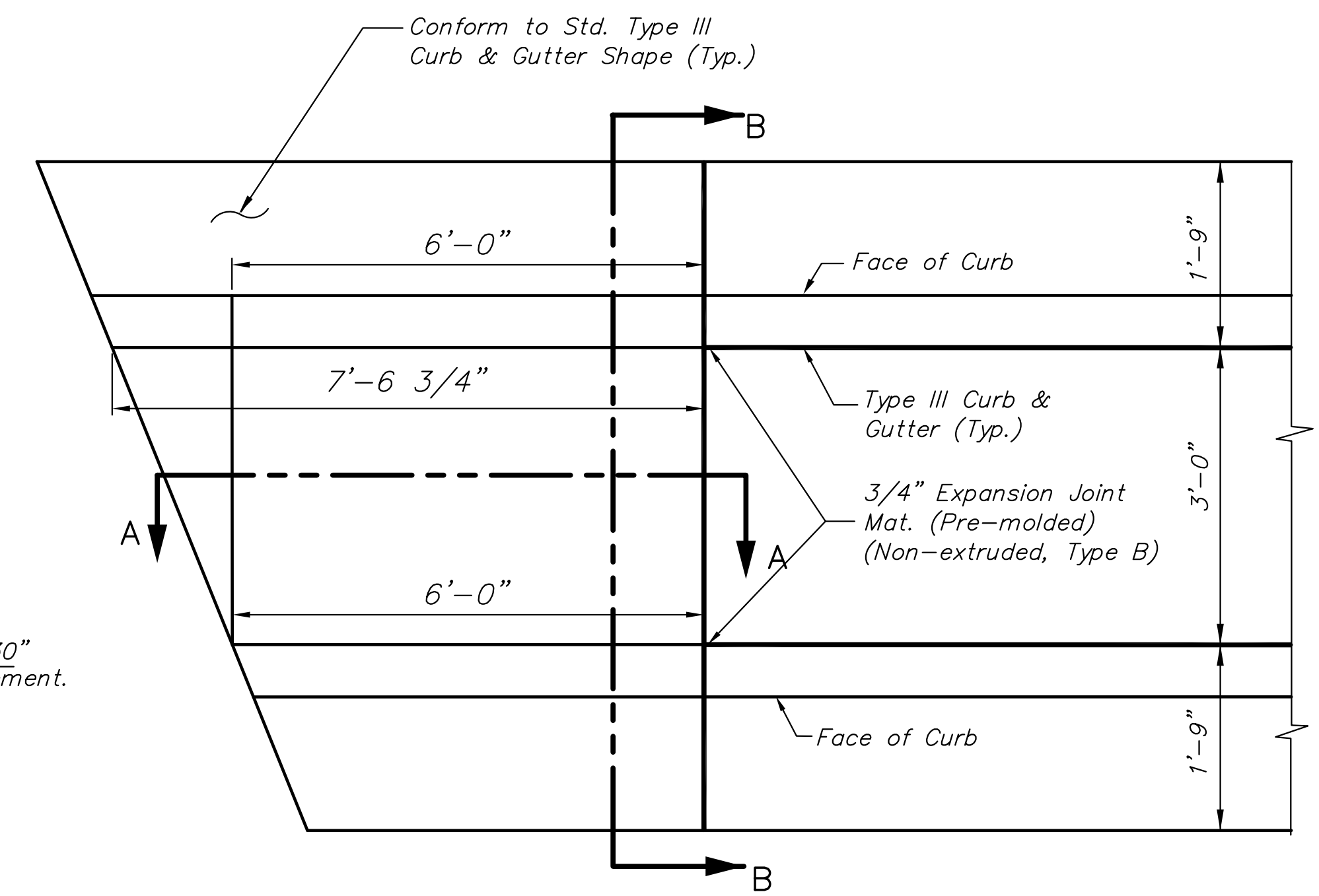
CONCRETE C & G, TYPE 1 (6" & 1 1/2"), SPECIAL



SECTION B-B



SECTION A-A



PLAN
CONCRETE MEDIAN NOSE

©2013 MKEC Engineering All Rights Reserved www.mkec.com
These drawings and their contents, including, but not limited to, all concepts, designs, & ideas are the exclusive property of MKEC Engineering (MKEC), and may not be used or reproduced in any way without the express consent of MKEC.

CURB DETAILS

PROJECT NO.	472-84922	
DATE	04/05/2016	
SCALE	N/A	
DESIGNED	DRAWN	CHECKED
JRA	DPG	JRA
NO.	REVISION	DATE

SHEET NO.

S:\CHIN\Bach-Hung\DETAILS\10284-Curb Details.dwg