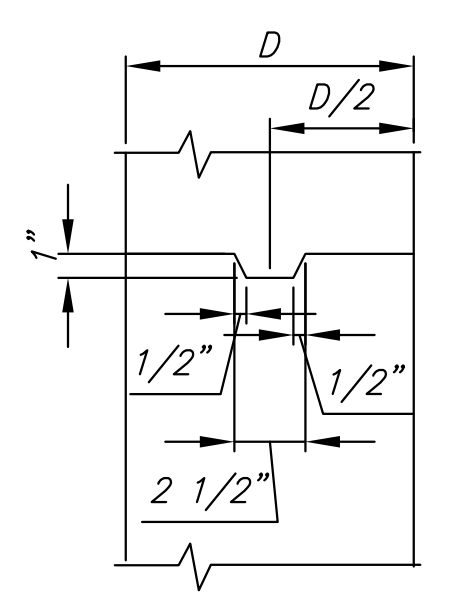
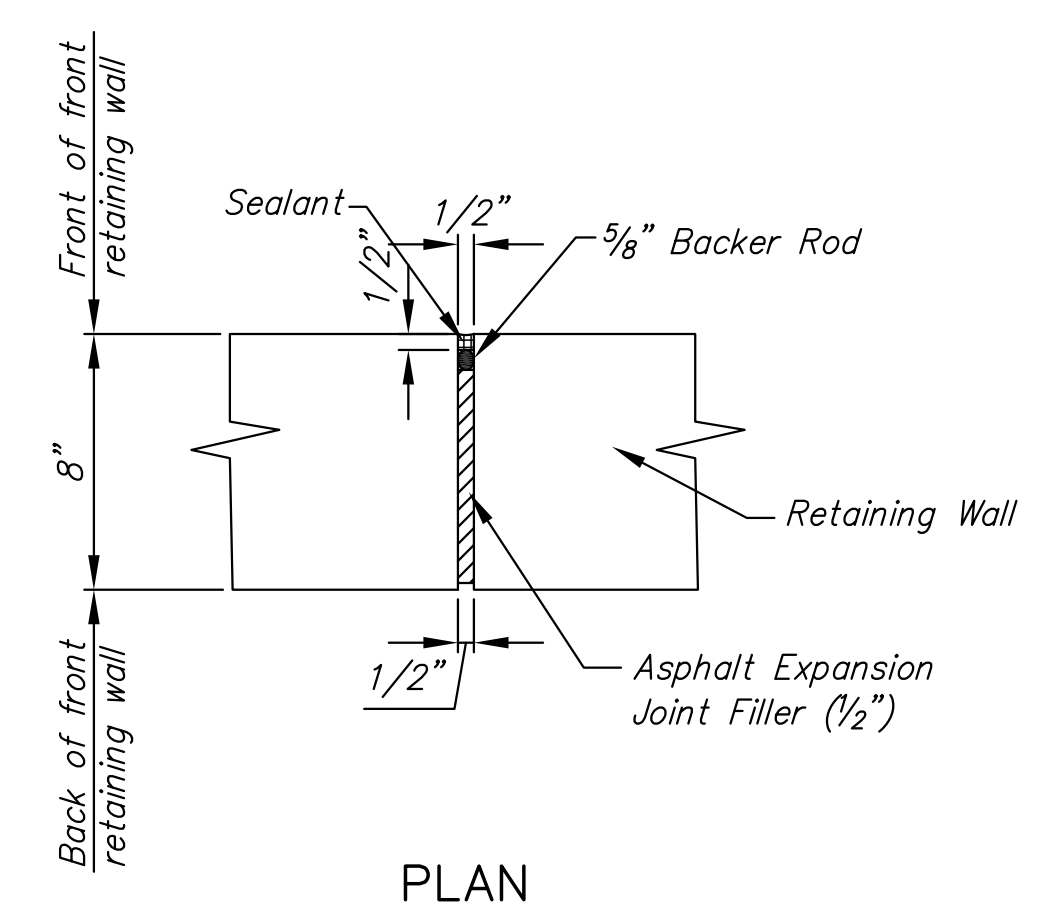


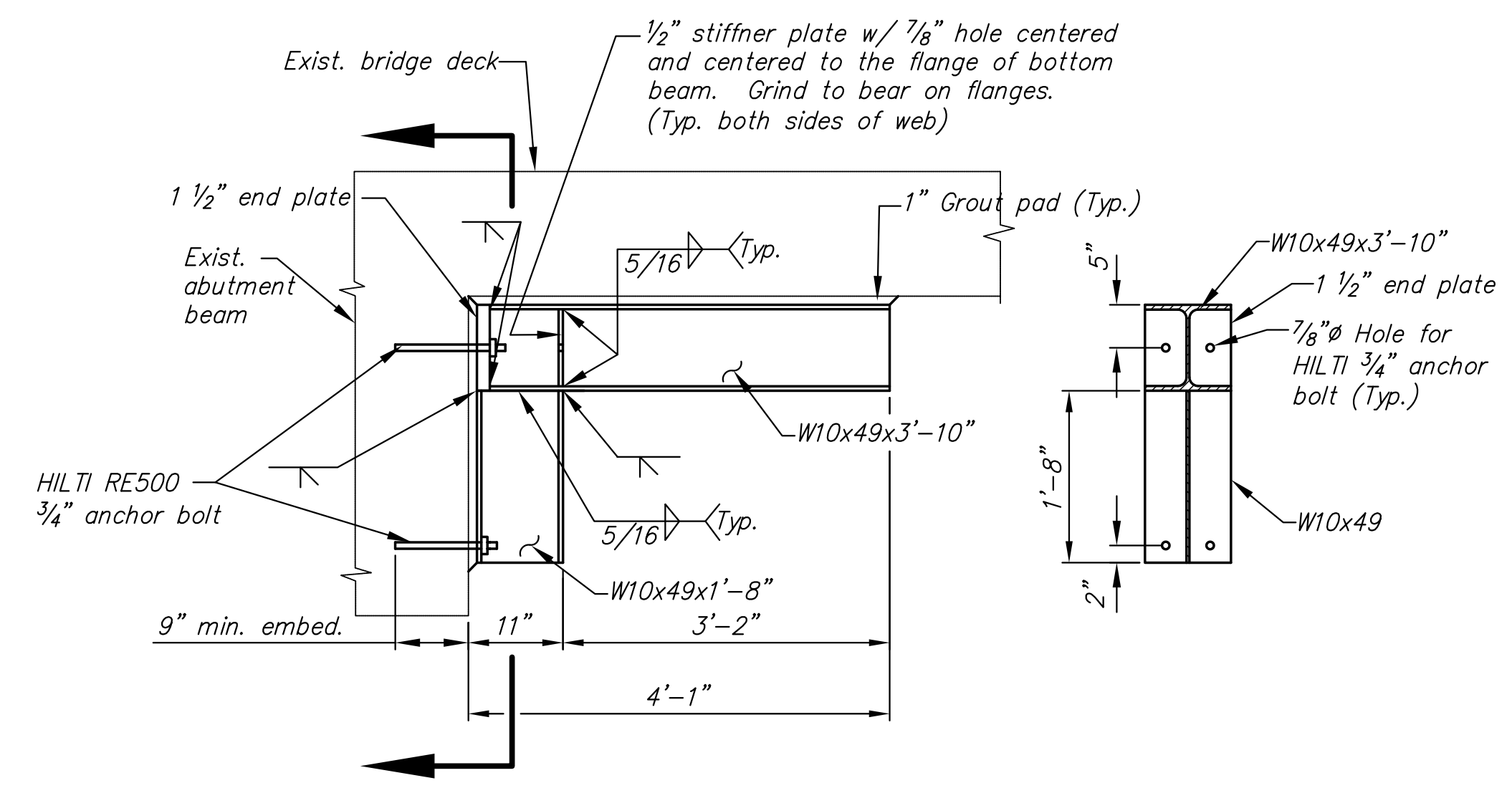
PAWNEE AVENUE BRIDGE OVER ARKANSAS RIVER
BRIDGE REHABILITATION IMPROVEMENTS



KEYWAY DETAIL



EXPANSION JOINT DETAIL



SUPPORT BEAM DETAIL

Install support beam during construction of the retaining wall and prior to backfill.

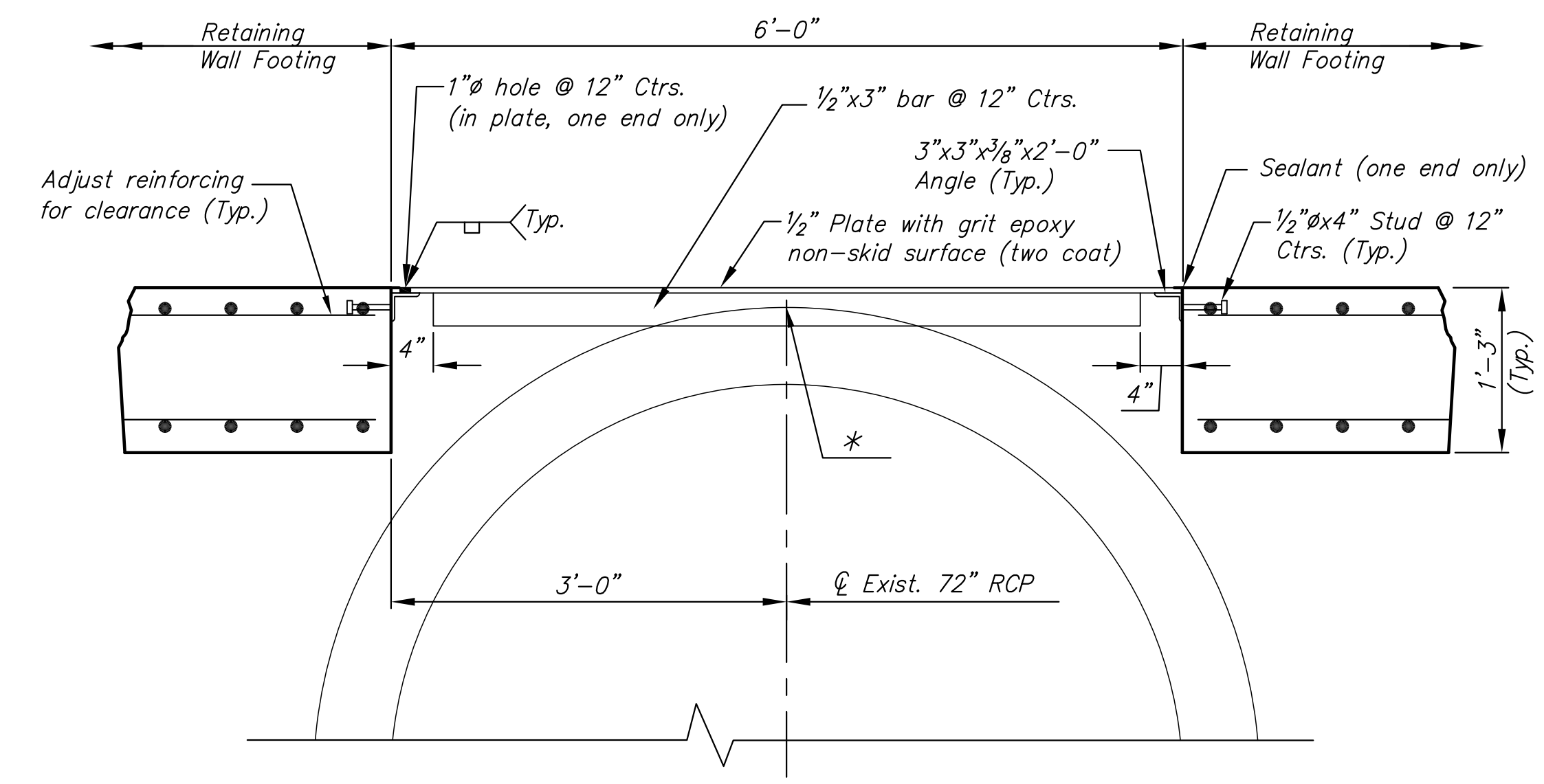
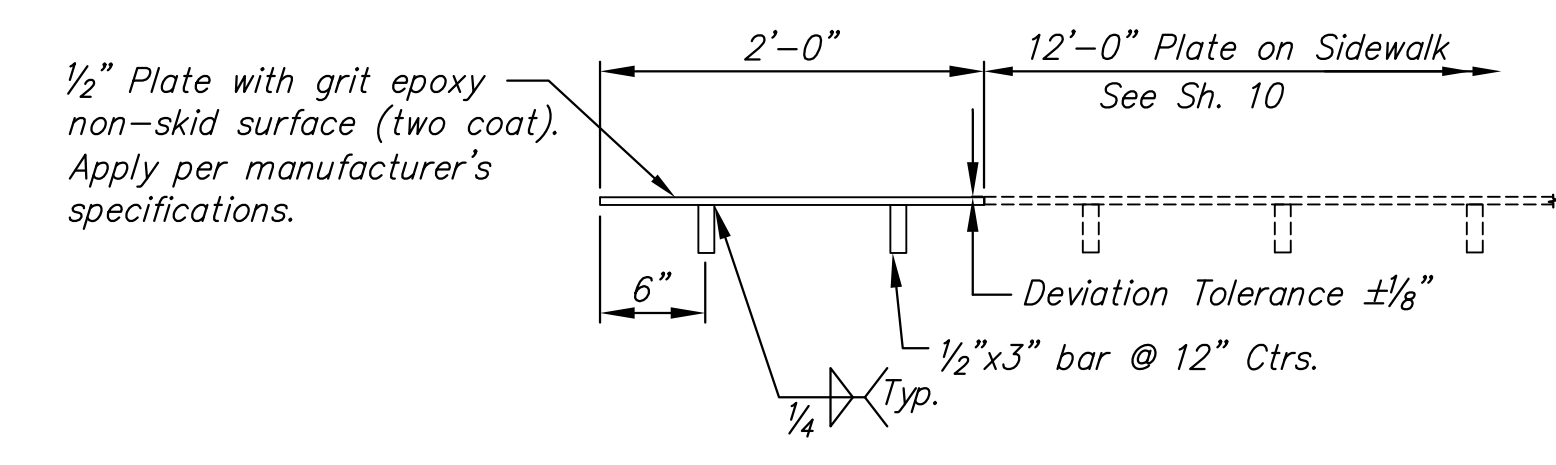


PLATE DETAIL AT 72" RCP CROSSING

See Sh. 19 for plan location.

* Note: Prior to construction the Engineer shall survey the top of the storm water sewer pipe (72" RCP) at five (5) foot intervals and determine if vertical adjustments to the plate cover are required. If required clearances are inadequate, adjusted elevation and wall geometry will be provided to the Contractor. The labor, materials and equipment necessary to complete this work will not constitute a monetary or construction time change order.



Section through Plate

Steel Plate and Miscellaneous Structural Steel: This shall be paid by sq. ft. of floor area. This will constitute the only compensation for "Structural Steel (Merchant Quality)", as specified by KDOT Standard Specifications Section 712. Painting is not required.

©2013 MKEC Engineering All Rights Reserved www.mkec.com
These drawings and their contents, including, but not limited to, all concepts, designs, & ideas are the exclusive property of MKEC Engineering (MKEC), and may not be used or reproduced in any way without the express consent of MKEC.

RETAINING WALL DETAILS	
PROJECT NO.	472-84922
DATE	04/05/2016
SCALE	NONE
DESIGNED	DRAWN
HWL	DPG
CHECKED	KJS
NO.	REVISION
	DATE