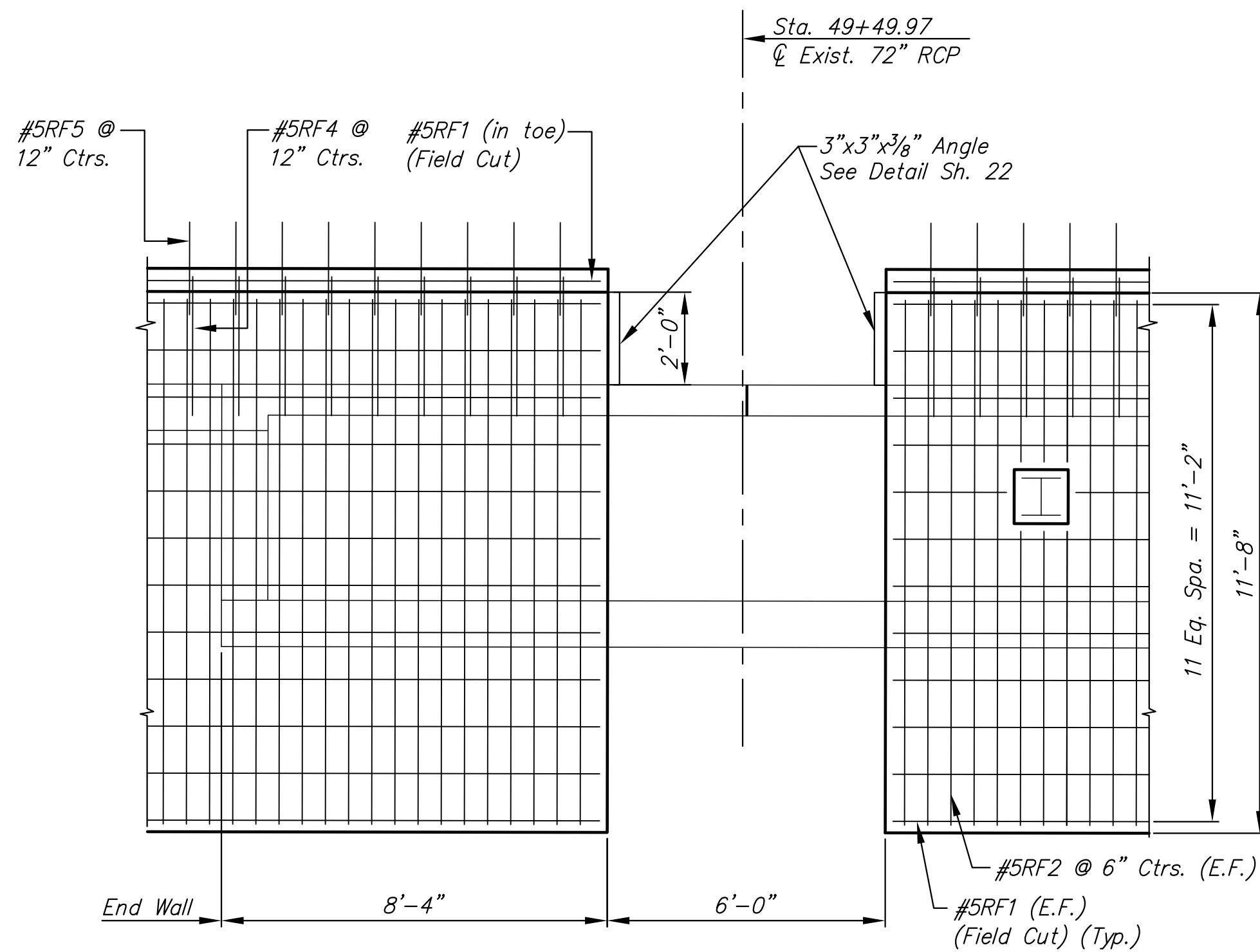


RETAINING WALL FOOTING DETAILS

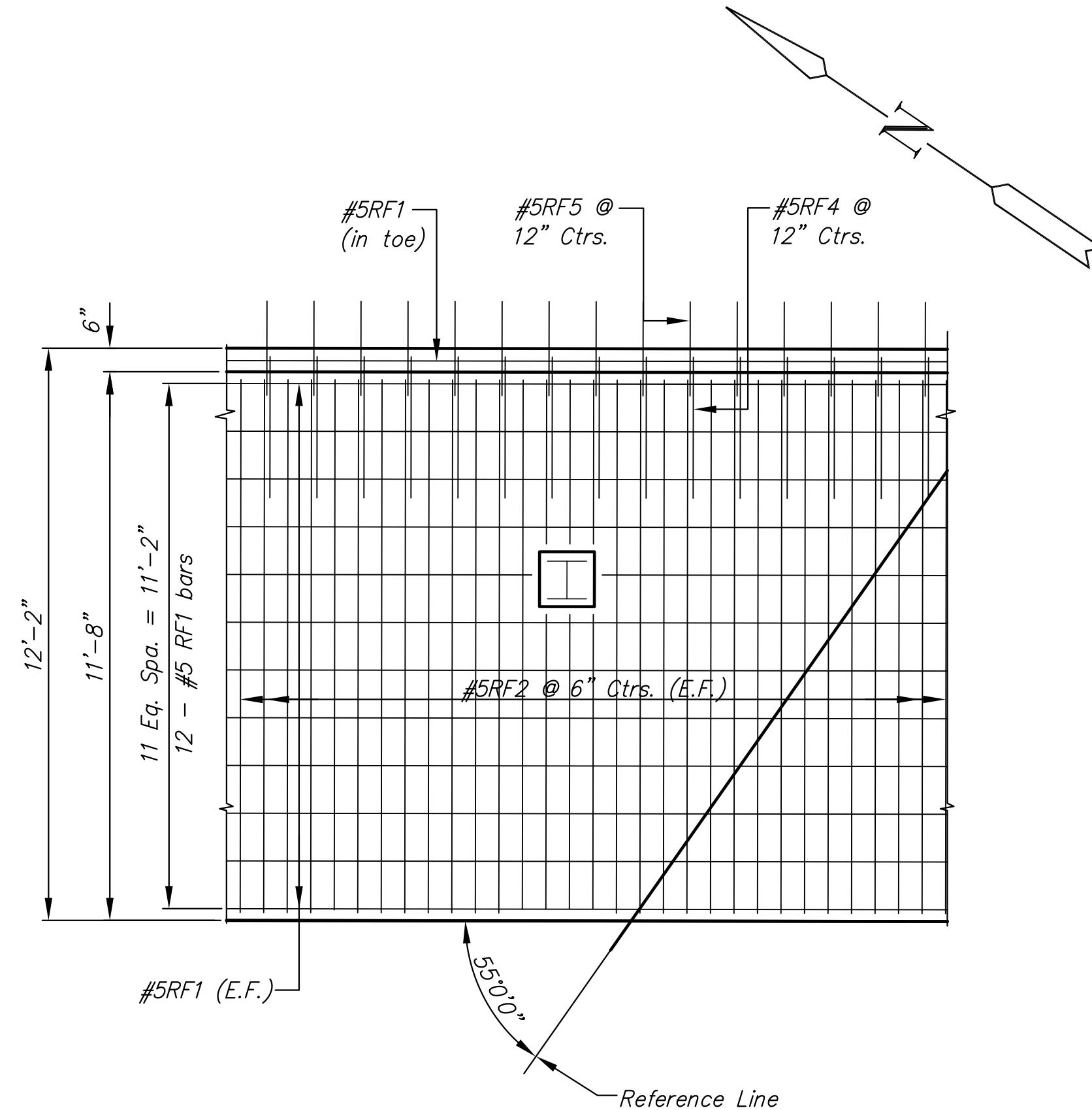
PROJECT NO.	472-84922	
DATE	04/05/2016	
SCALE	3/8"=1'-0"	
DESIGNED	HWL	
DRAWN	DPG	
CHECKED	KJS	
NO.	REVISION	DATE

SHEET NO.

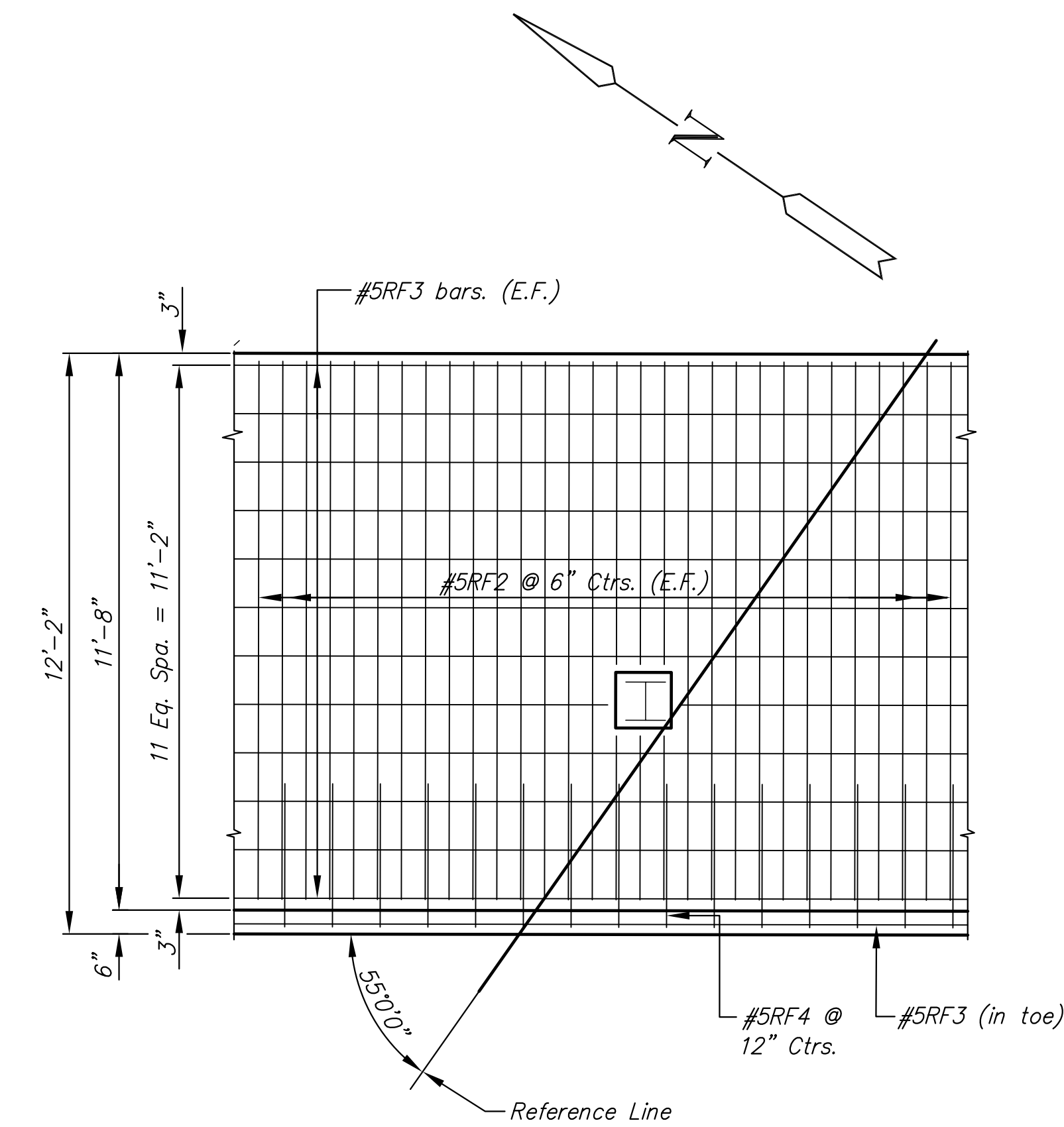
PLOT DATE: Thursday, April 05, 2016 @ 11:56AM



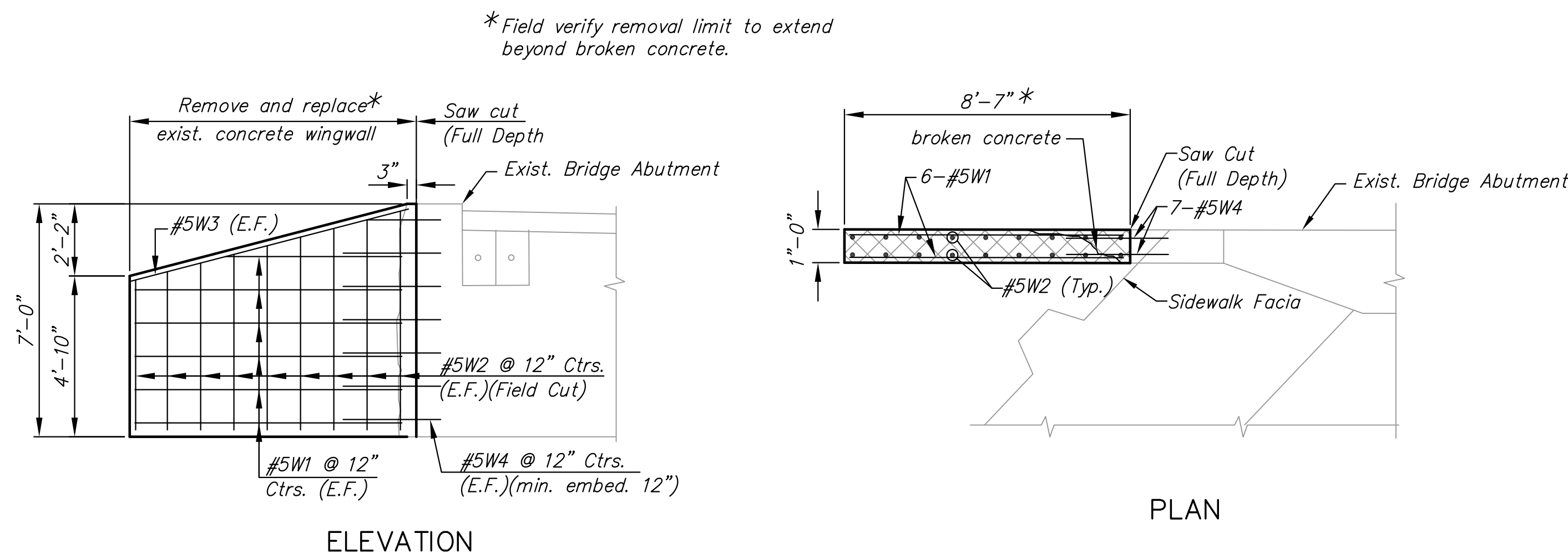
FOOTING PLAN - RETAINING WALL 'A'
WEST ABUTMENT AT 72" RCP



TYPICAL FOOTING PLAN
WEST ABUTMENT - RETAINING WALL 'A'



TYPICAL FOOTING PLAN
EAST ABUTMENT - RETAINING WALL 'B'



NORTHEAST ABUTMENT WING REPLACEMENT

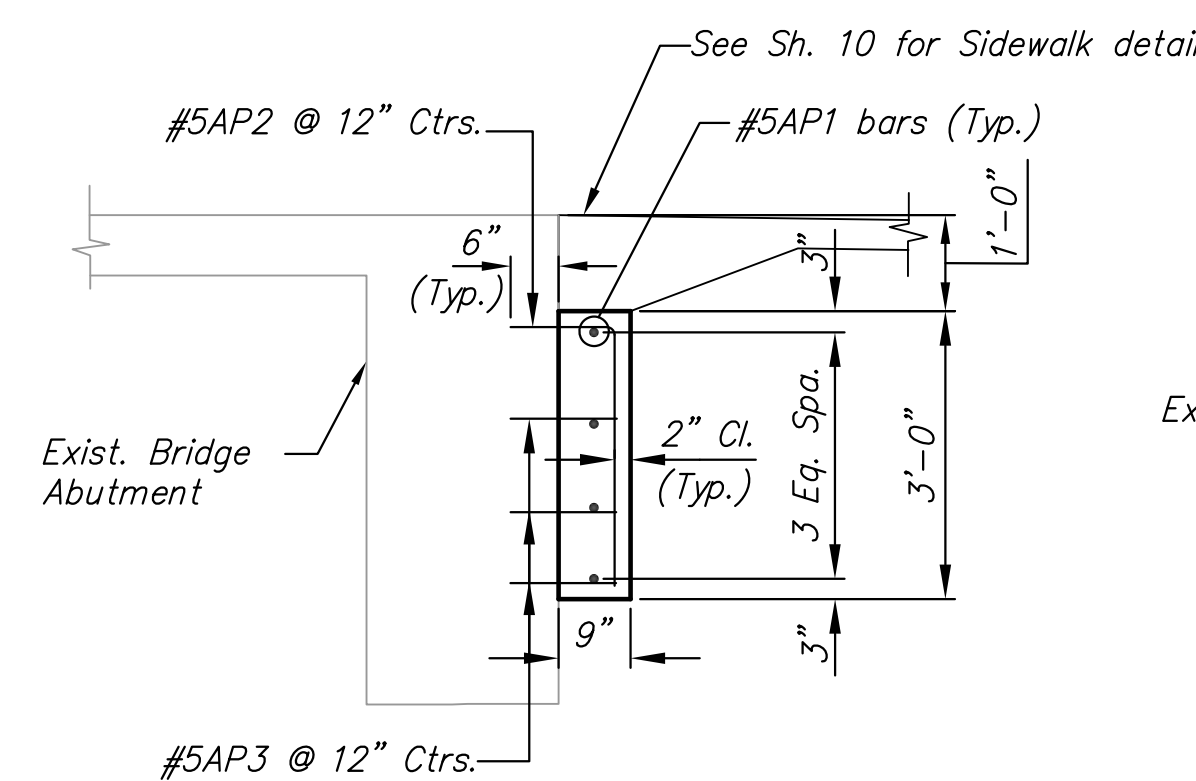
Brush, sandbrush, power wash and watersoak existing concrete surface prior to casting new concrete.

Drill and epoxy grout #5 bar into exist. abutment wing. Min. embedment 12". Use HILTI RE 500 epoxy adhesive.

All work and materials required for abutment wing repair shall be paid for as "Concrete (Grade 4.0)" and "Reinforcing Steel (Grade 60)(Epoxy Coated)".

LEGEND

 Concrete Removal



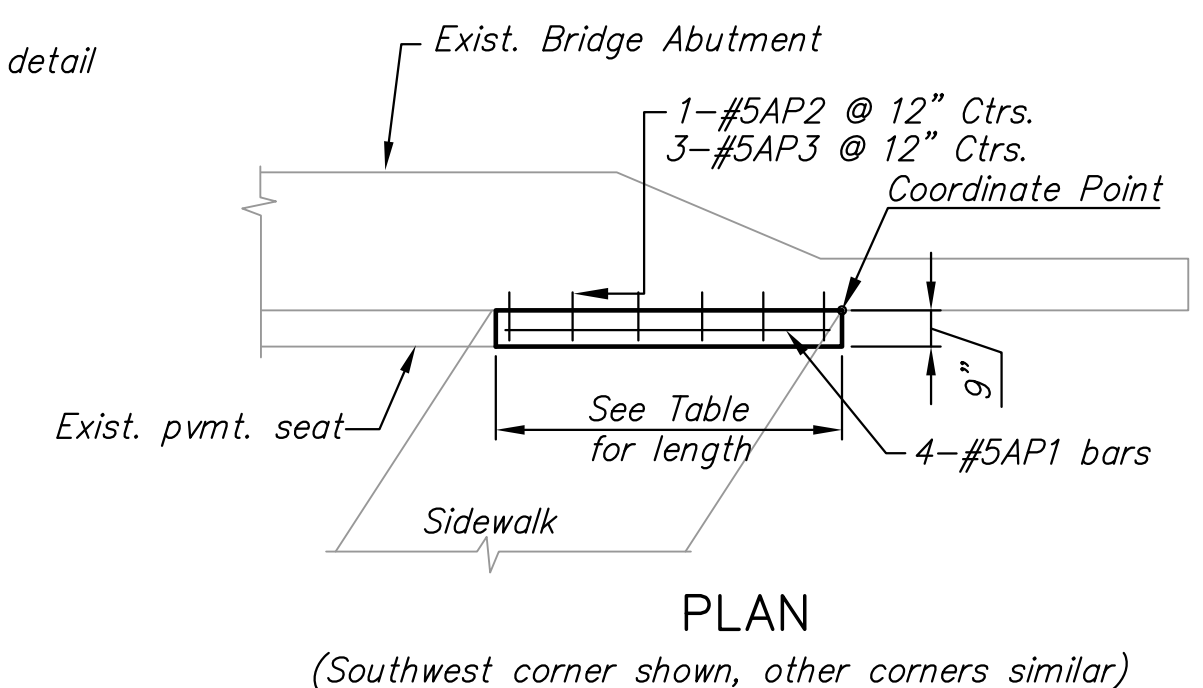
TYPICAL SECTION

TYPICAL SIDEWALK APPROACH SEAT

Brush, sandbrush, power wash and watersoak existing concrete surface prior to casting new concrete.

Drill and epoxy grout #5 bar into exist. abut. beam. Min. embedment 6". Use HILTI RE 500 epoxy adhesive.

All work and materials required for installation of the sidewalk approach seat shall be paid for as "Sidewalk Approach Seat".



PLAN
(Southwest corner shown, other corners similar)

SIDEWALK SEAT TABLE			
Location	Length	Northing	Easting
Northwest Abutment	6'-1 1/8"	1673271.296	1646206.401
Southwest Abutment	6'-5 3/8"	1673191.099	1646265.547
Northeast Abutment	4'-1 3/4"	1673268.412	1646596.387
Southeast Abutment	9'-4 1/2"	1673161.094	1646675.542

BILL OF REINFORCING STEEL (Epoxy Coated) (For Information Only)							
Straight Bars				Bent Bars			
Mark	Size	Number	Length	Mark	Size	Number	Length
Northwest Abutment							
AP1	#5	4	5'-9"	AP2	#5	7	3'-9"
AP3	#5	21	1'-1"				
Southwest Abutment							
AP1	#5	4	6'-2"	AP2	#5	7	3'-9"
AP3	#5	21	1'-1"				
Northeast Abutment							
AP1	#5	4	5'-10"	AP2	#5	7	3'-9"
AP3	#5	21	1'-1"				
Southeast Abutment							
AP1	#5	4	9'-0"	AP2	#5	10	3'-9"
AP3	#5	30	1'-1"				

S:\CH\10264\dwg\PT10264 WALL DETAIL 2.dwg