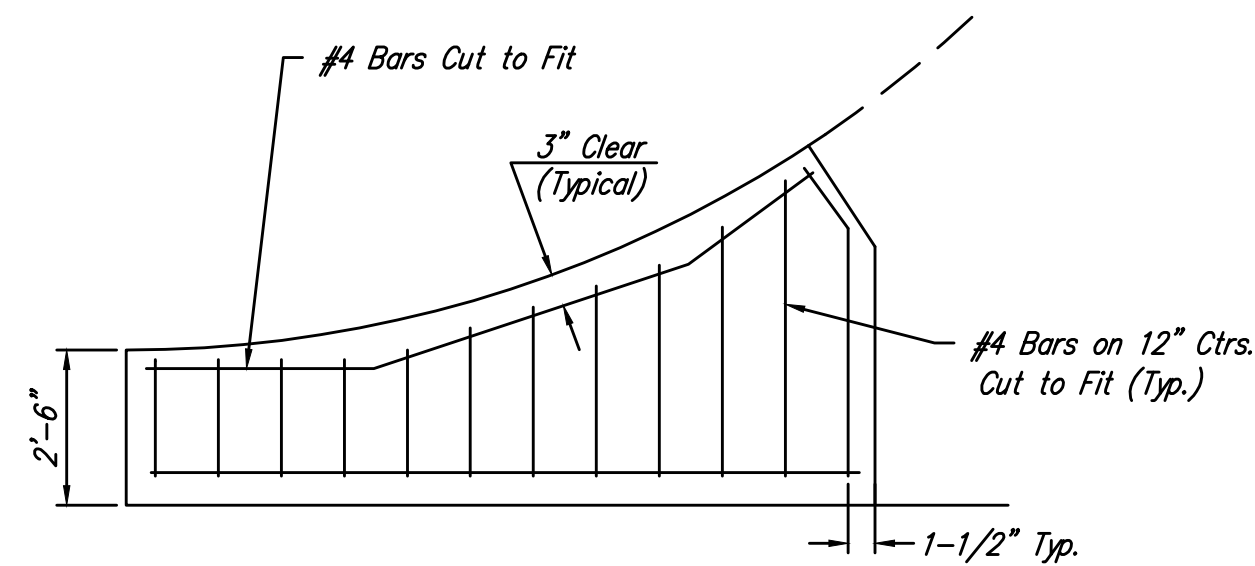
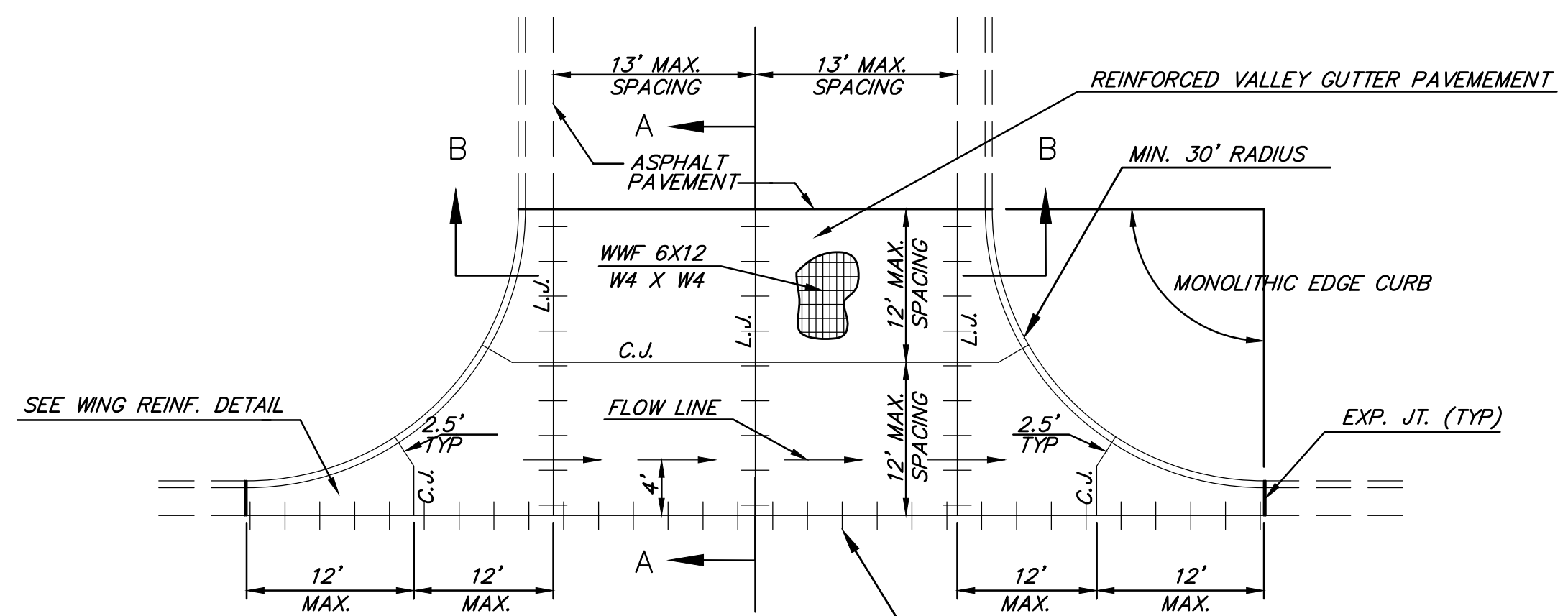


EXPANSION JOINT

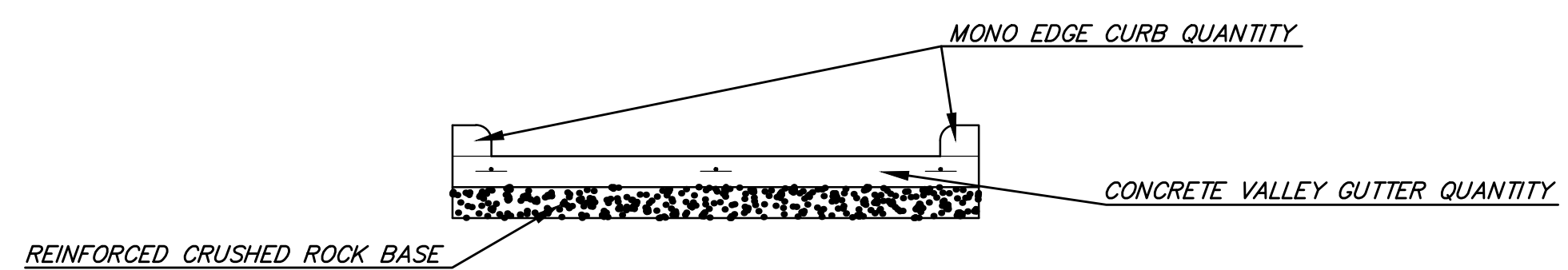
NOTE: Extra Thickness to be Subsidiary to Price of Square Yards Pavement



WING REINFORCING DETAIL

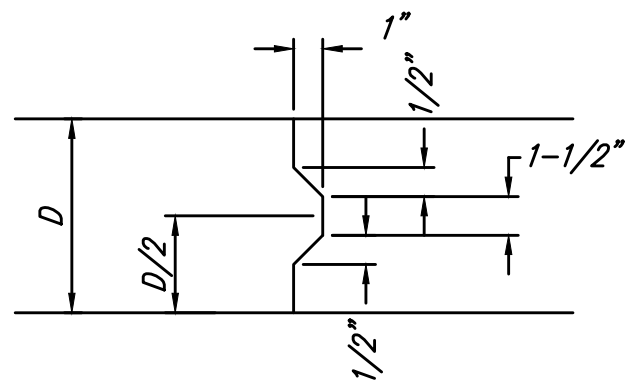


PLAN

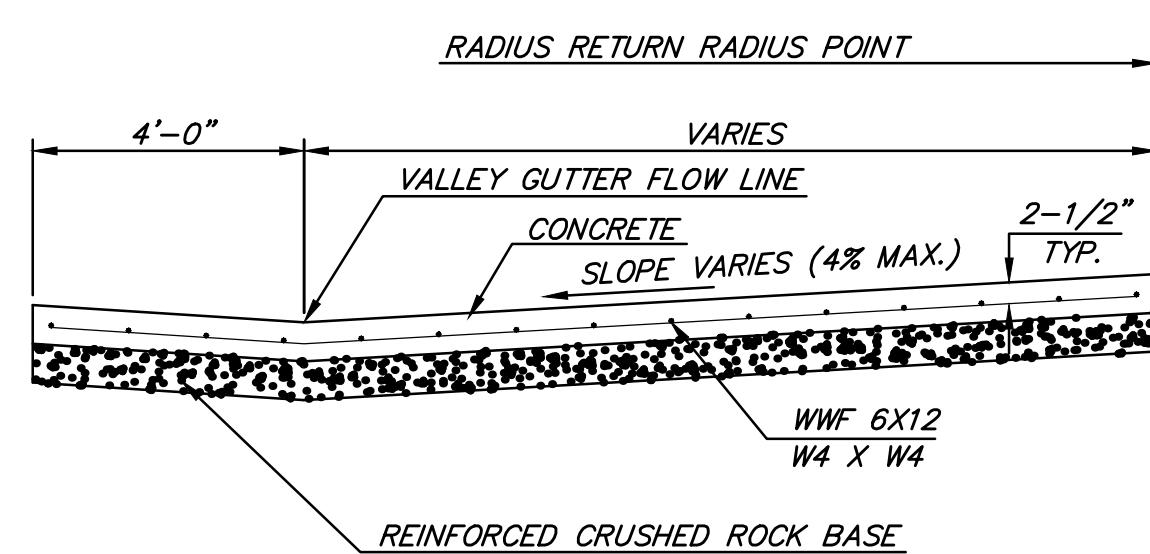


SECTION B-B

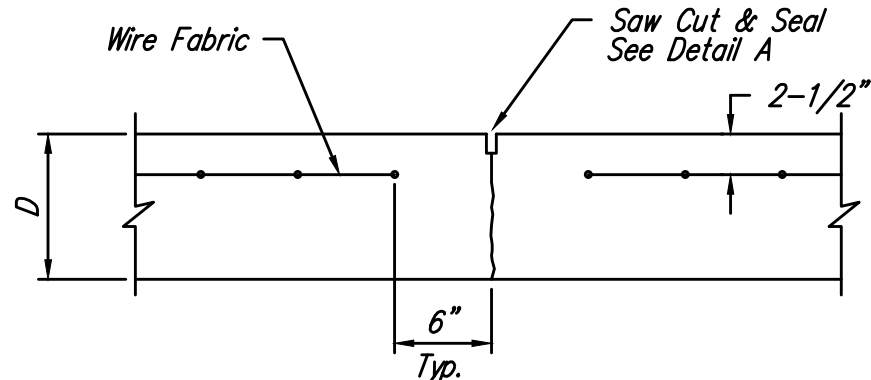
REINFORCED VALLEY GUTTER DETAIL



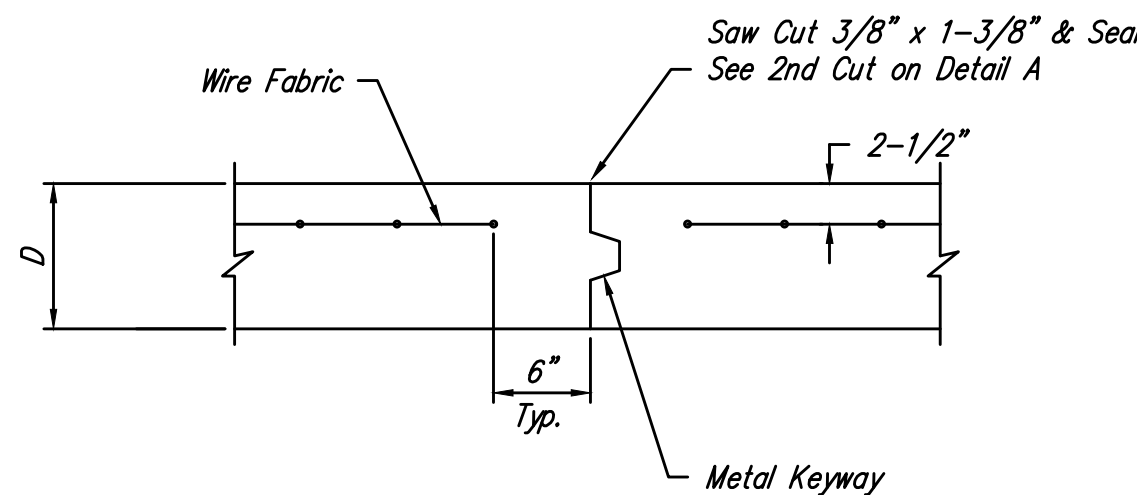
KEYWAY DETAIL



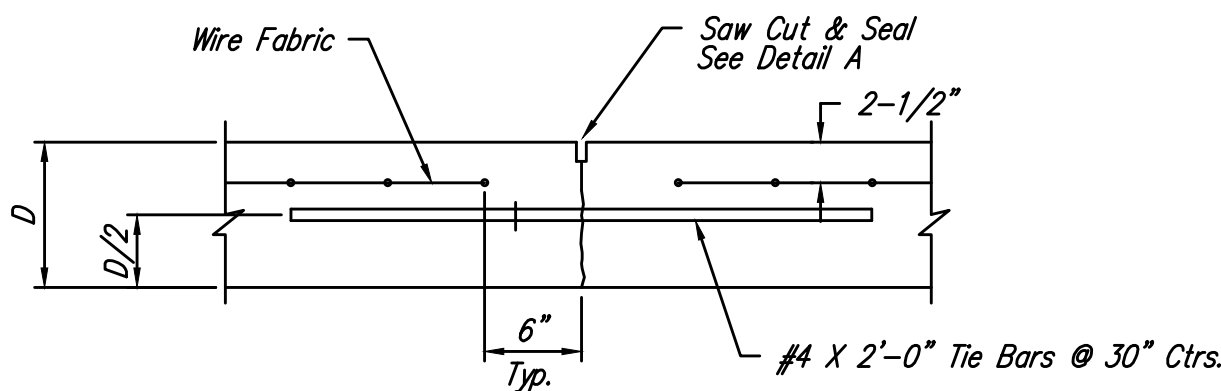
SECTION A-A



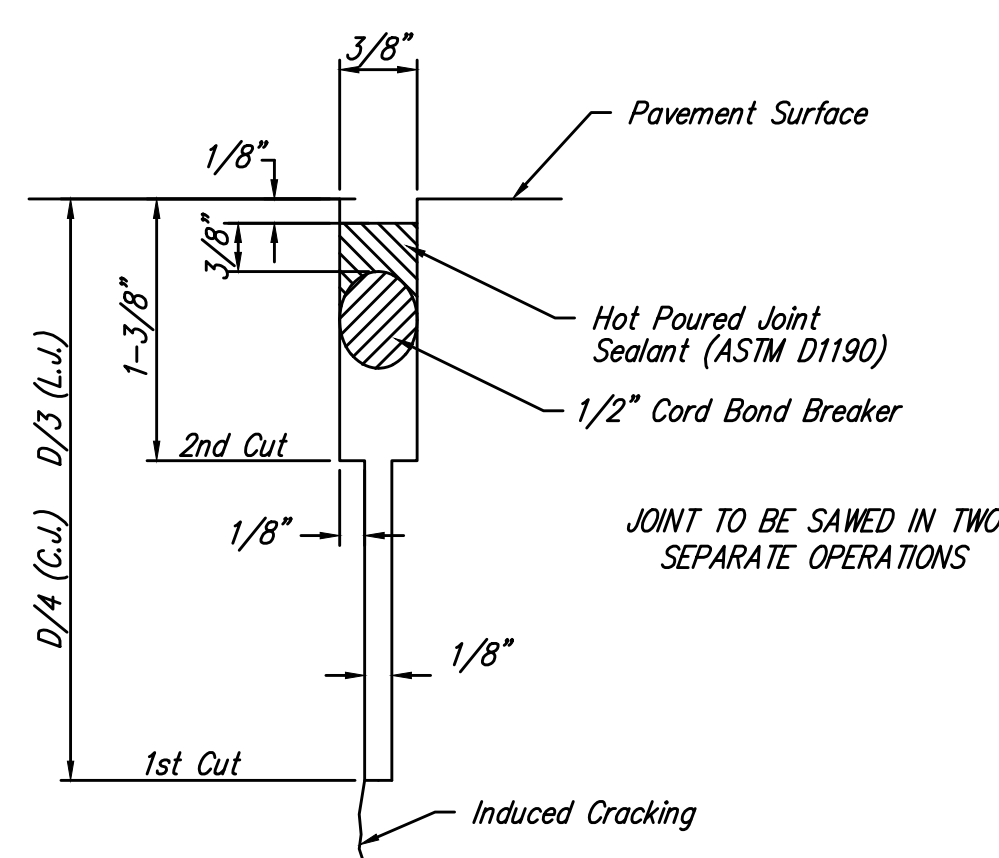
CONTRACTION JOINT DETAIL (C.J.)



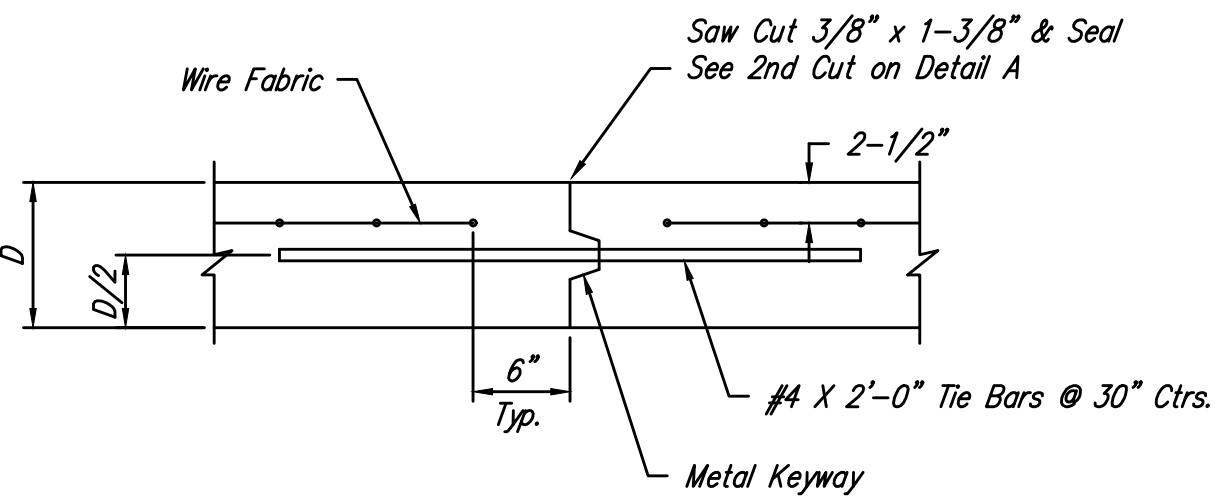
OPTIONAL CONTRACTION JOINT



LONGITUDINAL JOINT DETAIL (L.J.)



SAW JOINT DETAIL (DETAIL A)



OPTIONAL LONGITUDINAL JOINT DETAIL (L.J.)

		Blue Lake Addition-Phase 3A VALLEY GUTTER DETAILS Street Improvements	
<small>Baughman Company, P.A. 315 Ellis St. Wichita, KS 67211 P 316-262-7271 F 316-262-0149 ENGINEERING SURVEYING PLANNING LANDSCAPE ARCHITECTURE</small>			
PROJECT NUMBER 472-84076	DESIGN DMV	DRAWN DIL	DATE 5/16
REVISIONS:	APPROVED	SCALE Noted	SHEET
			5 OF 26
<small>E:\Projects\Blue Lake\Engineering\Phase 1\STR\STR_Plans.dwg</small>			