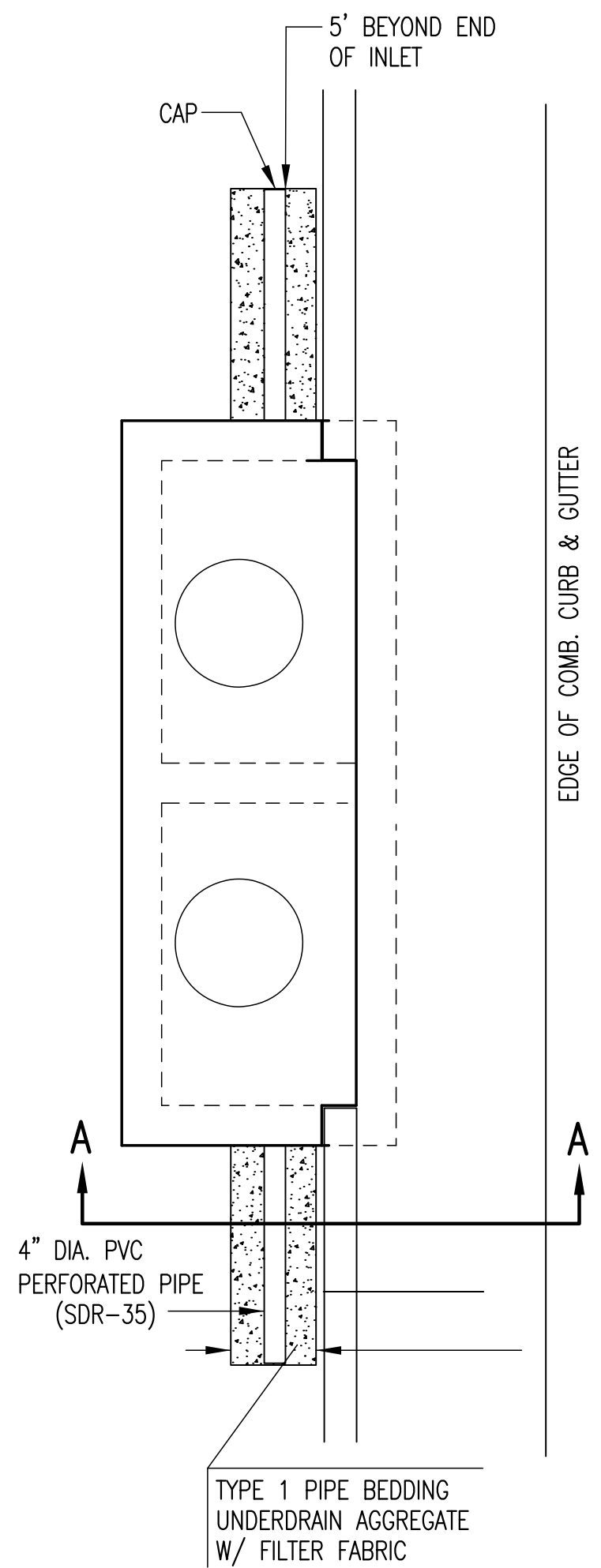
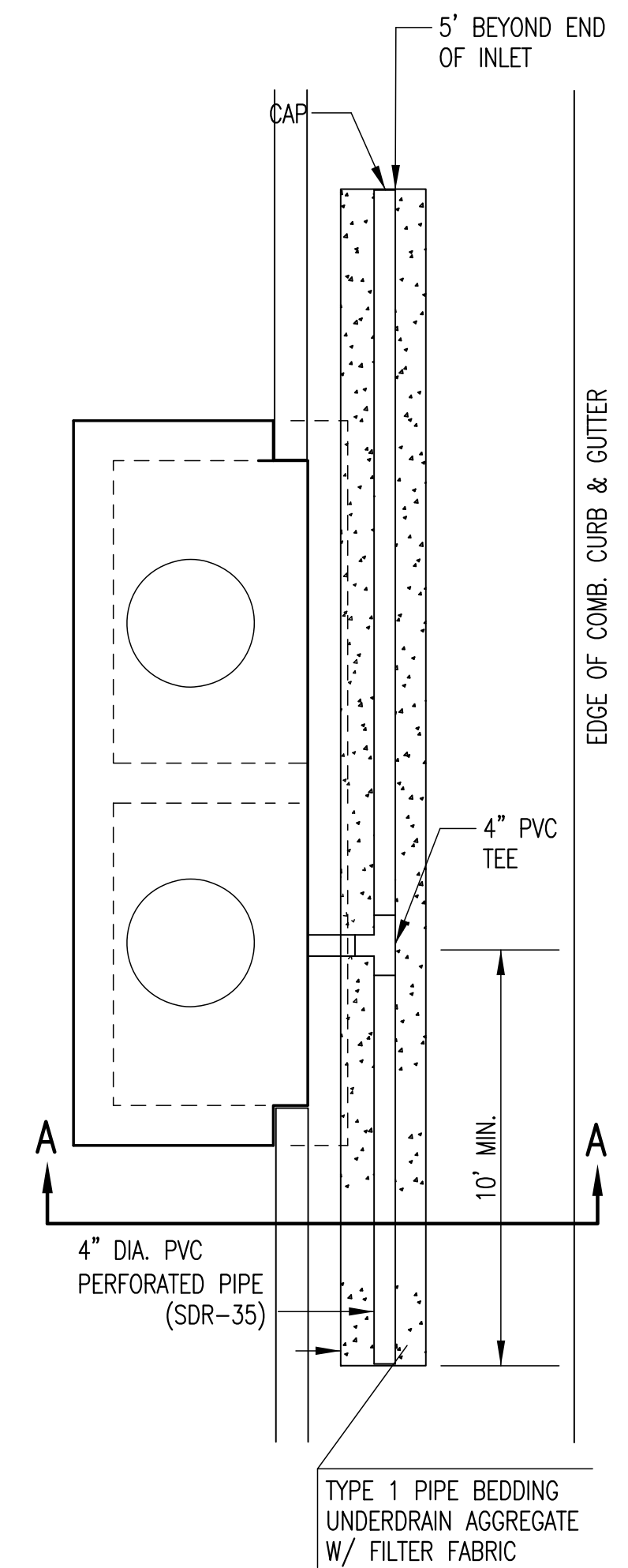


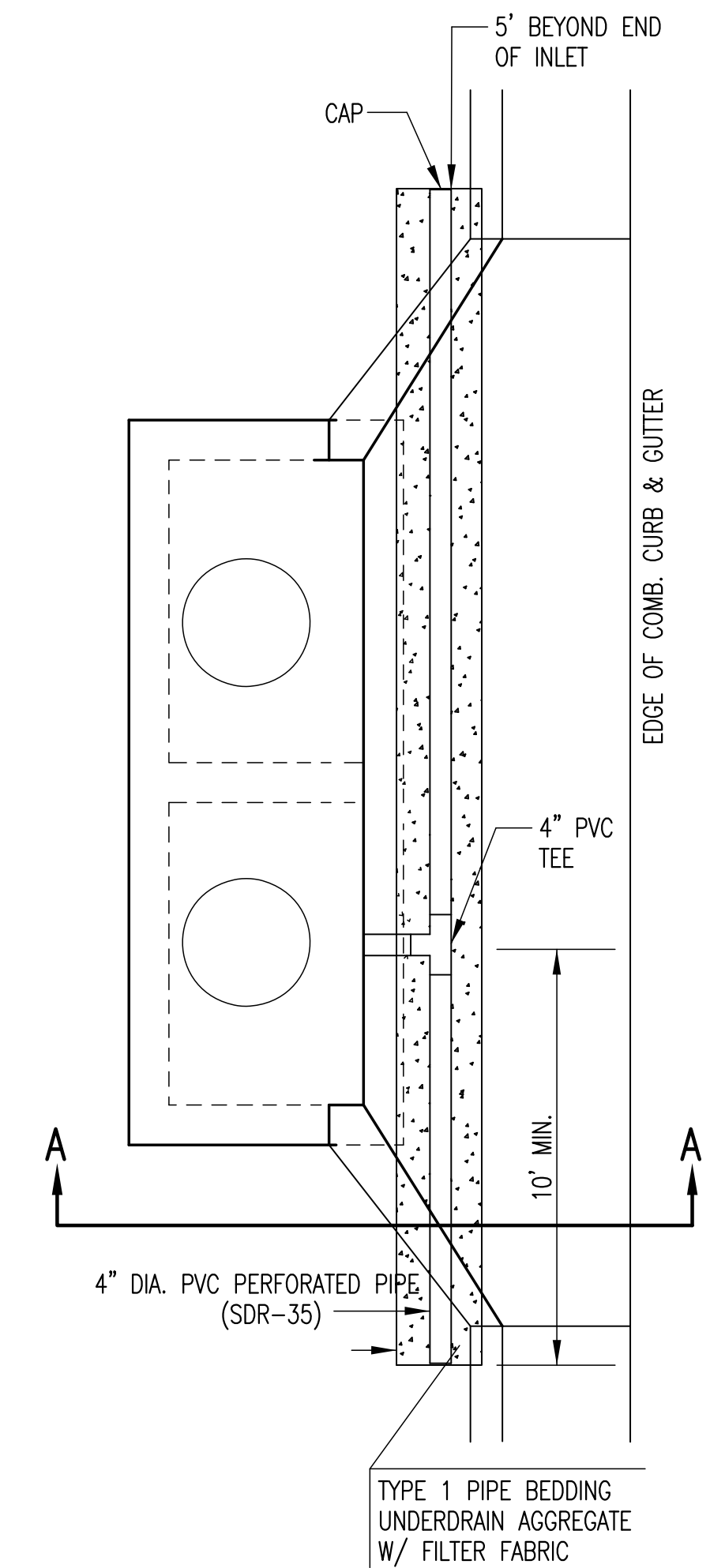
PAVEMENT UNDERDRAIN SHALL BE INSTALLED ON ALL CURB INLETS.



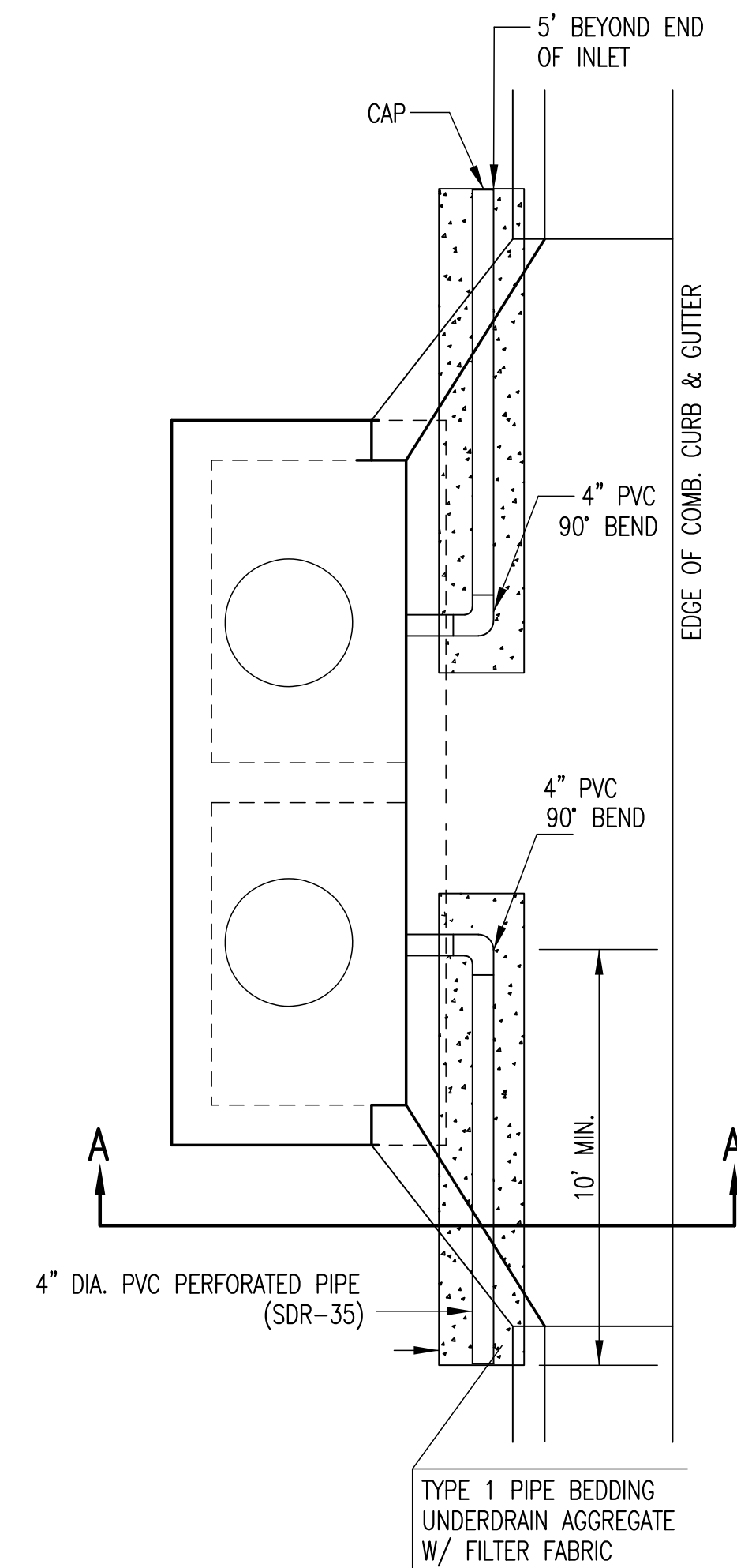
**TYPE 1  
OPTION 1**



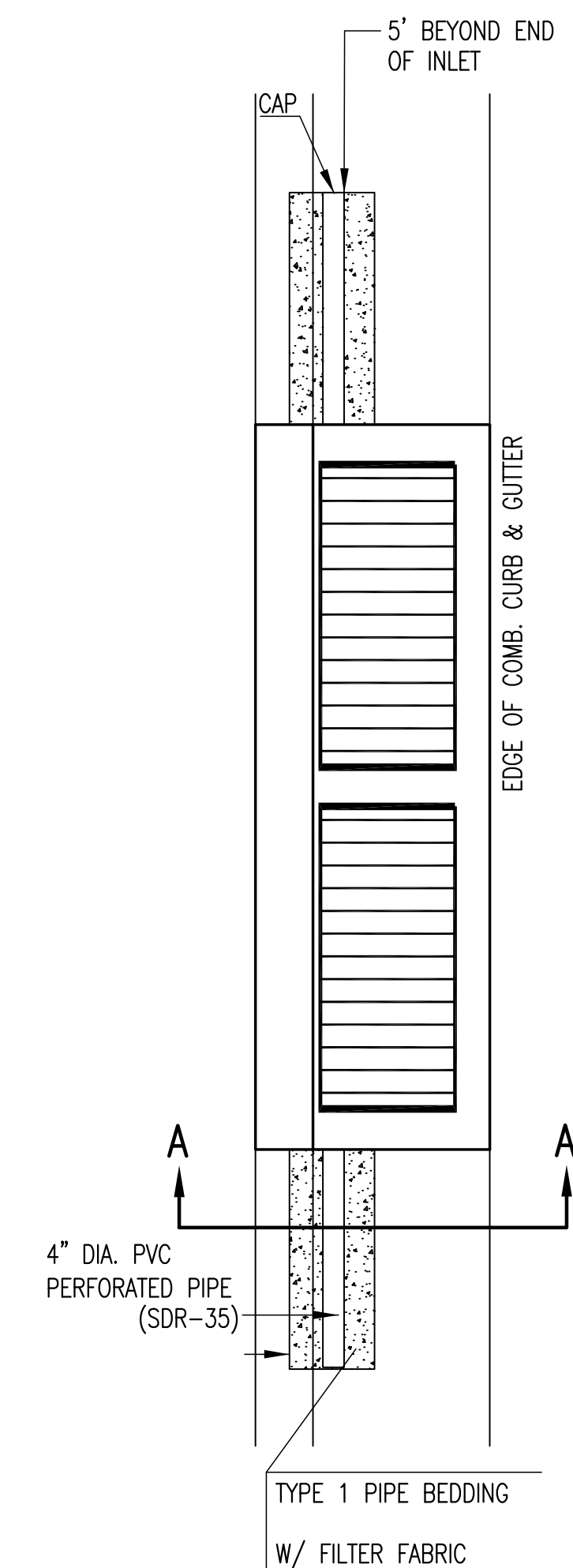
**TYPE 1  
OPTION 2**



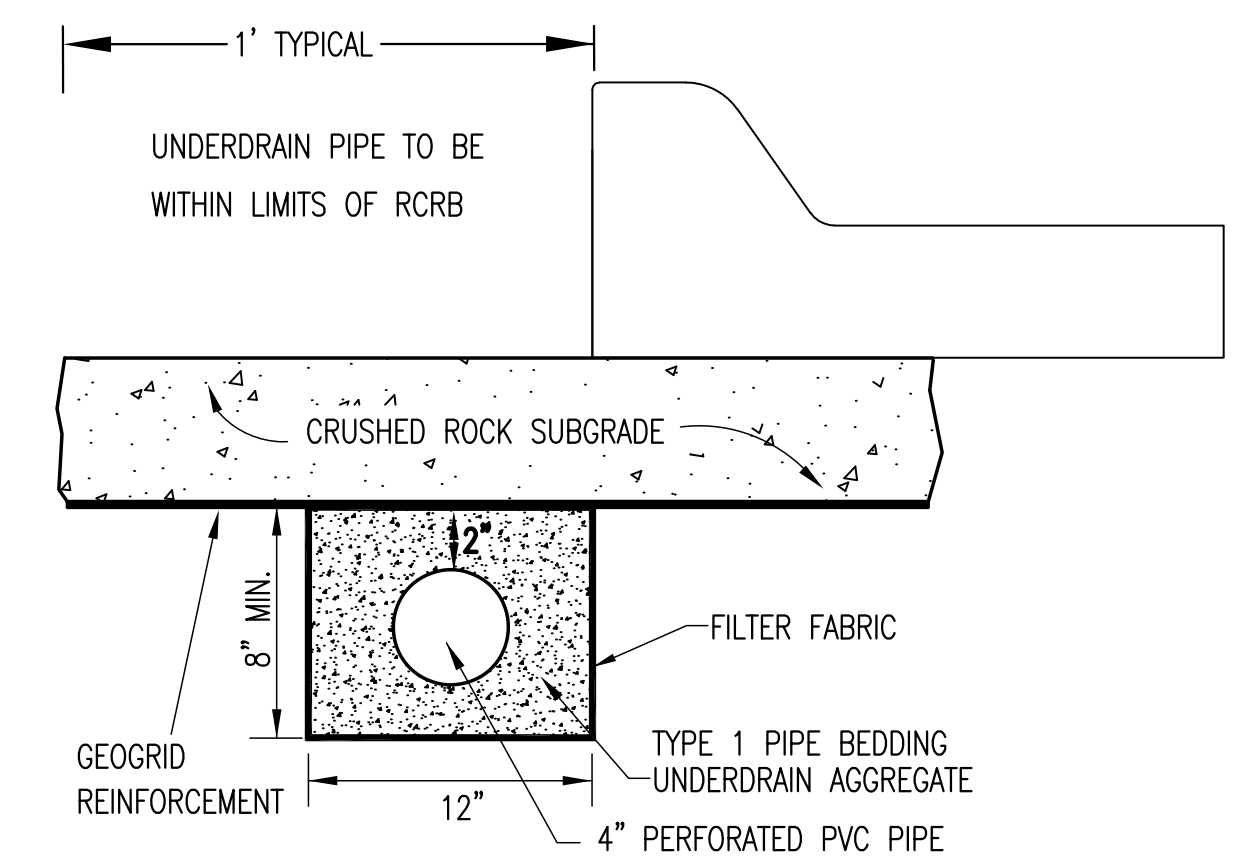
**TYPE 1-A INLET  
OPTION 1**



**TYPE 1-A INLET  
OPTION 2**



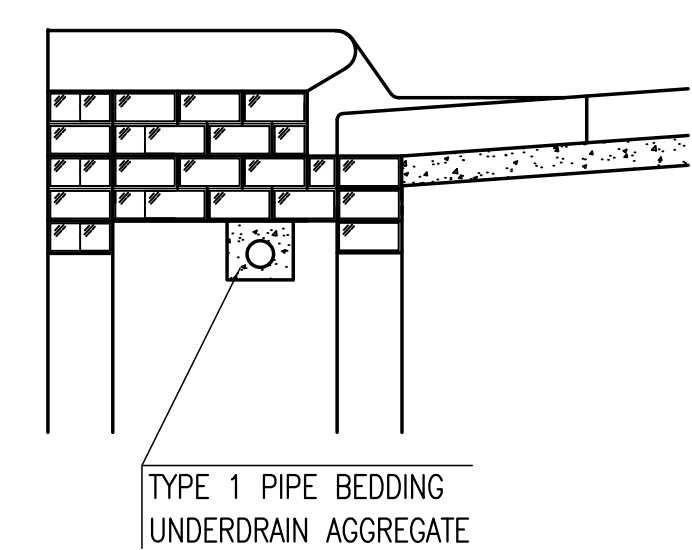
**TYPE 2**



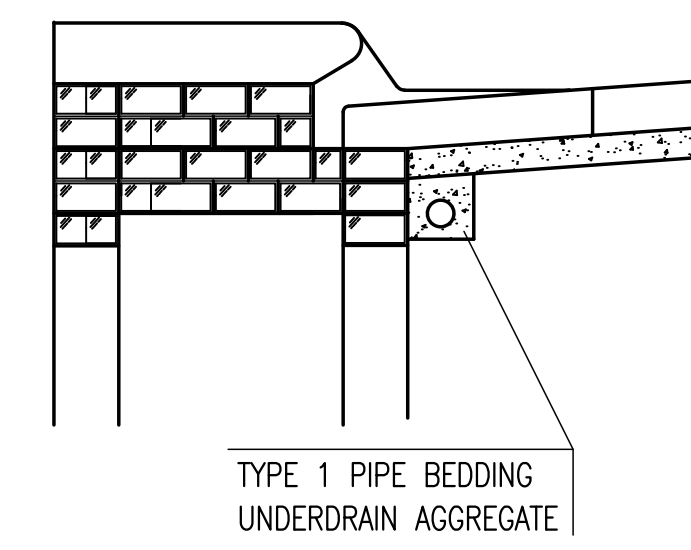
**SECTION A-A (TYPICAL)**

**GENERAL NOTES**

1. PAVEMENT CONTRACTOR WILL BE REQUIRED TO INSTALL SDR 35, 4" PERFORATED DRAIN PIPE AND TEE AS INDICATED IN THE DETAILS.
2. WHEN SWS CONSTRUCTED BY SEPARATE PROJECT, SWS CONTRACTOR SHALL INSTALL SDR 35, 4" DRAIN PIPE STUB ONLY THROUGH WALLS OF CURB INLETS AND CAP TO ALLOW FUTURE CONNECTION OF TEE AND ADDITIONAL DRAIN PIPE BY OTHERS.
2. UNDERDRAIN PIPE SHALL BE PAID AS A MEASURED QUANTITY BY THE LINEAL FOOT.



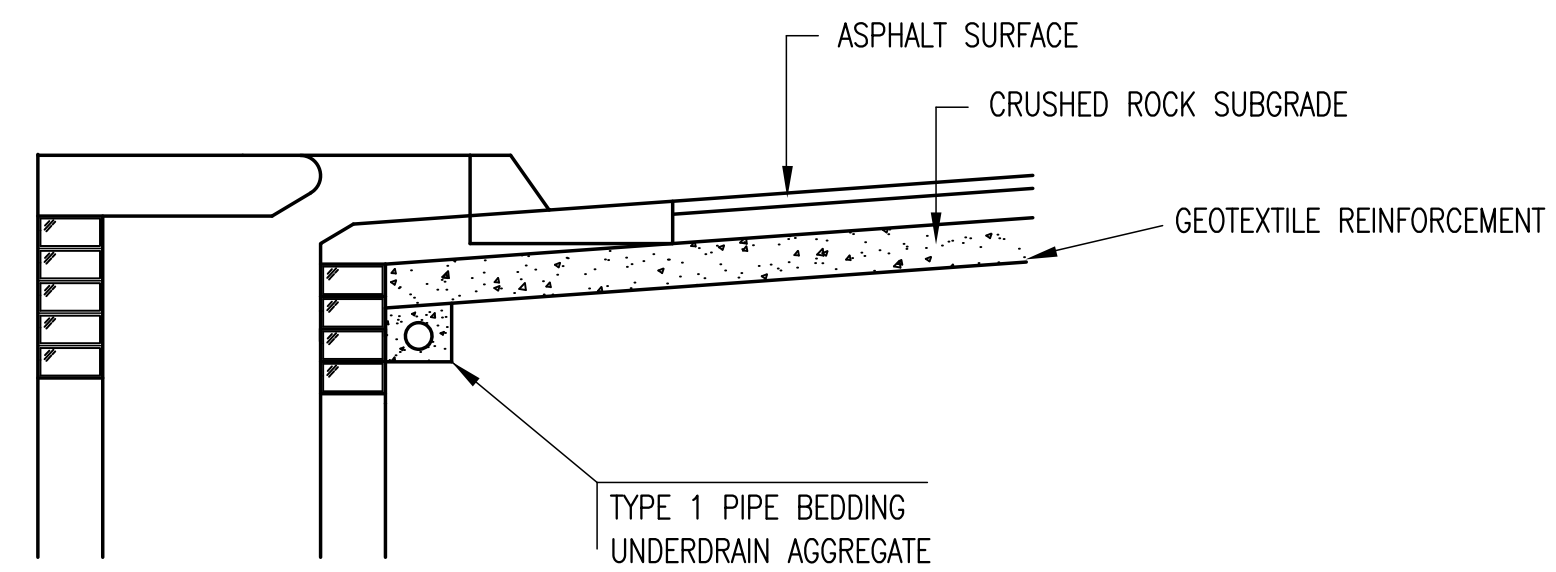
TYPE 1 PIPE BEDDING  
UNDERDRAIN AGGREGATE



TYPE 1 PIPE BEDDING  
UNDERDRAIN AGGREGATE

(MIN. 16 PERFORATIONS PER LIN. FT. @ 1/4" DIA.)  
PERFORATIONS TO BE ON BOTTOM HALF

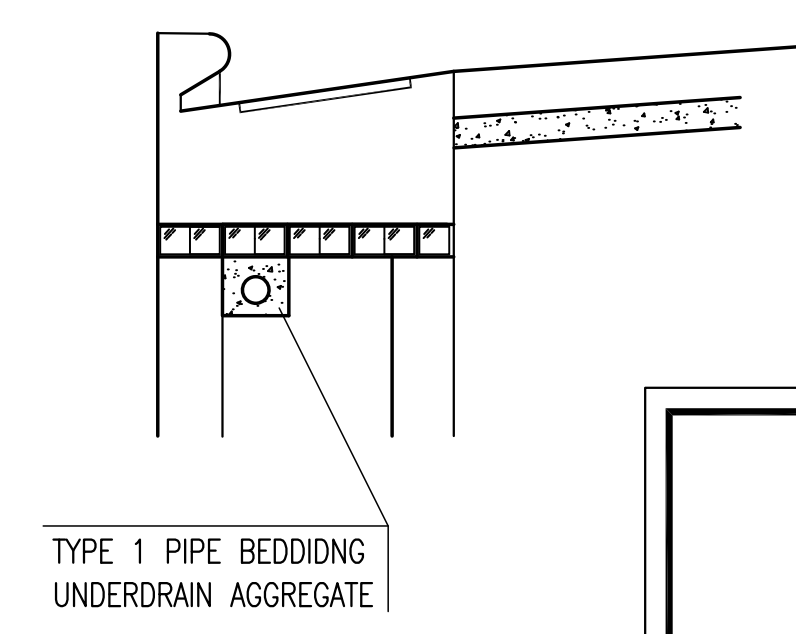
**SECTION A-A**



**SECTION A-A**

**PAVEMENT UNDERDRAIN DETAIL**

BID ITEM TO BE PROVIDED PER 4" PERFORATED UNDERDRAIN PIPE.



TYPE 1 PIPE BEDDING  
UNDERDRAIN AGGREGATE

**SECTION A-A**

**CITY OF  
WICHITA**  
PUBLIC WORKS & UTILITIES  
ENGINEERING DIVISION

<b>CURB INLET PAVEMENT UNDERDRAIN DETAIL</b>		
CITY ENGINEER <b>GARY JANZEN, P.E.</b>		
PROJECT NUMBER 472-85104	OCA NUMBER 766369	DATE 10/2012
CITY ENGINEER'S OFFICE CITY HALL - SEVENTH FLOOR 455 NORTH MAIN STREET WICHITA, KANSAS 67202-1620 (316) 268-4501		SHEET <b>6 OF 24</b>