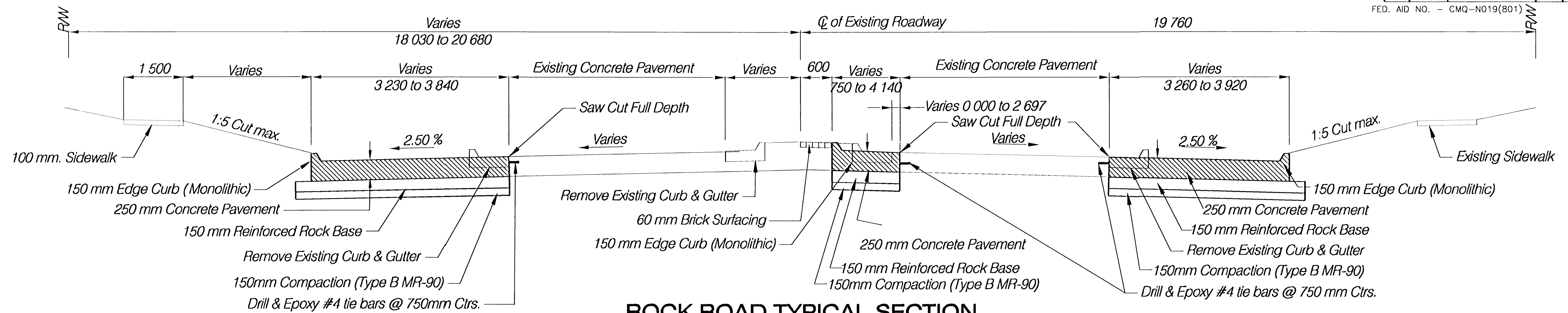
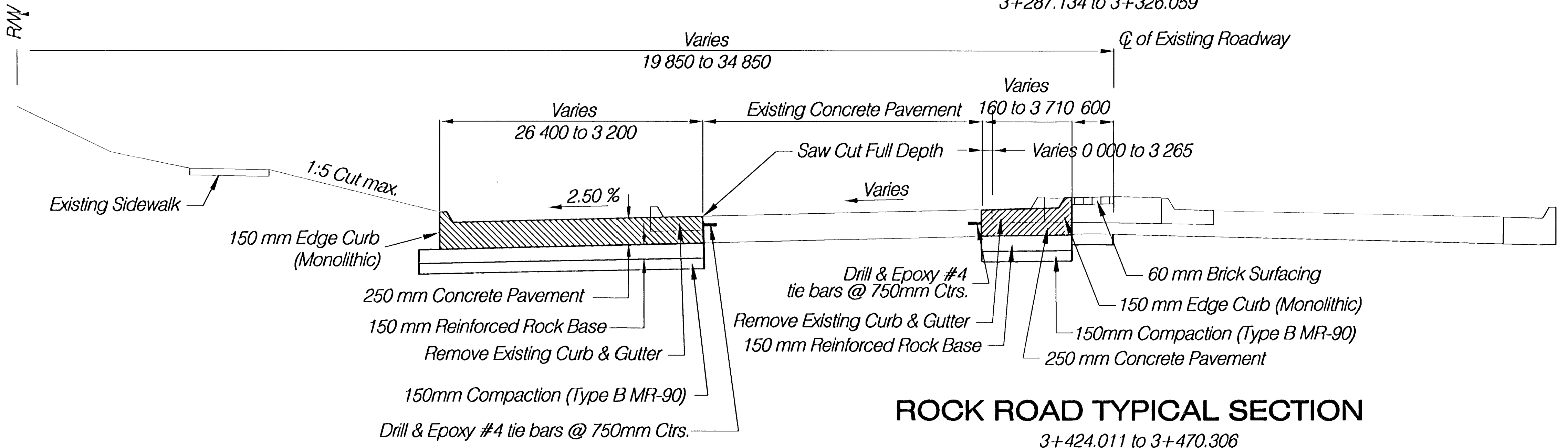


FHWA REG NO.	STATE	PROJECT NO.	YEAR	SHEET NO.	TOTAL SHEETS
7	KANSAS	87 N-0198-01	2001	4	82

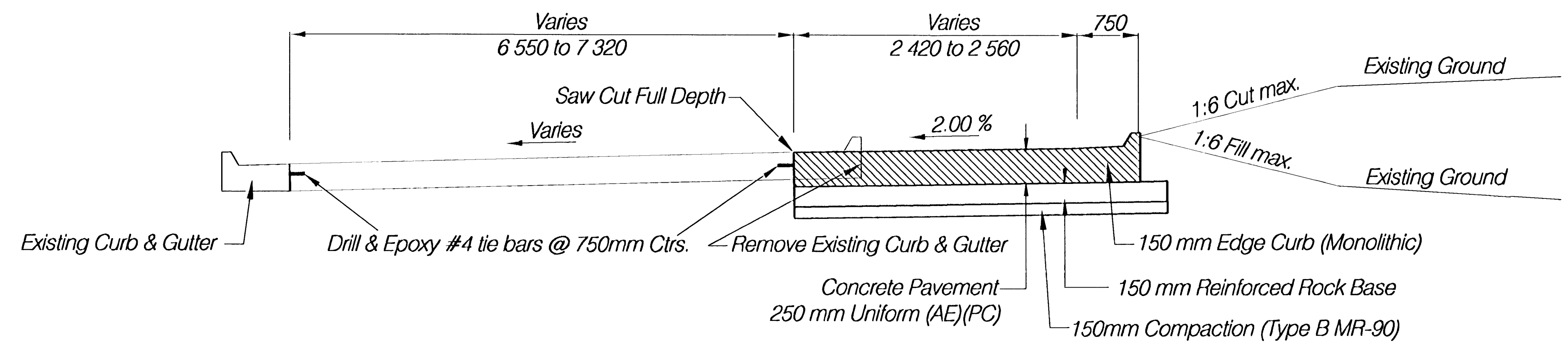
FED. AID NO. - CMQ-N019(801)



**ROCK ROAD TYPICAL SECTION**  
3+287.134 to 3+326.059



**ROCK ROAD TYPICAL SECTION**  
3+424.011 to 3+470.306



**K-96 OFF RAMP TYPICAL SECTION**  
49+886.030 to 49+988.100

**ROCK ROAD**  
**TYPICAL SHEET**

**HWS** Consulting Group Inc.

Manhattan Office  
3206 Kimball Avenue  
Manhattan, KS 66503  
Phone: (785) 539-2202  
Fax: (785) 539-2393

Designed By: JJF  
Checked By: JDM  
Drawn By: GEW  
Date: \_\_\_\_\_  
Job No. 55-70-2003