

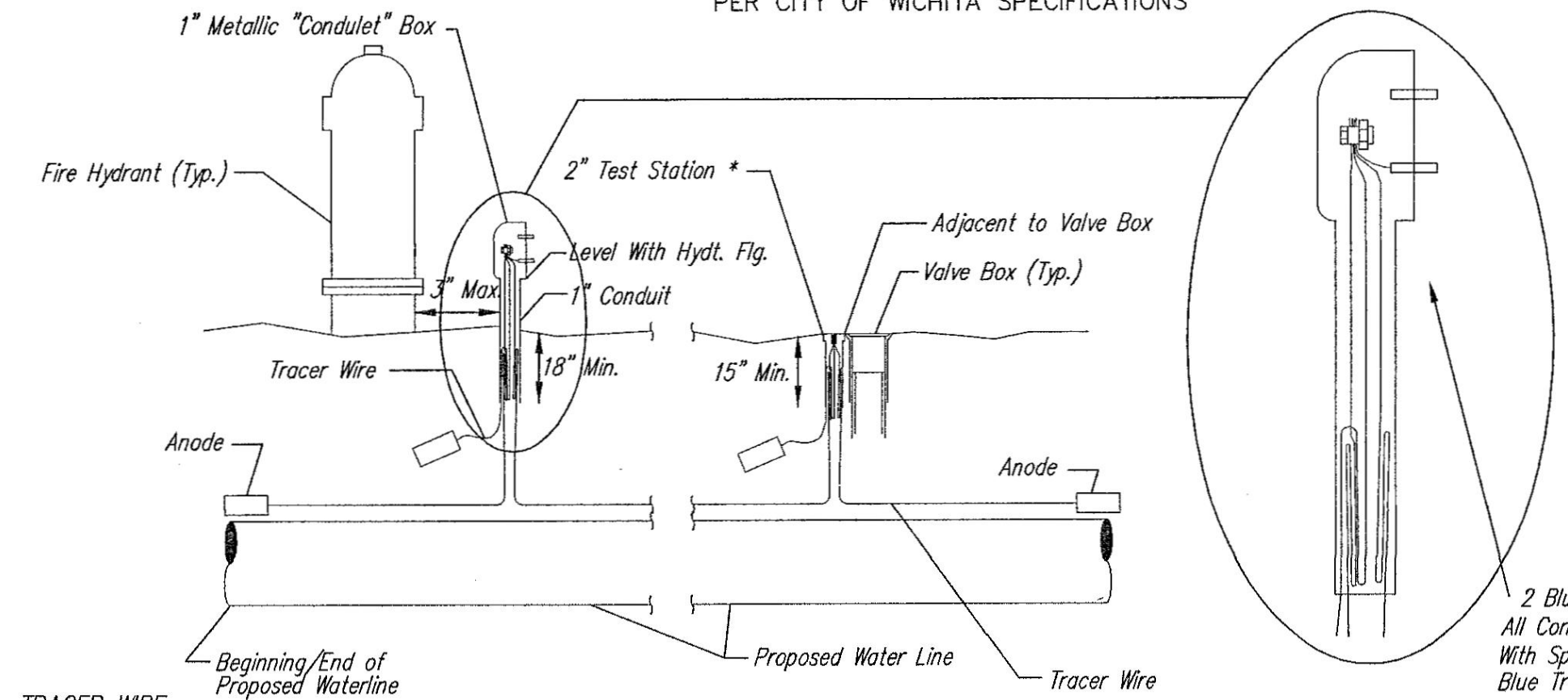
**MATERIALS LIST**  
 1- MJ ANCHOR TEE OR TANGENTIAL OUTLET (6" x 6")  
 1- 6" MJ GATE VALVE  
 1- 6" VALVE BOX AND VALVE STEM EXTENSION IF REQUIRED \*  
 6" DJCL SJ PIPE (LENGTH VARIABLE)  
 1- FIRE HYDRANT  
 1- 6" ANCHOR COUPLING\*  
 2- 90° BENDS\*  
 6" DJCL PIPE WITH ADEQUATE JOINT RESTRAINT \*  
 CONCRETE BLOCKING (AS REQUIRED)  
 RIVER WASHED PEA GRAVEL (AS REQUIRED)

\* IF THE REQUIRED HYDRANT BURY IS IN EXCESS OF 5', BUT LESS THAN 7', CONTRACTOR SHALL USE STANDARD 5' HYDRANT BURY AND HYDRANT BARREL EXTENSIONS AS NECESSARY. IF THE REQUIRED HYDRANT BURY IS GREATER THAN 7', CONTRACTOR SHALL USE 5' HYDRANT BURY, 2-MJ 90° BENDS, 6" ANCHOR COUPLING AND 6" DJCL PIPE AS NECESSARY FOR VERTICAL ADJUSTMENT. THE CONTRACTOR SHALL PROVIDE ADEQUATE THRUST BLOCKING AT HYDRANT AND MEAGALUGS, OR SIMILAR RESTRAINT BETWEEN 90° BENDS TO SECURE ALL FITTINGS DURING TESTING AND OPERATION. THE CONTRACTOR SHALL PROVIDE A VALVE STEM EXTENSION PER DETAIL THIS SHEET.

\*\* CAUTION: WEEP HOLES TO BE KEPT CLEAR DURING CONSTRUCTION AND BACKFILL. CONCRETE FOR THRUST BLOCKING SHALL NOT OBSTRUCT WEEP HOLES. PLACE 1 CUBIC FOOT OF RIVER WASHED PEA GRAVEL AROUND EACH WEEP HOLE.

# CONCRETE THRUST BLOCKING SHALL BE KEPT CLEAR OF BOLTS, NUTS, AND MJ ACCESSORIES.

**FIRE HYDRANT ASSEMBLY**  
 PER CITY OF WICHITA SPECIFICATIONS

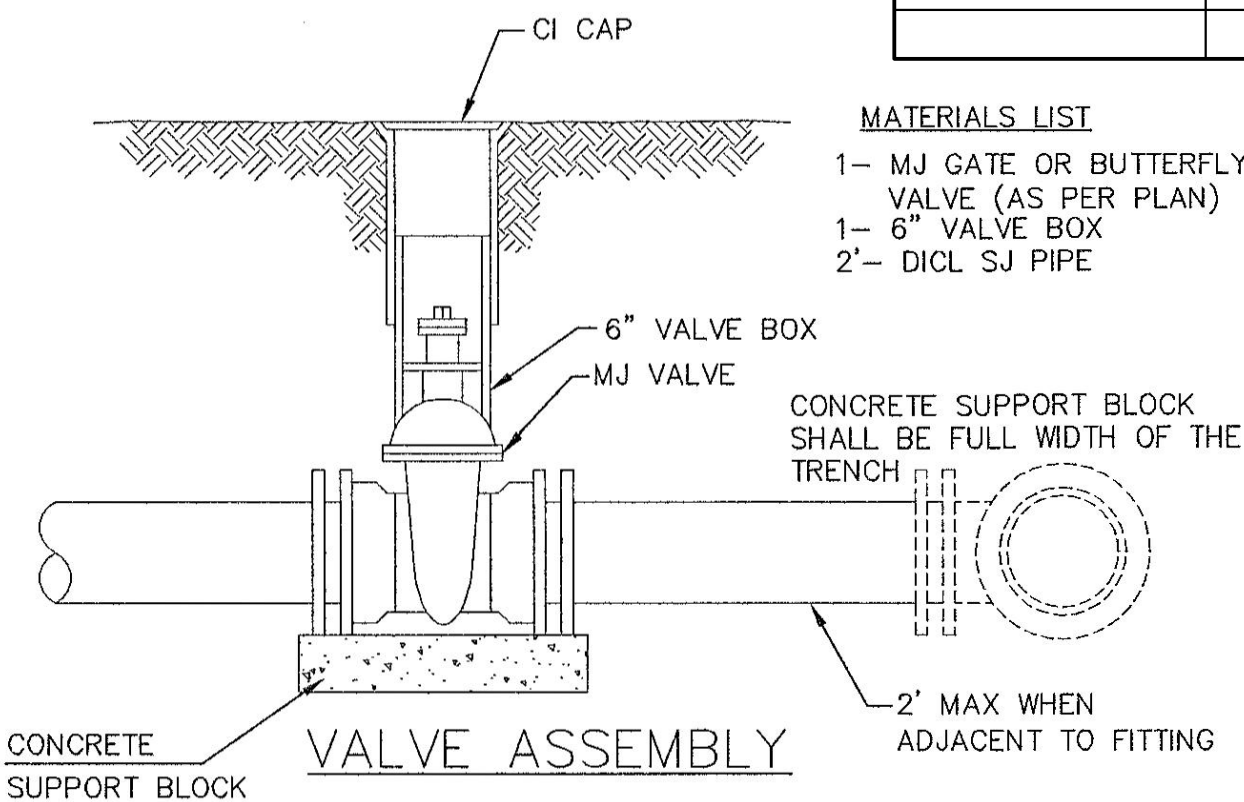


**TRACER WIRE**  
 Conductive type pipe locator/tracer wire shall be installed to locate all waterline pipe regardless of pipe material. The wire shall extend the entire length of the proposed pipe. The wire shall be taped to the waterline and pulled with the pipe. A waterproof connector shall be used at splice locations. Test stations shall be installed adjacent to all fire hydrants along the waterline and at blowoffs or valves near the ends of waterlines. Any exception to the location shall be approved by the engineer. At each test station, the tracer wire shall be connected to a 3 lb. Zinc or magnesium anode. Anodes shall also be attached to the tracer wire at both the beginning and the end of the proposed waterline. A typical layout of the tracer wire and test station is provided in the above figure.

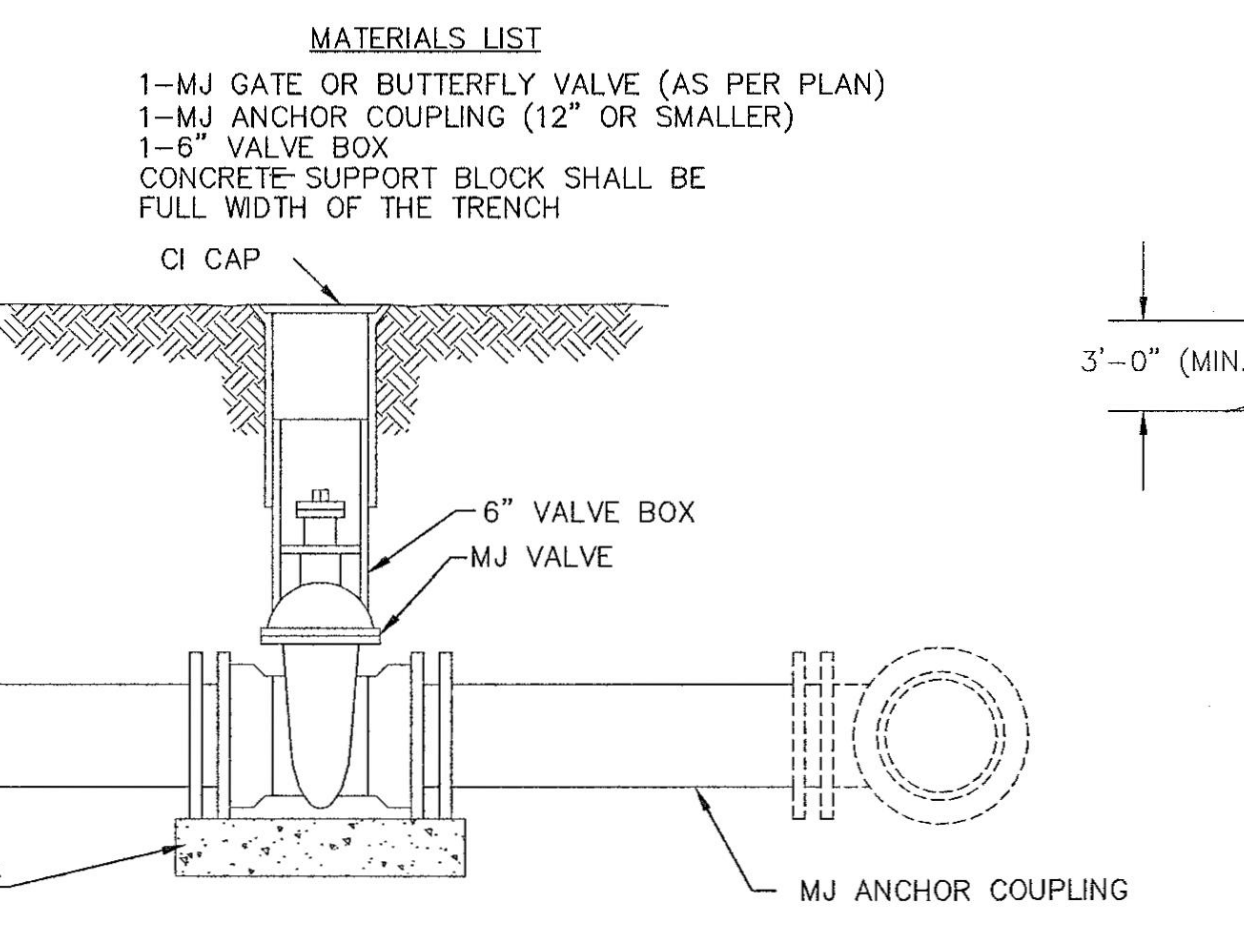
**TEST STATIONS**  
 A complete list of approved Tracer Wire can be found on City of Wichita's website at [www.wichita.gov](http://www.wichita.gov). The test station for fire hydrant applications shall be a 1 inch galvanized "condulet" style test station as manufactured by AGRA Industries with a removable solid cover having two leads extending from the face or approved equal. The test station for valve applications shall be 2 inch flush style test station T2PS3B as manufactured by HANDLEY Industries or approved equal. The "conduit" style test station shall be attached to a 1 inch rigid galvanized conduit with a minimum length of 36" and plastic end bushing. The flush style shall have the word "WATER" stamped or molded into the lid. All test stations shall be manufactured using molded blue tops or sufficiently coated with blue enamel paint. The tracer wire and the anode wire shall be installed to allow 10 inches of wire within the test station. In concrete environments such as sidewalks or in the downtown area the contractor shall use the flush style test station. The location of all test stations shall be approved by the engineer, recorded, and shown in the as-built drawings.

**ANODES**  
 The anodes shall be 3 lb. bare zinc or magnesium. The anodes shall be buried at the same elevation as the waterline at each test station. The anodes shall be connected to 12 AWG ccs which shall be extended to the test station.

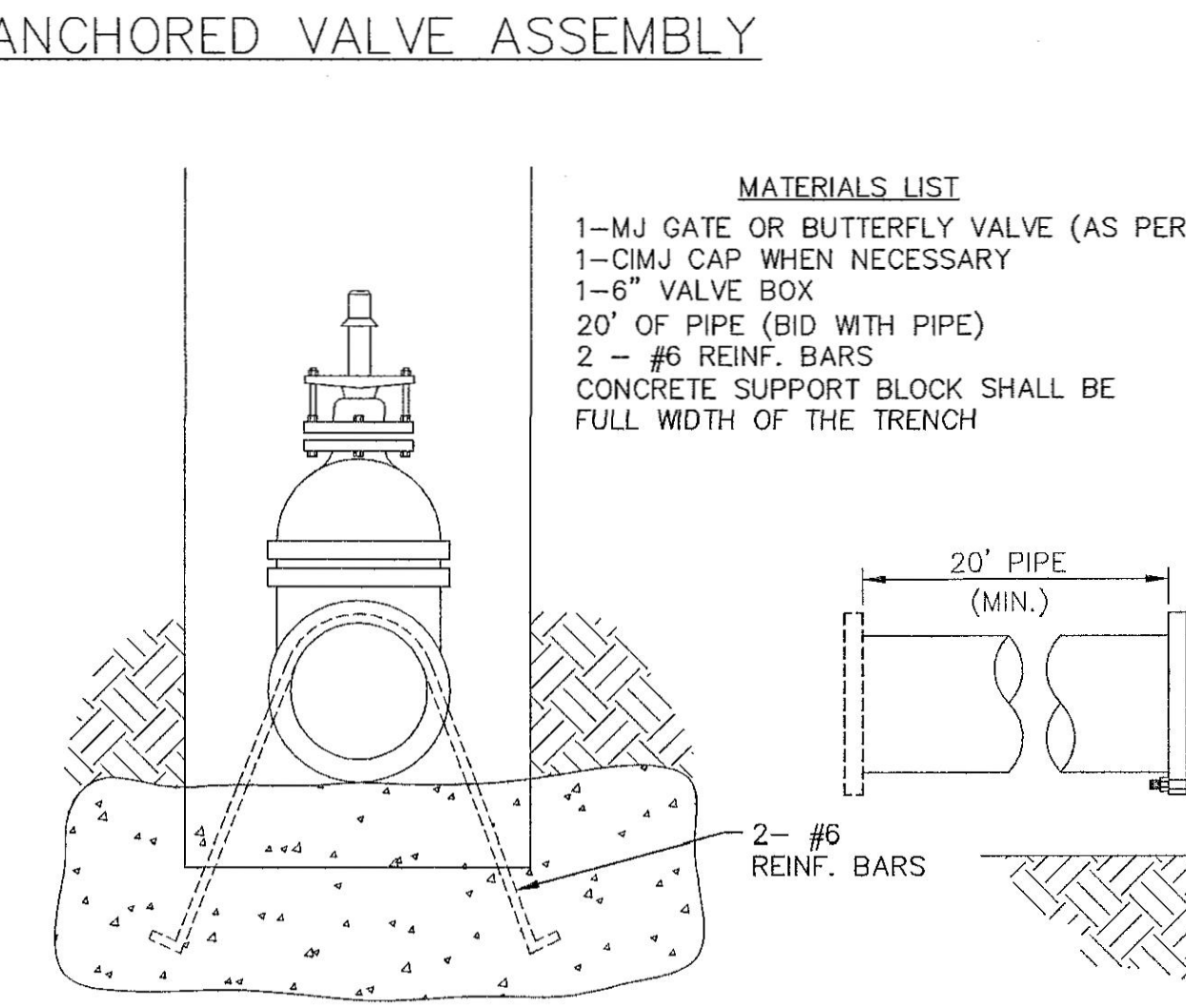
**TRACER WIRE DETAIL**  
 COST IS SUBSIDIARY TO PIPE INSTALLATION



**MATERIALS LIST**  
 1- MJ GATE OR BUTTERFLY VALVE (AS PER PLAN)  
 1- 6" VALVE BOX  
 2- DJCL SJ PIPE



**MATERIALS LIST**  
 1-MJ GATE OR BUTTERFLY VALVE (AS PER PLAN)  
 1-MJ ANCHOR COUPLING (12" OR SMALLER)  
 1-6" VALVE BOX  
 CONCRETE SUPPORT BLOCK SHALL BE FULL WIDTH OF THE TRENCH

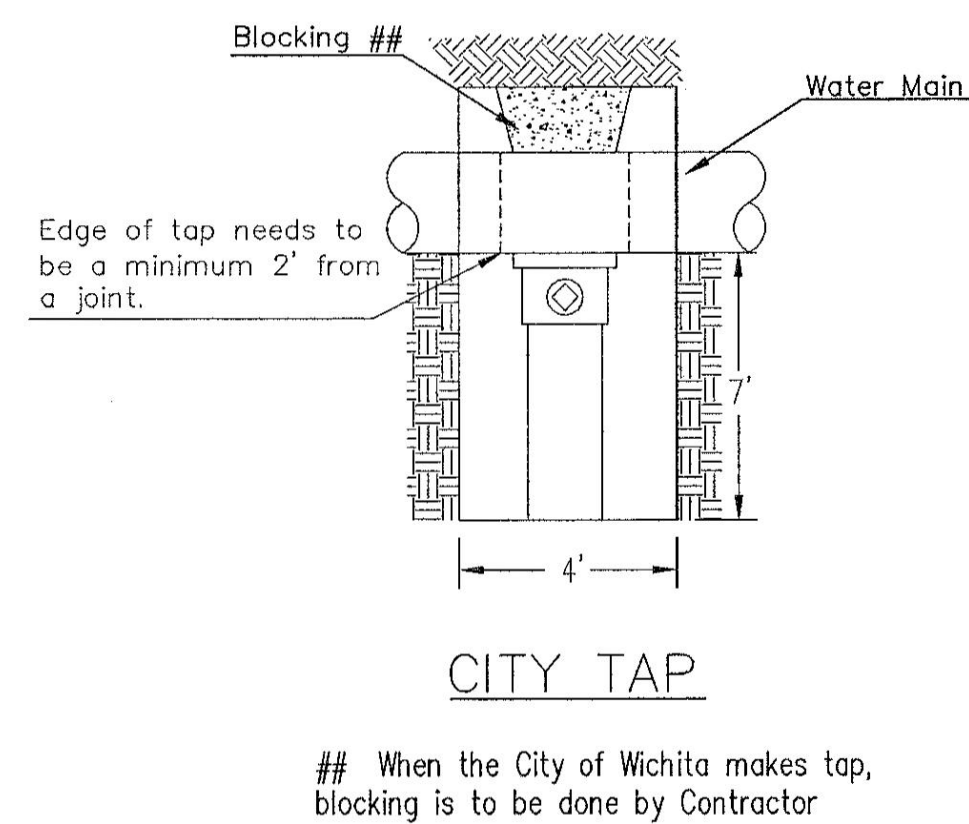


**MATERIALS LIST**  
 1-MJ GATE OR BUTTERFLY VALVE (AS PER PLAN)  
 1-CIMJ CAP WHEN NECESSARY  
 1-6" VALVE BOX  
 20' OF PIPE (BID WITH PIPE)  
 2- #6 REINF. BARS  
 CONCRETE SUPPORT BLOCK SHALL BE FULL WIDTH OF THE TRENCH

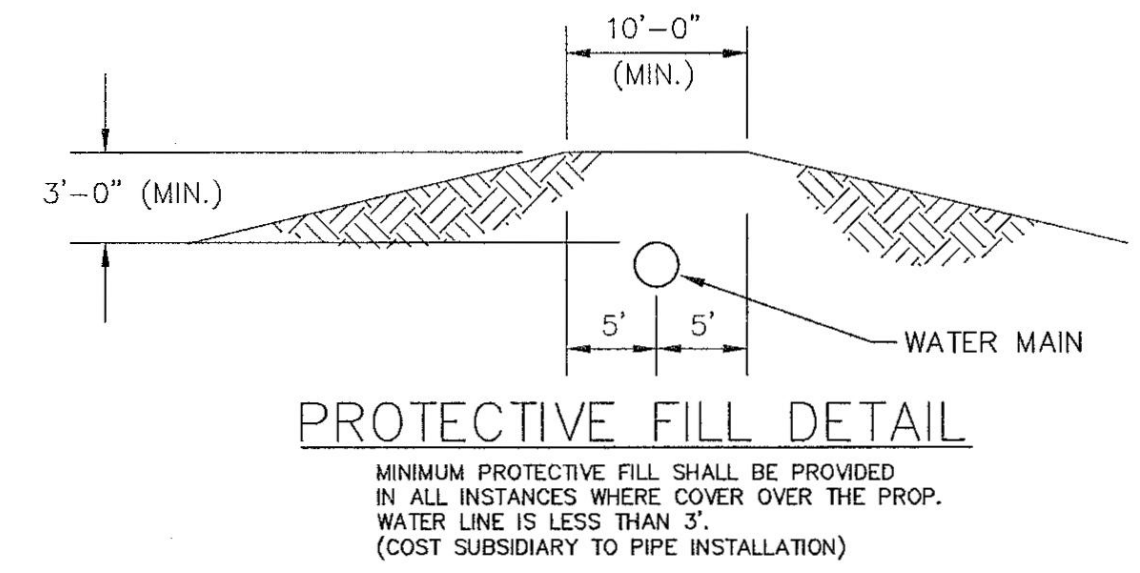
**Notes:**  
 1. Concrete Block at Valve to have sufficient bearing in undisturbed soil to prevent thrust movement as shown in table at right. Field Engineer to determine thrust loading of undisturbed soil and final size of thrust block.  
 2. The thrust block shall be constructed such that bolts, nuts, and other MJ accessories are kept clear of concrete.  
 3. All valves at dead ends and at other locations as called out on the plans shall be blocked as shown here.

THRUST AT VALVES	
VALVE	THRUST AT 150 #/in <sup>2</sup>
4"	1809 lbs.
6"	4245 lbs.
8"	7540 lbs.
12"	16965 lbs.

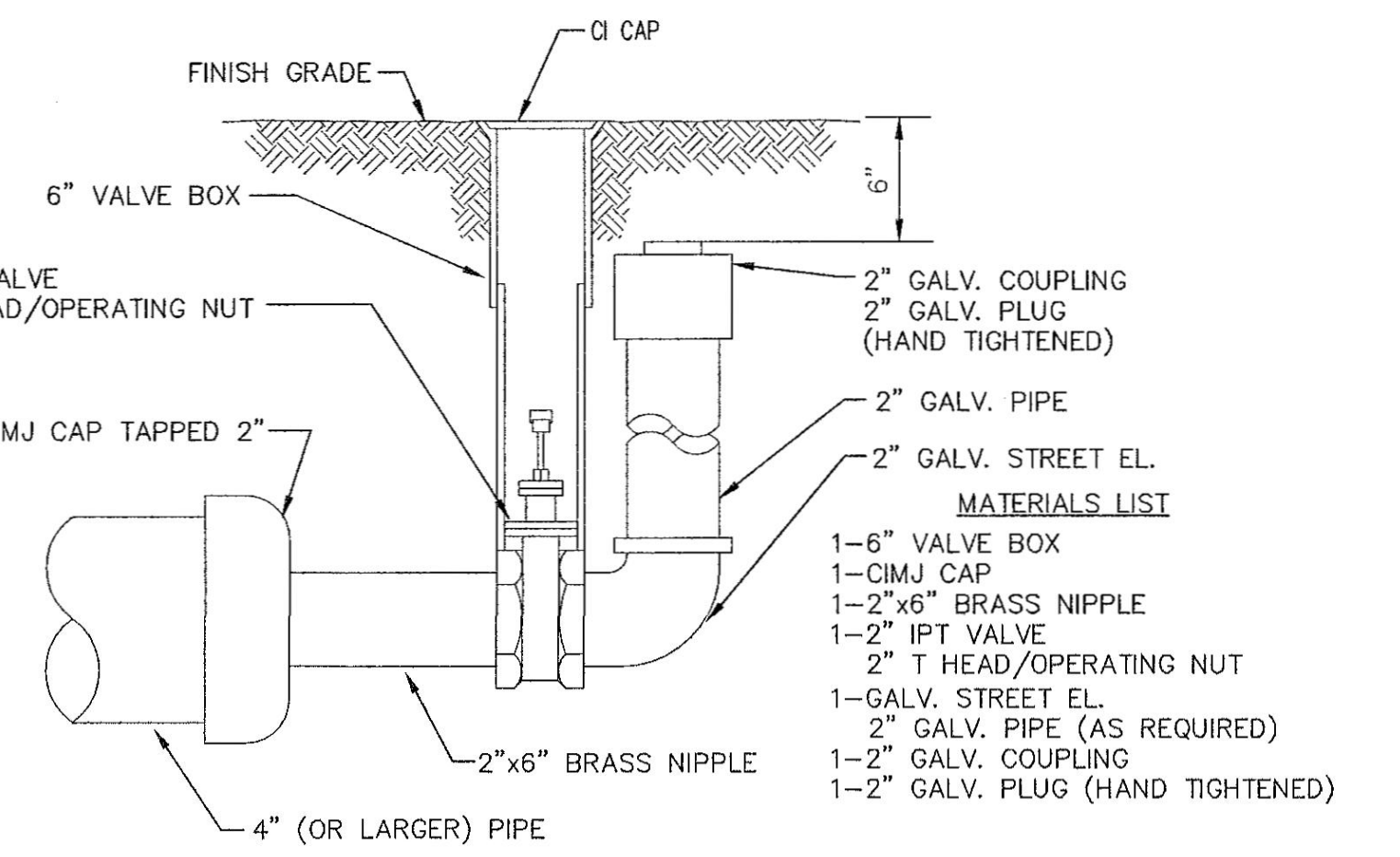
FIRE HYDRANTS REQUIRED				
STATION	BURY LINE ELEVATION	TOP OF PIPE ELEVATION	FIRE HYDRANT BURY REQUIRED*	VALVE STEM EXT. REQUIRED (ft)*
WL 1, Sta. 3+49.00	1351.3	1347.57	4.5'	



\*\* When the City of Wichita makes tap, blocking is to be done by Contractor

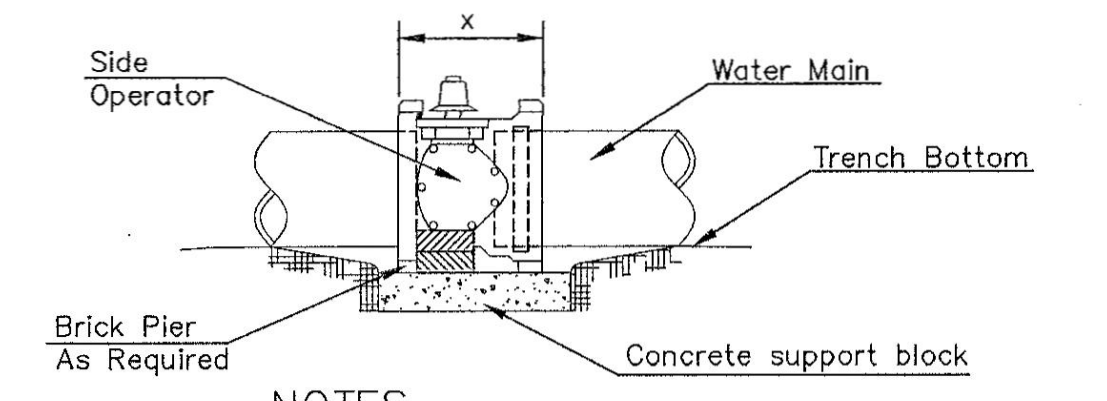


MINIMUM PROTECTIVE FILL SHALL BE PROVIDED IN ALL INSTANCES WHERE COVER OVER THE PROP. WATER LINE IS LESS THAN 3". (COST SUBSIDIARY TO PIPE INSTALLATION)



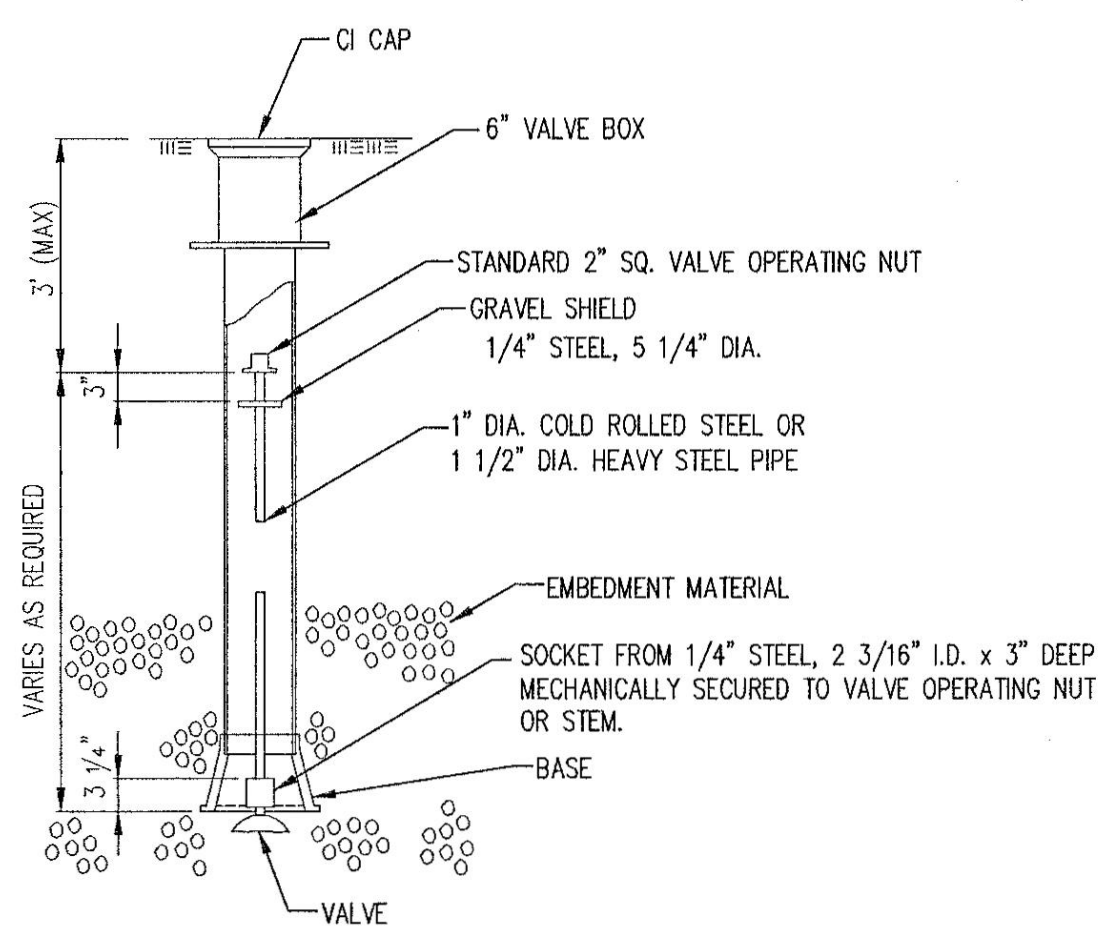
**2" BLOWOFF ASSEMBLY**

**MATERIALS LIST**  
 1-6" VALVE BOX  
 1-CIMJ CAP  
 1-2"x6" BRASS NIPPLE  
 1-2" IPT VALVE  
 2" T HEAD/OPERATING NUT  
 1-GALV. STREET EL.  
 2" GALV. PIPE (AS REQUIRED)  
 1-2" GALV. COUPLING  
 1-2" GALV. PLUG (HAND TIGHTENED)

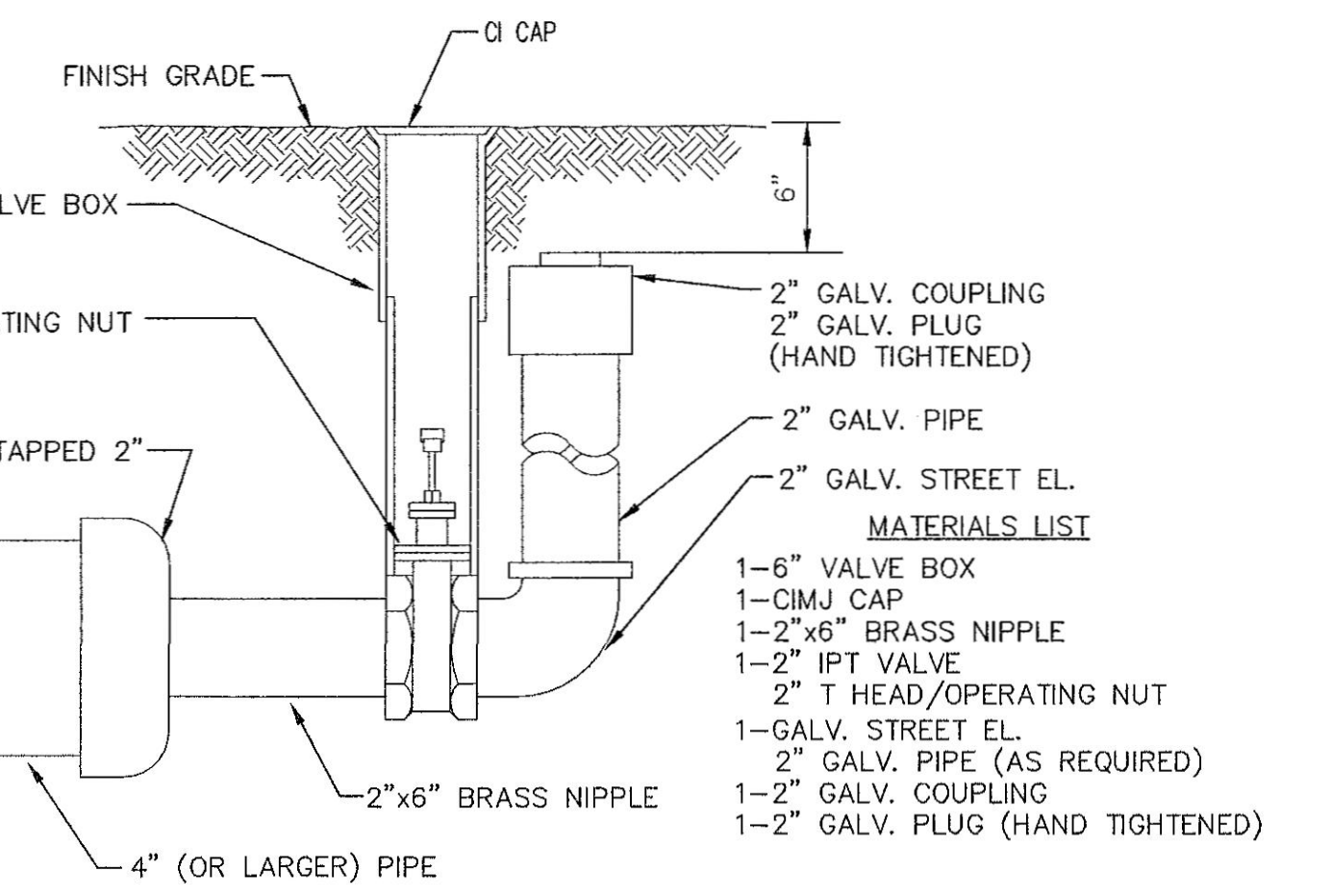


**NOTES**  
 1. This detail covers Butterfly Valve installation, inclusive, regardless of type of pipe or joint used. 24" and larger lines to be detailed on plans.  
 2. 6" Valve Box and Cover required per City of Wichita Std. Specifications.  
 3. Conc. Support Block to be full width of trench.

**CONCRETE SUPPORT BLOCKING FOR BUTTERFLY VALVE INSTALLATION**



**VALVE STEM EXTENSION DETAIL**  
 NOTE: ONE VALVE STEM EXTENSION FOR EACH VALVE BURIED GREATER THAN 5'.



**2" BLOWOFF ASSEMBLY**

**CITY OF WICHITA**  
 PUBLIC WORKS & UTILITIES ENGINEERING DIVISION

**STANDARD WATER ASSEMBLY DETAIL**  
 CITY ENGINEER  
**GARY JANZEN, P.E.**

PROJECT NUMBER	OCA NUMBER	DATE
448-90686	735541	

CITY ENGINEER'S OFFICE  
 CITY HALL - SEVENTH FLOOR  
 455 NORTH MAIN STREET  
 WICHITA, KANSAS 67202-1620  
 (316) 268-4501

SHEET  
**6 of 10**

Scaled 04-28-2016 3:27:58 PM by CAIRI LINK  
 Plot Scale 1:2,500.00 04-28-2016 3:38:35 PM by CAIRI LINK  
 U:\Wichita-Civil\2015\15138\002\Mun\Drawings\15138-002-006-STANDARD WATER ASSEMBLY DETAILS

REVISED: JULY 2015