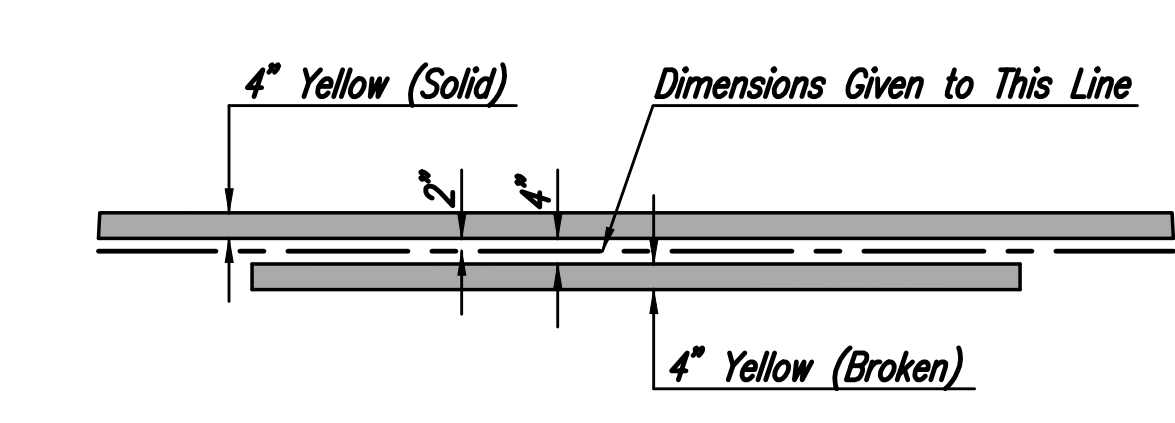
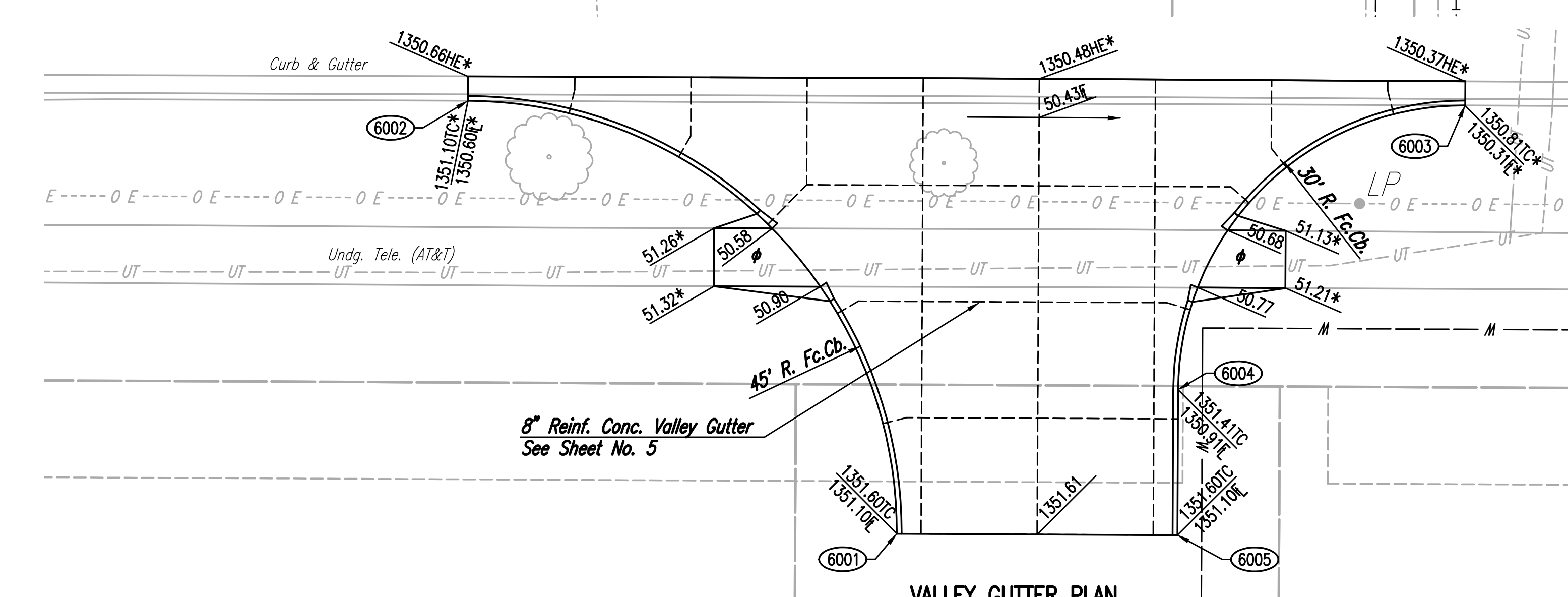
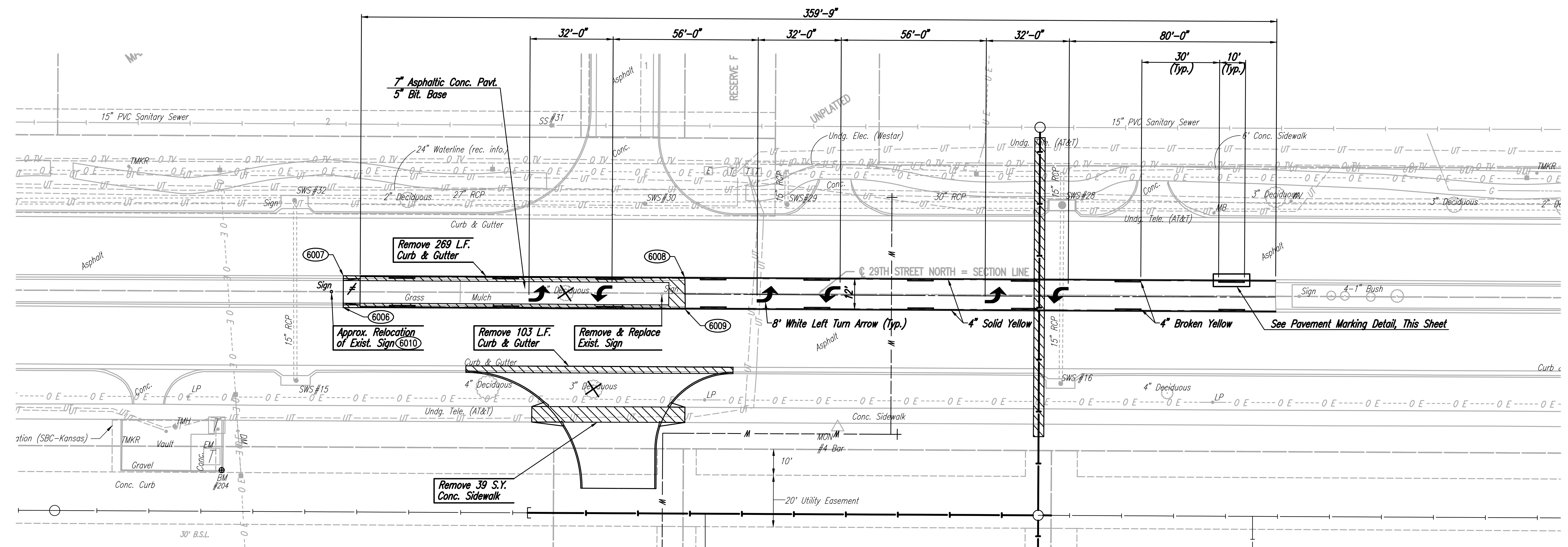
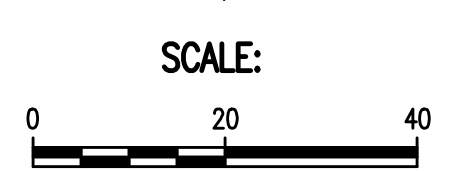


MEDIAN SPOT ELEVATIONS



PAVEMENT MARKING DETAIL



VALLEY GUTTER PLAN

- \* Match Existing
- ♠ Construct Std. Wheelchair Ramp (Type A), See Sheet No. 7.
- ≠ 6.5' Concrete Ramp Nose Section (Median)
- ✕ Tree Removal

COORDINATE LIST		
POINT	NORTH	EAST
6001	10,185.3753	6,189.3953
6002	10,230.0938	6,145.0792
6003	10,229.6088	6,248.1196
6004	10,200.2543	6,218.4688
6005	10,185.2327	6,218.3950
6006	10,255.1376	6,097.7410
6007	10,267.3731	6,097.8012
6008	10,266.6700	6,229.5600
6009	10,254.5300	6,229.5800
6010	10,261.2548	6,093.2173

6001 = COORDINATE POINT NO.

Sowed 07-26-2016 3:02:39 PM by BJS  
 Plot Scale 1:1 07-26-2016 3:09:15 PM by BJS  
 U:\Wichita-Civil\2015\15138\003\Drawings\15138-003-04C-PAVING PLAN-29TH ST. NORTH

No.	Revision	By	Date
CADILLAC LAKE—PHASE 1—PART A 29TH STREET TURNING LANES <b>PAVING PLAN—29TH ST. NORTH</b> GARY JANZEN, P.E.—CITY ENGINEER CITY OF WICHITA PROJECT NO. 472-85234			
PROFESSIONAL ENGINEERING CONSULTANTS, P.A. 303 SOUTH TOPEKA WICHITA, KS 67202 316-262-2691 www.pec1.com			
Designed by	BMM	Job No.	35-15138-003
Drawn by	BJS	Date	July 2016

Sht. 04 of 17