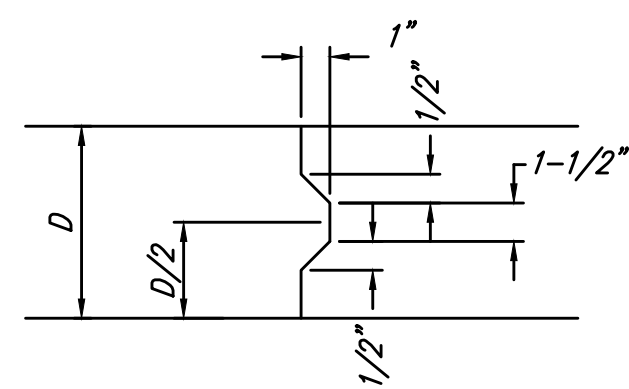
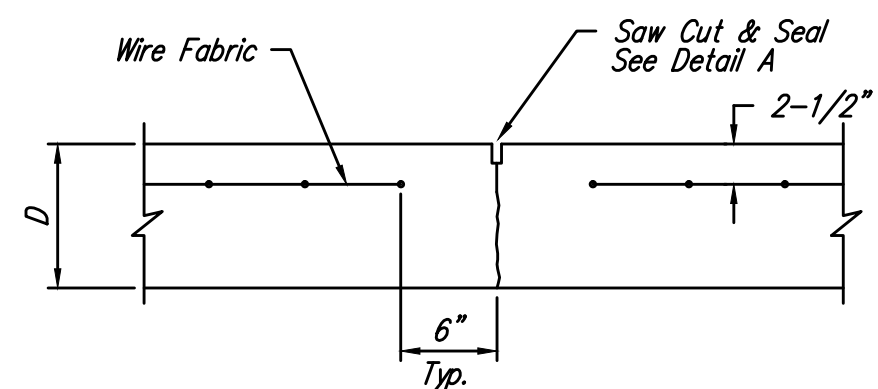


EXPANSION JOINT

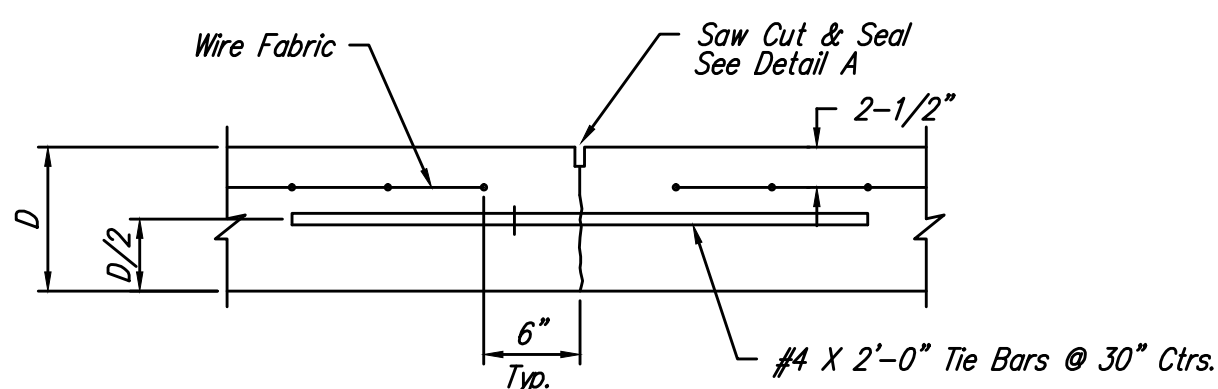
NOTE: Extra Thickness to be Subsidiary to Price of Square Yards Pavement



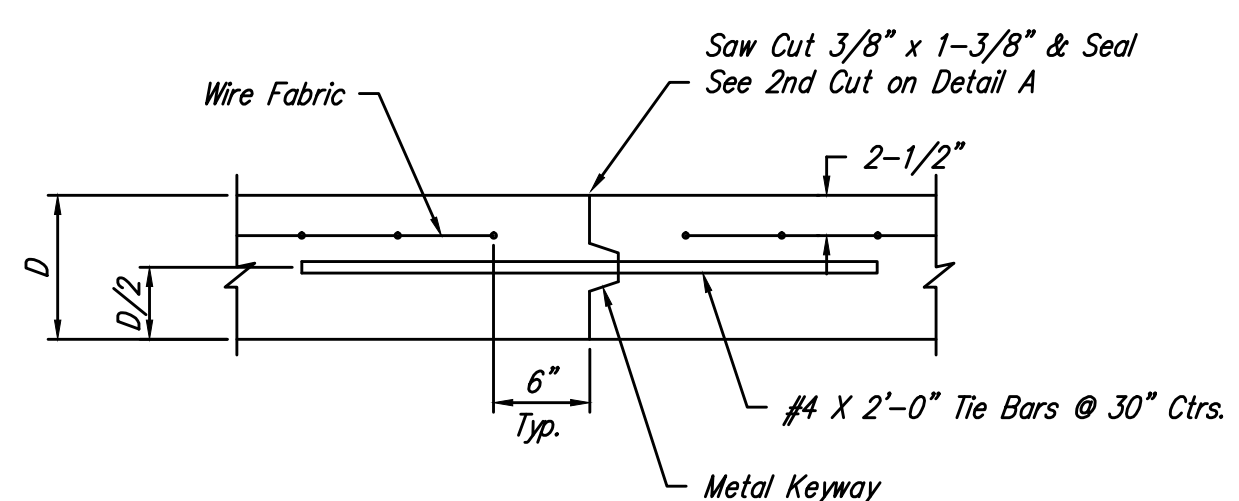
KEYWAY DETAIL



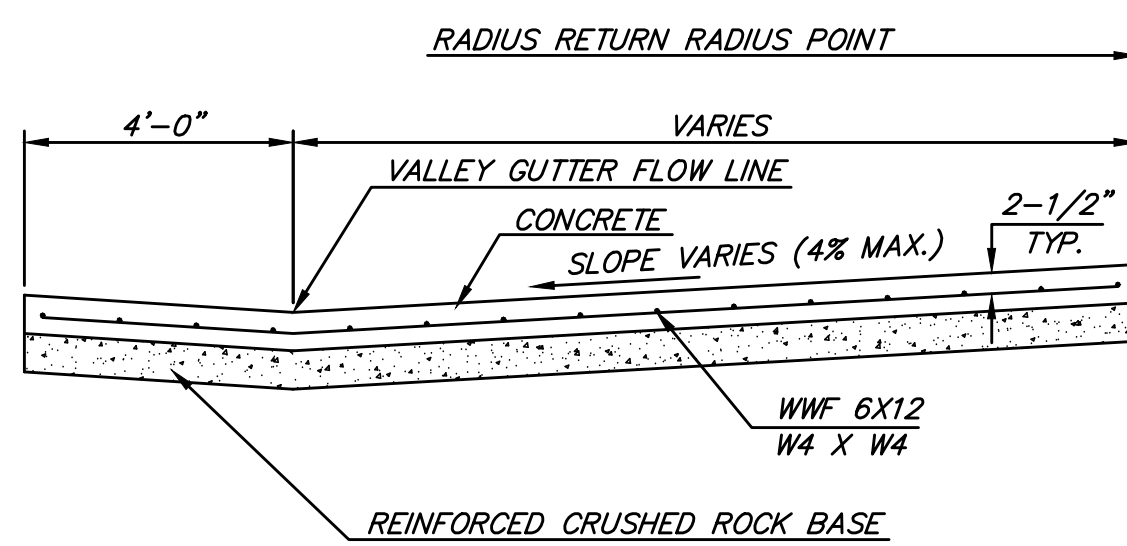
CONTRACTION JOINT DETAIL (C.J.)



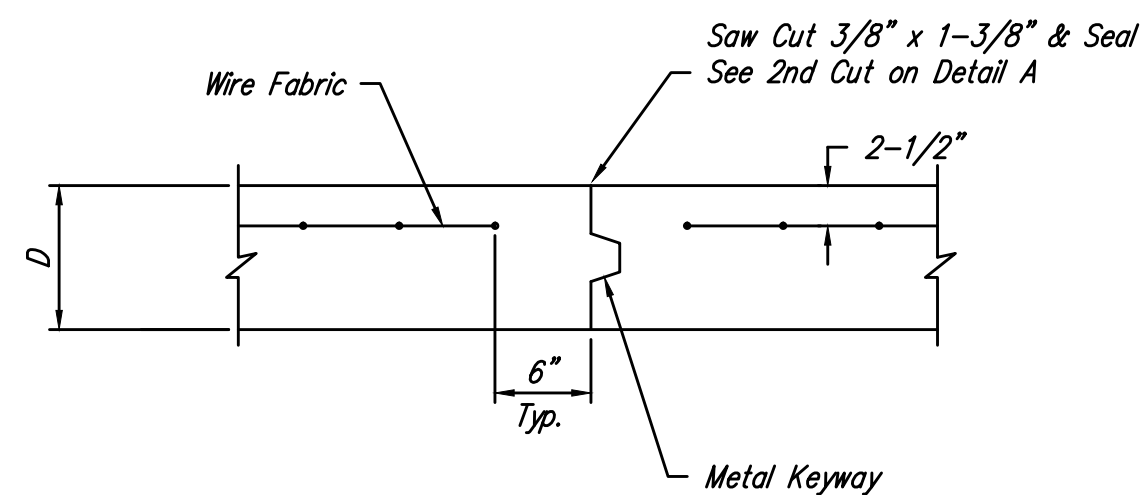
LONGITUDINAL JOINT DETAIL (L.J.)



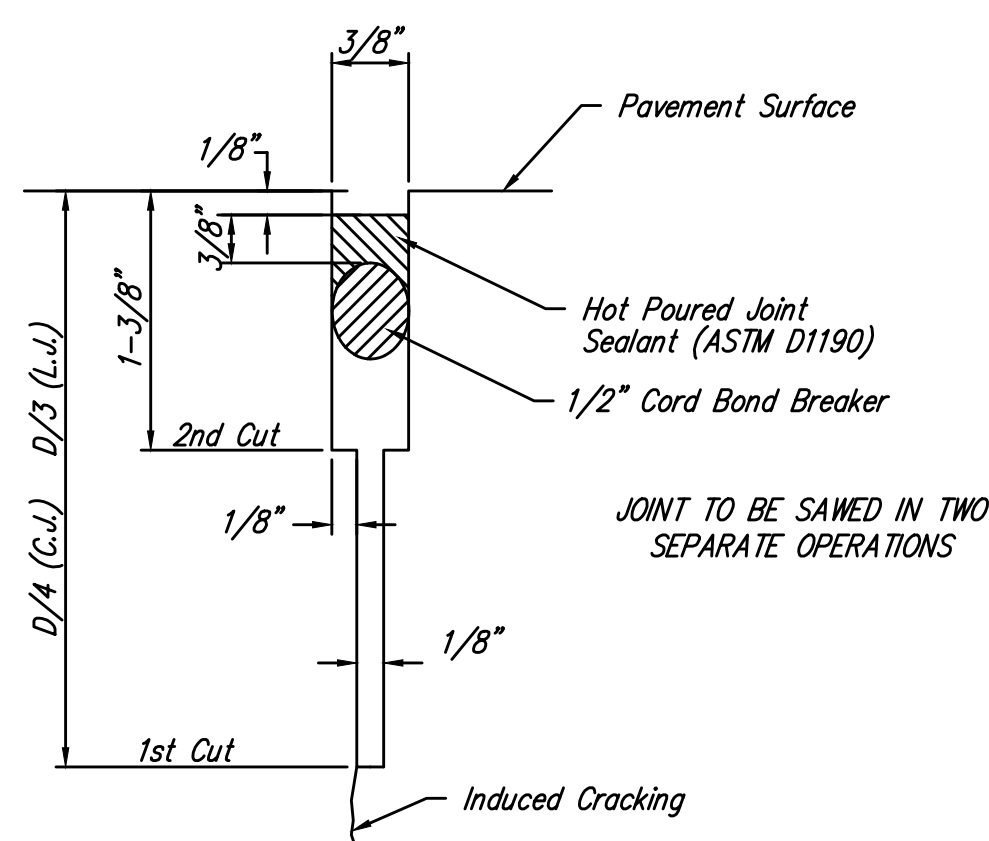
OPTIONAL LONGITUDINAL JOINT DETAIL (L.J.)



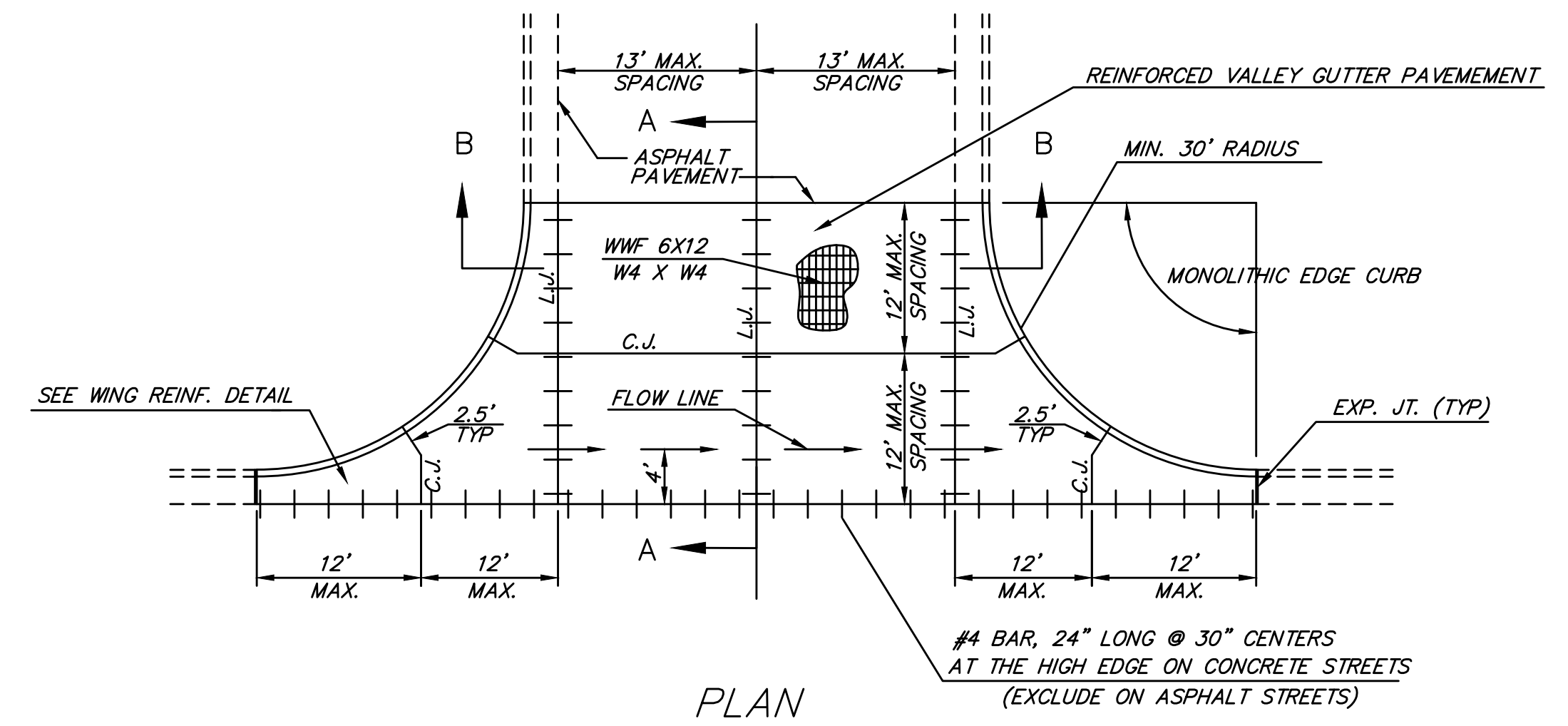
SECTION A-A



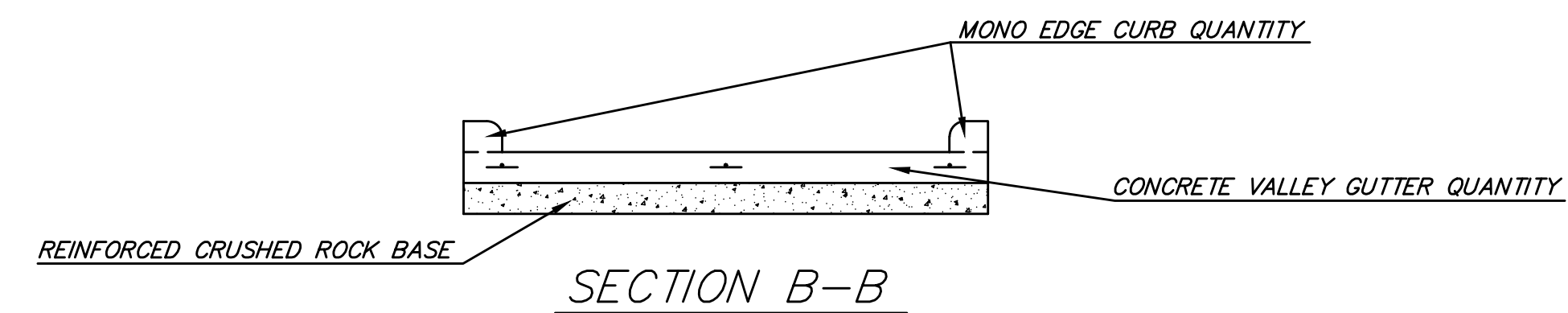
OPTIONAL CONTRACTION JOINT



SAW JOINT DETAIL (DETAIL A)

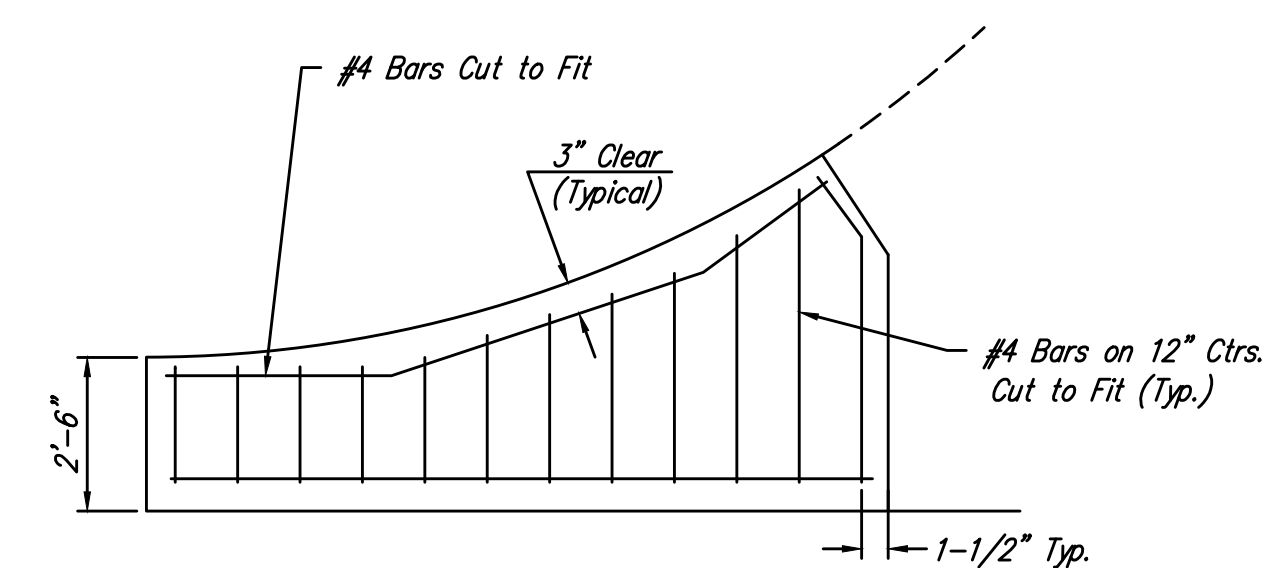


PLAN



SECTION B-B

REINFORCED VALLEY GUTTER DETAIL



WING REINFORCING DETAIL

Sheet 07-00-2015 5:08:51 AM by BJS
 Plot Date 11/07/2015 3:22:56 PM by BJS
 U:\wchita-civil\2015\15631\000\Drawings\15631-000-11C-VALLEY GUTTER PLAN

REVISED: NOVEMBER 2015



| VALLEY GUTTER DETAILS | | |
|--|----------------------|--------------------------|
| CITY ENGINEER GARY JANZEN, P.E. | | |
| PROJECT NUMBER 472-766368 | OCA NUMBER 766368 | DATE |
| CITY ENGINEER'S OFFICE CITY HALL - SEVENTH FLOOR 455 NORTH MAIN STREET WICHITA, KANSAS 67202-1620 (316) 268-4501 | | SHEET 11 of 42 |