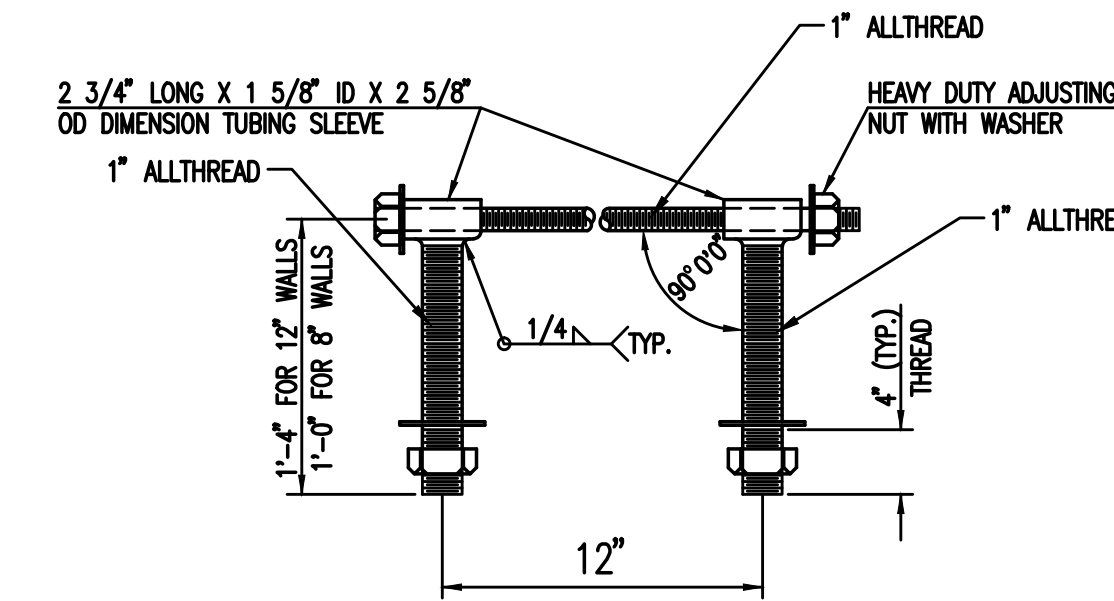
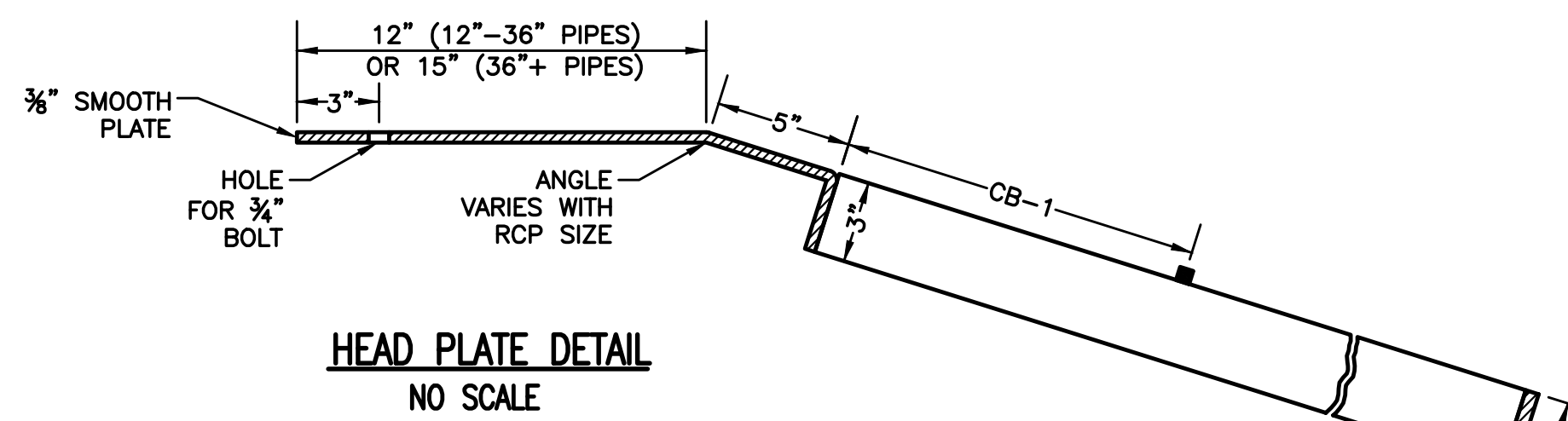


NOTE: GRATE TO BE USED AS DIRECTED BY THE CITY OF WICHITA.

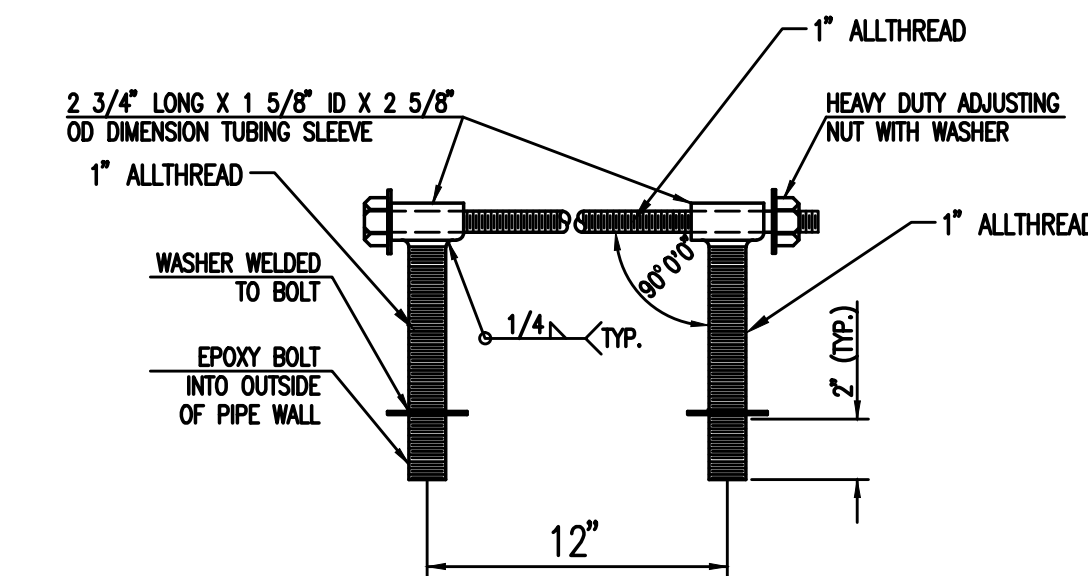
GRATE DIMENSIONS													
PIPE SIZE	HEAD PLATE	A	B	C	D	E	F	CB-1	CB-2	CB-3	CB-4	SP-1	SP-2
12"	13"	19 1/4"	19 3/8"	-	-	-	27"	10 3/8"	-	-	-	3@4"	3@6"
15"	13"	23 1/2"	25 1/4"	-	-	-	34"	10 3/4"	-	-	-	3@4"	3@8"
18"	13"	25"	26 1/8"	-	-	-	40"	12 7/8"	-	-	-	3@4"	3@9"
24"	17"	41 1/2"	42 1/2"	43 1/2"	-	-	53"	12"	15"	-	-	4@4"	4@9"
30"	19"	51 1/2"	52 1/2"	53 1/2"	-	-	65"	16 1/4"	11 3/4"	12"	-	2@3"+3@4"	5@9"
36"	21"	60 1/2"	61 1/2"	62 1/2"	-	-	78"	18 5/8"	14 1/4"	16"	-	2@2"+4@4"	6@9"
42"	22"	65 1/2"	66 1/2"	67 3/8"	68 3/4"	-	86"	13 3/8"	12 5/8"	13"	11 3/4"	7@3"	7@9"
48"	25"	70 7/8"	71"	71 3/4"	73"	74 1/2"	90"	16 1/4"	14 3/4"	14 3/4"	14 3/4"	8@3"	8@9"
54"	26"	71 3/4"	73"	74 1/2"	74 3/4"	76 3/4"	96"	6 7/8"	20 7/8"	17 7/8"	15 5/8"	4@2 3/4"+5@3"	9@9"
60"	28"	61 1/8"	61 3/4"	62 3/4"	64 1/2"	66 5/8"	102"	12"	12"	11 1/2"	13"	2@2"+8@3"	10@9"



HEAVY DUTY (H.D.) COUPLER (>=36")
NO SCALE

NOTES

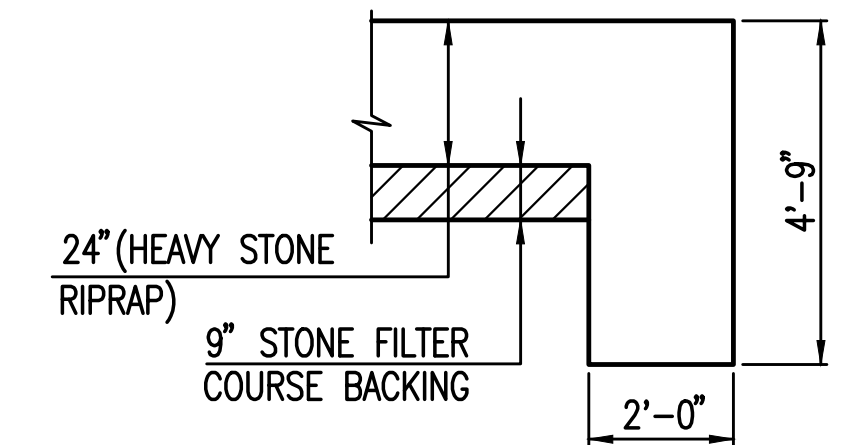
1. BOLTS TO BE A-36 1 1/2" DIAMETER.
2. BOLTS, NUTS, WASHERS AND SLEEVES TO BE ZINC PLATED.
3. WASHERS TO BE 3 1/2" O.D. X 7 GAUGE.
4. SHIP WITH NUTS AND WASHERS PLACED ON BOLTS.



HEAVY DUTY (H.D.) COUPLER (<=30")
NO SCALE

NOTES

1. BOLTS TO BE A-36 1 1/2" DIAMETER.
2. BOLTS, NUTS, WASHERS AND SLEEVES TO BE ZINC PLATED.
3. WASHERS TO BE 3 1/2" O.D. X 7 GAUGE.
4. SHIP WITH NUTS AND WASHERS PLACED ON BOLTS.

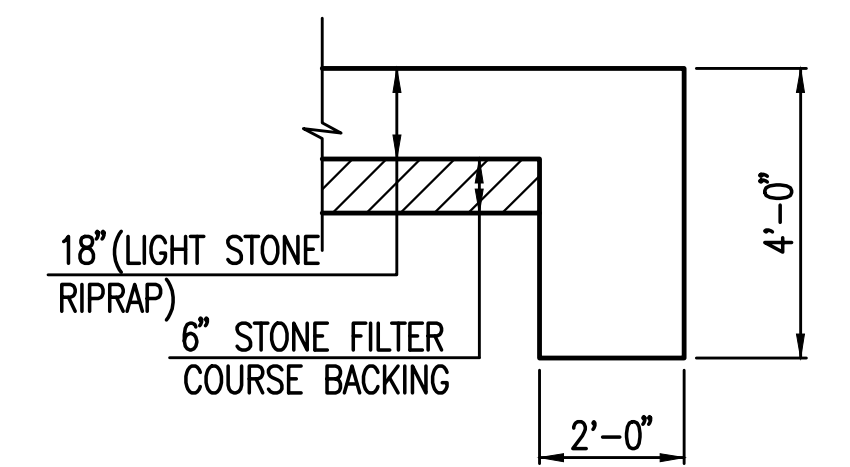


TYPICAL SECTION THRU TOEWALL
NO SCALE

NOTES

1. ALL RIPRAP FOR THIS PROJECT SHALL BE NATURAL STONE. NEITHER BROKEN CONCRETE, FABRIC ENVELOPE, NOR PREMIXED DRY PACKAGED CONCRETE BAG ALTERNATES WILL BE ALLOWED, UNLESS INDICATED OTHERWISE.
2. TOEWALLS SHALL BE INSTALLED ALONG ALL UNPROTECTED EDGES OF STONE RIPRAP.
3. GROUTING OF THE SURFACE OF THE RIPRAP SHALL NOT BE PERFORMED, UNLESS INDICATED OTHERWISE. GROUTING OF THE TOEWALLS SHALL BE PERFORMED PER CITY SPECIFICATIONS.

HEAVY STONE RIPRAP DETAILS

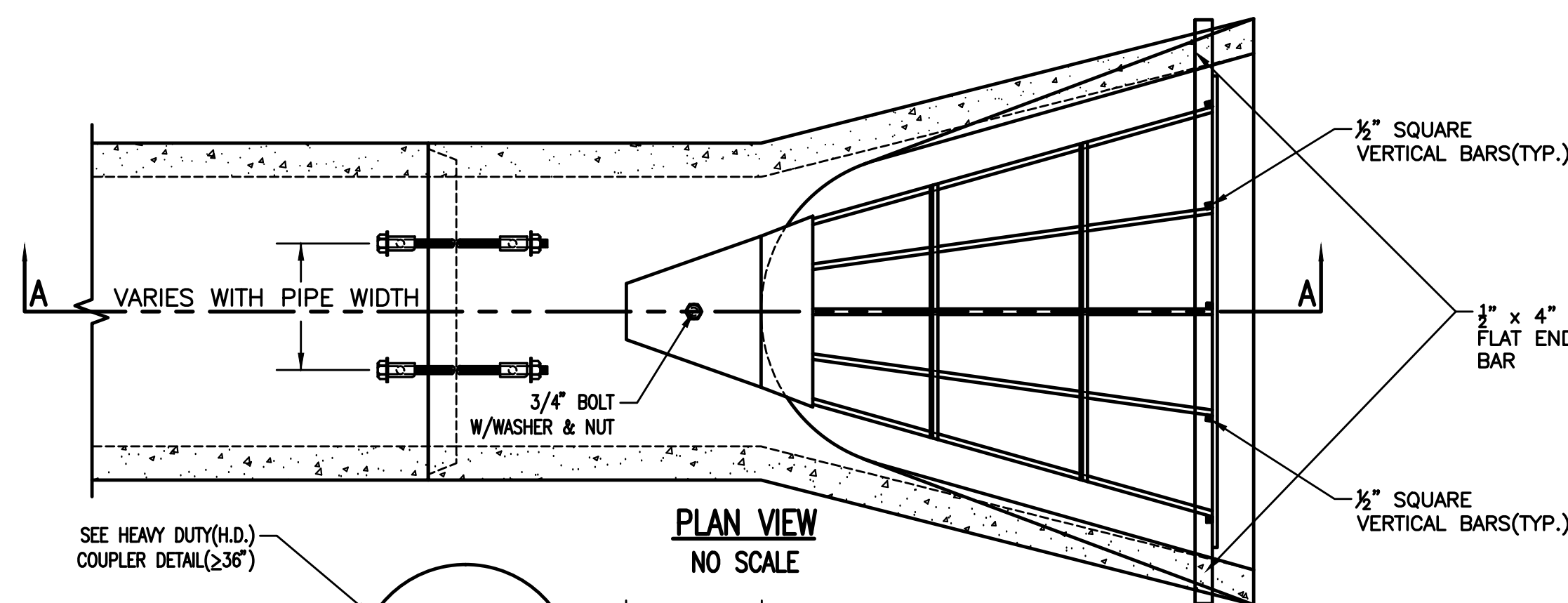


TYPICAL SECTION THRU TOEWALL
NO SCALE

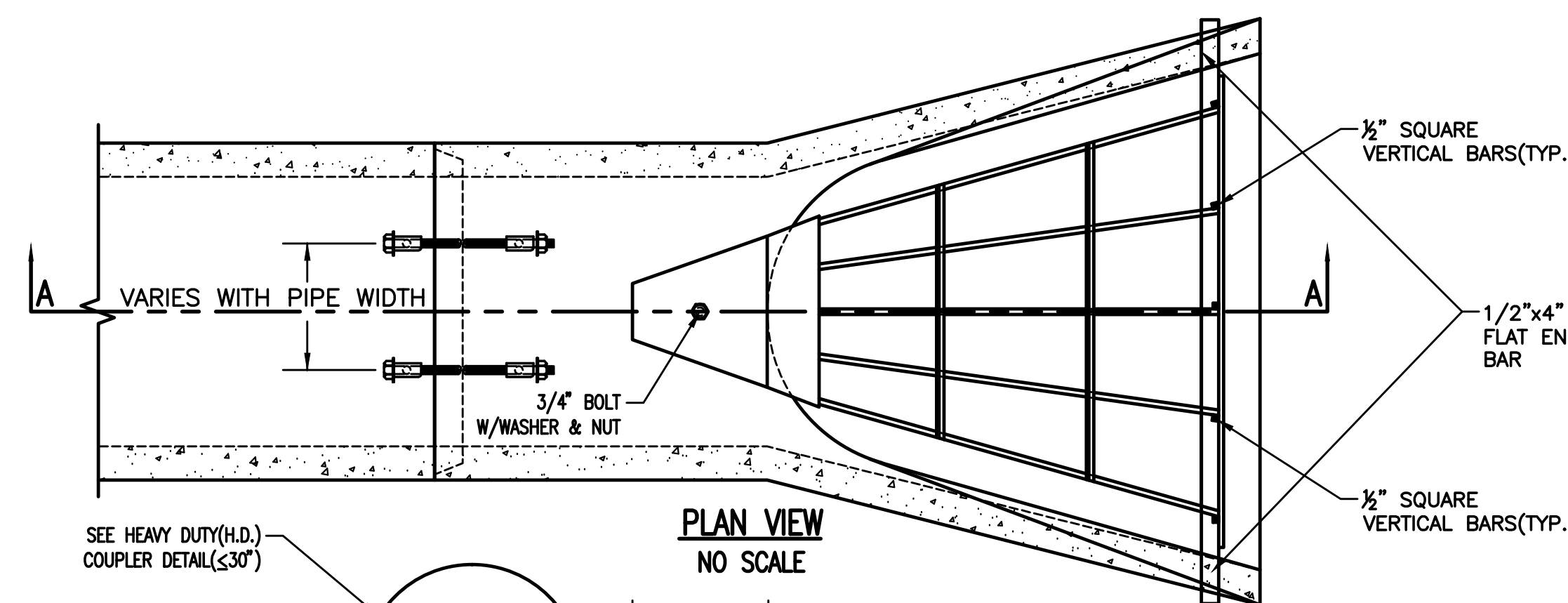
NOTES

1. ALL RIPRAP FOR THIS PROJECT SHALL BE NATURAL STONE. NEITHER BROKEN CONCRETE, FABRIC ENVELOPE, NOR PREMIXED DRY PACKAGED CONCRETE BAG ALTERNATES WILL BE ALLOWED, UNLESS INDICATED OTHERWISE.
2. TOEWALLS SHALL BE INSTALLED ALONG ALL UNPROTECTED EDGES OF STONE RIPRAP.
3. GROUTING OF THE SURFACE OF THE RIPRAP SHALL NOT BE PERFORMED, UNLESS INDICATED OTHERWISE. GROUTING OF THE TOEWALLS SHALL BE PERFORMED PER CITY SPECIFICATIONS.

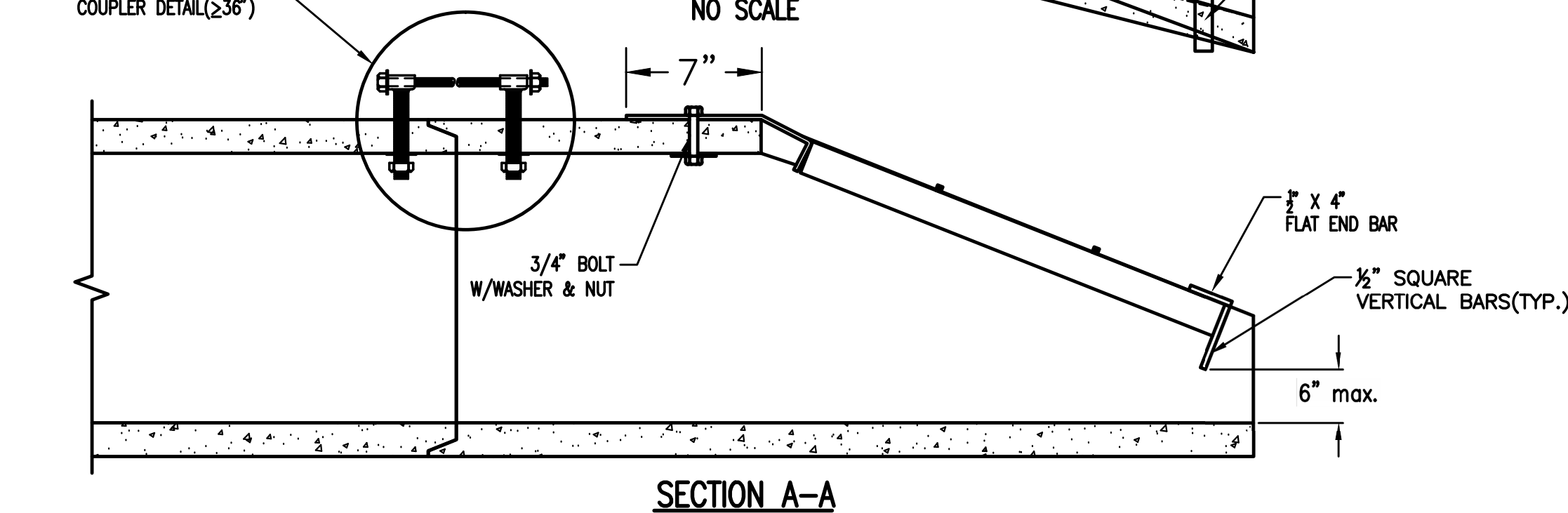
LIGHT STONE RIPRAP DETAILS



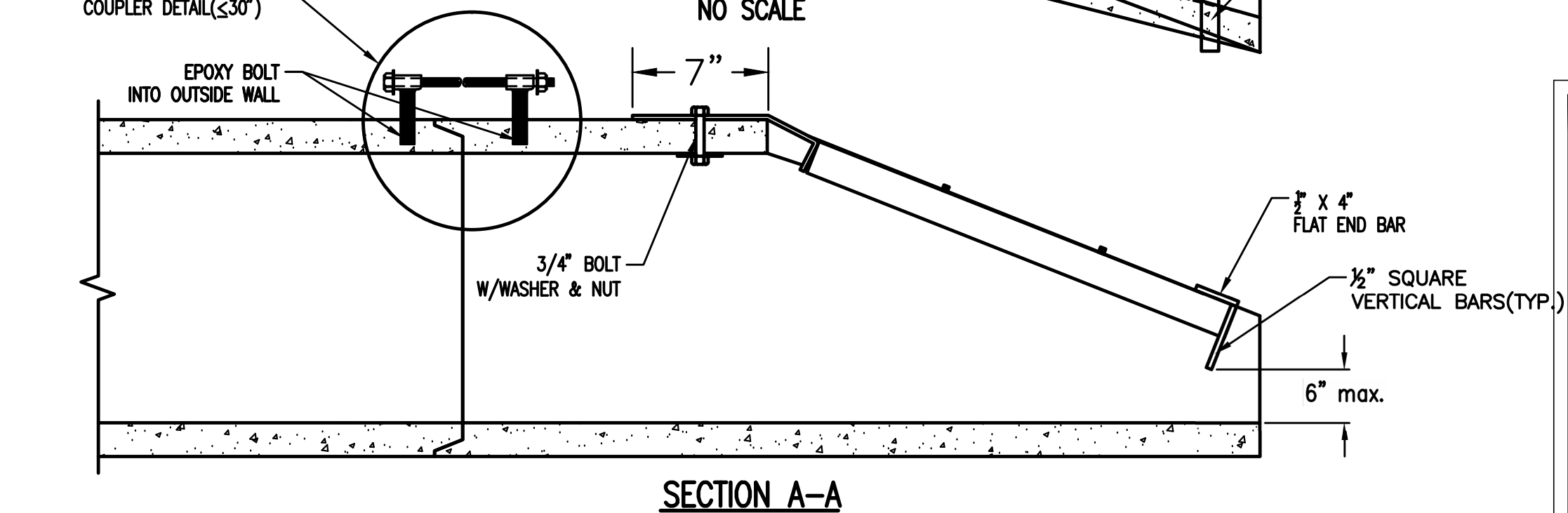
PLAN VIEW
NO SCALE



PLAN VIEW
NO SCALE



SECTION A-A



SECTION A-A

Sheet 07-20-2015 09:40 AM by BLS
 Proj. No. 11 07-20-2015 3:27:29 PM by BILL SEYSON
 U:\wchita-civil\2015\15631\000\Drawings\5631-000-23C-END SECTION-RESTRAINT COUPLER



END SECTION, PIPE RESTRAINT COUPLER & END GRATE		
CITY ENGINEER GARY JANZEN, P.E.		
PROJECT NUMBER 472-84801	OCA NUMBER 766368	DATE 01/2015
CITY ENGINEER'S OFFICE CITY HALL - SEVENTH FLOOR 455 NORTH MAIN STREET WICHITA, KANSAS 67202-1620 (316) 268-4501		DESIGN DRAWN SHEET 23 of 42