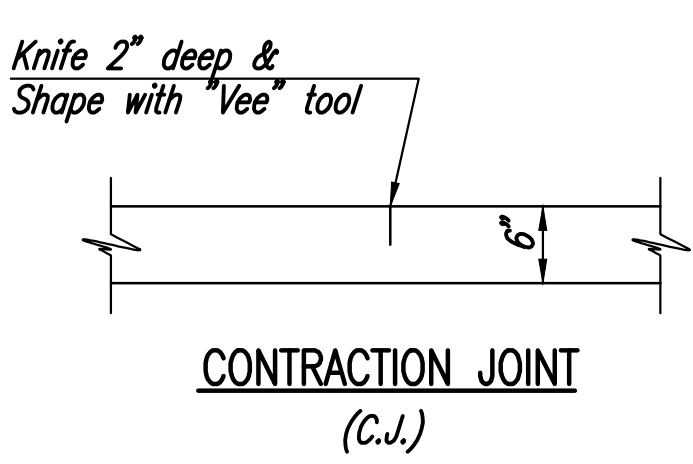
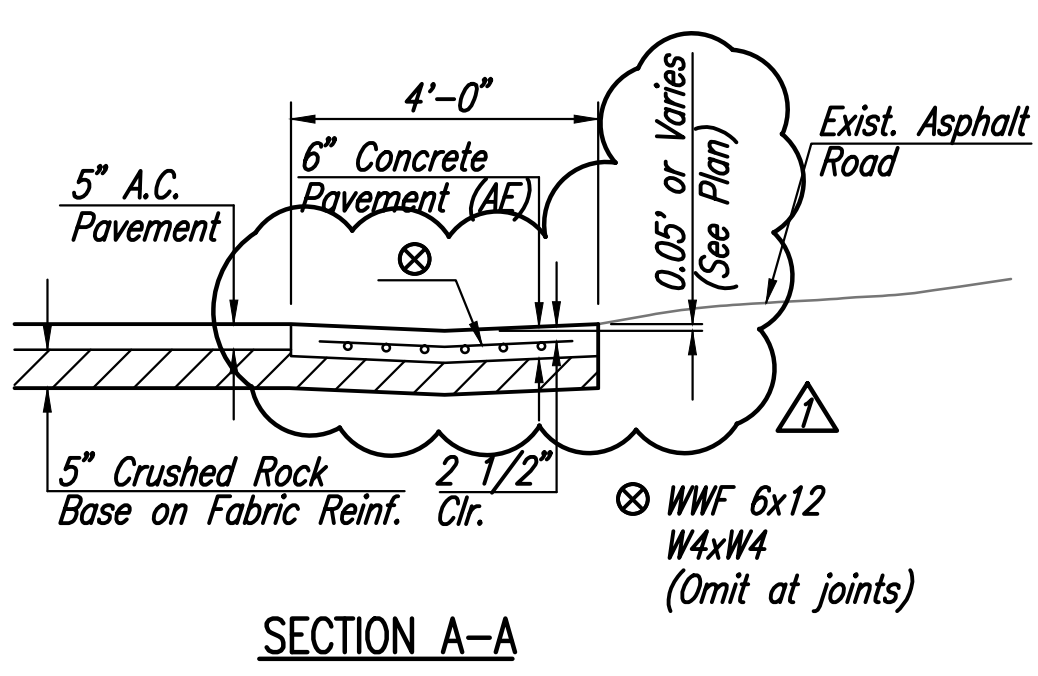
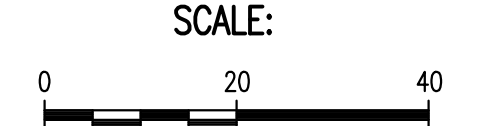
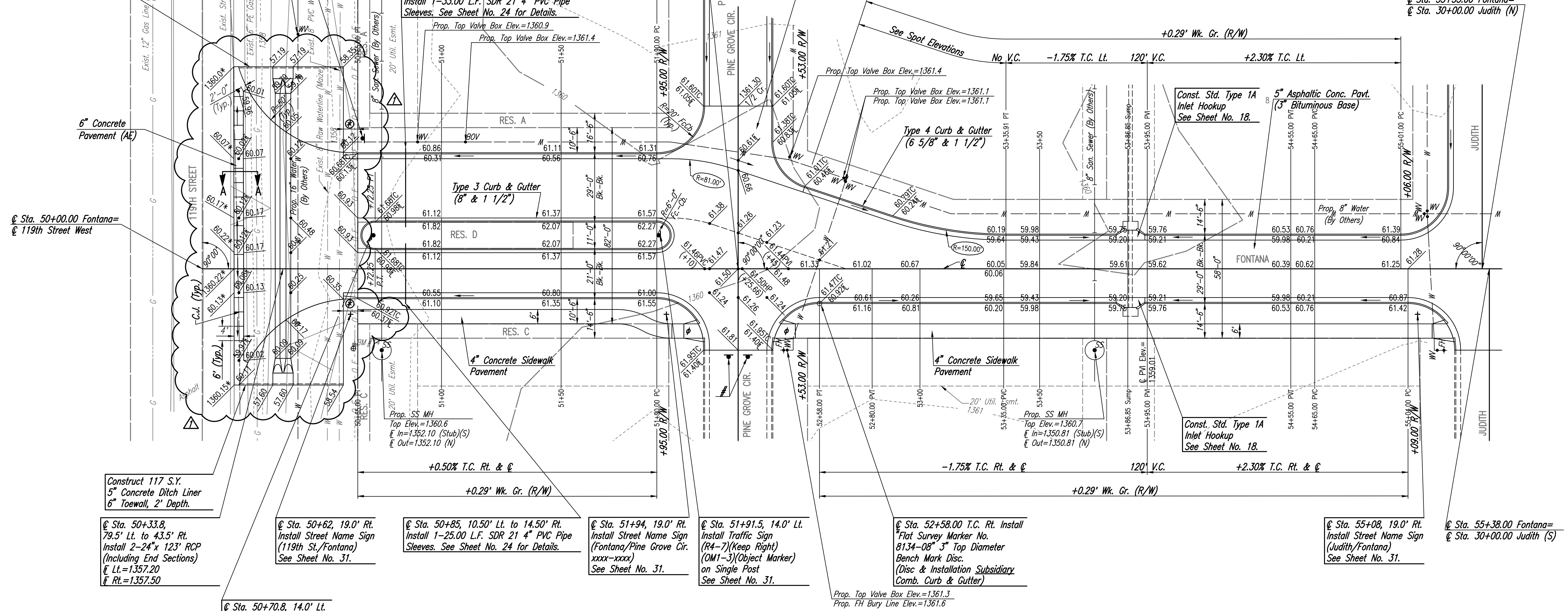


WATER VALVE BOX ELEVATIONS			
STREET	STATION	OFFSET	PROPOSED ELEVATION
FONTANA	50+90.00	53.00' Lt.	1360.9
FONTANA	51+10.00	53.00' Lt.	1361.4
FONTANA	52+47.00	34.00' Rt.	1361.3
FONTANA	52+45.50	46.77' Lt.	1361.4
FONTANA	52+68.08	37.98' Lt.	1361.1
FONTANA	52+68.84	36.46' Lt.	1361.1
FONTANA	55+10.80	23.00' Lt.	1361.6
FONTANA	55+12.02	24.20' Lt.	1361.6
FONTANA	55+12.08	21.80' Lt.	1361.6
FONTANA	55+16.20	34.00' Rt.	1361.3



Construct 117 S.Y. 5" Concrete Ditch Liner 6" Toewall, 2' Depth.



Construct 117 S.Y. 5" Concrete Ditch Liner 6" Toewall, 2' Depth.

@ Sta. 50+33.8, 79.5' Lt. to 43.5' Rt. Install 2-24" x 123" RCP (Including End Sections) @ Lt.=1357.20 @ Rt.=1357.50

@ Sta. 50+62, 19.0' Rt. Install Street Name Sign (119th St./Fontana) See Sheet No. 31.

@ Sta. 50+85, 10.50' Lt. to 14.50' Rt. Install 1-25.00 L.F. SDR 21 4" PVC Pipe Sleeves. See Sheet No. 24 for Details.

@ Sta. 51+94, 19.0' Rt. Install Street Name Sign (Fontana/Pine Grove Cir. xxxx-xxxx) See Sheet No. 31.

@ Sta. 51+91.5, 14.0' Lt. Install Traffic Sign (R4-7)(Keep Right) (OM1-3)(Object Marker) on Single Post See Sheet No. 31.

@ Sta. 52+58.00 T.C. Rt. Install Flat Survey Marker No. 8134-08 3" Top Diameter Bench Mark Disc. (Disc & Installation Subsidiary Comb. Curb & Gutter)

@ Sta. 55+08, 19.0' Rt. Install Street Name Sign (Judith/Fontana) See Sheet No. 31.

@ Sta. 55+38.00 Fontana= @ Sta. 30+00.00 Judith (S)

@ Sta. 50+70.8, 14.0' Lt. Install Traffic Sign (R4-7)(Keep Right) (OM1-3)(Object Marker) on Single Post See Sheet No. 31.

⊗ 6" Transition from No Height Curb to Full Height Curb and Gutter (6 5/8" Std. & 1 1/2"). To be bid and paid for as "Combined Curb and Gutter (6 5/8" Std. & 1 1/2)".

- \* Match Existing
- ⊕ Construct Std. Wheelchair Ramp, See Sheet No. 13.
- # Install Type OMA-3 (End of Roadway Marker See Sheet No. 31.)
- ⊗ Sleeves to be 42" below top of curb. Each end of 4" PVC pipe sleeves shall be capped and marked with steel "T" posts or 2" dia. steel pipe a maximum of 12" above finished grade. Pipe, caps, markers, and installation thereof shall be paid for at the unit price bid per linear foot "Irrigation Sleeves".

Sowed: 08-15-2016 9:41:04 AM by BJS  
 Plot Scale: 1" = 40'-0" (1:480)  
 U:\Projects\Civil\2015\15631-000-OSC-PAVING PLAN-FONTANA-ADDENDUM NO. 1

ADDENDUM NO. 1		BMM	8/15/16
No.	Revision	By	Date
FONTANA 5TH-PHASE 1 PAVING AND INCIDENTAL DRAINAGE IMPROVEMENTS <b>PAVING PLAN-FONTANA</b> GARY JANZEN, P.E. - CITY ENGINEER CITY OF WICHITA PROJECT NO. 472-84801			
		PROFESSIONAL ENGINEERING CONSULTANTS, P.A. 303 SOUTH TOPEKA WICHITA, KS 67202 316-262-2691 www.pec1.com	
Designed by	BMM	Job No. 31-15631-000	SHT. 03 of 42
Drawn by	BJS	Date July 2016	