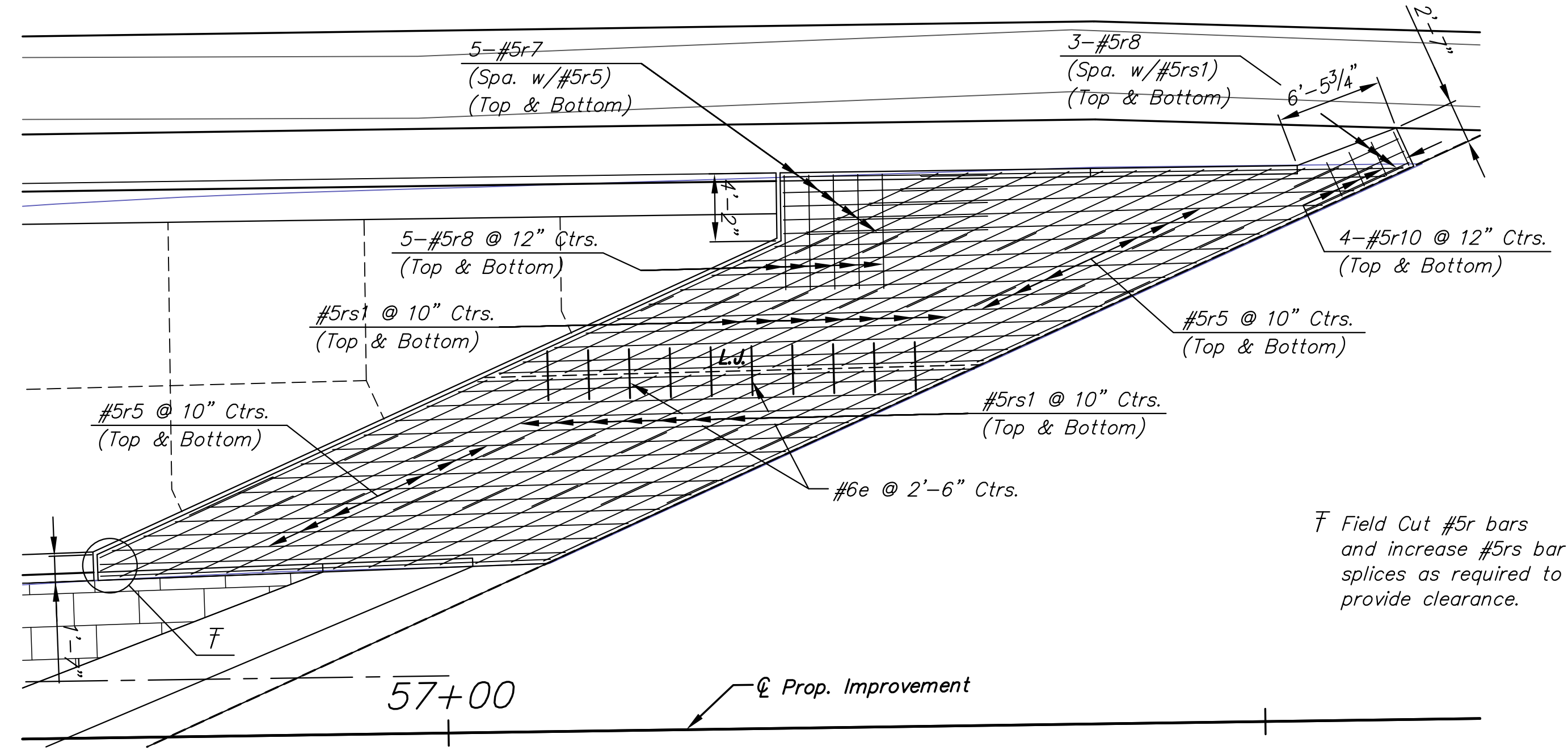


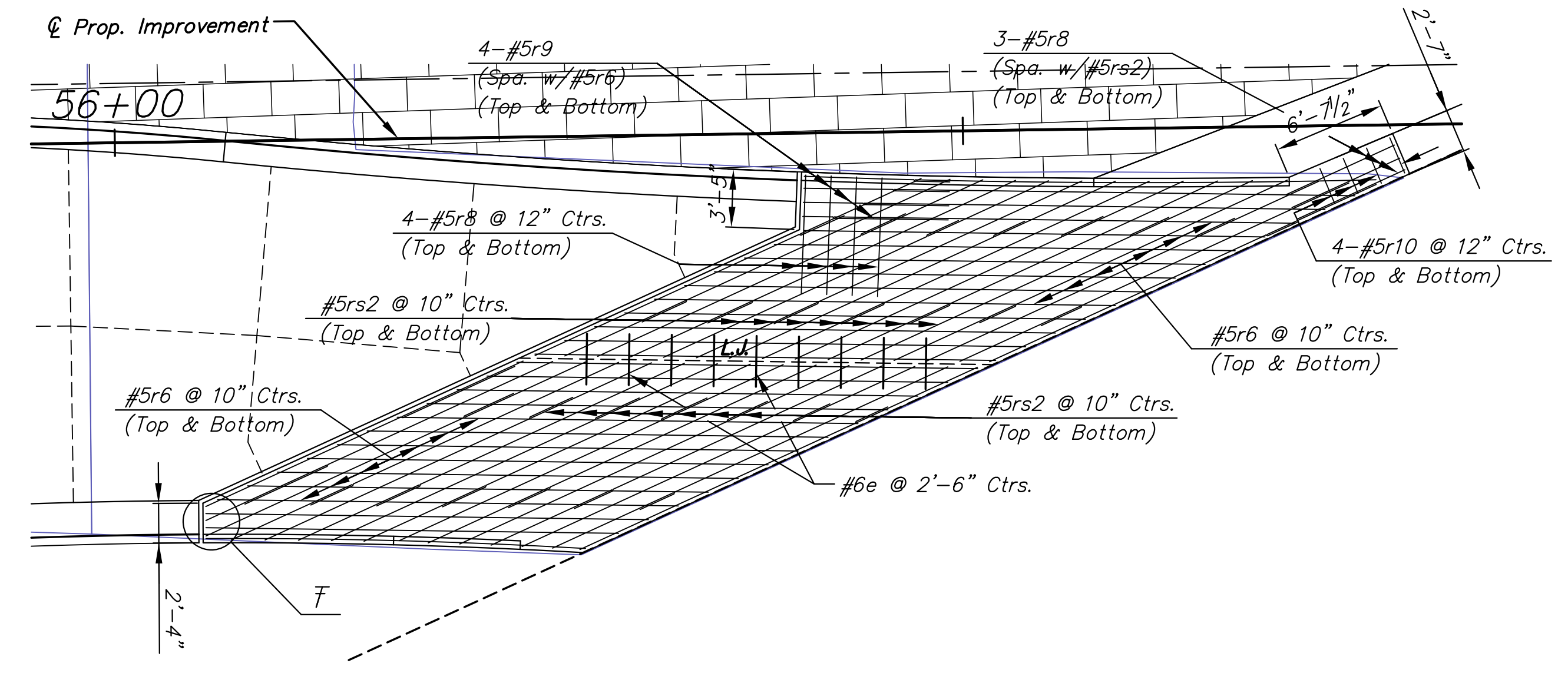
STATE	PROJECT NO.	YEAR	SHEET NO.	TOTAL SHEETS
KANSAS	87 N-0597-01	2016	56	191



Note: See Sheet 55 for General Notes, Railroad General Notes and Example Cutting and Bending Details.

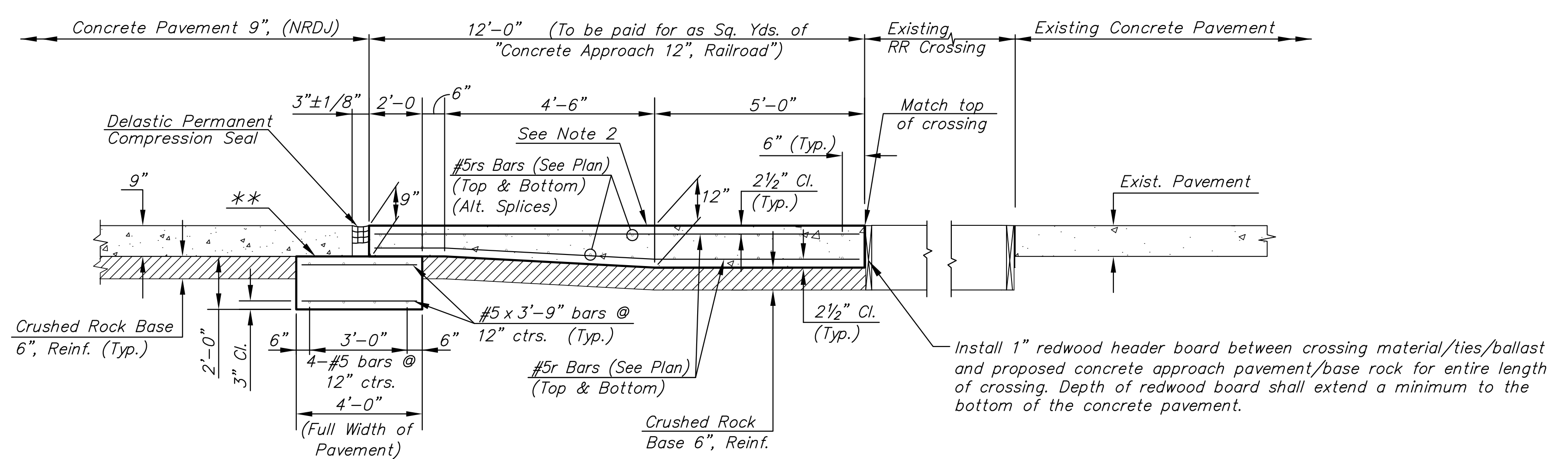


RAILROAD APPROACH SLAB PLAN
(HYDRAULIC)(SOUTHBOUND)
(See Sheet No. 48 for spot elevations)



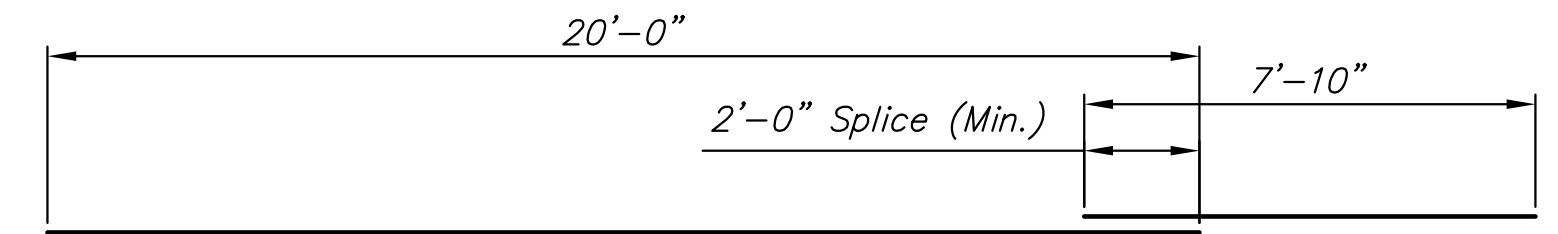
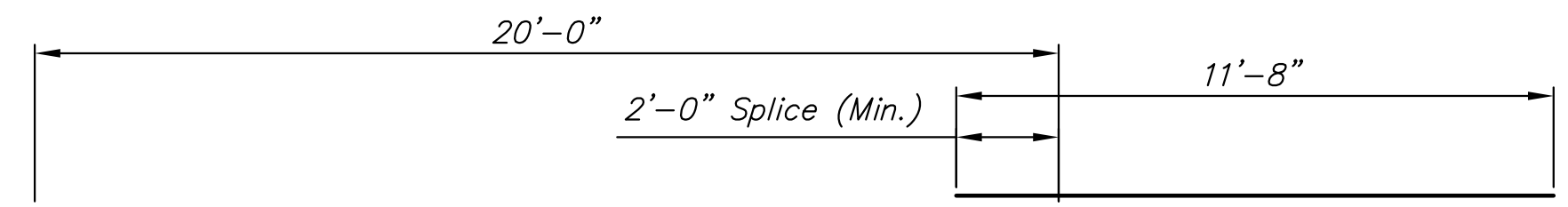
RAILROAD APPROACH SLAB PLAN
(HYDRAULIC)(NORTHBOUND)
(See Sheet No. 48 for spot elevations)

- NOTES:
1. Transverse reinforcing is placed parallel to the skew.
 2. Longitudinal reinforcing is normal to \perp Prop. Impr.
 3. All longitudinal joints shall be formed joints.



TYPICAL FOOTING
Paid for as Cu. Yds. "Concrete Approach Footing, Railroad".
SECTION at HYDRAULIC AVE
(Perpendicular to Railroad)

** Heavy Coating Bituminous Bond Breaker or smooth steel trowel and coat with curing compound.



BENDING DIAGRAMS

BILL OF MATERIALS (BOTH APPROACH SLABS)									
Bar Schedule									
△ See Bending Diagram									
Bar	e	△ rs1	△ rs2	r5	r6	r7	r8	r9	r10
No.	19	56	14	60	56	10	30	8	16
Size	#6	#5	#5	#5	#5	#5	#5	#5	#5
Length	3'-0"	31'-8"	27'-10"	29'-8"	27'-2"	12'-6"	7'-0"	8'-7"	2'-3"

STREET IMPROVEMENTS FOR:
PAWNEE AVENUE
FROM HYDRAULIC TO POPLAR
WICHITA, KANSAS

©2013 MKEC Engineering All Rights Reserved
www.mkec.com
These drawings and their contents, including, but not limited to, all concepts, designs, & ideas are the exclusive property of MKEC Engineering (MKEC), and may not be used or reproduced in any way without the express consent of MKEC.

RAILROAD APPROACH SLABS HYDRAULIC

PROJECT NO.	87 N-0597-01	
DATE	DATE	
SCALE	NO SCALE	
DESIGNED	DRAWN	CHECKED
KJS	DMU	JRA

NO. REVISION DATE

SHEET NO.