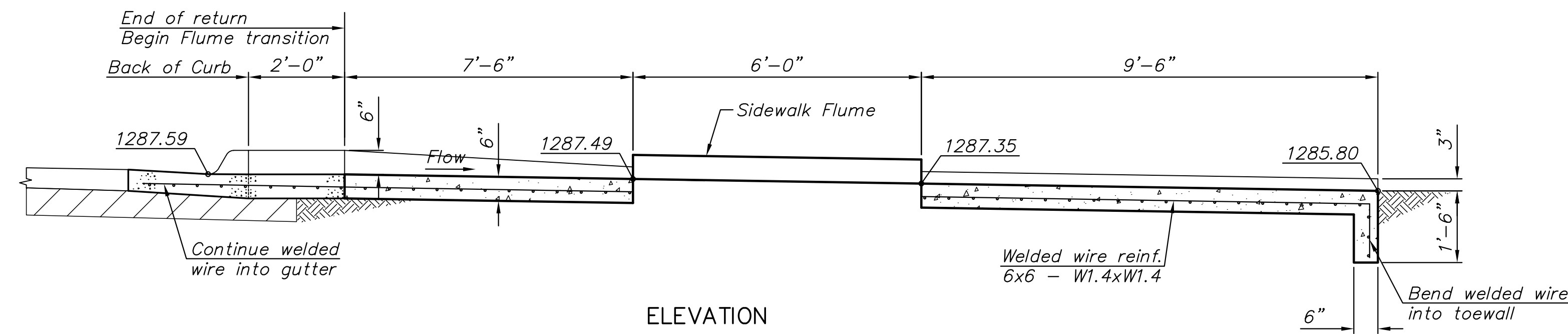


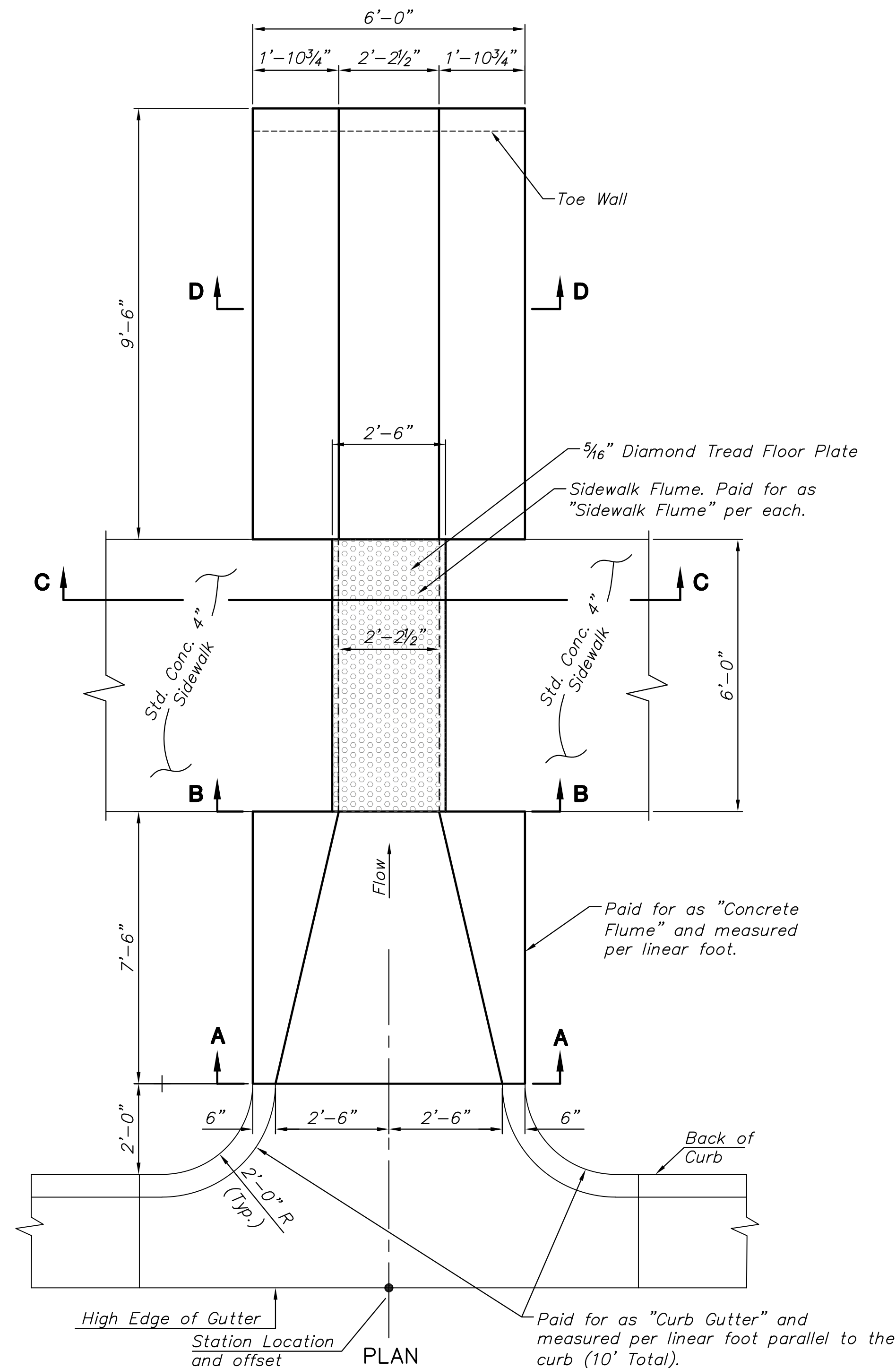
PLOTTED: Monday, May 09, 2016 @ 8:31PM

J:\CIVIL\05745\DWGS\05745 FLUME DETAIL.DWG

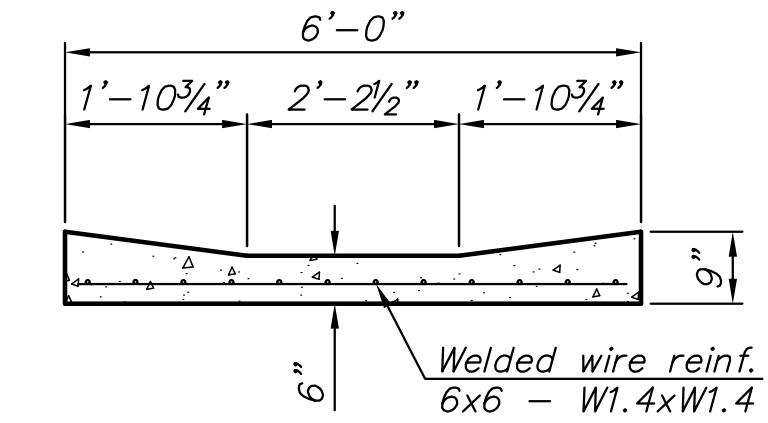
| | | | | |
|--------|--------------|------|-----------|--------------|
| STATE | PROJECT NO. | YEAR | SHEET NO. | TOTAL SHEETS |
| KANSAS | 87 N-0597-01 | 2016 | 67 | 191 |



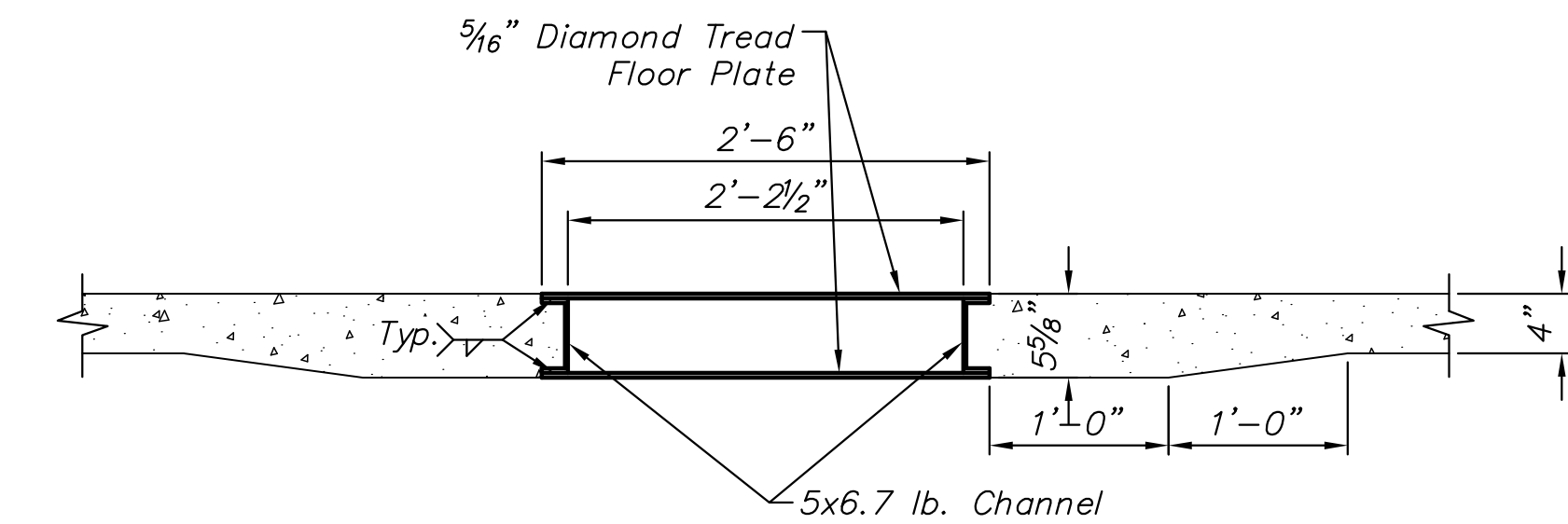
ELEVATION



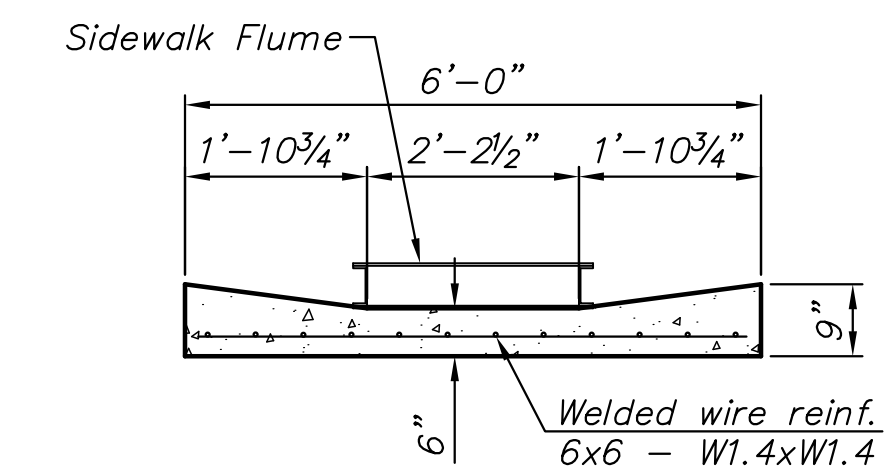
CONCRETE FLUME AND SIDEWALK FLUME DETAIL



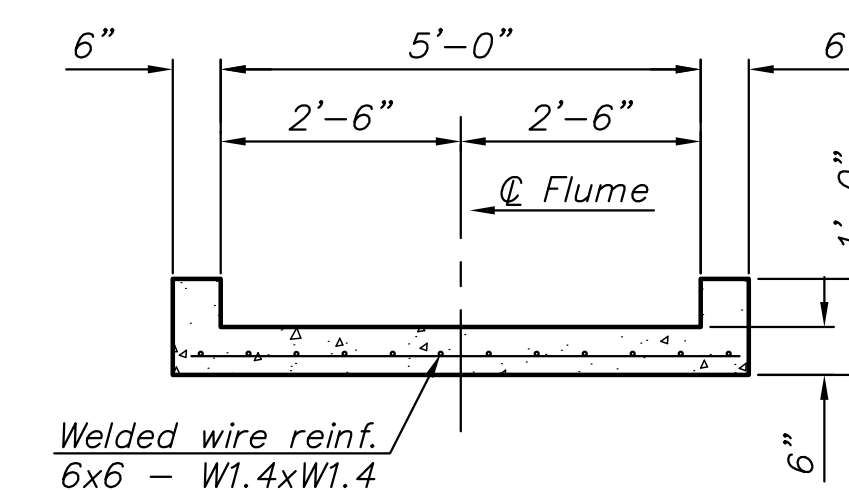
SECTION D-D



SECTION C-C



SECTION B-B



SECTION A-A

STREET IMPROVEMENTS FOR:
PAWNEE AVENUE
FROM HYDRAULIC TO POPLAR
WICHITA, KANSAS

©2013 MKEC Engineering All Rights Reserved
www.mkec.com
These drawings and their contents, including, but not limited to, all concepts, designs, & ideas are the exclusive property of MKEC Engineering (MKEC), and may not be used or reproduced in any way without the express consent of MKEC.

CONCRETE FLUME AND SIDEWALK FLUME

| | | |
|-------------|--------------|---------|
| PROJECT NO. | 87 N-0597-01 | |
| DATE | DATE | |
| SCALE | NO SCALE | |
| DESIGNED | DRAWN | CHECKED |
| JRA | JSB | JRA |

| | | |
|-----|----------|------|
| NO. | REVISION | DATE |
| | | |
| | | |

SHEET NO.