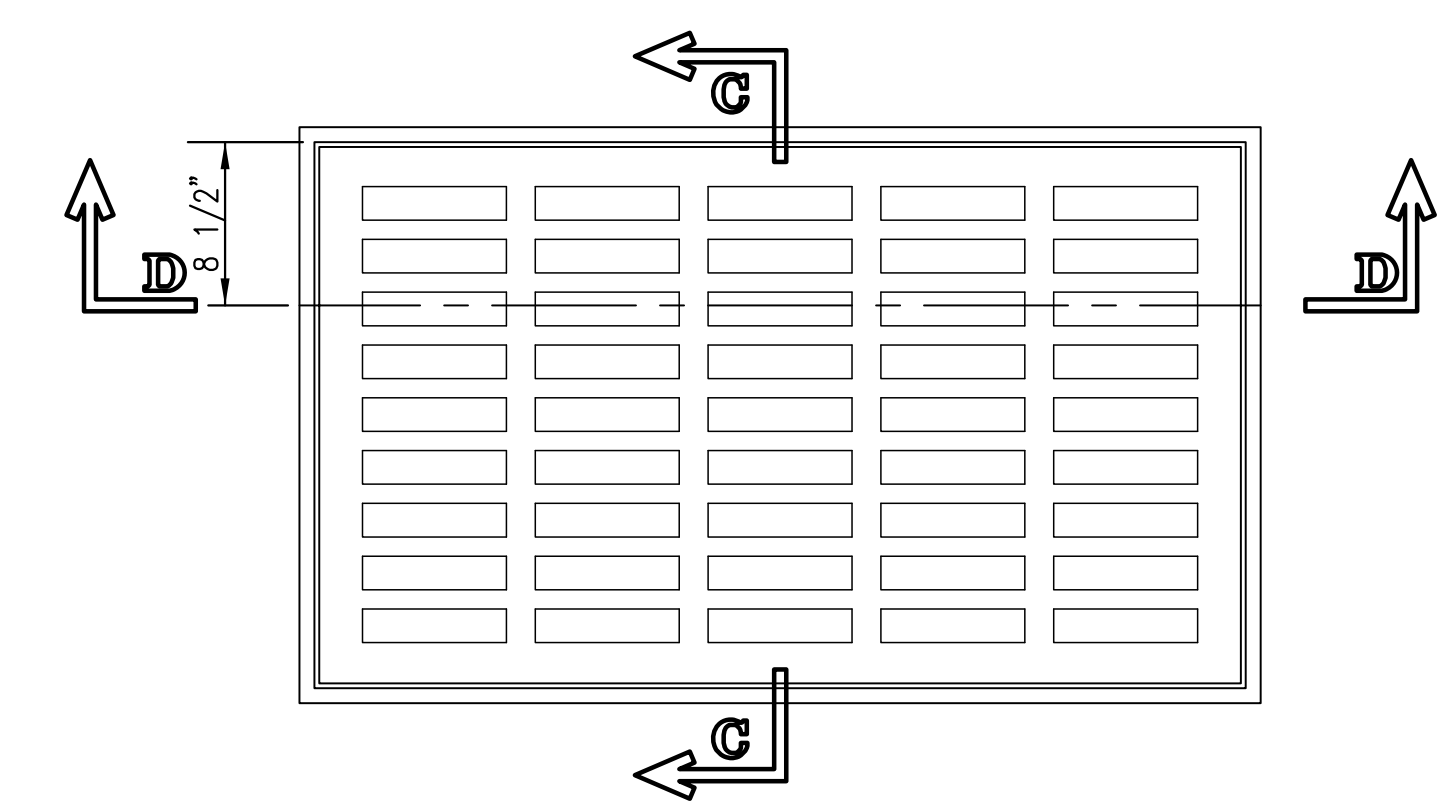
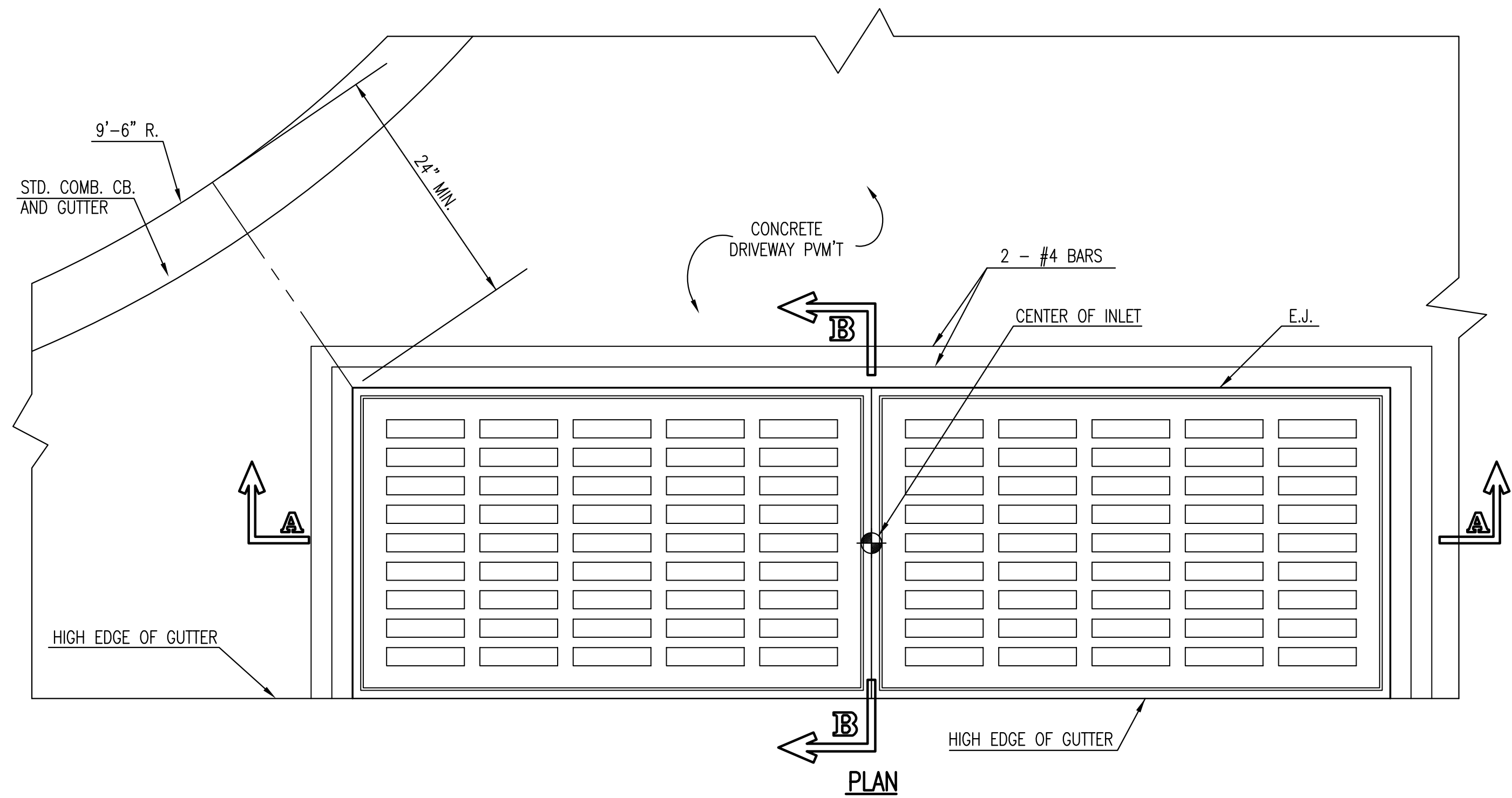


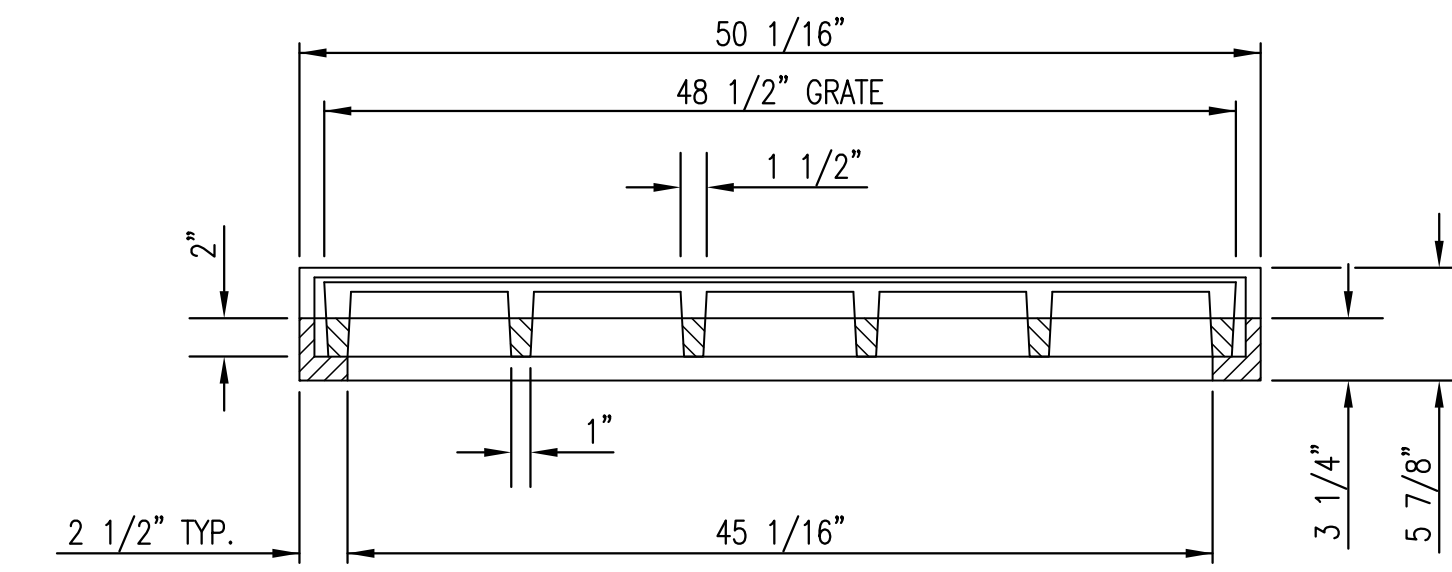
| STATE | PROJECT NO. | YEAR | SHEET NO. | TOTAL SHEETS |
|--------|--------------|------|-----------|--------------|
| KANSAS | 87 N-0597-01 | 2016 | 73 | 191 |

GENERAL NOTES

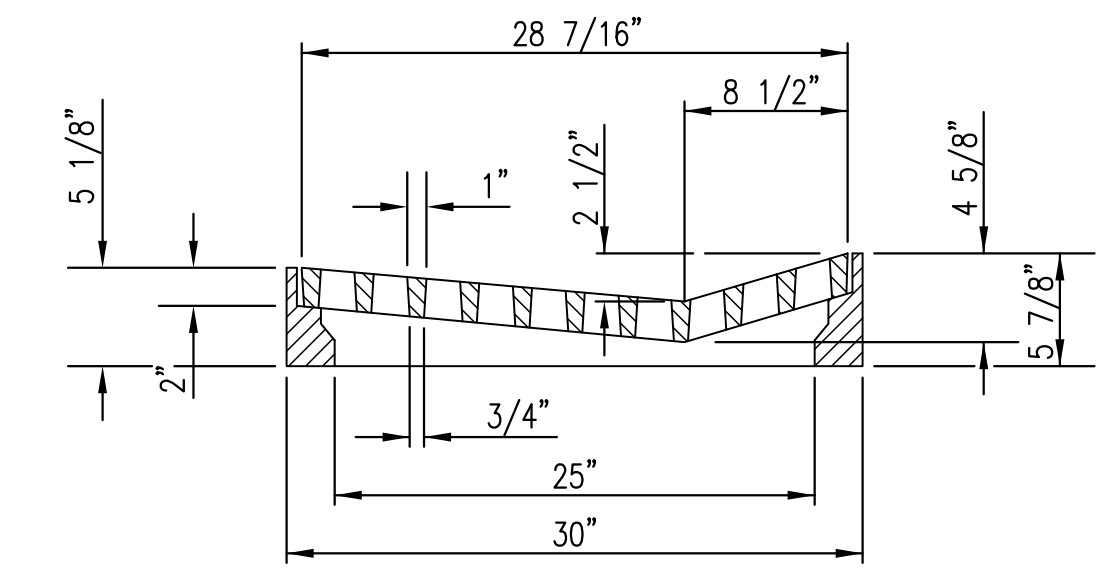
- GRATE FRAME TO BE INSTALLED ON THIN MORTAR CUSHION TO INSURE FULL SUPPORT ALONG BRICK. CONCRETE USED FOR INLET CONSTRUCTION SHALL CONFORM TO CITY OF WICHITA SPECIFICATIONS FOR CONCRETE PAVEMENT MIX.
- CONTRACTOR SHALL HAVE THE OPTION OF CONSTRUCTING 8" BRICK MASONRY WALL BETWEEN THE CONCRETE INLET BASE AND TOP OF THIS INLET WHEN H=7'-0" OR LESS.
- INLET INVERT SHALL BE SHAPED WITH 8 SACK SAND MIX CONCRETE TO CREATE FLOW CHANNELS AND TO INCREASE HYDRAULIC EFFICIENCY SUCH THAT THE INLET WILL BE SELF CLEANING BETWEEN ALL INLET AND/OR OUTLET PIPES.
- THE ENDS OF ALL PIPES INSTALLED IN INLETS SHALL BE CUT OFF FLUSH WITH THE INSIDE FACE OF THE INLET WALL.
- INLET FRAME AND GRATE TO BE DEETER #2095, EJIW #7392, OR APPROVED EQUAL.
- CONTRACTOR SHALL REMOVE LIFTING HOOKS AFTER INSTALLATION. RECESSES IN INLET WALL SHALL BE GROUTED FLUSH TO THE INLET WALL WITH HYDRAULIC CEMENT AFTER THE INLET IS IN PLACE. LIFTING HOLES THRU THE INLET WALL WILL NOT BE ACCEPTED.



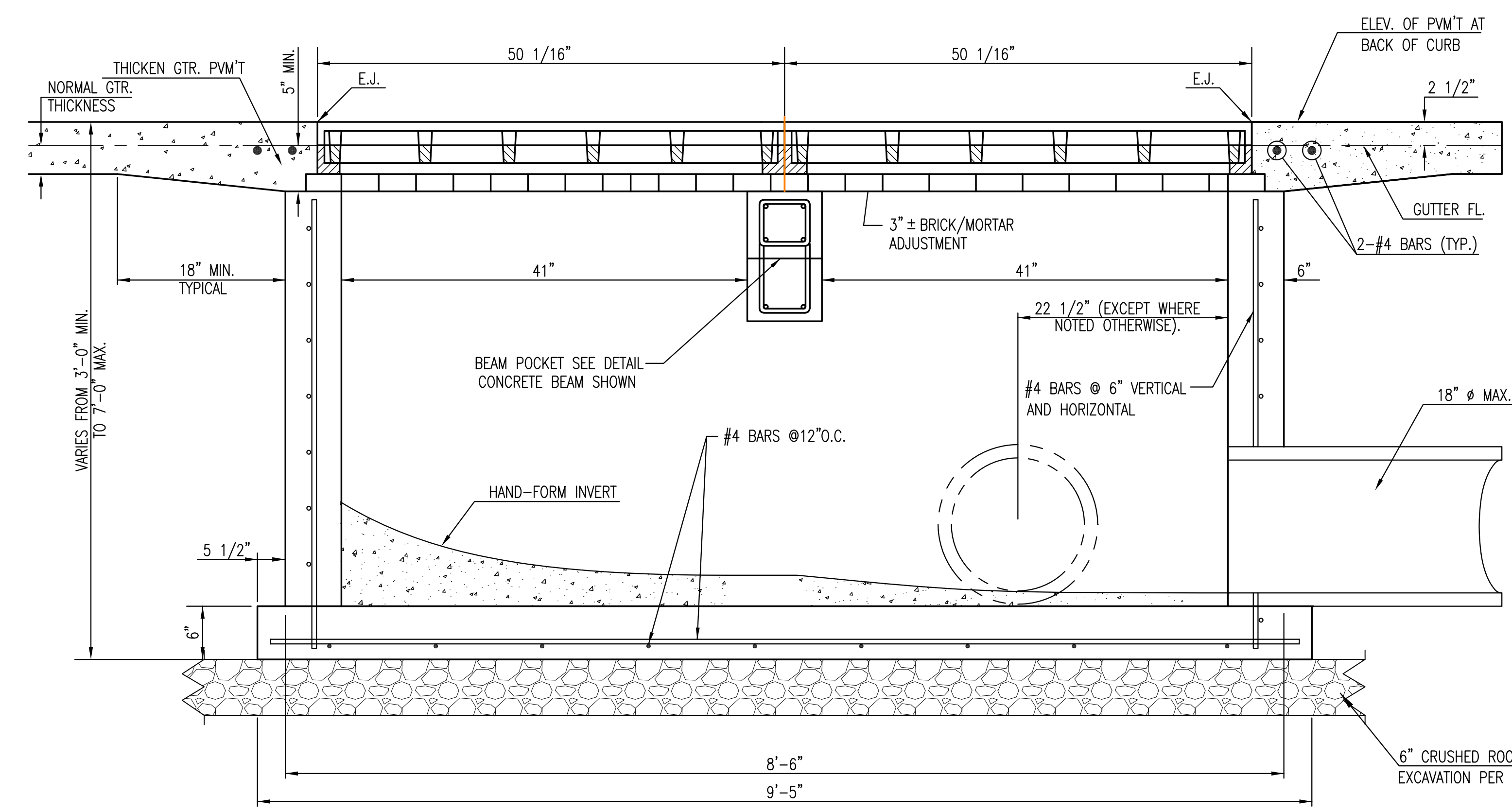
PLAN
DEETER #2095 FRAME & GRATE
 TOTAL WEIGHT: 705 LBS.
 (2 EACH REQUIRED)
 OR EJIW #7392



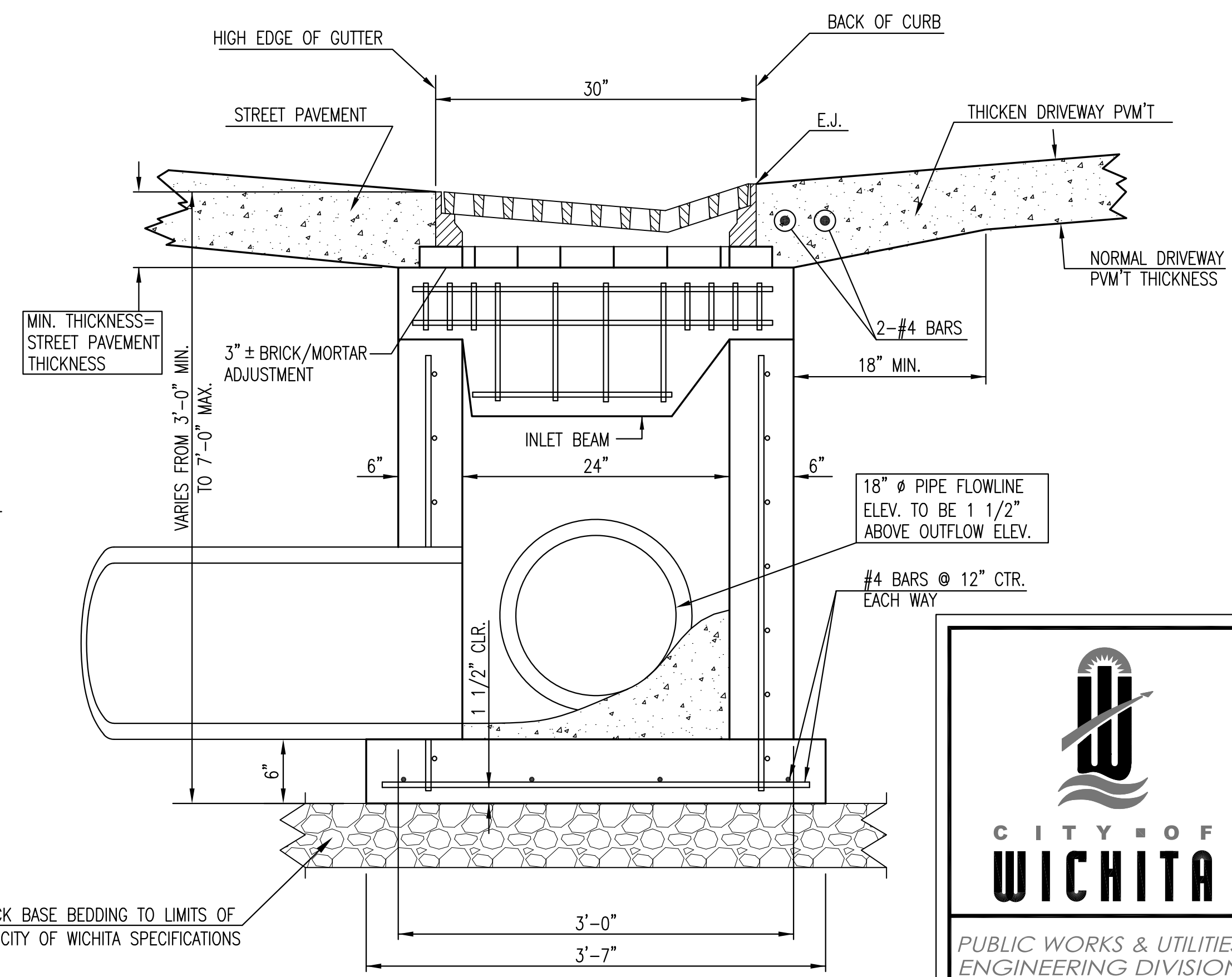
SECTION D-D



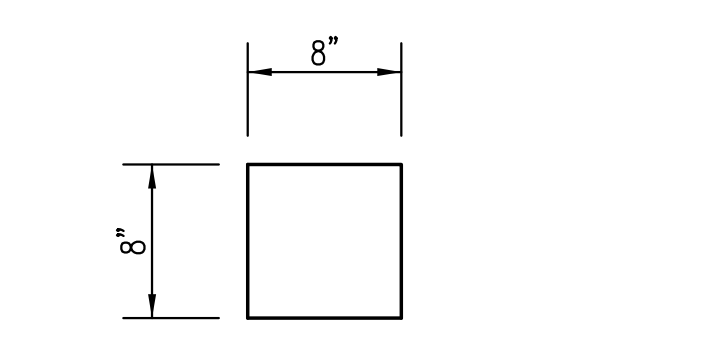
SECTION C-C



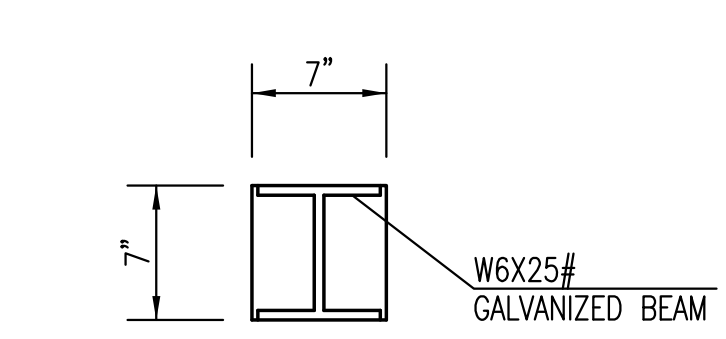
SECTION A-A



SECTION B-B



CONCRETE BEAM POCKET



CALV. STEEL BEAM POCKET



REVISED: MARCH 2015

GRADED DRIVEWAY INLET (DOUBLE)

CITY ENGINEER
GARY JANZEN, P.E.

| | | |
|-----------------------------|----------------------|--------------|
| PROJECT NUMBER 472-84303 | OCA NUMBER 707048 | DATE DATE |
|-----------------------------|----------------------|--------------|

CITY ENGINEER'S OFFICE
 CITY HALL - SEVENTH FLOOR
 455 NORTH MAIN STREET
 WICHITA, KANSAS 67202-1620
 (316) 268-4501

SHEET
73 OF 191

PLOTTED: Monday, May 09, 2016 @ 01:53PM
 J:\CIVIL\05745\SW-109-GRATED DRIVEWAY INLET (DOUBLE).DWG